

## **WARRANTY**

We strive to offer high-quality products, and we also try our best to satisfy each and every customer that orders from us with product or service as needed. We provide 30 days warranty starting from the time you receive the item. Each customer must provide a record of their order such as the order number, or item receipt for any items that are out of the warranty period you may also still receive replacement parts by purchasing them with our company if they are available.

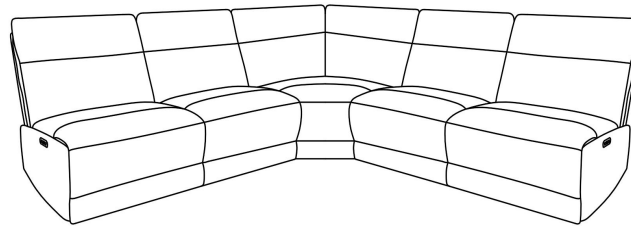
**Are you having difficulty  
with assembly? Missing parts?**

**Please send email with your order No to  
customerservice@hulalahome.com**

**For return, please check the return policy with  
the retailer or market place you bought from.**

**Appreciate your purchasing from us.  
Pop up your life by our furniture piece!**

**HULALA**  
H O M E



**ITEM NO. SFBR1063**

### **NOTE:**

This brochure contains IMPORTANT safety info. Please read and keep for future reference.

## MAINTAINANCE AND WARNING


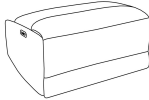

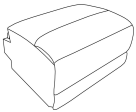


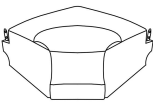
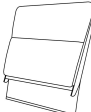



- Keep furniture away from heat.
- Do not clean furniture with harsh cleansers or polish. Do not use detergents, Solvents, abrasives, spray packs or leather cleaner. Use non-color mild soap with warm water clean spills(Mix 1:10 soap to water)
- Do not place furniture under direct sunlight, material will possibly fade over time.
- Do not use on site dry Cleaning machine.
- Children should not climb or jump on the furniture.
- Do not write on furniture without a padded barrier to protect the surface.
- Not for commercial use, For residential use only.

Weight Limitation



**1500LBS**

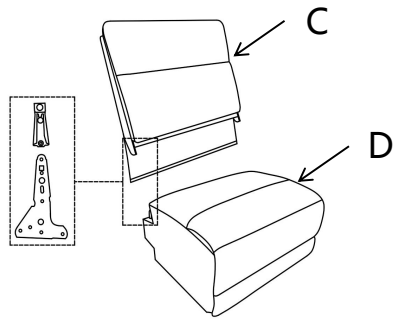
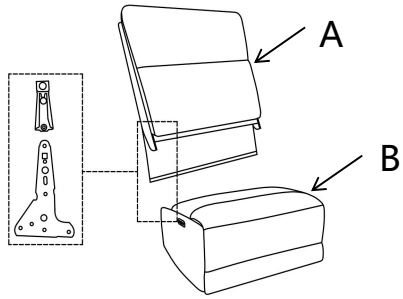
## PARTS LIST

A	X1	B	X1	C	X2
					
Back cushion		Seat frame		Back cushion	
D	X2	E	X1	F	X1
					
Seat frame		Back cushion		Back cushion	
G	X1	H	X1	I	X1
					
Seat frame		Back cushion		Seat frame	
J	X2	K	X2		
					
Power cord		Transformer			

Persons Required For Assembly :

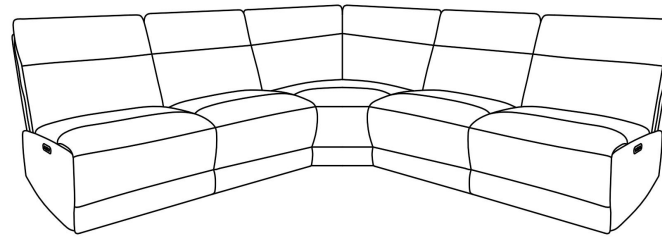


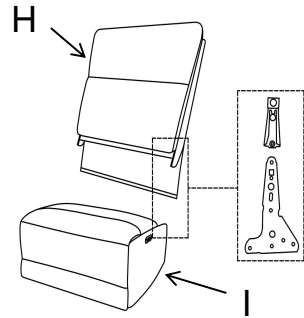
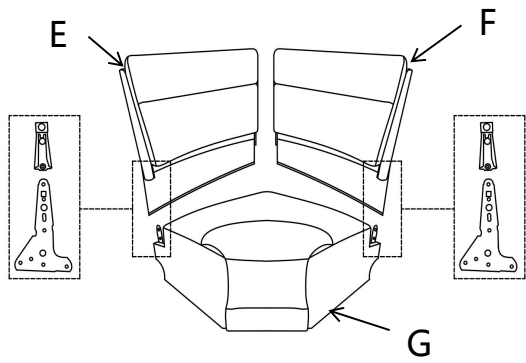
## ASSEMBLY INSTRUCTIONS



## ASSEMBLY INSTRUCTIONS

**Assembling  
method:1**



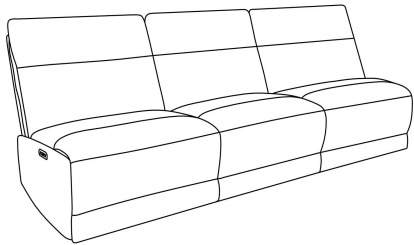


**STEP 1:** Assembly Backrest

**STEP 2:** Assembly completed

## ASSEMBLY INSTRUCTIONS

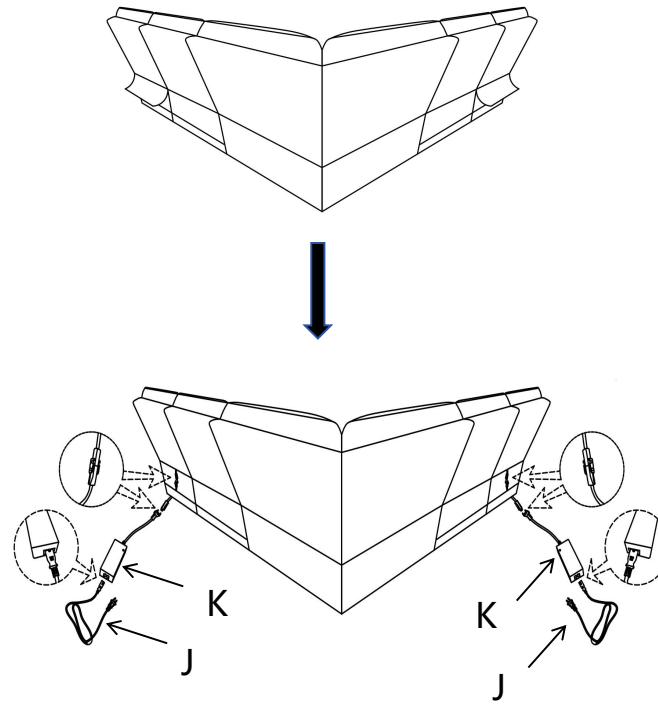
Assembling method:2



STEP 2: Assembly completed

## ASSEMBLY INSTRUCTIONS

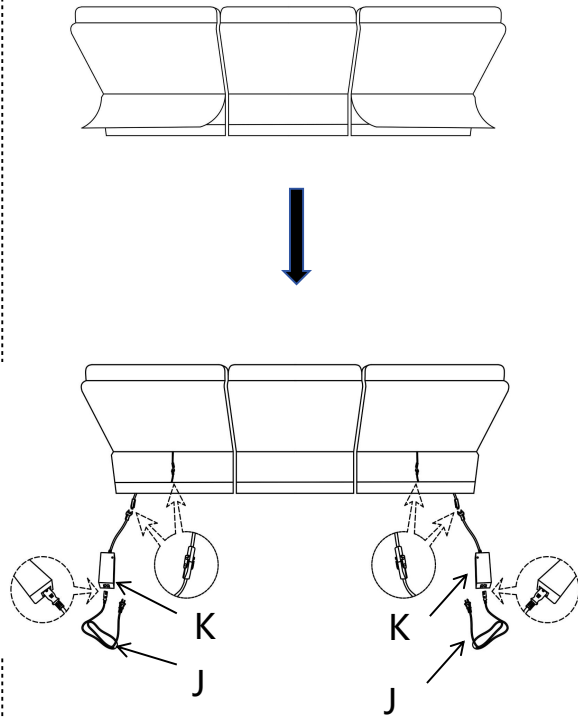
Assembling method:1



STEP 3: Power connection

## ASSEMBLY INSTRUCTIONS

### Assembling method:2



**STEP 3:**Power connection