

## WARRANTY

- 1.We strive to offer high-quality products,and we also try our best to satisfy each and every customer that orders from us with product or service as needed.
- 2.We provide 30 days warranty starting from the time you receive the item.Each customer must provide a record of their order such as the order number,or item receipt for an items that are out of the warranty period you may also still receive.
- 3.Replacement parts by purchasing them with our company if they are available.

Are you having difficulty  
With assembly?Missing parts?  
Please send email with your order No to  
[customerservice@hulalahome.com](mailto:customerservice@hulalahome.com)

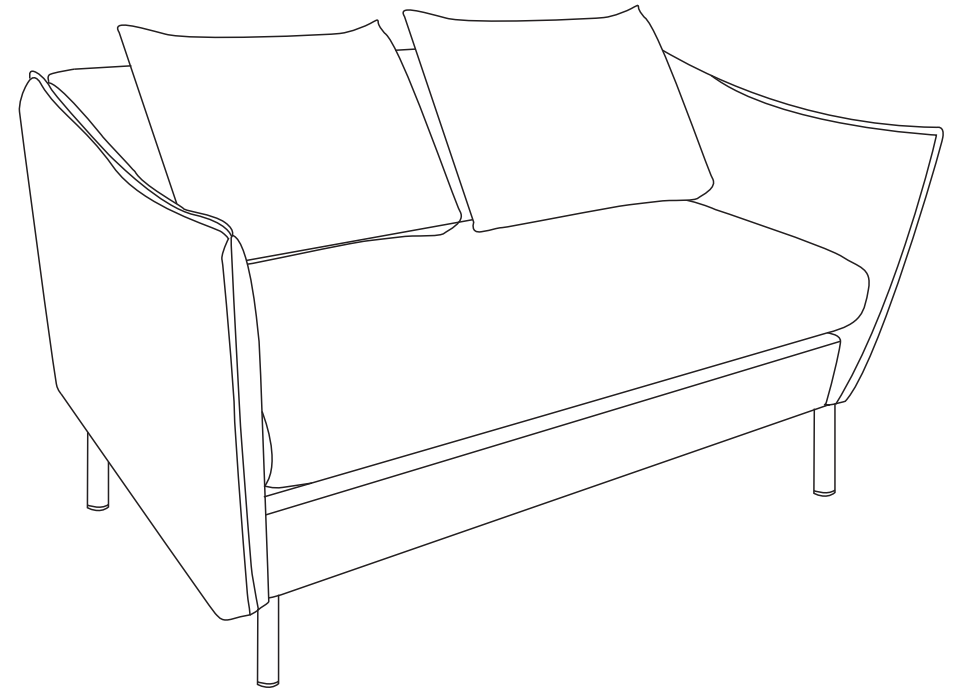
For return,please check the return policy with  
the retailer or market place you bought from.

Appreciate your purchasing from us.  
Pop up your life by our furniture piece!

# HULALA

---

H O M E



## ITEM NO.SFM1159

---

### NOTE:

---

This brochure contains IMPORTANT safty info. Please read  
and keep for future reference.

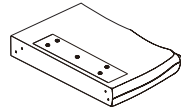
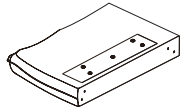
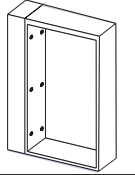
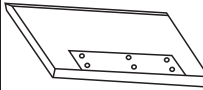

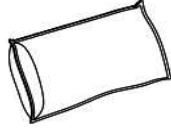
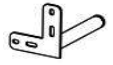
---

## MAINTAINANCE AND WARNING


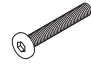



- 1.Keep furniture away from heat sources.
- 2.Do not clean furniture with harsh cleaner or polishes.Do not use detergents,solvents,abrasives,spray packs or leather cleaner. Use non-color mild soa with warm water to clean spills(Mix 1:10 soap to water).
- 3.Do not place furniture under direct sunlight,material will possibly fade over time.
- 4.Do not use on site dry cleaning machine.Children should not climb or jump on the furniture.
- 5.Do not write on furniture that is not protectedby a padded barrier.
- 6.Not for commercial use,only for residential use.




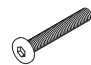


## PARTS LIST

A	x1	B	x1	C	x1	D	x1
							
Right arm		Left arm		Seat Frame		Backrest	
E	x1	F	x2	G	x4		
							
Seat Cushion		Back Cushion		Legs			

## HARDWARE LIST

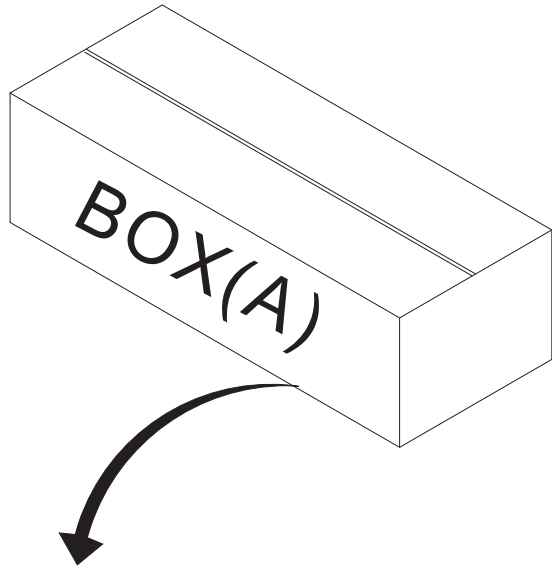
#1	x16	#2	x16	#3	x16	#4	x1	#5	x1
									
Bolt M6*20		Bolt M8*65		Flat washer		Allen Key M6		Allen Key M8	

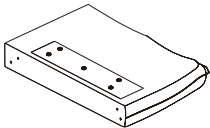
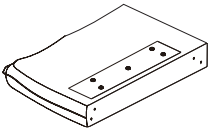
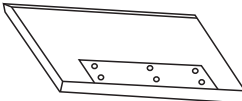
## HARDWARE SPARE LIST

#1	x1	#2	x1	#3	x1	#6	x1
							
Bolt M6*20		Bolt M8*65		Flat washer		Adjust the leg	

# ASSEMBLY INSTRUCTIONS

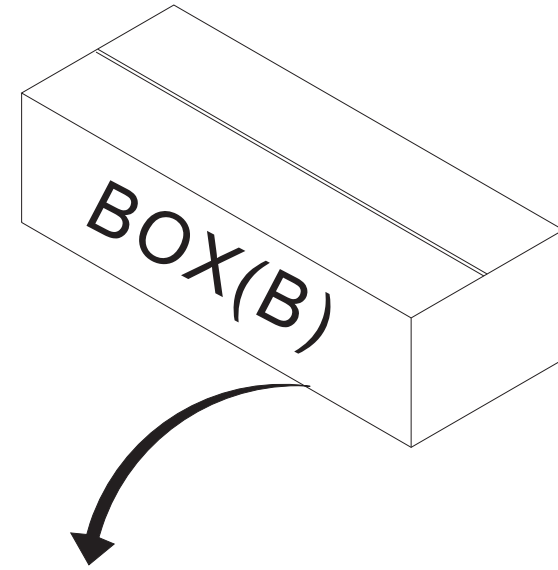
## STEP-1

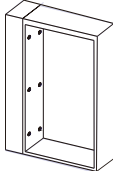
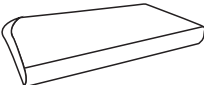










A	x1	B	x1	D	x1
					
Right arm		Left arm		Backrest	

# ASSEMBLY INSTRUCTIONS


## STEP-2

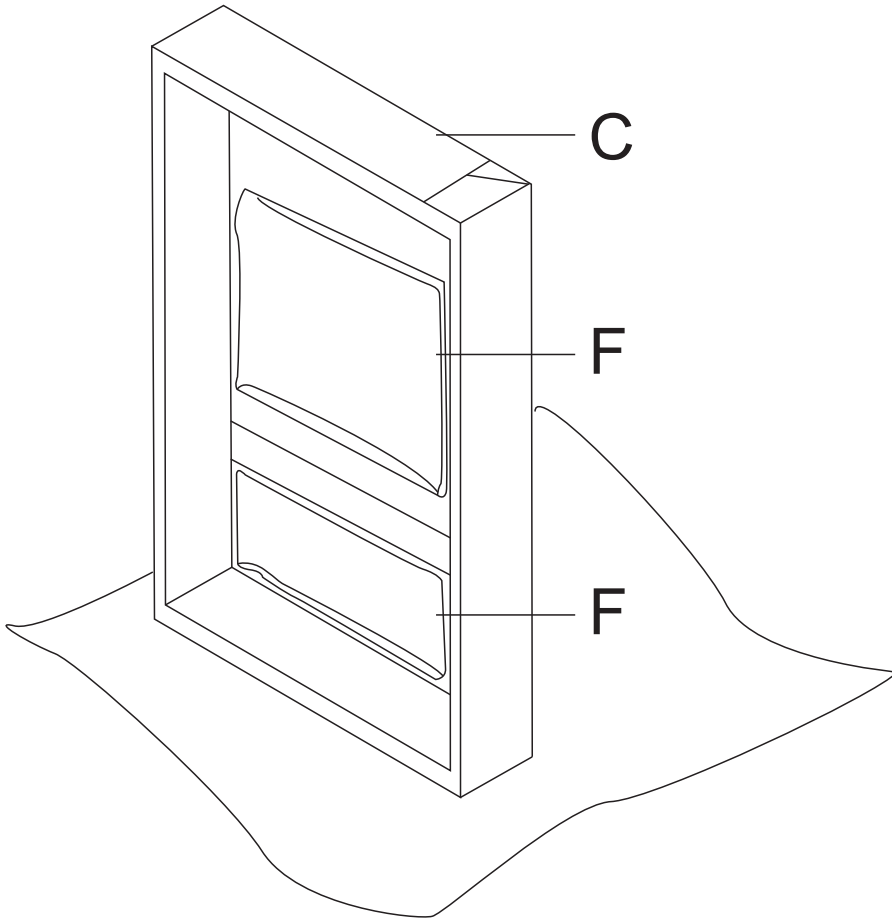


C	x1	E	x1	F	x2	G	x4				
											
Seat Frame		Seat Cushion		Back Cushion		Legs					
#1	x17	#2	x17	#3	x17	#4	x1	#5	x1	#6	x1
											
Bolt		Bolt		Flat washer		Allen Key		Allen Key		Adjust the leg	
M6*20		M8*65				M6		M8			

# ASSEMBLY INSTRUCTIONS

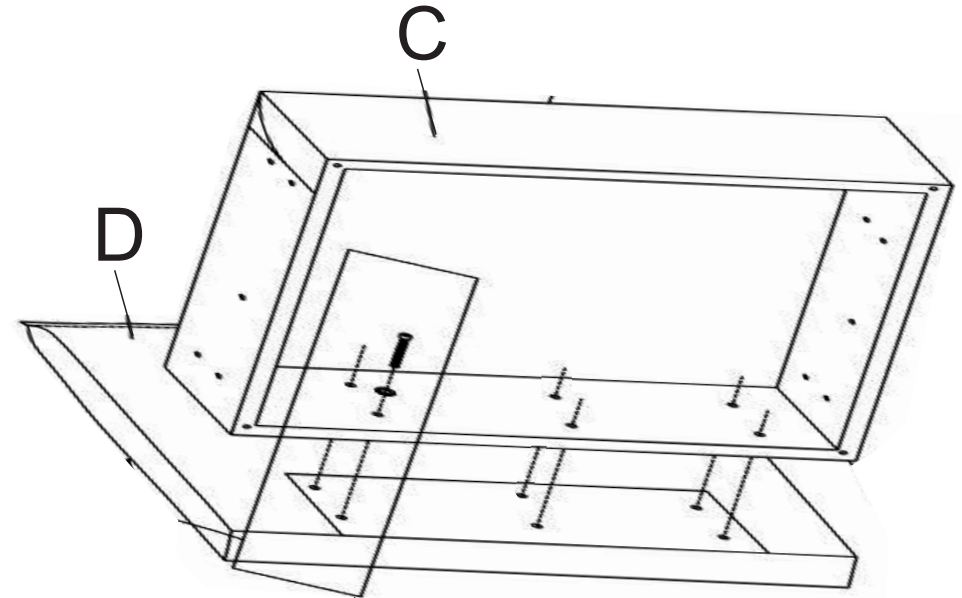
## STEP-3

  
 First turn the cushions C over,  
 Then take out the throw pillows F.

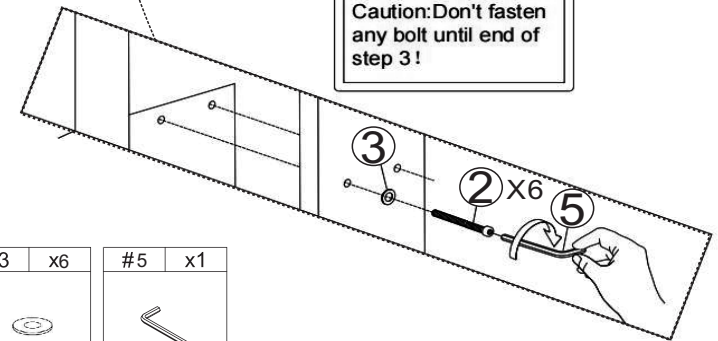





# ASSEMBLY INSTRUCTIONS

## STEP-4



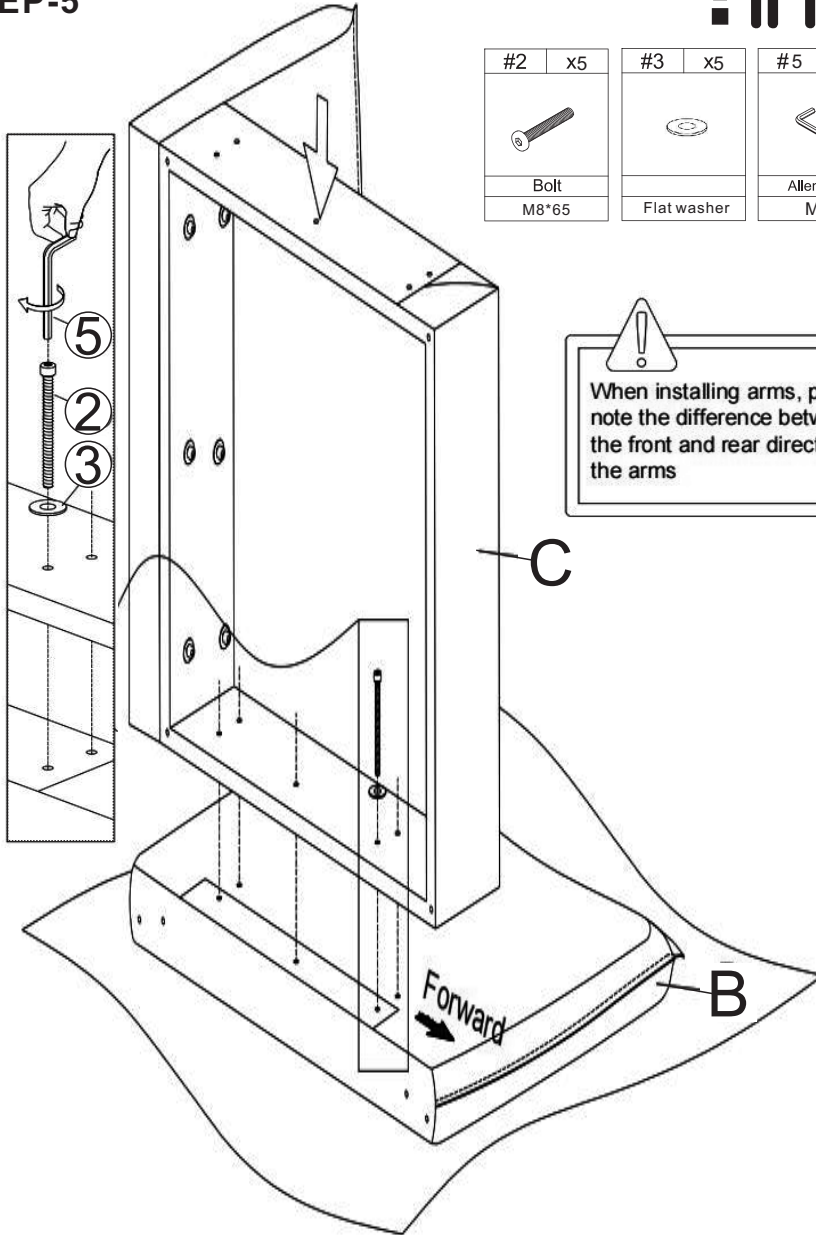
  
 Caution: Don't fasten  
 any bolt until end of  
 step 3!



#2	x6	#3	x6	#5	x1
					
Bolt		Flat washer		Allen Key	
M8*65				M8	

# ASSEMBLY INSTRUCTIONS

## STEP-5



#2	x5	#3	x5	#5	x1
Bolt M8*65		Flat washer		Allen Key M8	

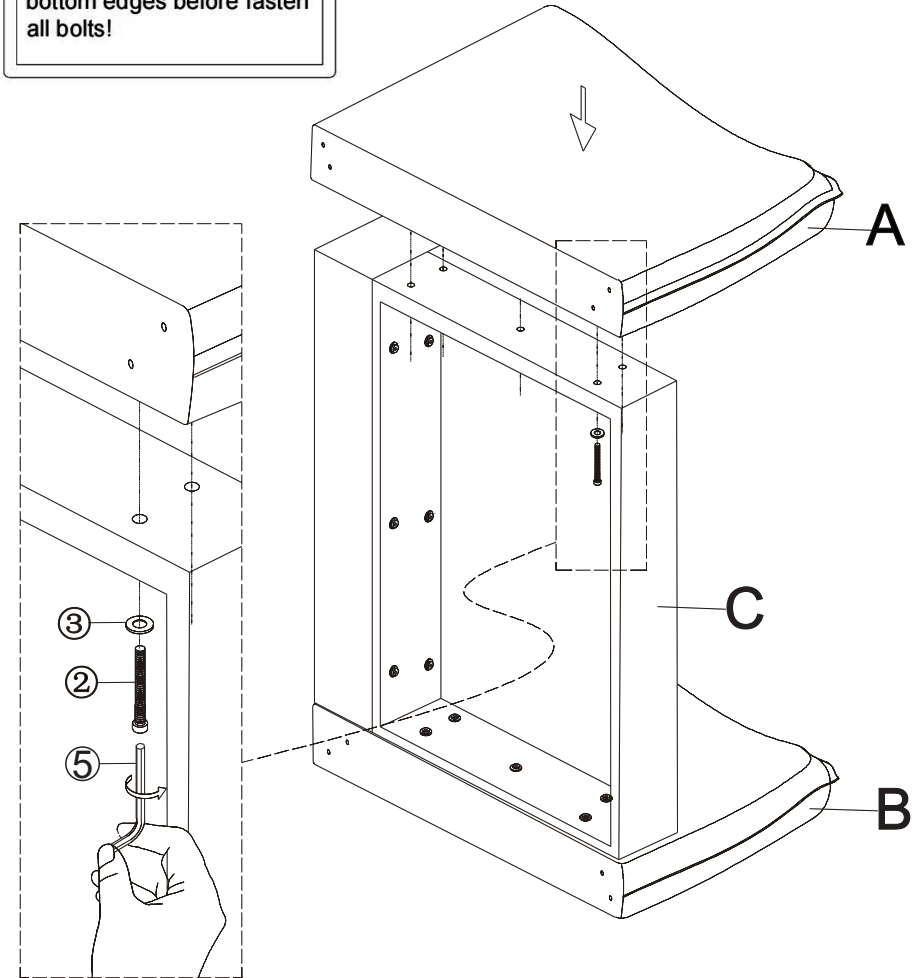
**!**  
When installing arms, please note the difference between the front and rear direction of the arms

# ASSEMBLY INSTRUCTIONS

## STEP-6

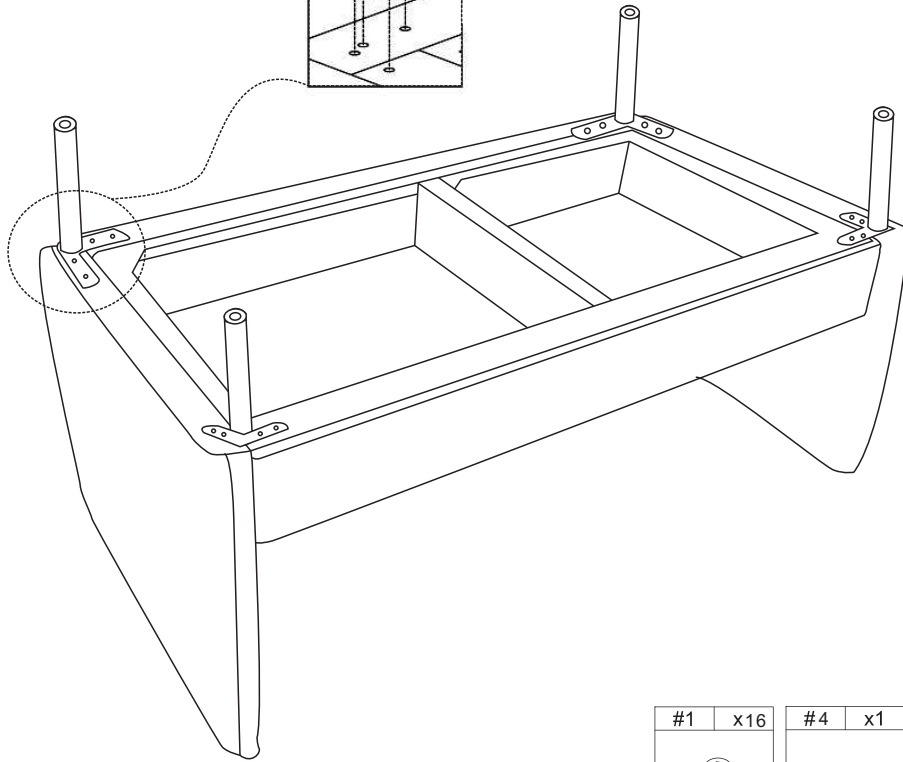
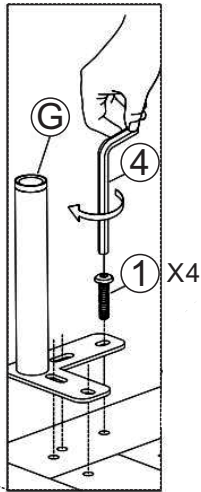
**!**  
Caution: Make sure armrest and seat frame flush on bottom edges before fasten all bolts!



#2	x5	#3	x5	#5	x1
Bolt M8*65		Flat washer		Allen Key M8	



# ASSEMBLY INSTRUCTIONS

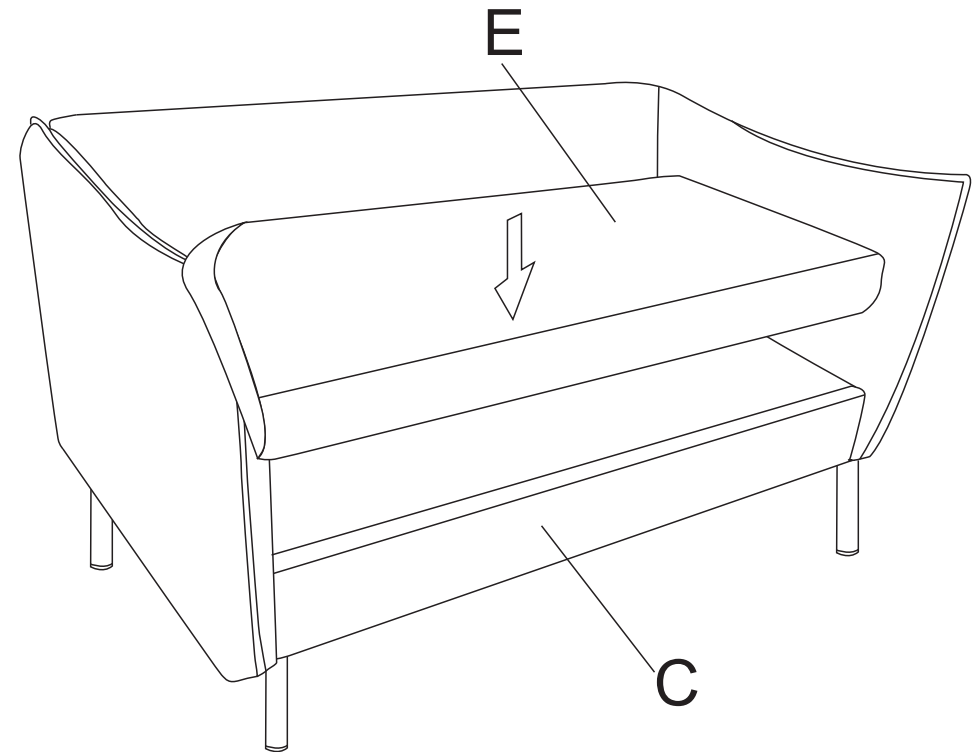
## STEP-7



#1	x16	#4	x1
			
Bolt		Allen Key	
M6*20		M6	

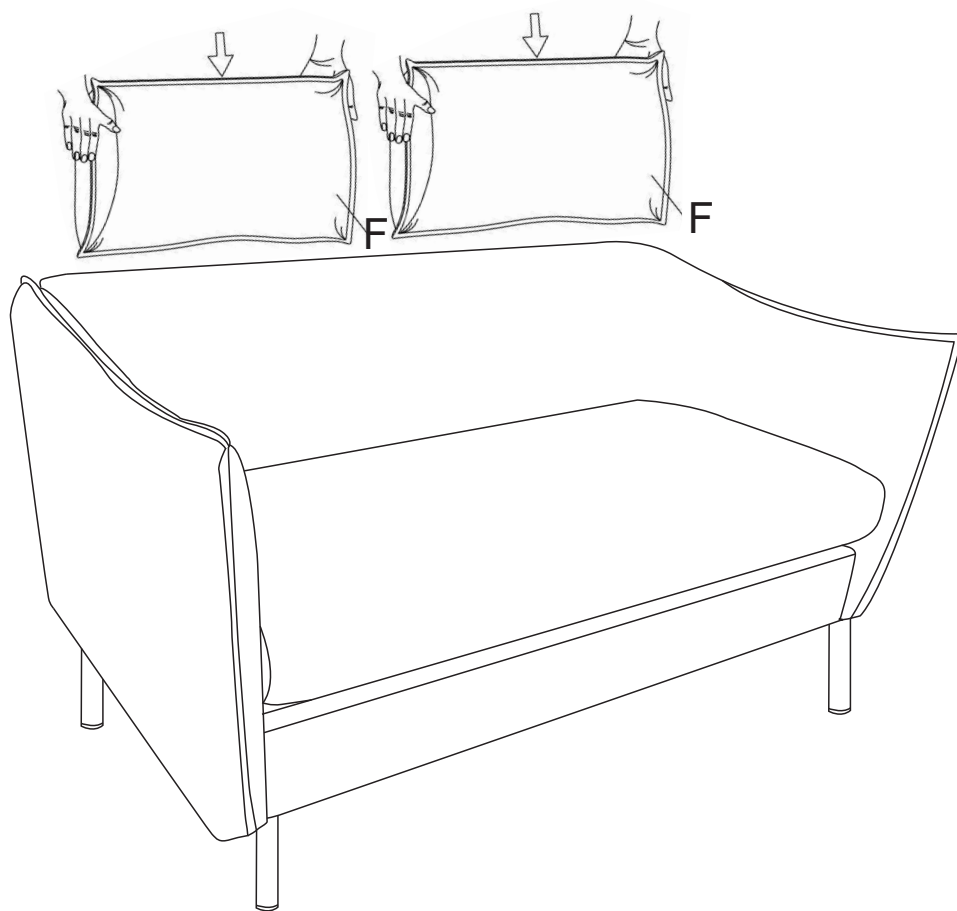
# ASSEMBLY INSTRUCTIONS

## STEP-8




# ASSEMBLY INSTRUCTIONS

## STEP-9



# ASSEMBLY INSTRUCTIONS

## STEP-10

  
Attention:  
After installation, adjust the adjustable leveler to keep the chair balanced.  
Be sure to check all packing material carefully for small parts, which may have come loose inside the carton during shipment.

