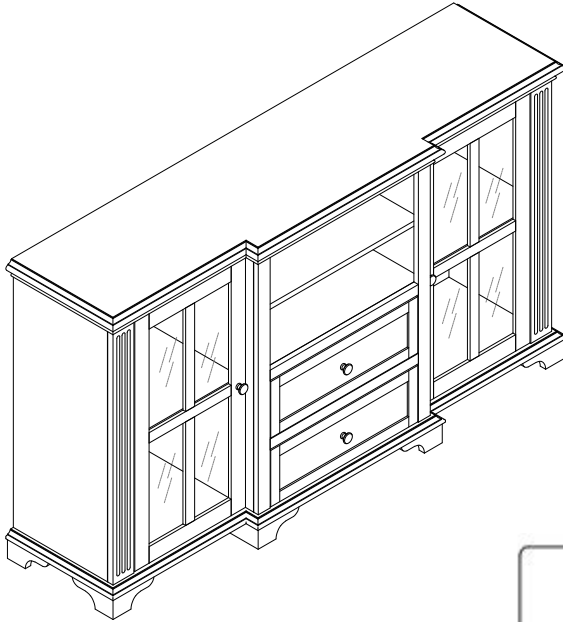
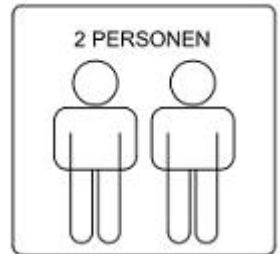


HULALA

H O M E



ITEM NO. TVHM0634



NOTE:

This brochure contains IMPORTANT safety info. Please read and keep for future reference.

MAINTAINANCE AND WARNING

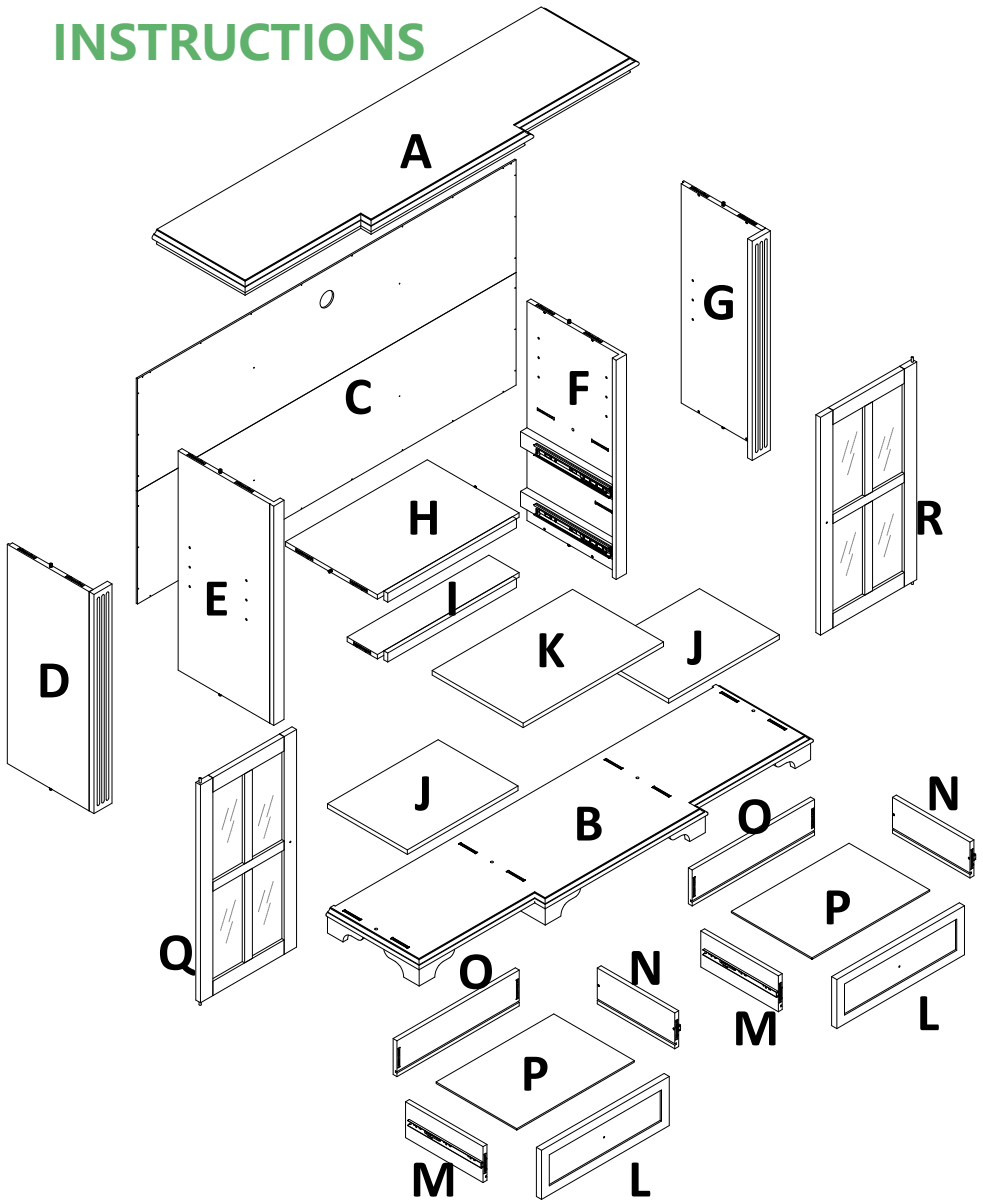
- Keep furniture away from heat.
- Do not clean furniture with harsh cleansers or polish. Do not use detergents, Solvents, abrasives, spray packs or leather cleaner. Use non-color mild soap with warm water clean spills(Mix 1:10 soap to water)
- Do not place furniture under direct sunlight, material will possibly fade over time.
- Do not use on site dry Cleaning machine.
- Children should not climb or jump on the furniture.
- Do not write on furniture without a padded barrier to protect the surface.
- Not for commercial use, For residential use only.



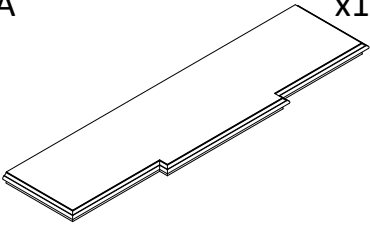
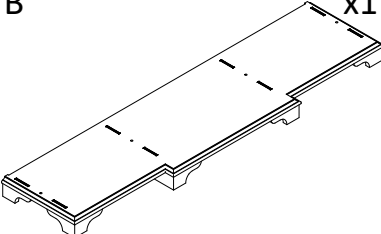
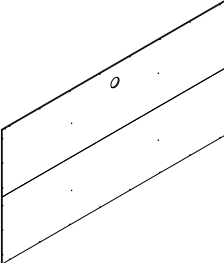
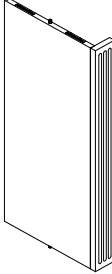
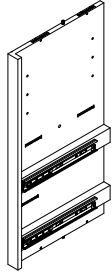
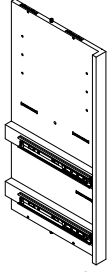
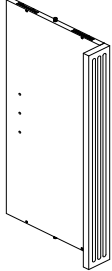
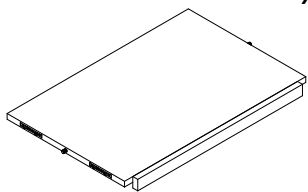
Weight Limitation

150LBS

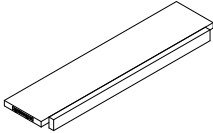
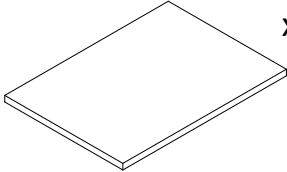
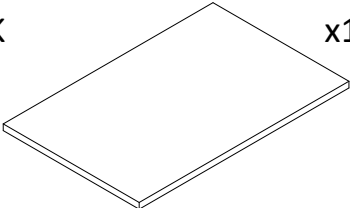
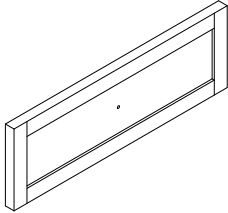
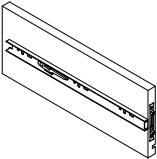
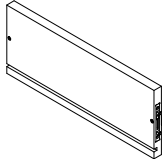
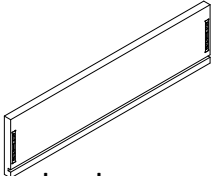
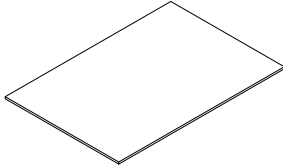
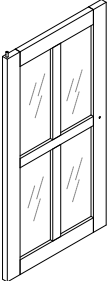
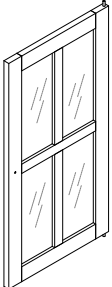
ASSEMBLY INSTRUCTIONS



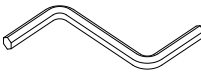
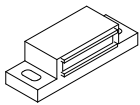
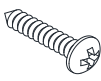

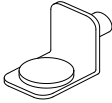

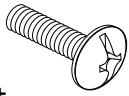
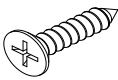
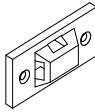
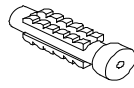


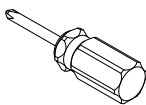
PARTS LIST

<p>A x1</p>  <p>Top panel</p>	<p>B x1</p>  <p>Bottom panel</p>
<p>C x1</p>  <p>Back panel</p>	<p>D x1</p>  <p>Left side panel</p>
<p>E x1</p>  <p>Middle vertical panel left</p>	<p>F x1</p>  <p>Middle vertical panel right</p>
<p>G x1</p>  <p>Right side panel</p>	<p>H x1</p>  <p>Fixed shelf panel</p>

PARTS LIST

<p>I  x1</p> <p>Front rail</p>	<p>J  x2</p> <p>Side adjustable panel</p>
<p>K  x1</p> <p>Middle adjustable panel</p>	<p>L  x2</p> <p>Drawer front</p>
<p>M  x2</p> <p>Drawer side left</p>	<p>N  x2</p> <p>Drawer side right</p>
<p>O  x2</p> <p>Drawer back</p>	<p>P  x2</p> <p>Drawer bottom</p>
<p>Q  x1</p> <p>Left door</p>	<p>R  x1</p> <p>Right door</p>

HARDWARE LIST

1  Allen wrench x1	2  Magnet x4	3  Screw ø3x15mm x38
4  Plastic circle x1	5  Shelf holder x12	6  Knob x4
7  bolt ø4x19mm x4	8  Screw ø3x15mm x4	9  Bracket x4
10  Expansion nut x4	11  Screw ø7x35mm x4	12  Plastic belt x2
13  Screwdriver x1		



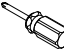
SPARE

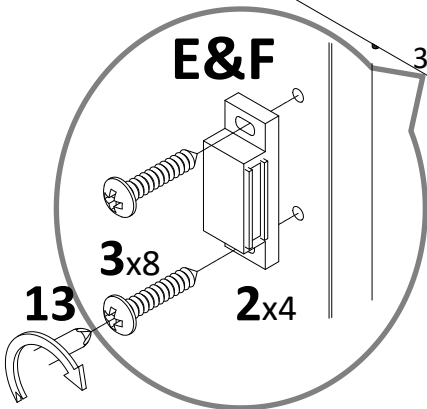
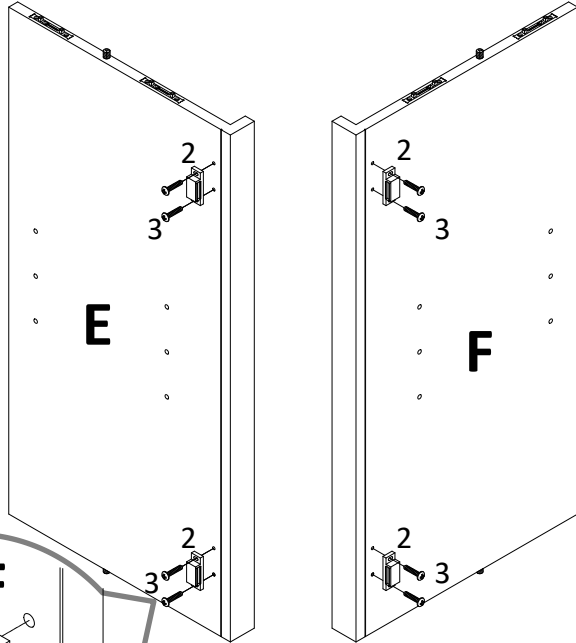
3  Screw ø3x15mm x2		
--	--	--

Be sure to check all packing material carefully for small parts, which may have come loose inside the carton during shipment.

ASSEMBLY INSTRUCTIONS

Step 1

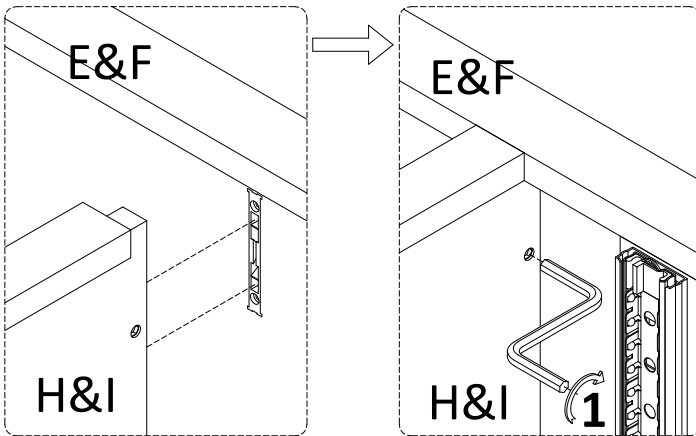
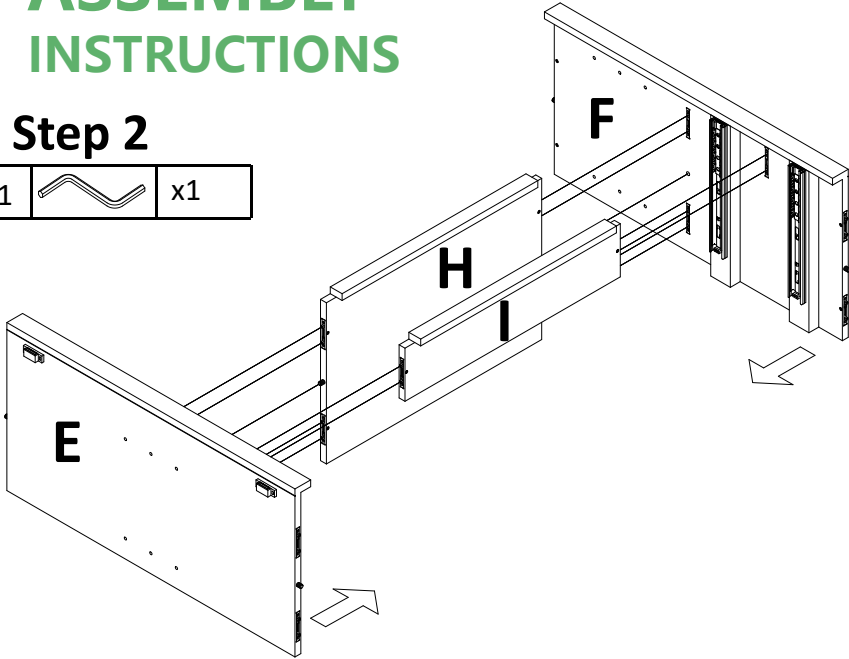
2		x4
3		x8
13		x1



Attach magnet (2) to middle vertical panel left(E) and middle vertical panel right(F) with screw(3). Tight screw with screwdriver(13).

ASSEMBLY INSTRUCTIONS

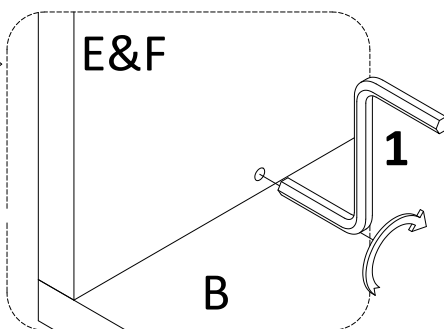
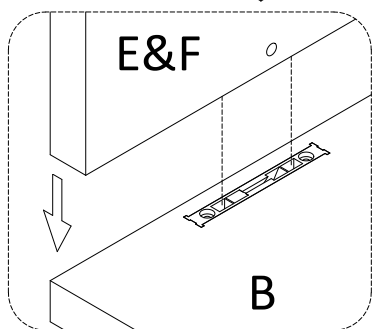
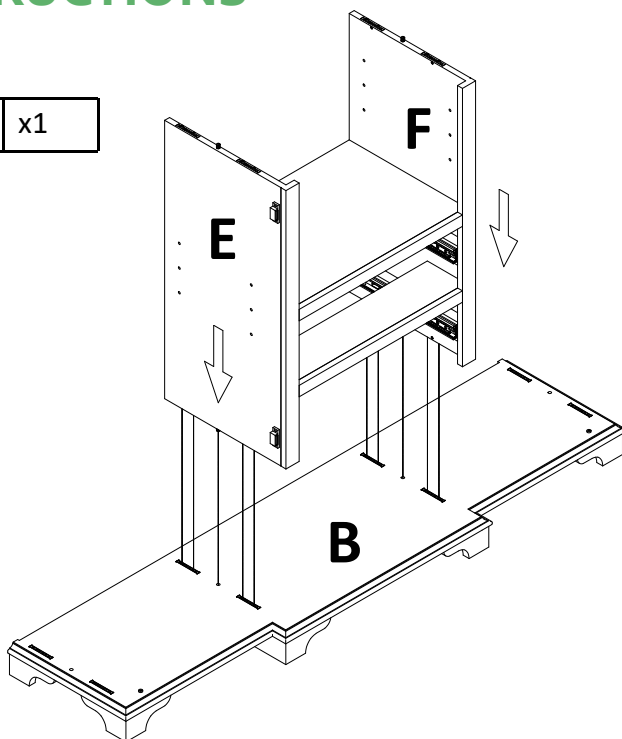
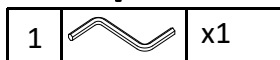
Step 2



Attach fixed shelf panel (H) and front rail(I) to middle vertical panel left(E) and middle vertical panel(F) as image. And tight them with allen wrench(1).

ASSEMBLY INSTRUCTIONS

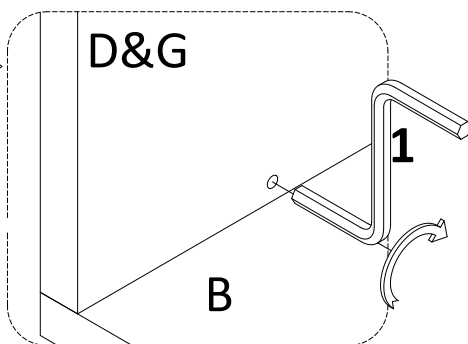
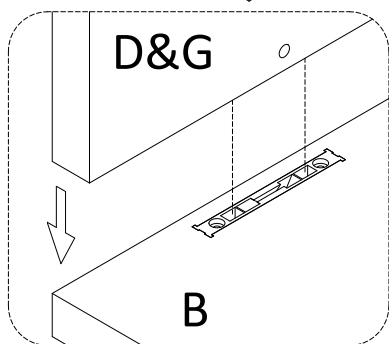
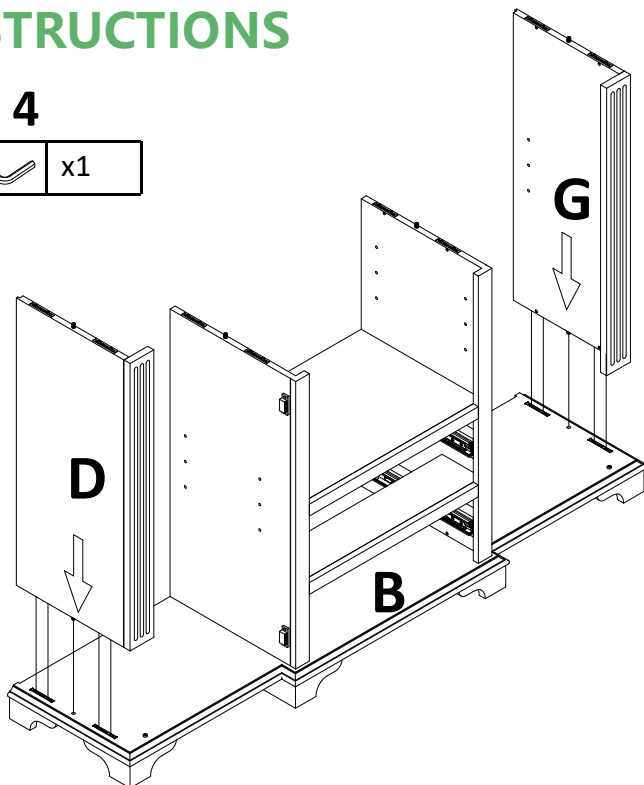
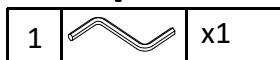
Step 3



Attach preassembly unit at step 2 to bottom panel(B) , and tight it with Allen wrench(1).

ASSEMBLY INSTRUCTIONS

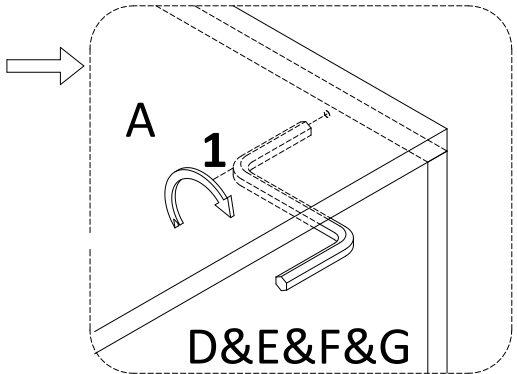
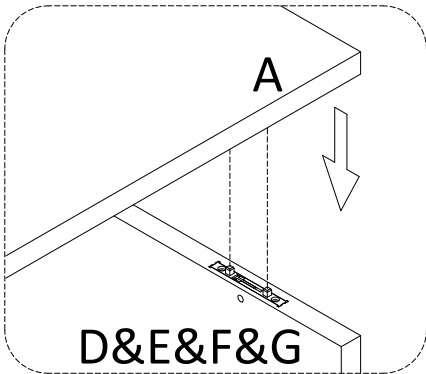
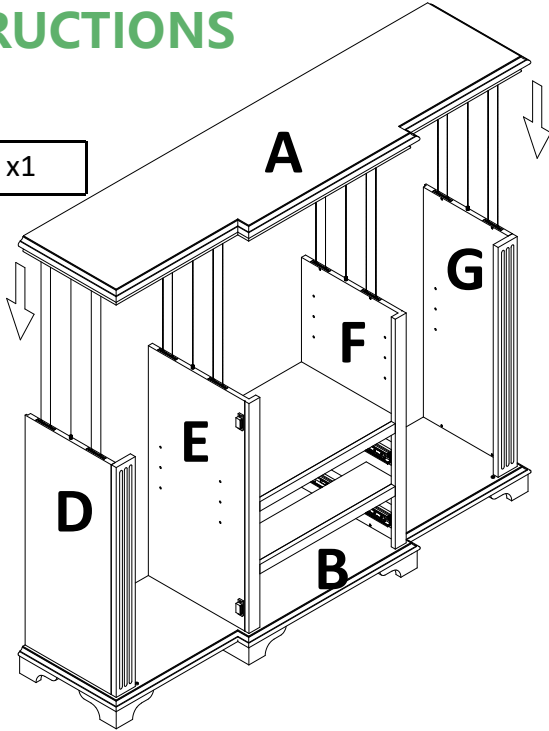
Step 4



Attach left side panel(D) and right side panel(G) to preassemble unit at step 3 , and tight it with Allen wrench(1).

ASSEMBLY INSTRUCTIONS

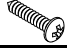

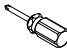
Step 5

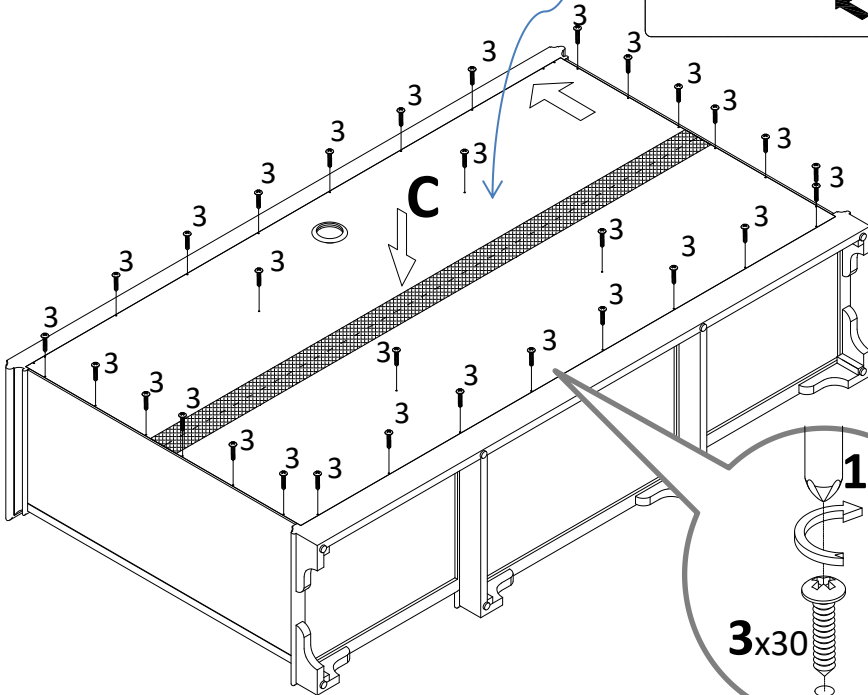
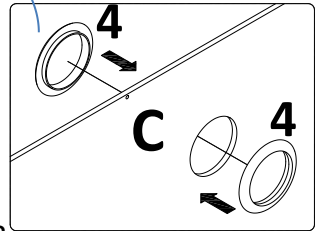
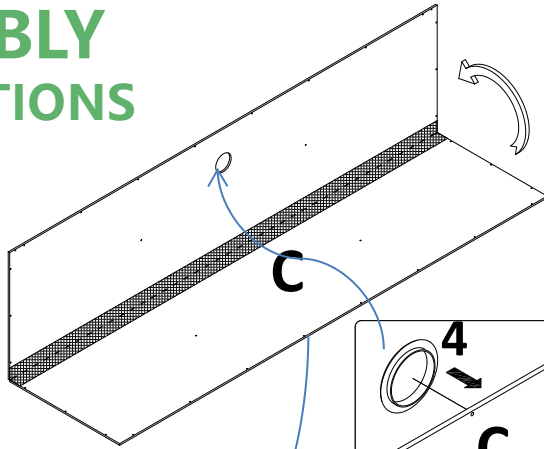


Attach top panel(A) to preassemble unit at step 4 and tight it with Allen wrench(1).

ASSEMBLY INSTRUCTIONS

Step 6

3		x30
4		x1
13		x1

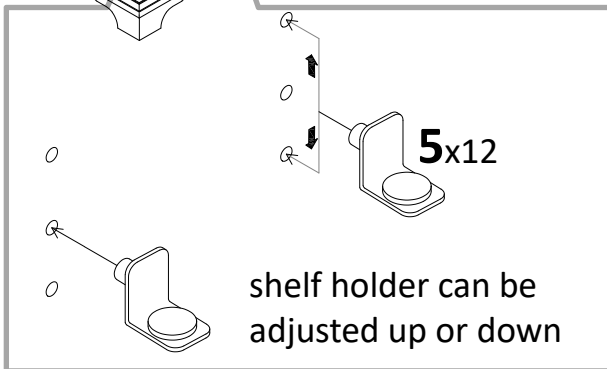
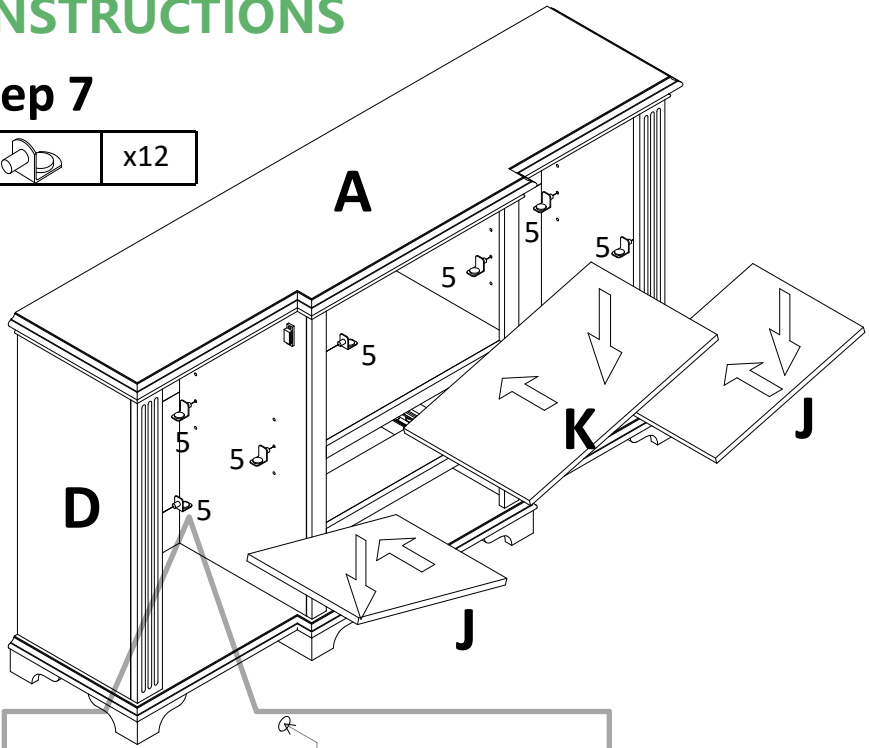


Attach plastic circle(4) to back panel(C). Attach back panel(C) to the preassemble unit at step 5 with screw (3), tight screw with screwdriver(13).

ASSEMBLY INSTRUCTIONS

Step 7

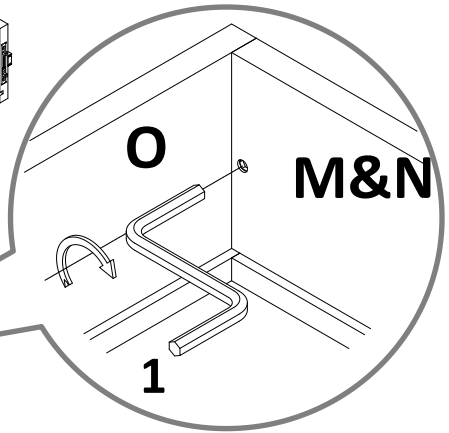
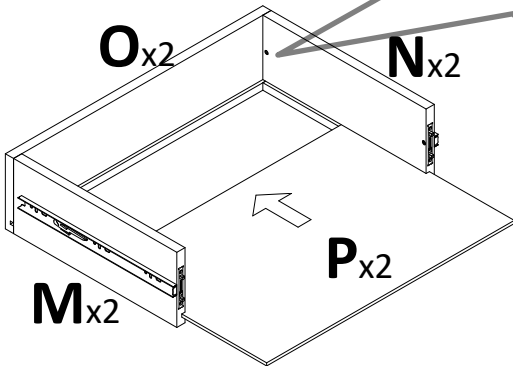
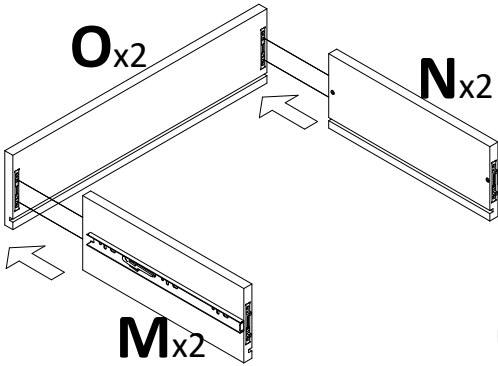
5		x12
---	---	-----



Insert shelf holder(5) to preassemble unit at step 6 , and attach adjustable shelf (K/J) to it.

ASSEMBLY INSTRUCTIONS

Step 8




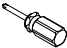


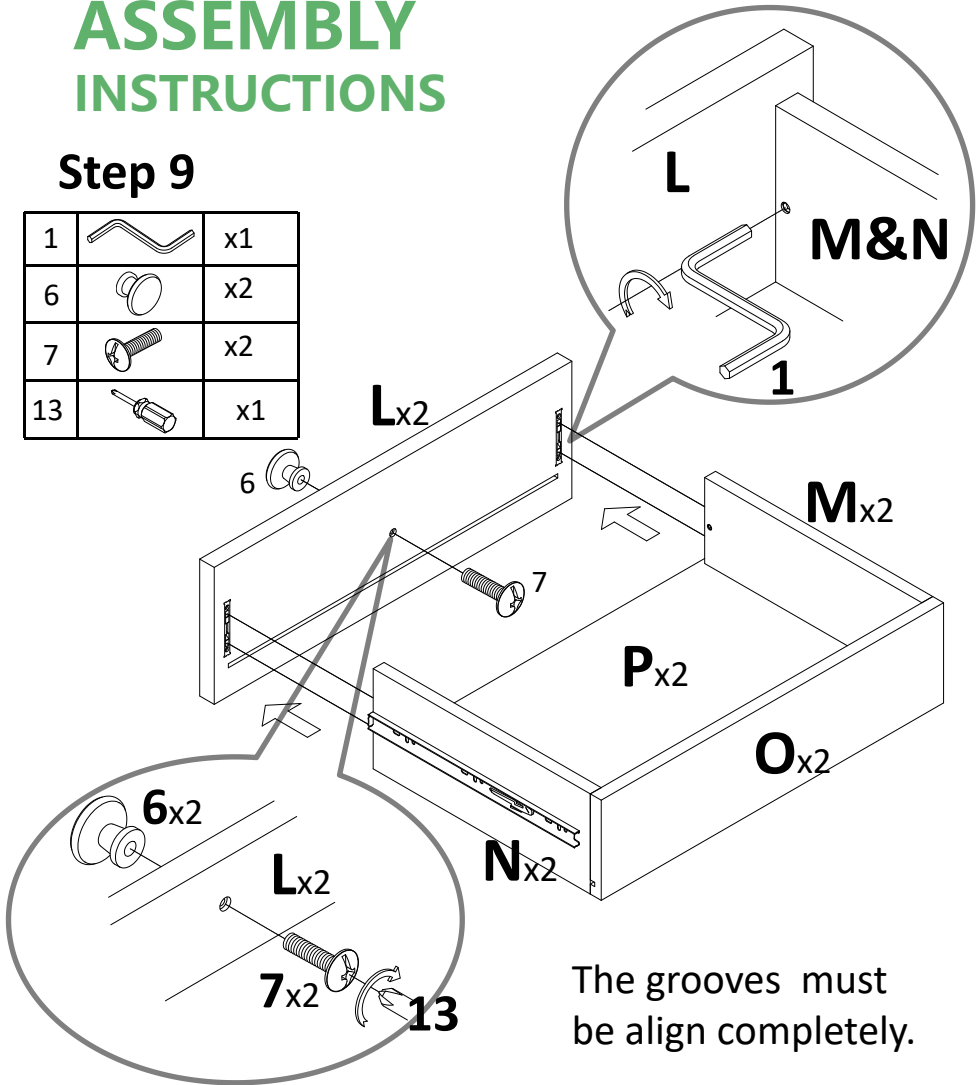
The grooves must align completely.

Attach drawer side left(M) and drawer side right(N) to drawer back (O) , tight it with allen wrench(1),slide drawer bottom side (P) to them.

ASSEMBLY INSTRUCTIONS

Step 9

1		x1
6		x2
7		x2
13		x1

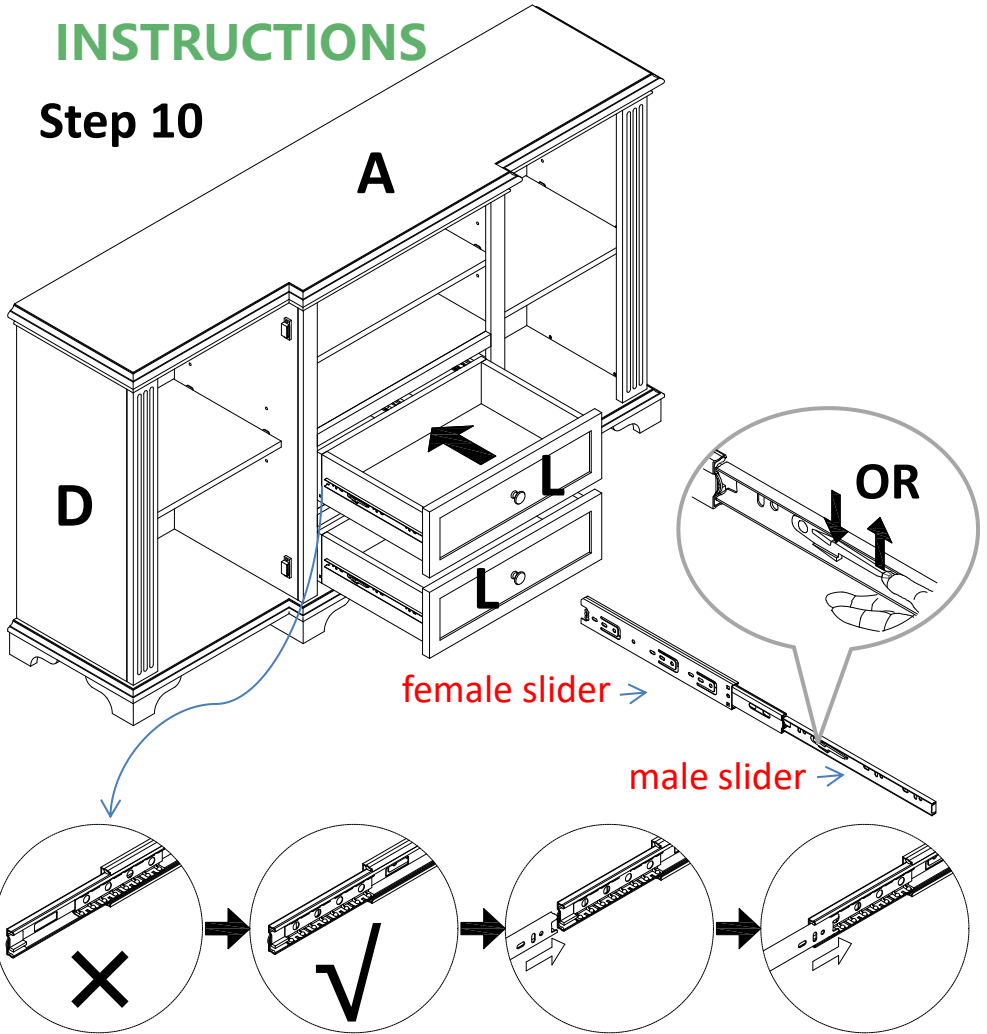


The grooves must align completely.

Attach drawer front (L) to preassembly unit at step8, tight it with allen wrench(1).

ASSEMBLY INSTRUCTIONS

Step 10



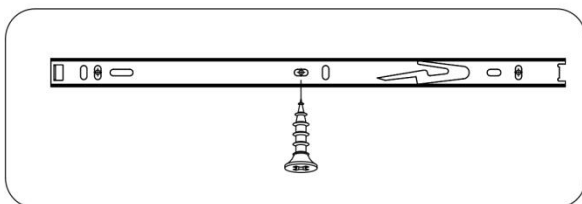
Make sure to move the ball bearing to front end, carefully align male and female slides before insert drawer box.

Attach drawer to preassemble unit at step 9.

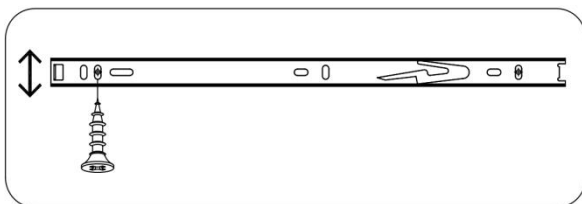
ASSEMBLY INSTRUCTIONS

Step 11

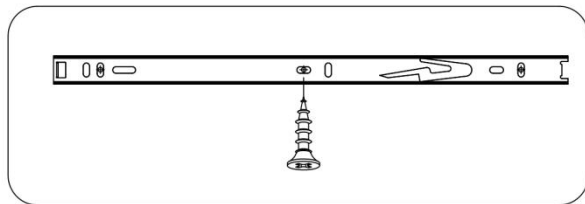
Once the drawer is assembled, if the drawer face does not fit the wood frame, perform the following operations:



1. Loosen the screw by screwdriver.





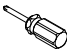
2. Loosen the screw, adjust the screw to the desired position, then tighten it.

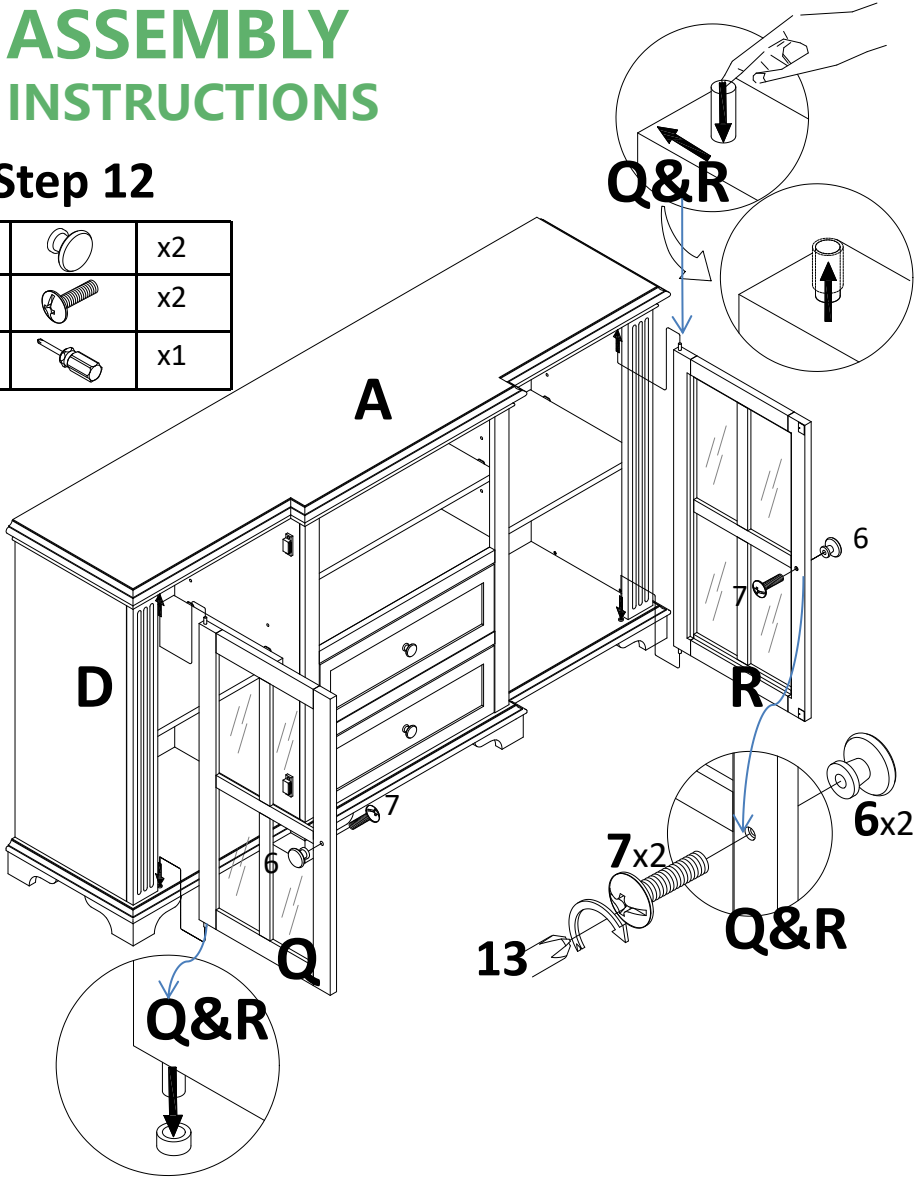


3. Tighten it

ASSEMBLY INSTRUCTIONS

Step 12


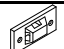
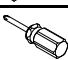
6		x2
7		x2
13		x1

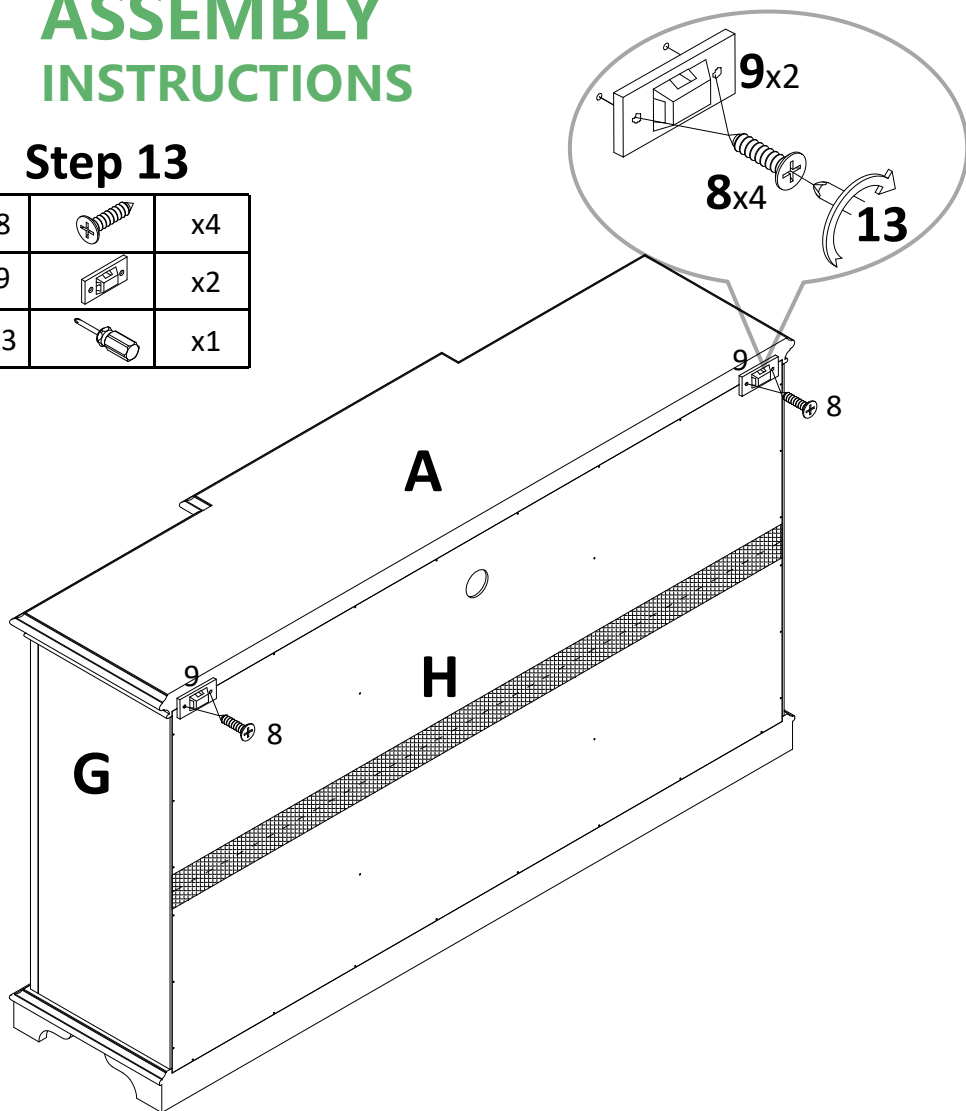


Attach left door(Q) and right door(R) to preassemble unit at step 11, attach knob(6) to left door(Q) and right door(R) with bolt(7), tight bolt with screwdriver(13).

ASSEMBLY INSTRUCTIONS

Step 13





8		x4
9		x2
13		x1

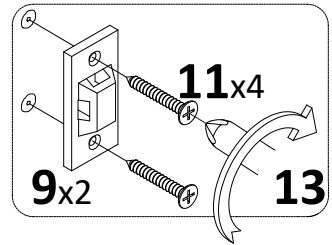
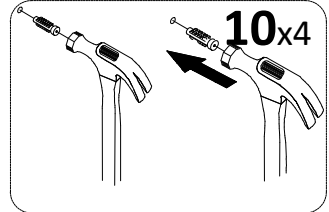
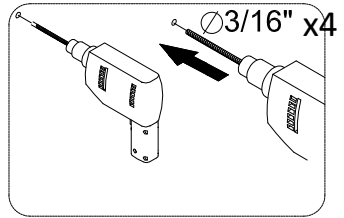
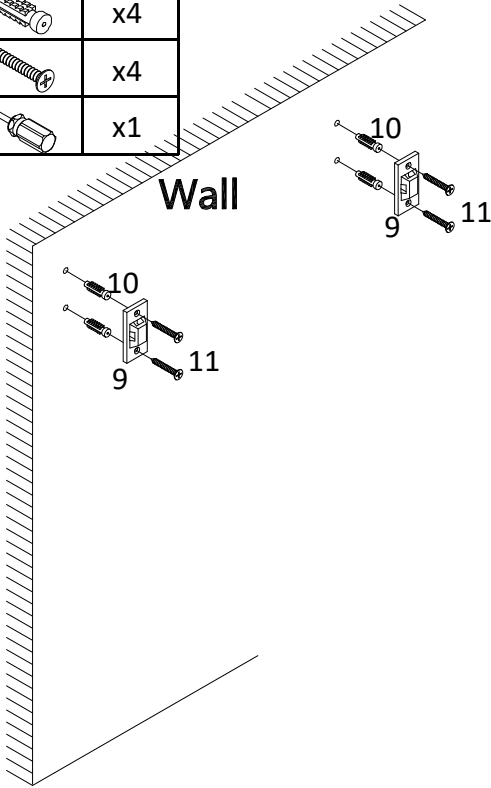


Attach bracket(9) to preassemble unit at step 12 with screw(8), and tight screw with screwdriver(13).

ASSEMBLY INSTRUCTIONS

Step 14

9		x2
10		x4
11		x4
13		x1

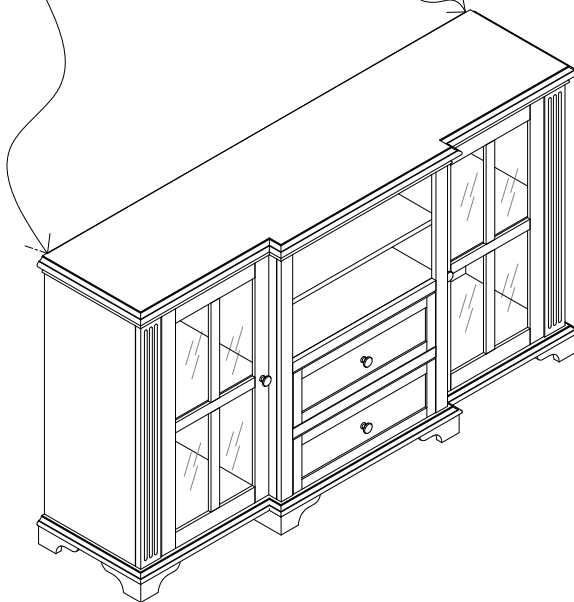
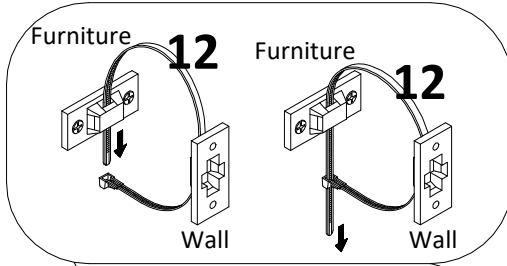


Drill hole on the wall , and insert expansion nut(10) , then attach bracket(9) to it with screw(11), tight screw with screwdriver(13).

ASSEMBLY INSTRUCTIONS

Step 15

12		x2
----	---	----



Attach the unit to the wall plastic belt(12)

Anti-tipping hardware must be used for this product to avoid tipping and injury.

WARRANTY

We strive to offer high-quality products, and we also try our best to satisfy each and every customer that orders from us with product or service as needed. We provide 30 days warranty starting from the time you receive the item. Each customer must provide a record of their order such as the order number, or item receipt for any items that are out of the warranty period you may also still receive replacement parts by purchasing them with our company if they are available.

**Are you having difficulty
with assembly? Missing parts?**

**Please send email with your order No to
customerservice@hulalahome.com**

**For return, please check the return policy with
the retailer or market place you bought from.**

**Appreciate your purchasing from us.
Pop up your life by our furniture piece!**