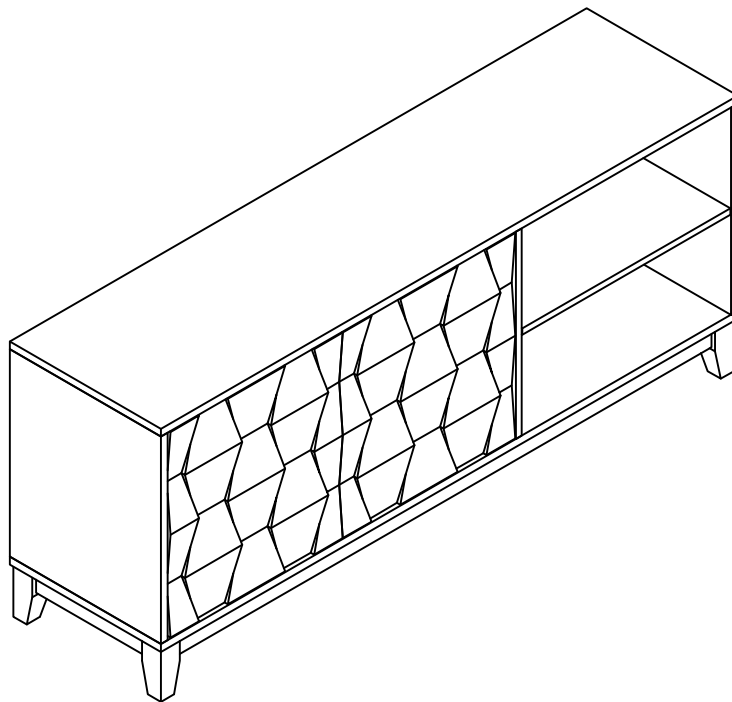


HULALA

H O M E



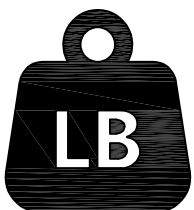
ITEM NO.TVHM1195

NOTE:

This brochure contains IMPORTANT safety info. Please read and keep for future reference.

MAINTAINANCE AND WARNING

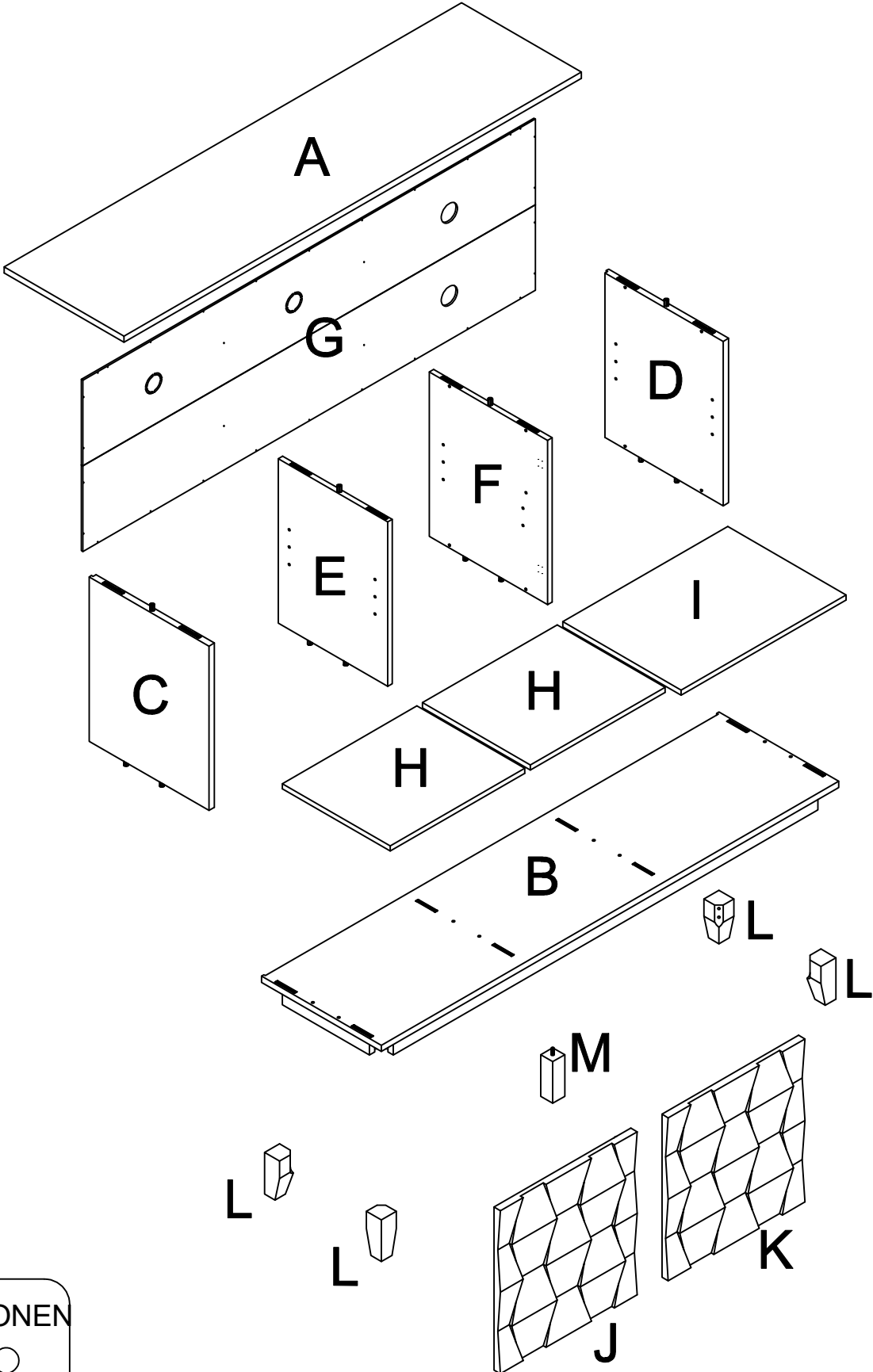
- 1.Keep furniture away from heat sources.
- 2.Do not clean furniture with harsh cleaner or polishes.Do not use detergents,solvents,abrasives,spray packs or leather cleaner. Use non-color mild soa with warm water to clean spills(Mix 1:10 soap to water).
- 3.Do not place furniture under direct sunlight,material will possibly fade over time.
- 4.Do not use on site dry cleaning machine.Children should not climb or jump on the furniture.
- 5.Do not write on furniture that is not protectedby a padded barrier.
- 6.Not for commercial use,only for residential use.



Weight Limitation

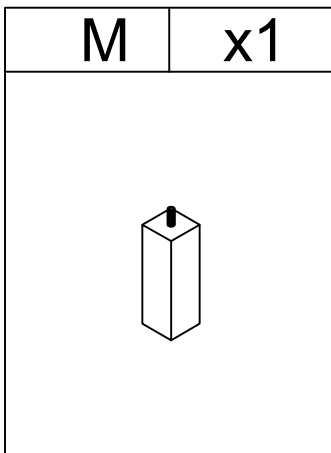
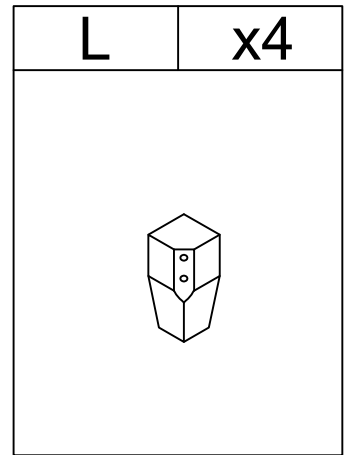
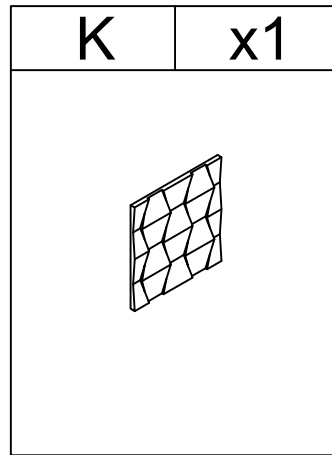
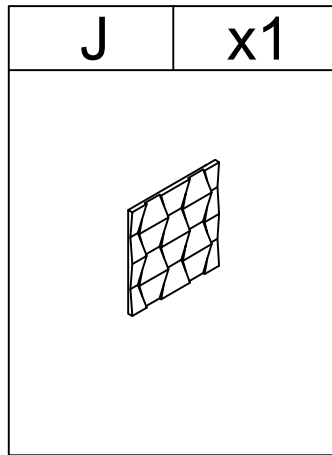
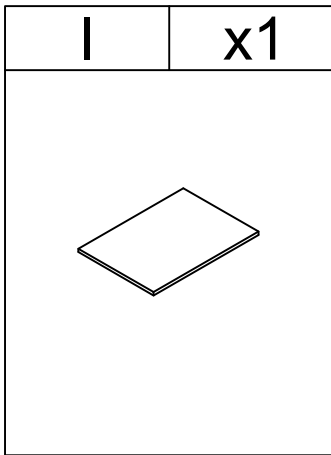
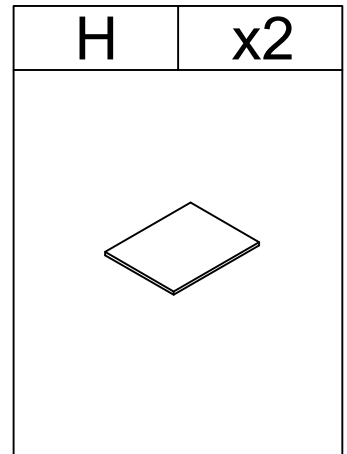
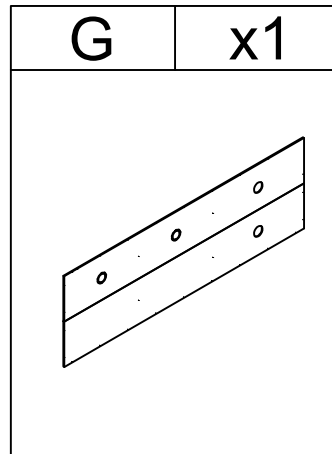
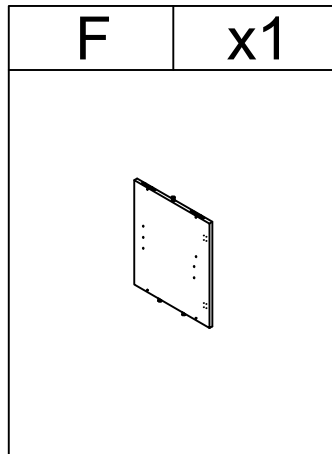
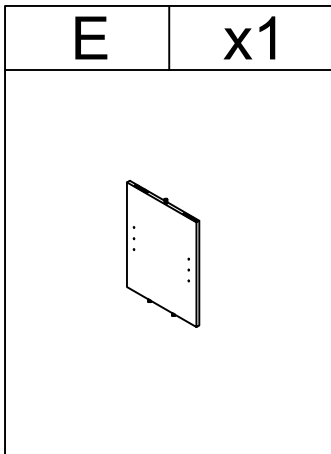
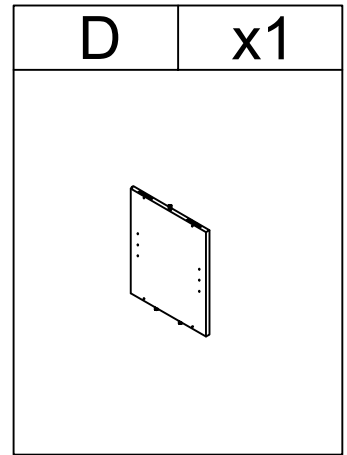
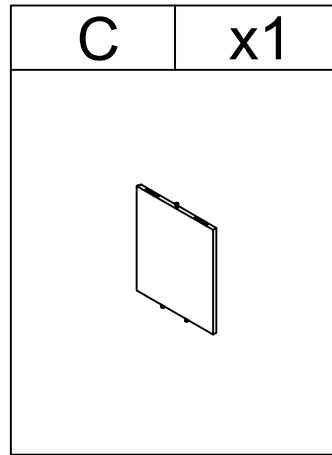
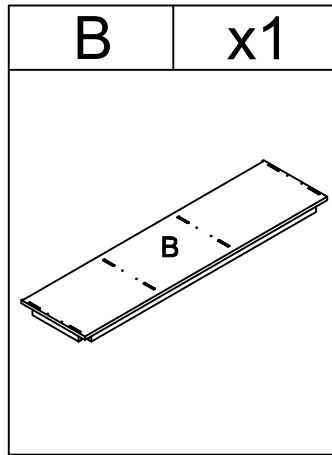
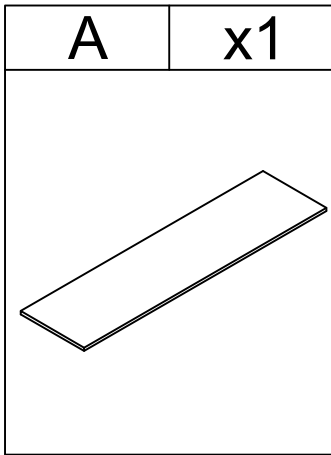
150 LBS

EXPLOSIVE VIEW

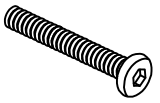
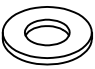

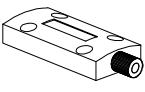

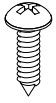

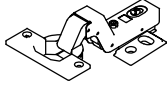
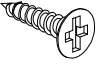
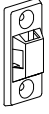


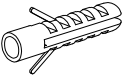



OVERVIEW


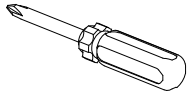
PARTS LIST



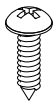
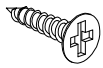

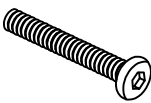
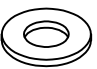


HARDWARE LIST

#1	x8	#2	x8	#3	x8	#4	x2	#5	x8	#6	x28
											
φ1/4*1-3/4"								φ3.5*19mm*7#		φ3*14mm*6#	
#7	x12	#8	x4	#9	x24	#10	x4	#11	x4	#12	x4
											
				φ3.5*14mm*7#				φ3*16mm*6#		φ3.5*35mm*7#	
#13	x4	#14	x2								
											

TOOL LIST

#15	x1	#16	x1
			

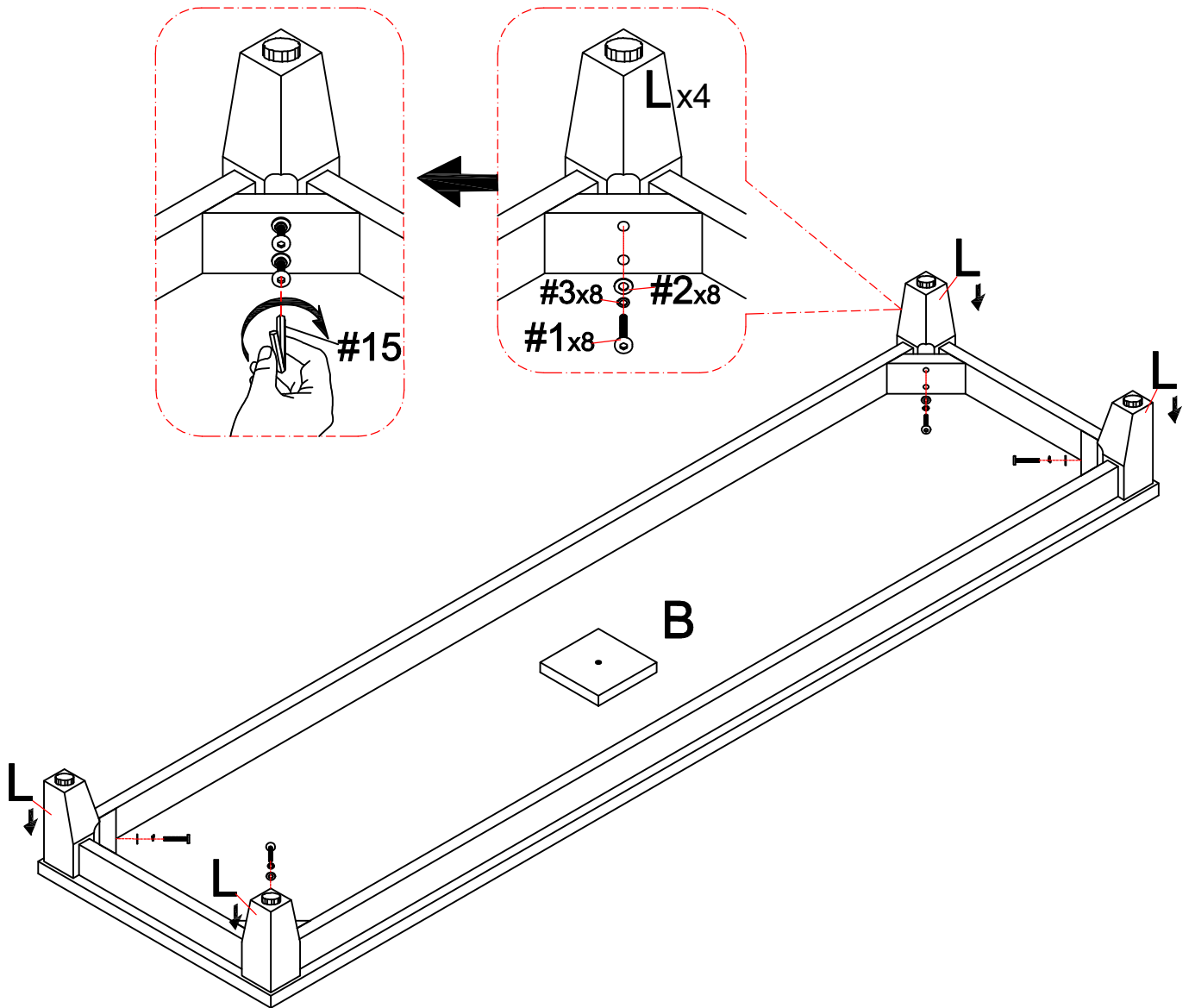
HARDWARE SPARE LIST

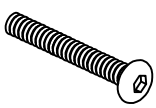



#6	x2	#9	x2	#7	x1	#1	x1	#2	x1	#3	x1	#5	x1
													
φ3*14mm*6#		φ3.5*14mm*7#				φ1/4*1-3/4"						φ3.5*19mm*7#	

ASSEMBLY INSTRUCTIONS

STEP-1

1. Connect part (L) to part (B) with bolt #1, flat washer #2 and spring washer #3. tight bolt with allen wrench #15.

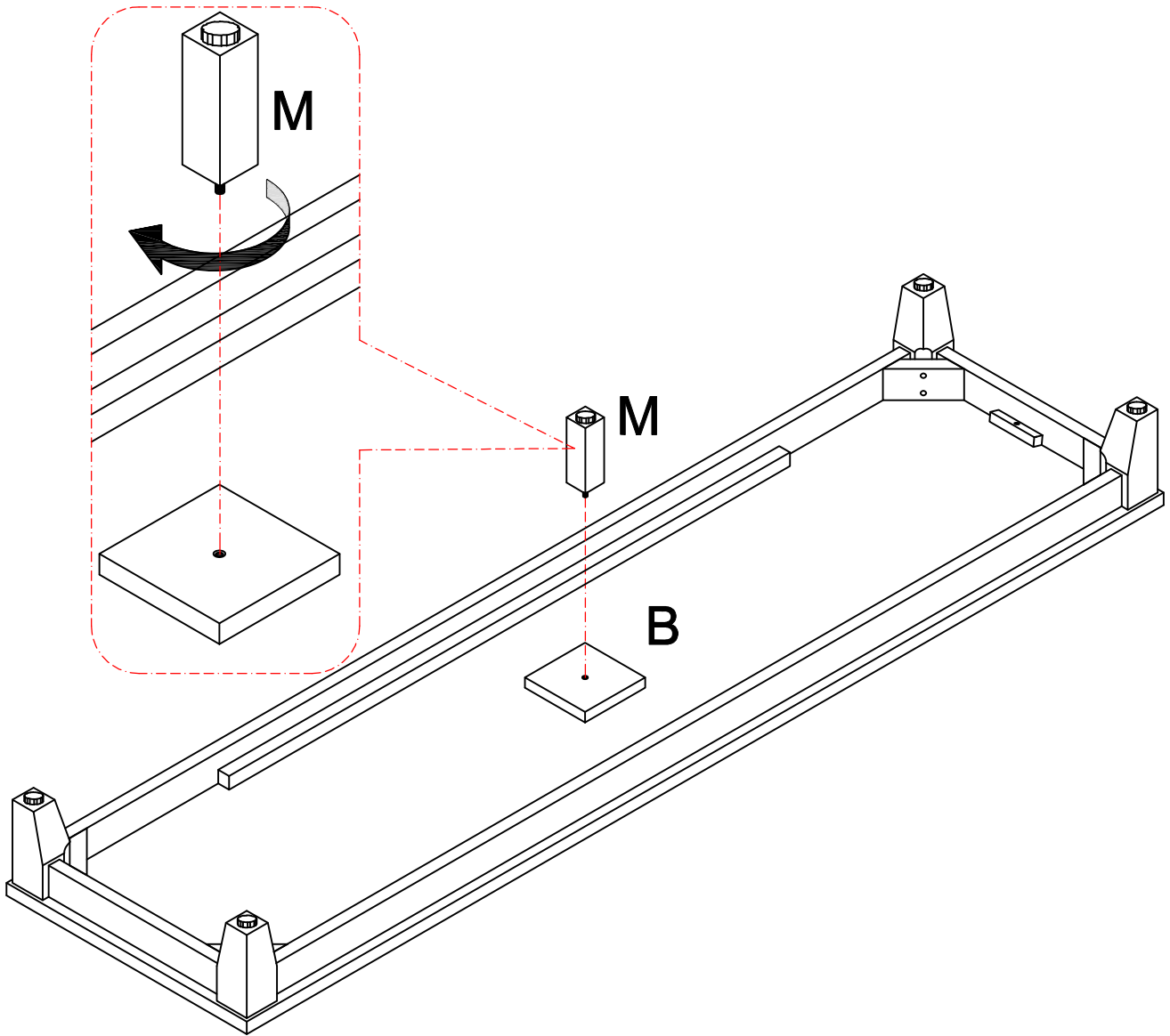


#1	x8	#2	x8	#3	x8	#15	x1
							
Ø1/4*1-3/4"							

ASSEMBLY INSTRUCTIONS

STEP-2

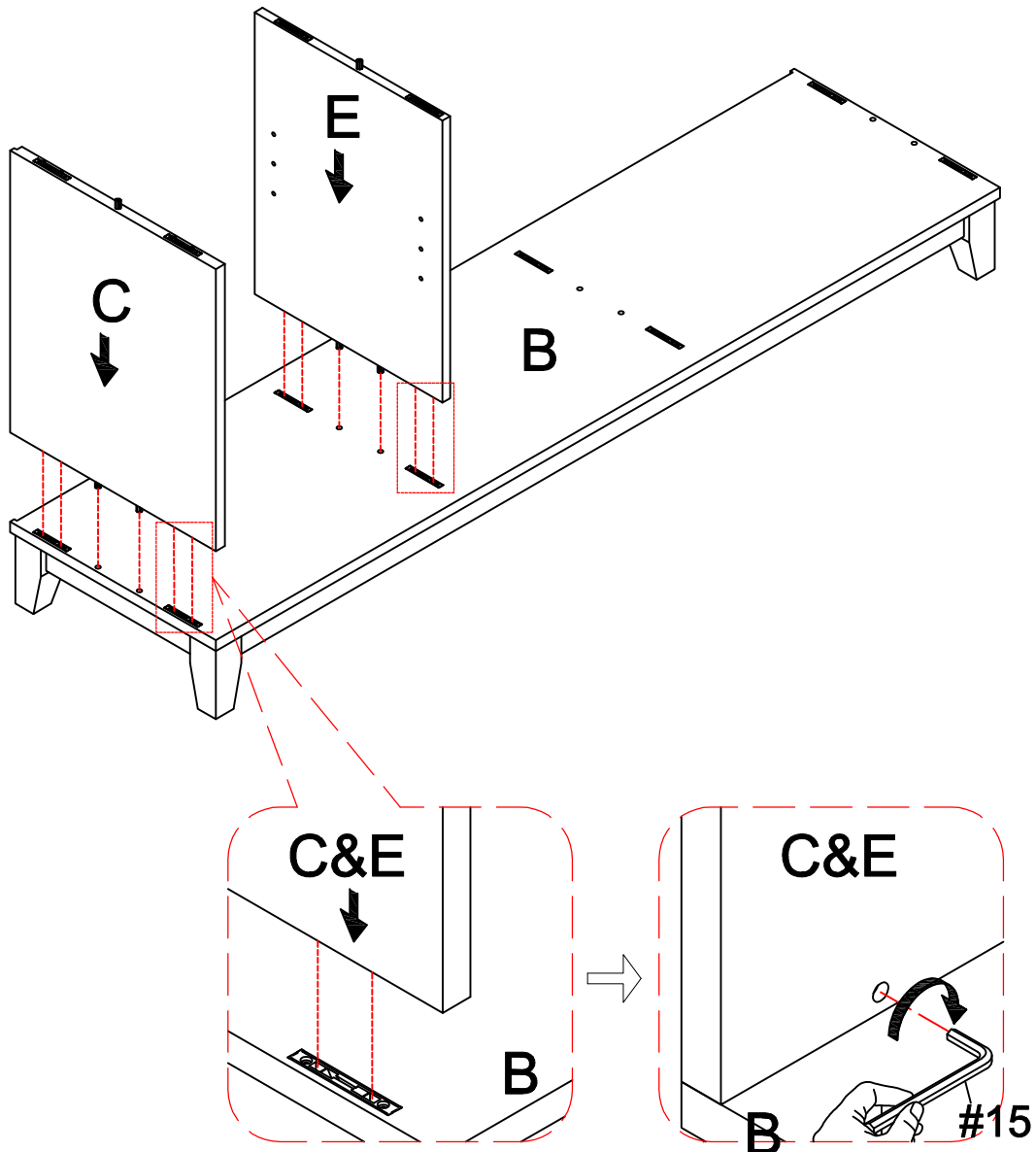
1. Attach part (M) to part (B) with hand.

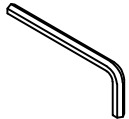


ASSEMBLY INSTRUCTIONS

STEP-3

1. Insert part (C/E) to part (B), make sure all holes aligned and tight it with allen wrench #15.

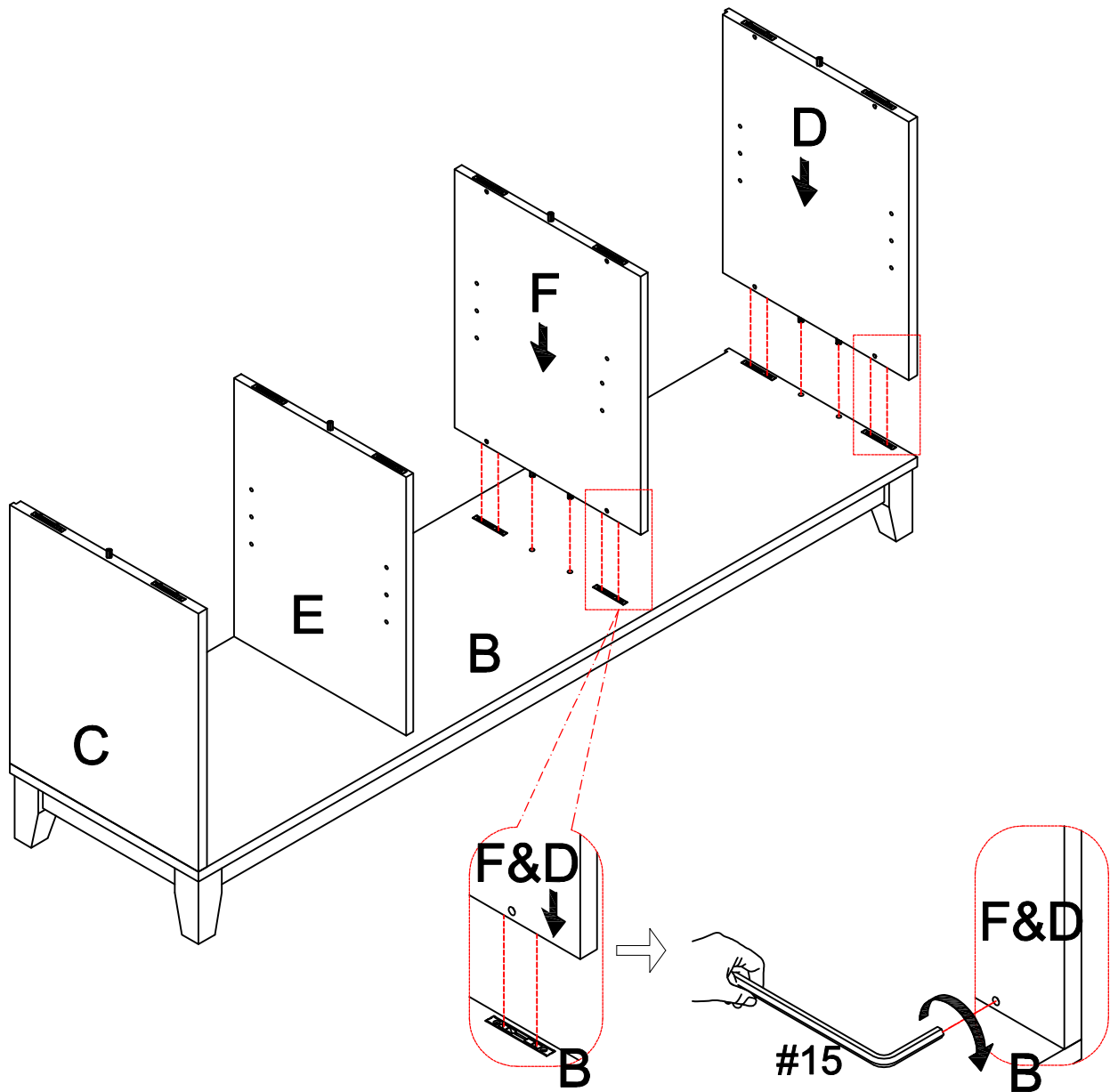


#15	x1
	

ASSEMBLY INSTRUCTIONS

STEP-4

1. Insert part (F) and part (D) to part (B), make sure all holes aligned and tight it with allen wrench #15.

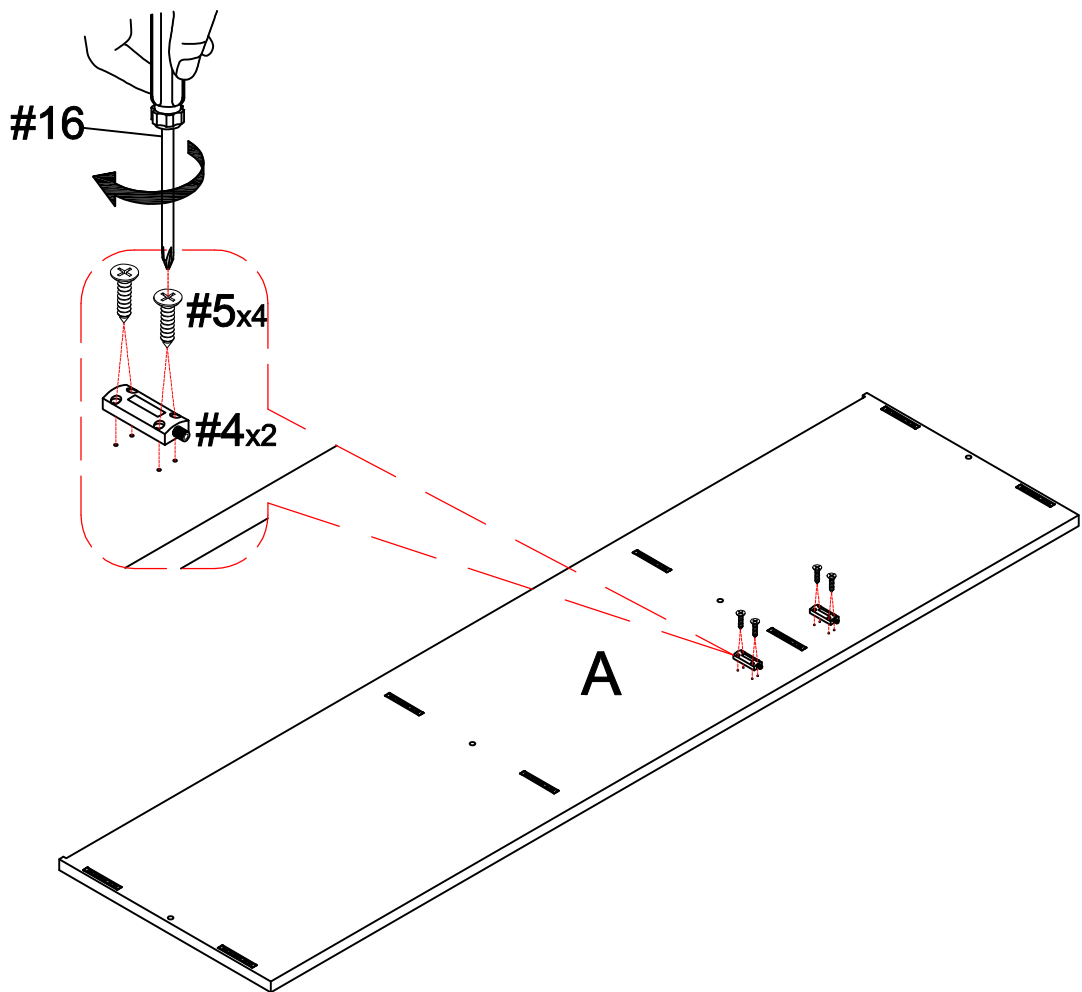


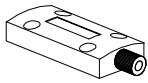

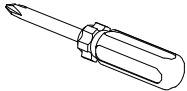
#15	x1

ASSEMBLY INSTRUCTIONS

STEP-5

1. Connect part #4 to part (A) with screw #5, tight screw with screwdriver #16.

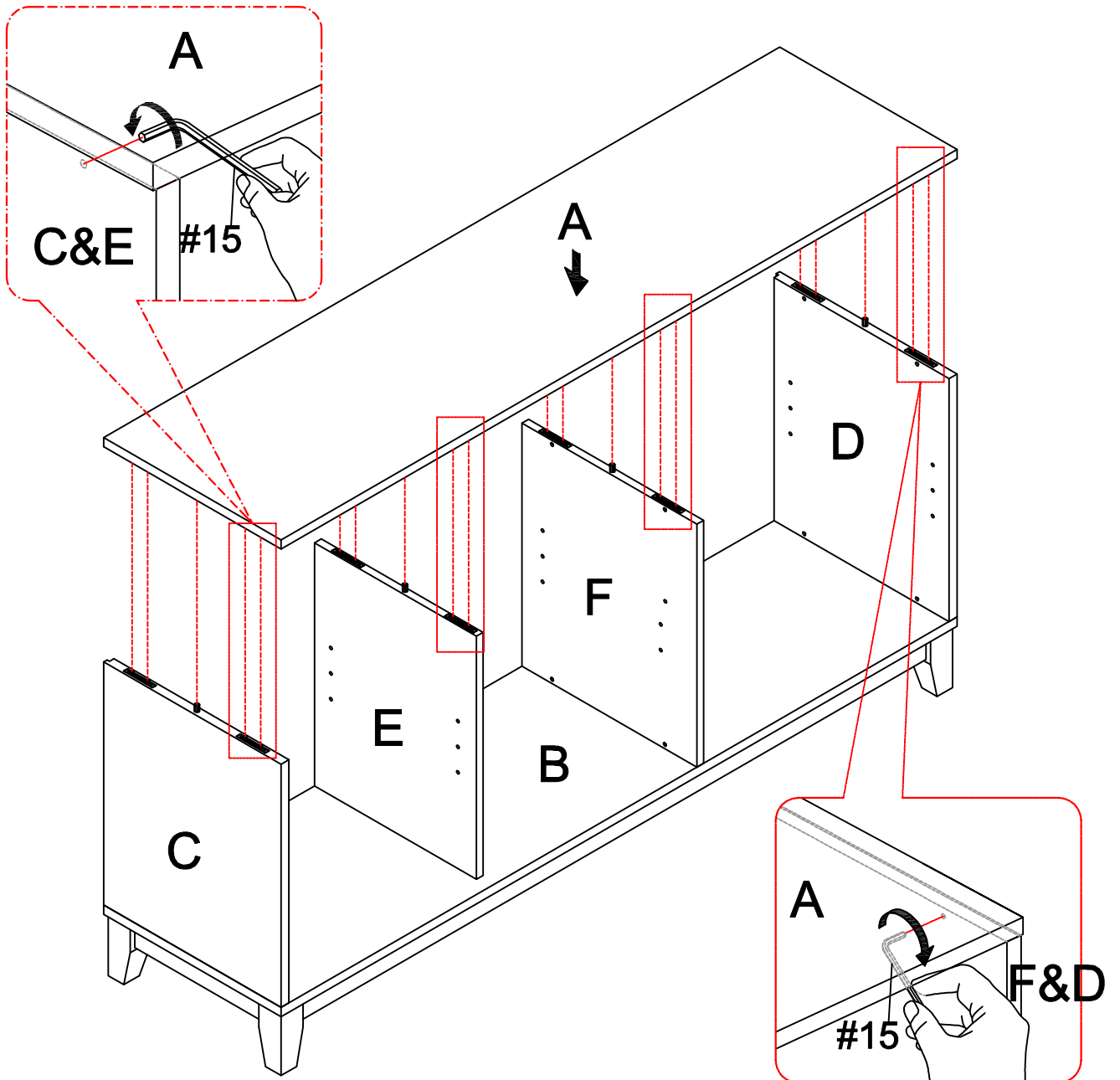


#4	x2	#5	x8	#16	x1
					
		φ3.5*19mm*7#			

ASSEMBLY INSTRUCTIONS

STEP-6

1. Insert part (A) to the unit pre-assembled at step 4. make sure all holes aligned and tight it with allen wrench #15.

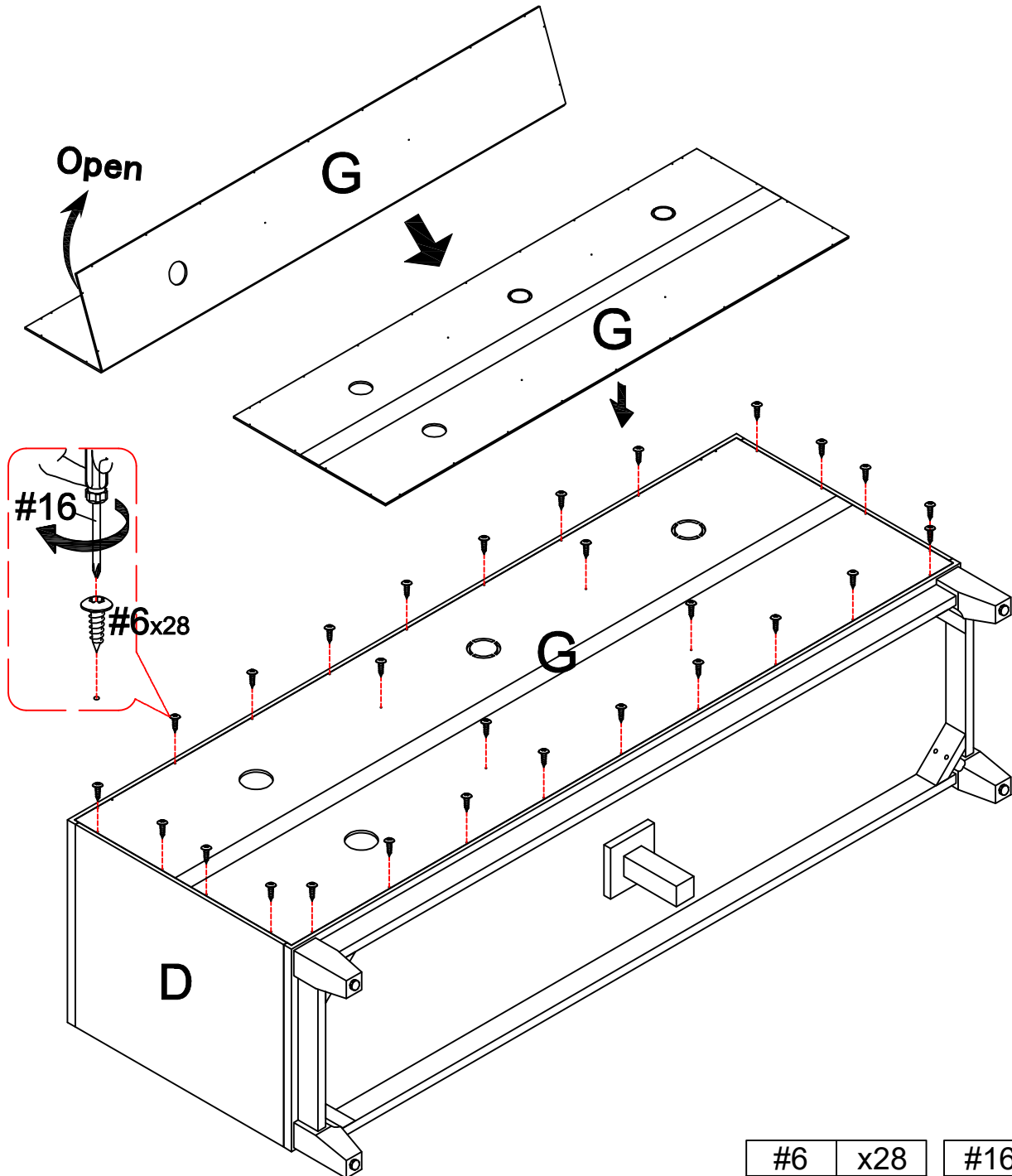


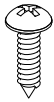
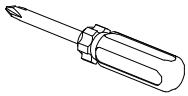
#15	x1

ASSEMBLY INSTRUCTIONS

STEP-7

1. Open the back panel(G), connect part (G) to the unit pre-assembled at step 6 with screw#6, tight screw with screwdriver #16.

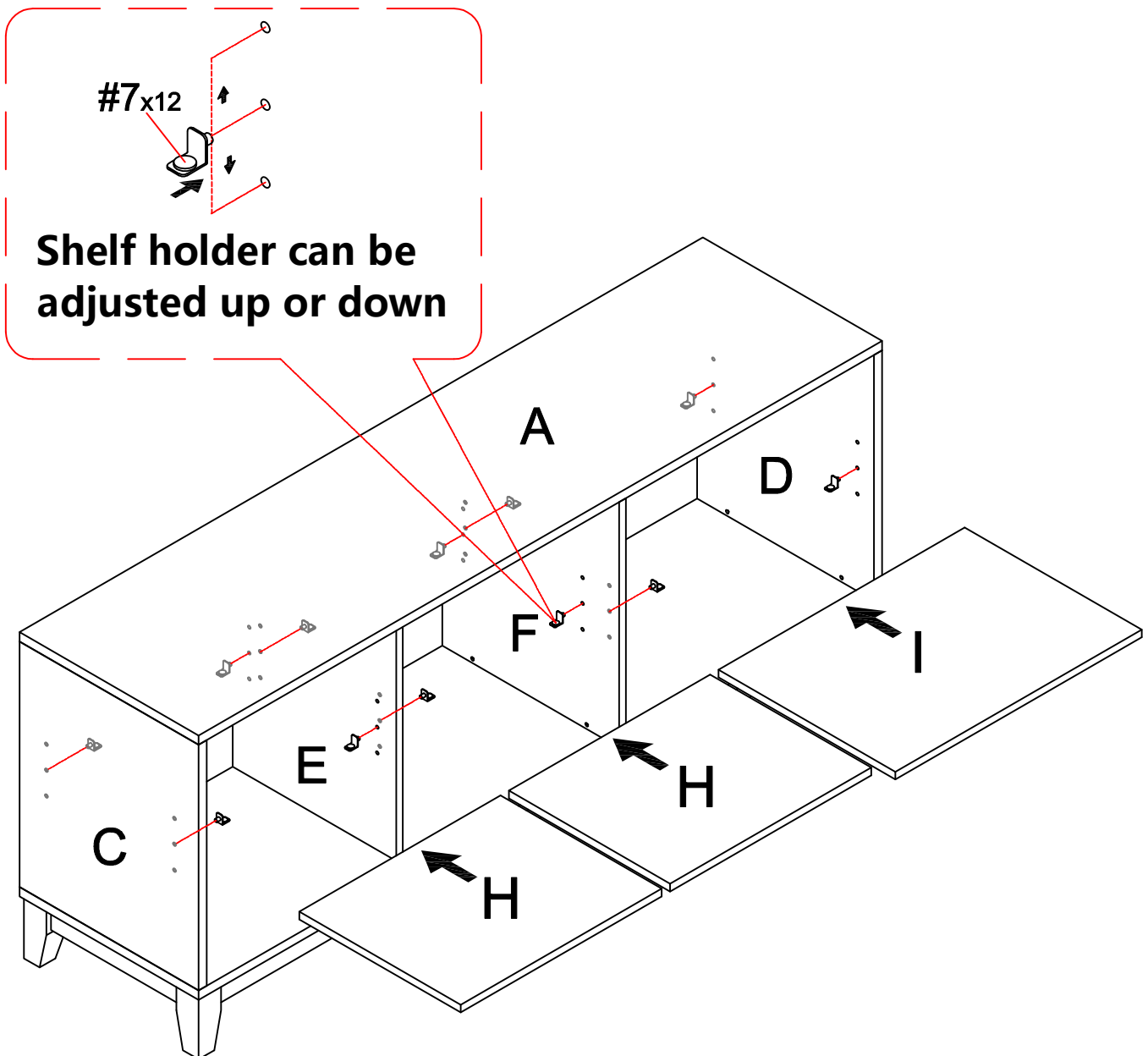


#6	x28	#16	x1
			
φ3*15mm*7#			

ASSEMBLY INSTRUCTIONS

STEP-8

1. Insert part #7 to the hole of part (C/D/E/F), make sure they are at the same level and then attach part (H/I) to it.

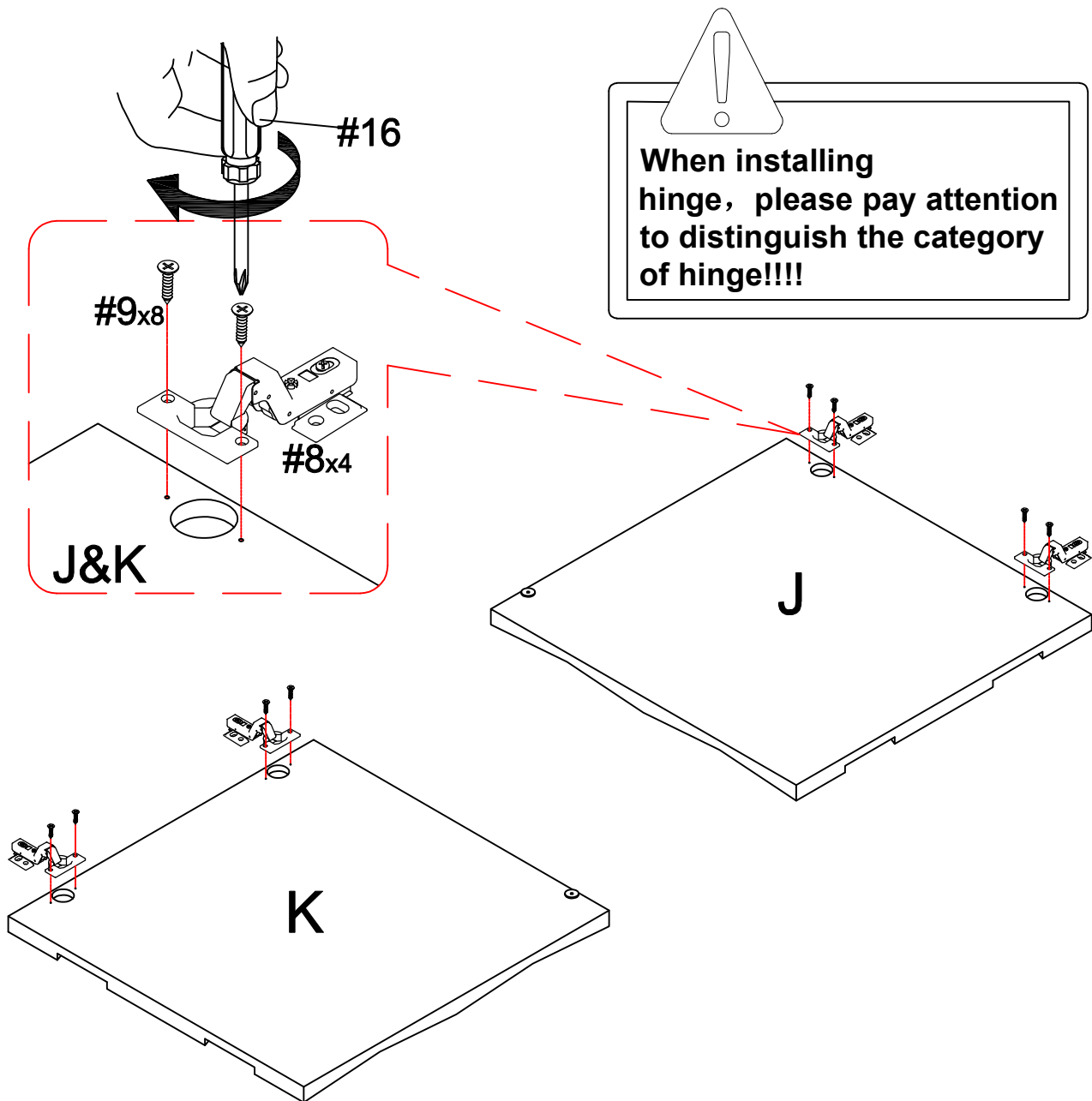


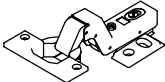
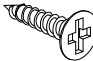
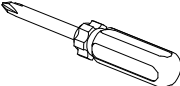
#7	x12

ASSEMBLY INSTRUCTIONS

STEP-9

1. Connect part #8 to part (J/K) with screw #9, tight screw with screwdriver #16.

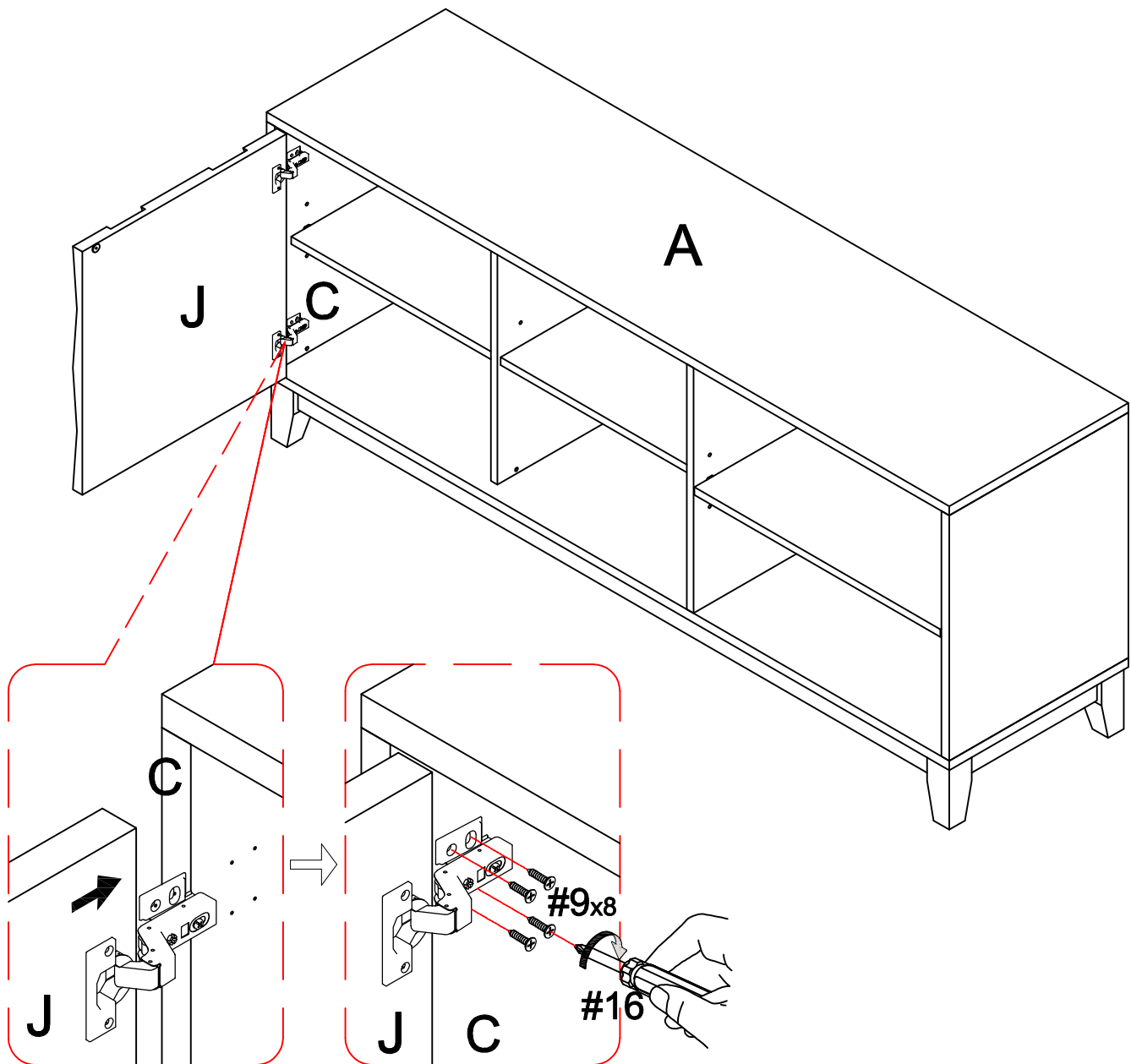


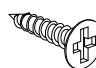
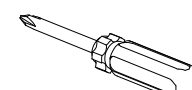
#8	x4	#9	x8	#16	x1
					
		φ3.5*14mm*7#			

ASSEMBLY INSTRUCTIONS

STEP-10

1. Connect part (J) to part (C) with screw #9, tight screw with screwdriver.

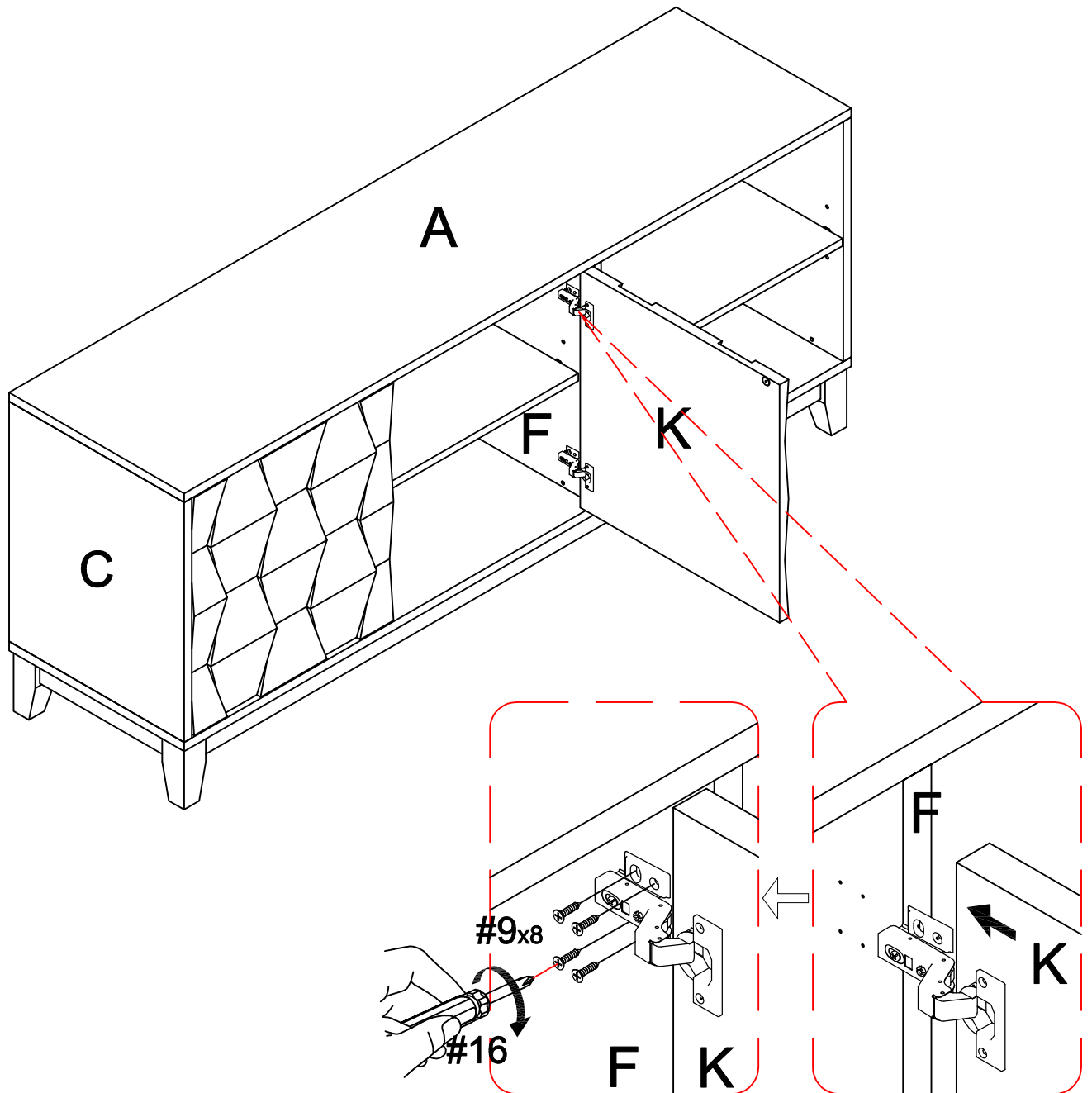


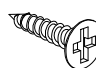
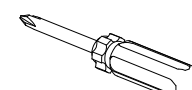
#9	x8	#16	x1
			
ø3.5*14mm*7#			

ASSEMBLY INSTRUCTIONS

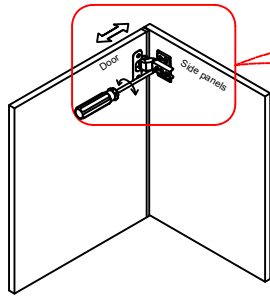
STEP-11

1. Connect part (K) to part (F) with screw #9, tight screw with screwdriver #16.

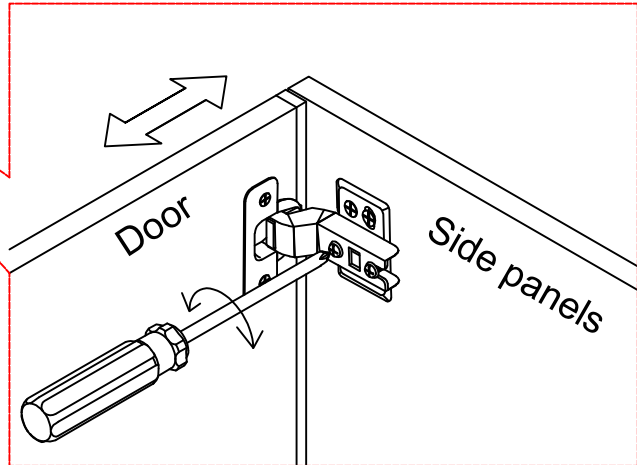


#9	x8	#16	x1
			
ø3.5*14mm*7#			

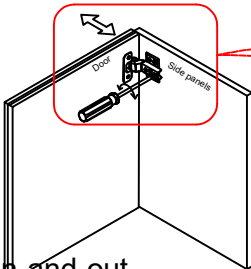
Concealed hinges are three-way adjustable:



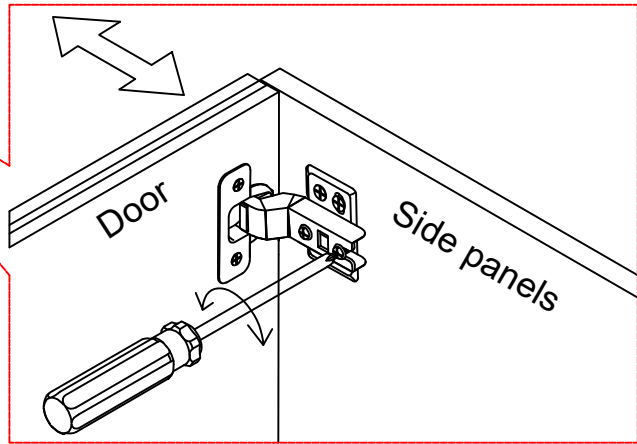
Horizontal
by screw adjustment!



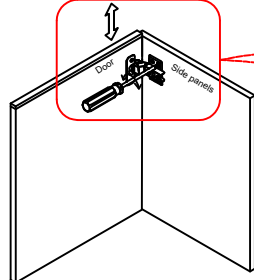
Concealed hinges are three-way adjustable:



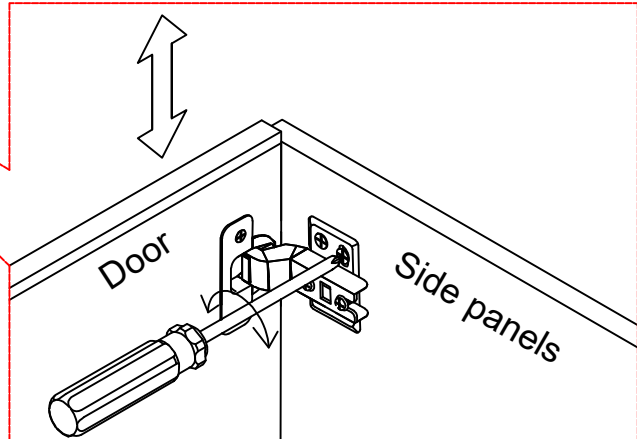
In-and-out
by loosening the hinge arm
mounting screw or via cam
adjustment!



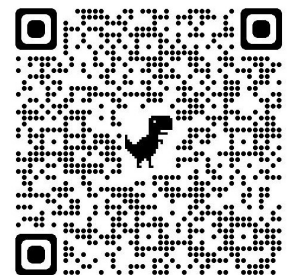
Concealed hinges are three-way adjustable:



Vertical via slots in
the mounting plate
or via cam
adjustment!



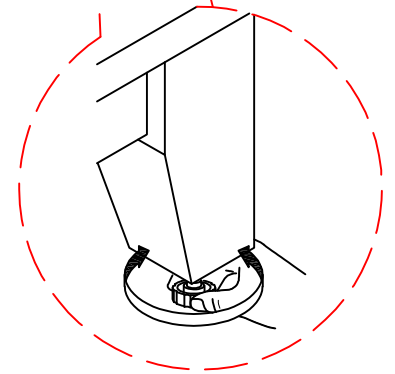
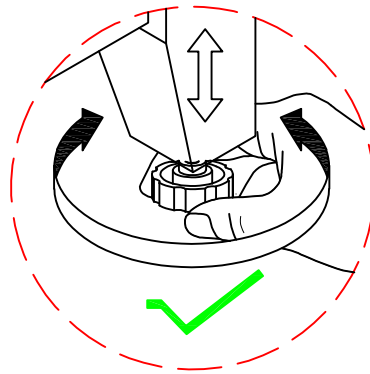
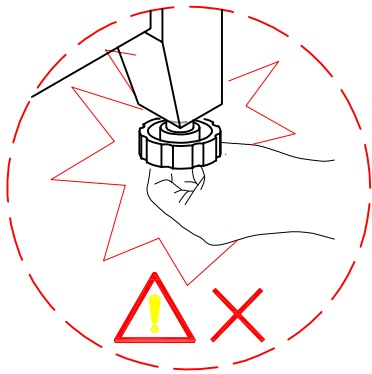
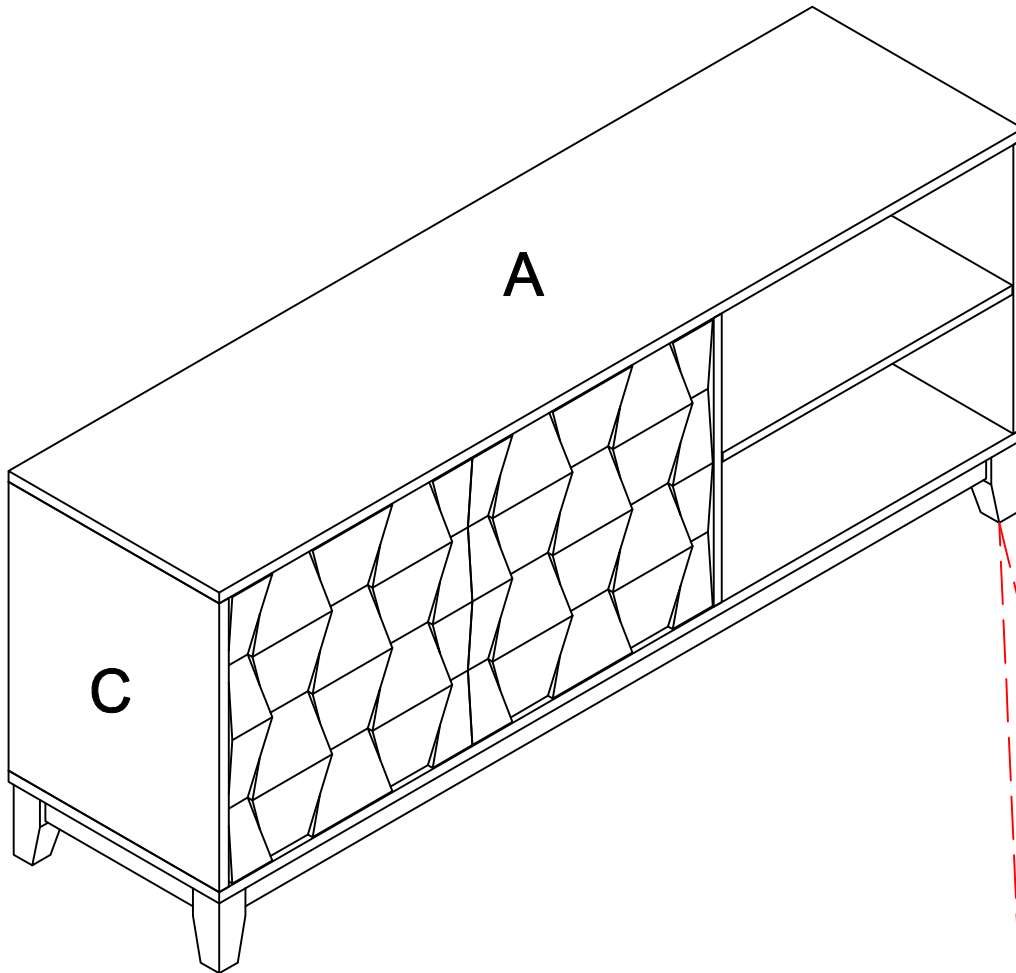
Hinge adjustment method



Video for door adjustment

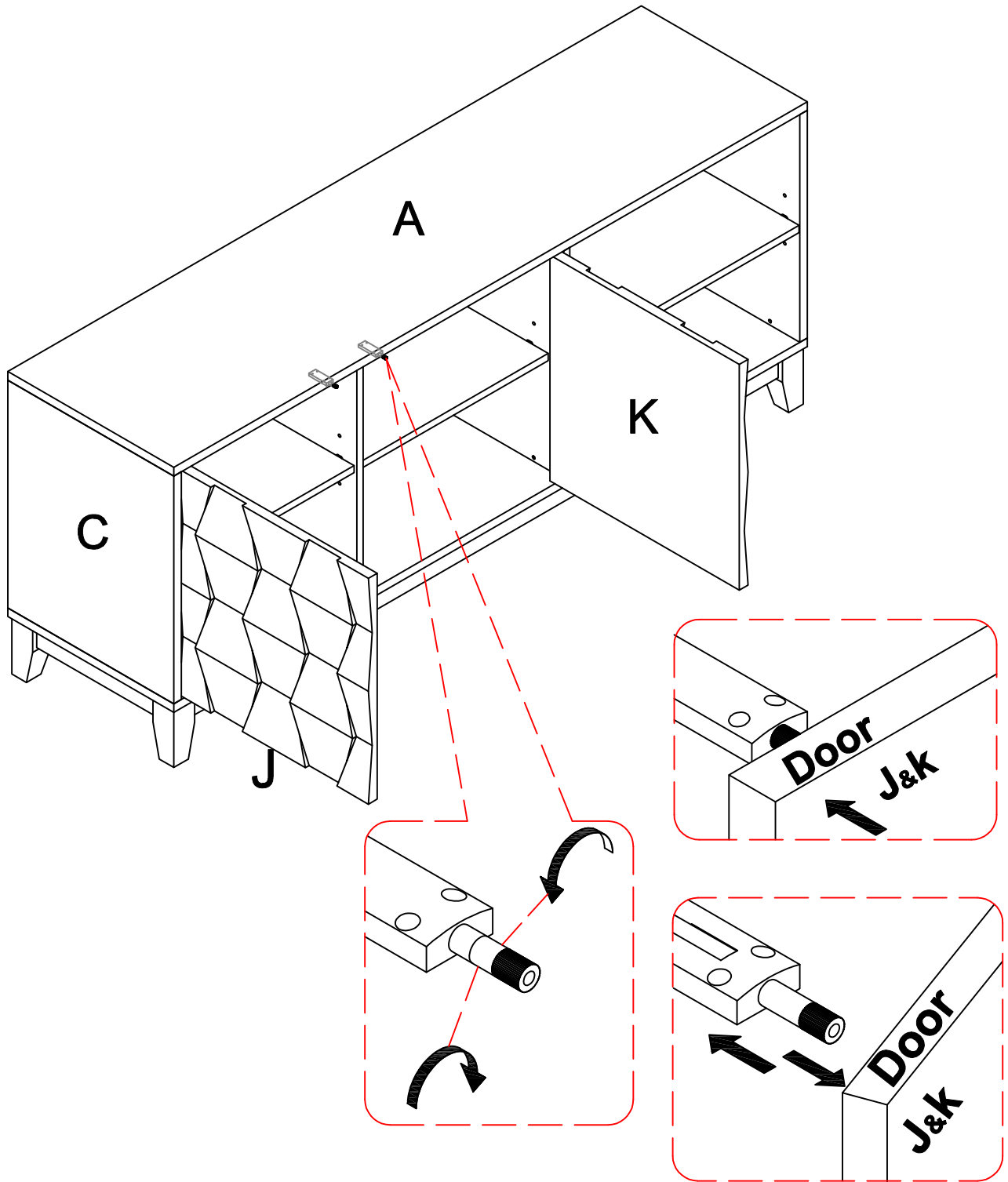
ASSEMBLY INSTRUCTIONS

STEP-12



ASSEMBLY INSTRUCTIONS

STEP-13

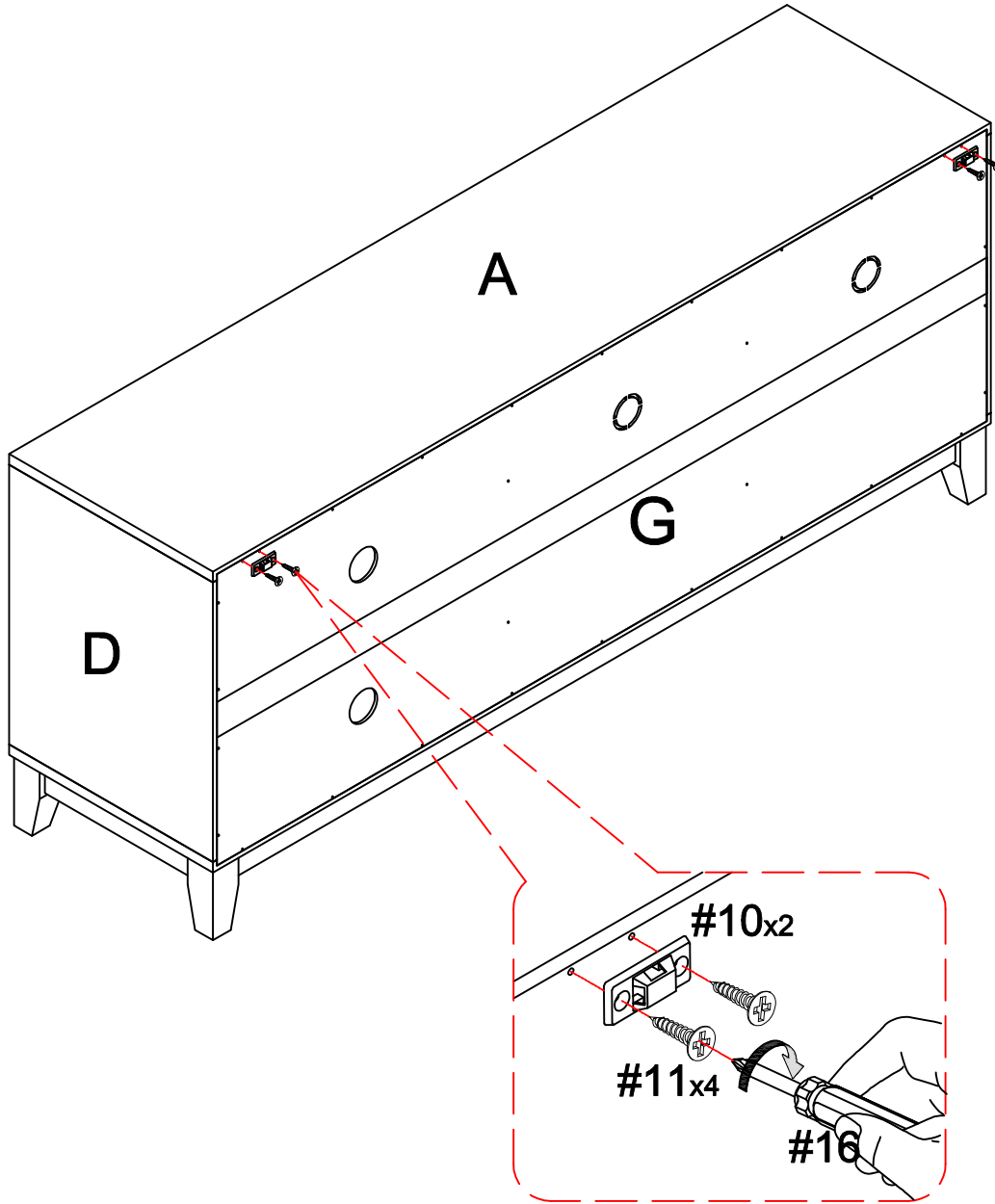


Rebound adjustment method

ASSEMBLY INSTRUCTIONS

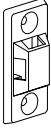


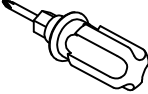
STEP-14

1. Connect part #10 to part (G) with screw #11, tight screw with screwdriver #16.



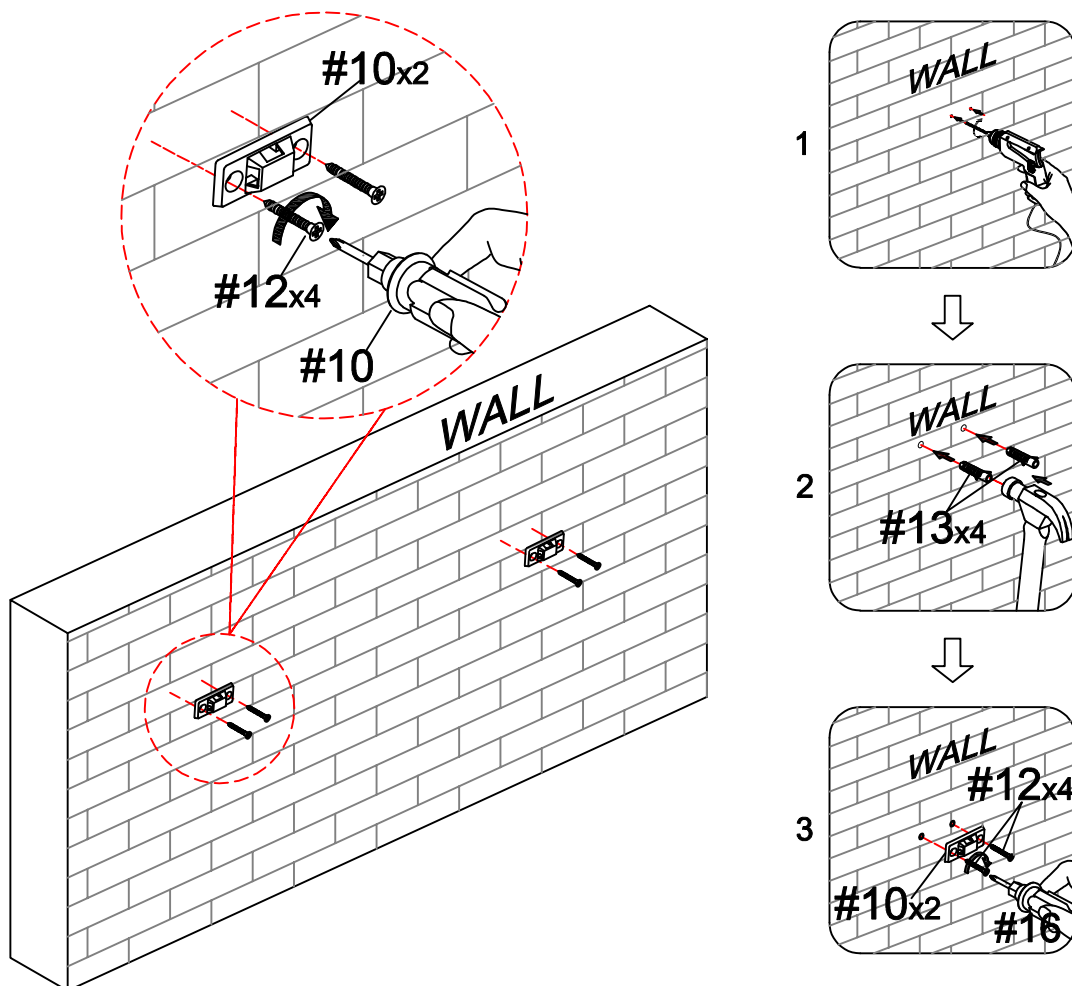
#10	x2	#11	x4	#16	x1
		φ3*16mm*6#			

ASSEMBLY INSTRUCTIONS

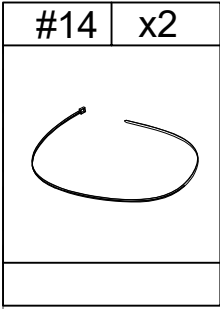
#10	x2	#12	x4	#13	x4	#16	x1
							
		φ3.5*35mm*7#					

STEP-15

1. Install the anti-collapse device.
2. Mark the position on the wall, that corresponds to the location of part (#10) on the back panel (G); Drill and insert the expandable screw (#13) by hammer.
3. Assemble the part (#10) to the wall. Align the hole in the part (#10) with the expandable screw (#13), use screw (#12) to attach it and tighten by screwdriver (#16).

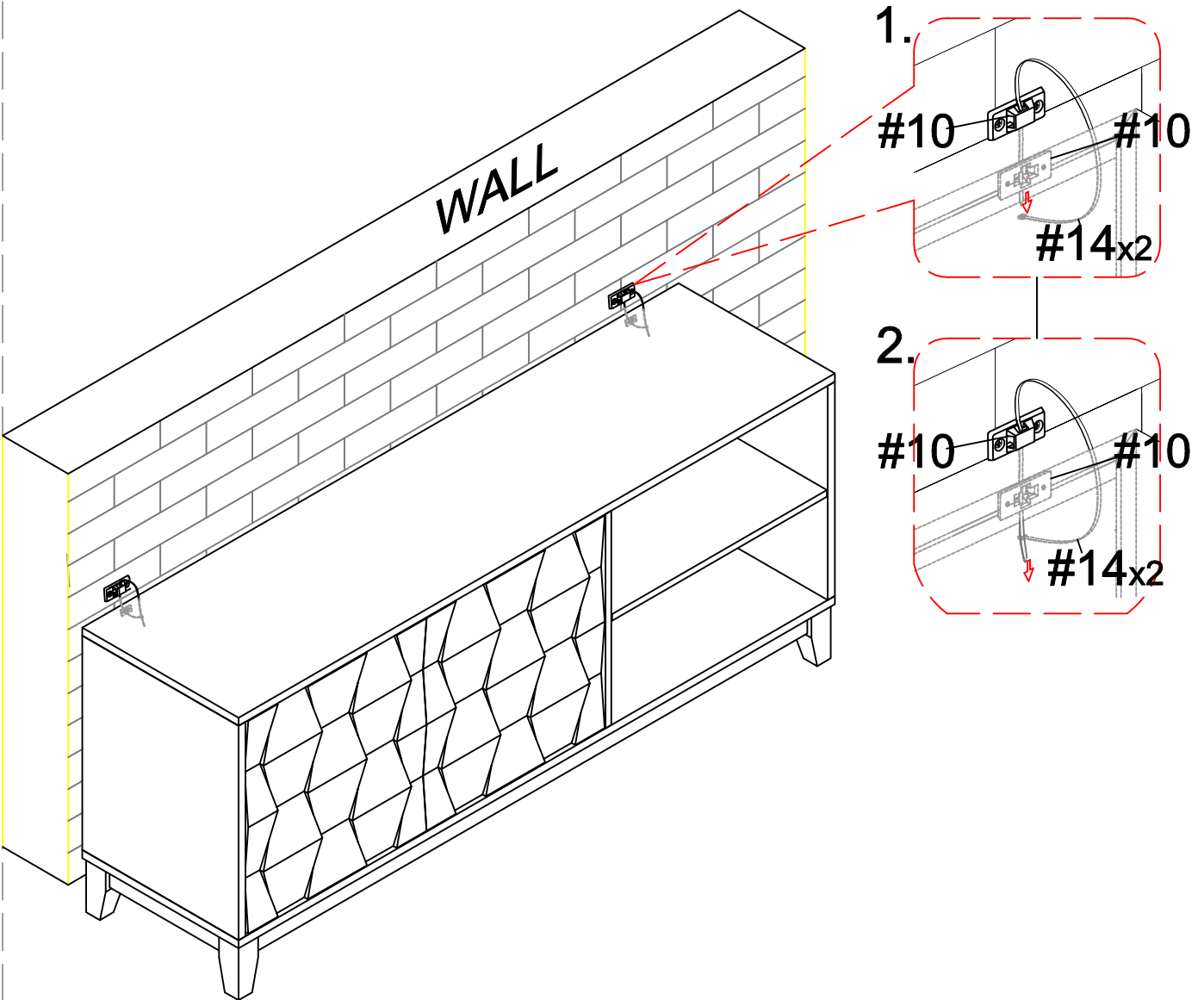


ASSEMBLY INSTRUCTIONS



STEP-16

1. Let the plastic belt (#14) pass through the both part (#10) and pull tightly.



WARRANTY

1. We strive to offer high-quality products, and we also try our best to satisfy each and every customer that orders from us with product or service as needed.
2. We provide 30 days warranty starting from the time you receive the item. Each customer must provide a record of their order such as the order number, or item receipt for any items that are out of the warranty period you may also still receive.
3. Replacement parts by purchasing them with our company if they are available.

Are you having difficulty
With assembly? Missing parts?
Please send email with your order No to
customerservice@hulalahome.com
For return, please check the return policy with
the retailer or market place you bought from.

Appreciate your purchasing from us.
Pop up your life by our furniture piece!