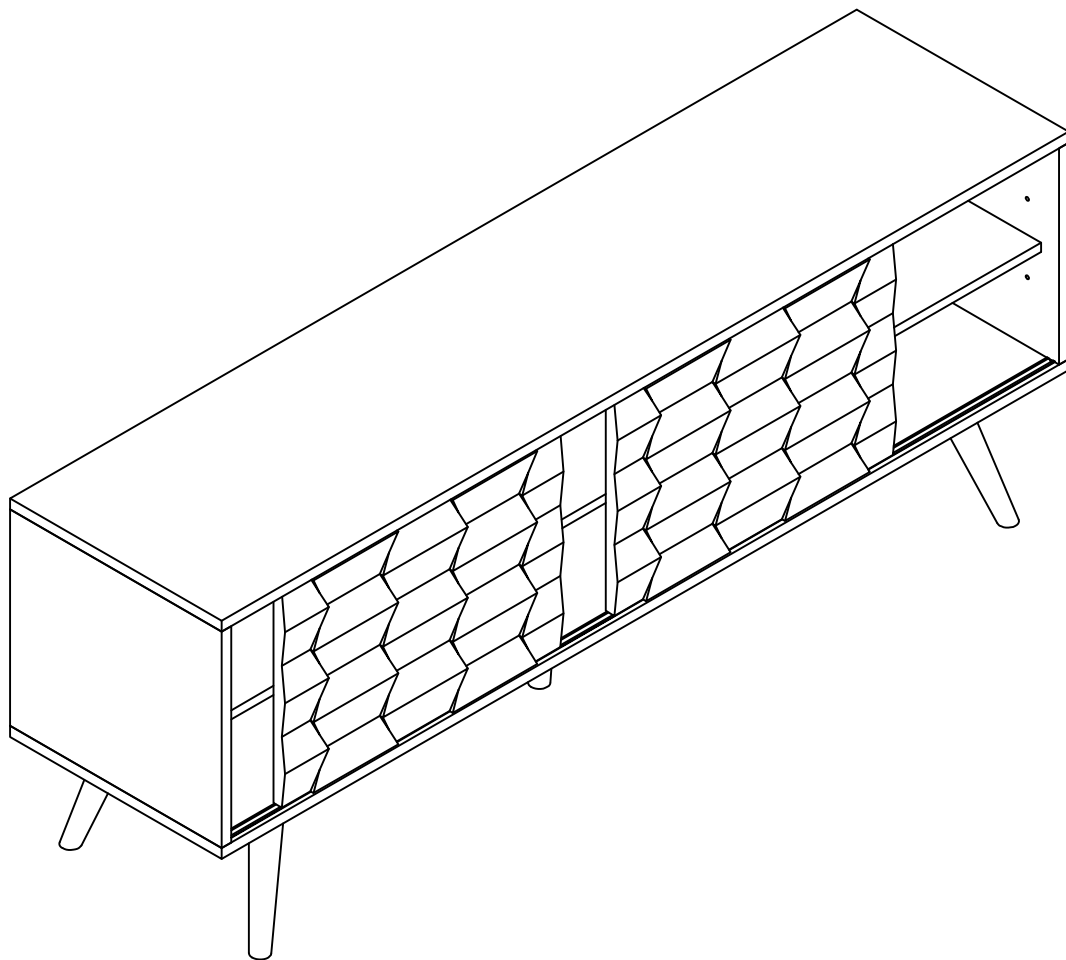


HULALA

H O M E



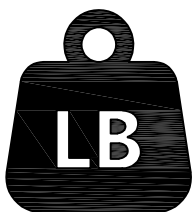
ITEM NO.TVHM1216D

NOTE:

This brochure contains IMPORTANT safety info. Please read and keep for future reference.

MAINTAINANCE AND WARNING

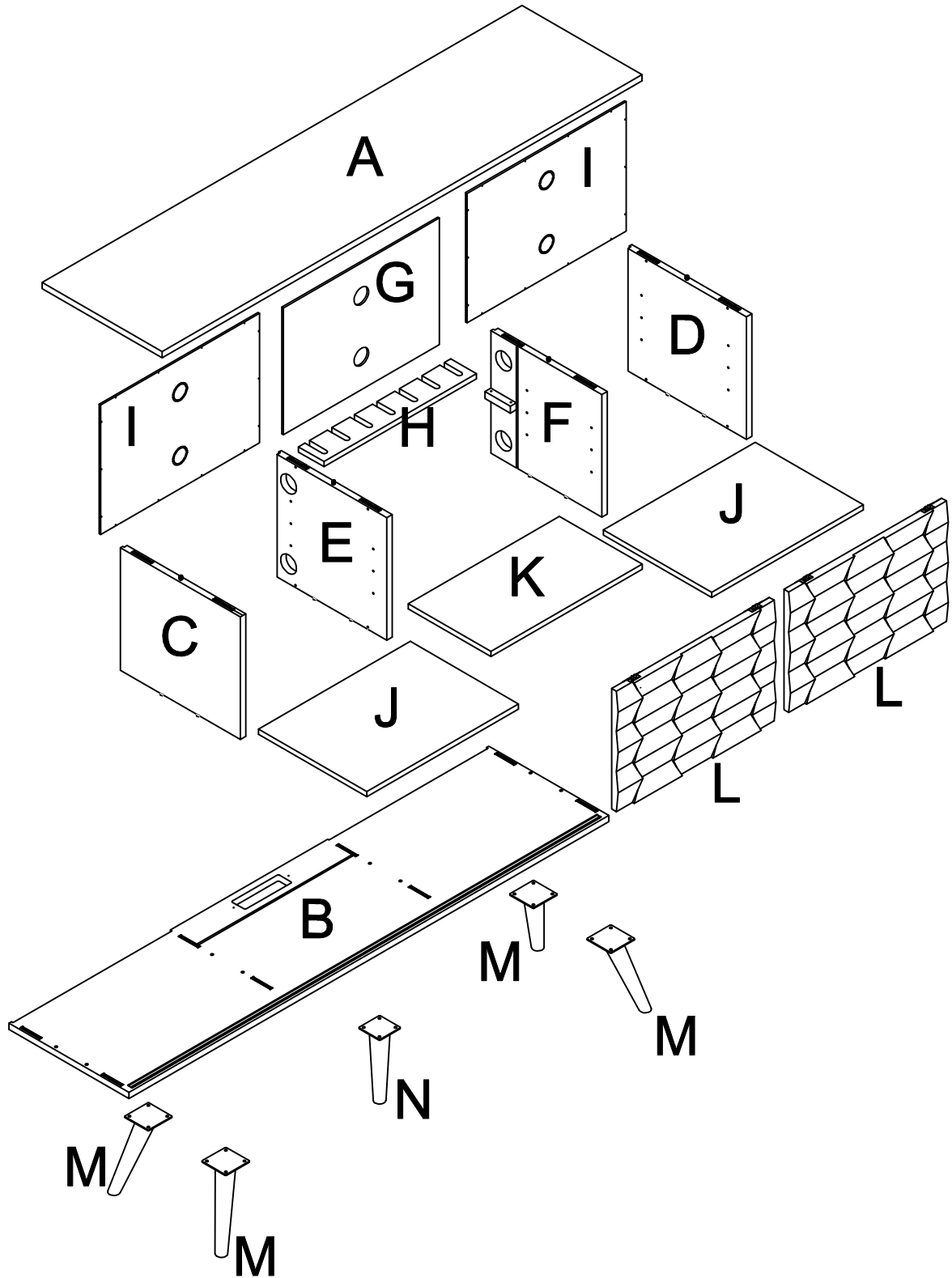
- 1.Keep furniture away from heat sources.
- 2.Do not clean furniture with harsh cleaner or polishes.Do not use detergents,solvents,abrasives,spray packs or leather cleaner. Use non-color mild soa with warm water to clean spills(Mix 1:10 soap to water).
- 3.Do not place furniture under direct sunlight,material will possibly fade over time.
- 4.Do not use on site dry cleaning machine.Children should not climb or jump on the furniture.
- 5.Do not write on furniture that is not protectedby a padded barrier.
- 6.Not for commercial use,only for residential use.



Weight Limitation

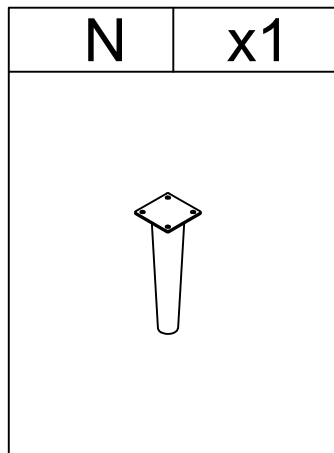
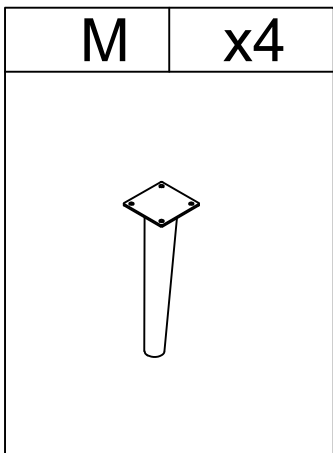
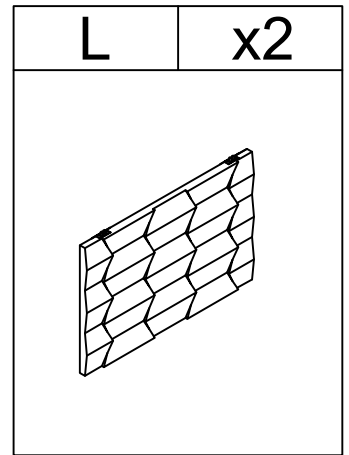
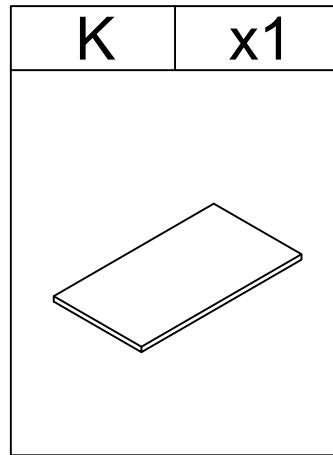
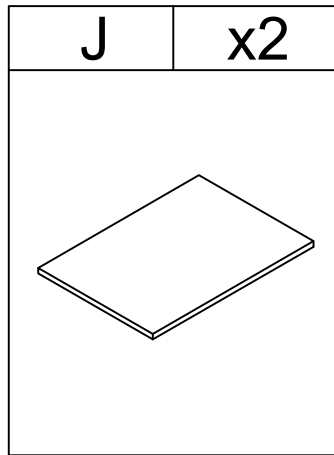
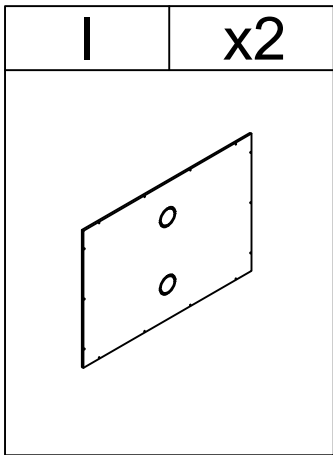
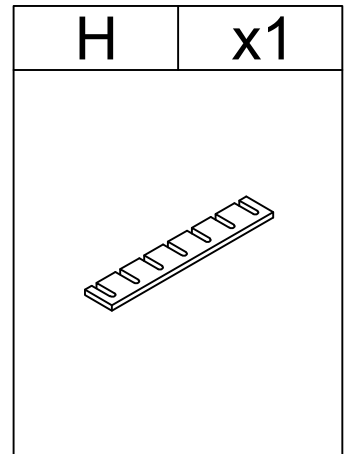
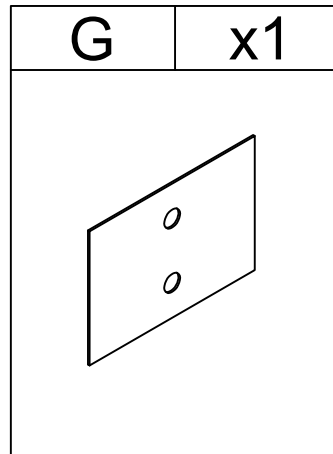
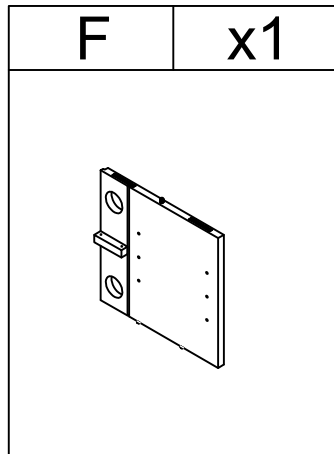
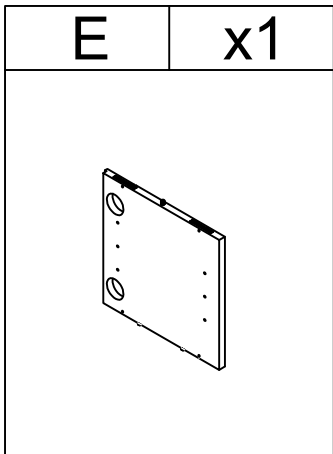
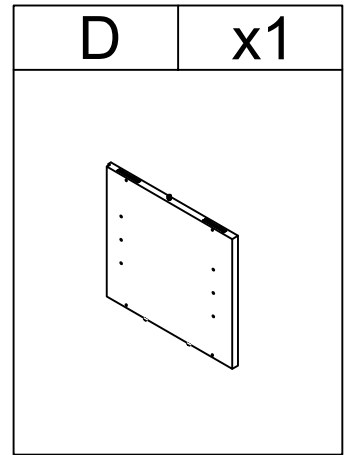
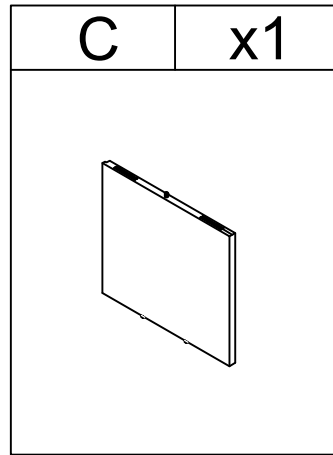
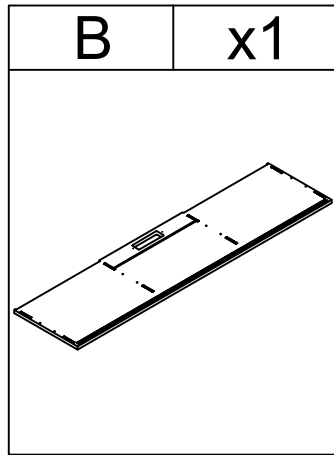
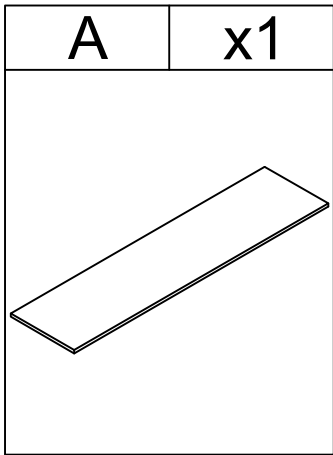
100 LBS

EXPLOSIVE VIEW

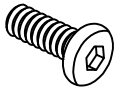


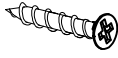
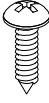

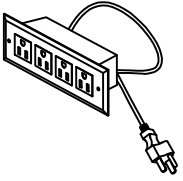

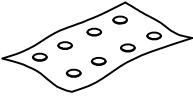


OVERVIEW

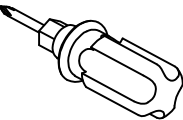
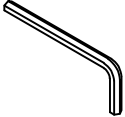
PARTS LIST



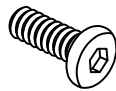


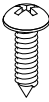
HARDWARE LIST

#1	x20	#2	x20	#3	x20	#4	x4	#5	x28	#6	x2
											
φ1/4*1/2"						φ8#*1-1/4"		φ3*14mm*6#		φ3*12mm*6#	
#7	x1	#8	x12	#9	x1						
											

TOOL LIST

#10	x1	#11	x1
			

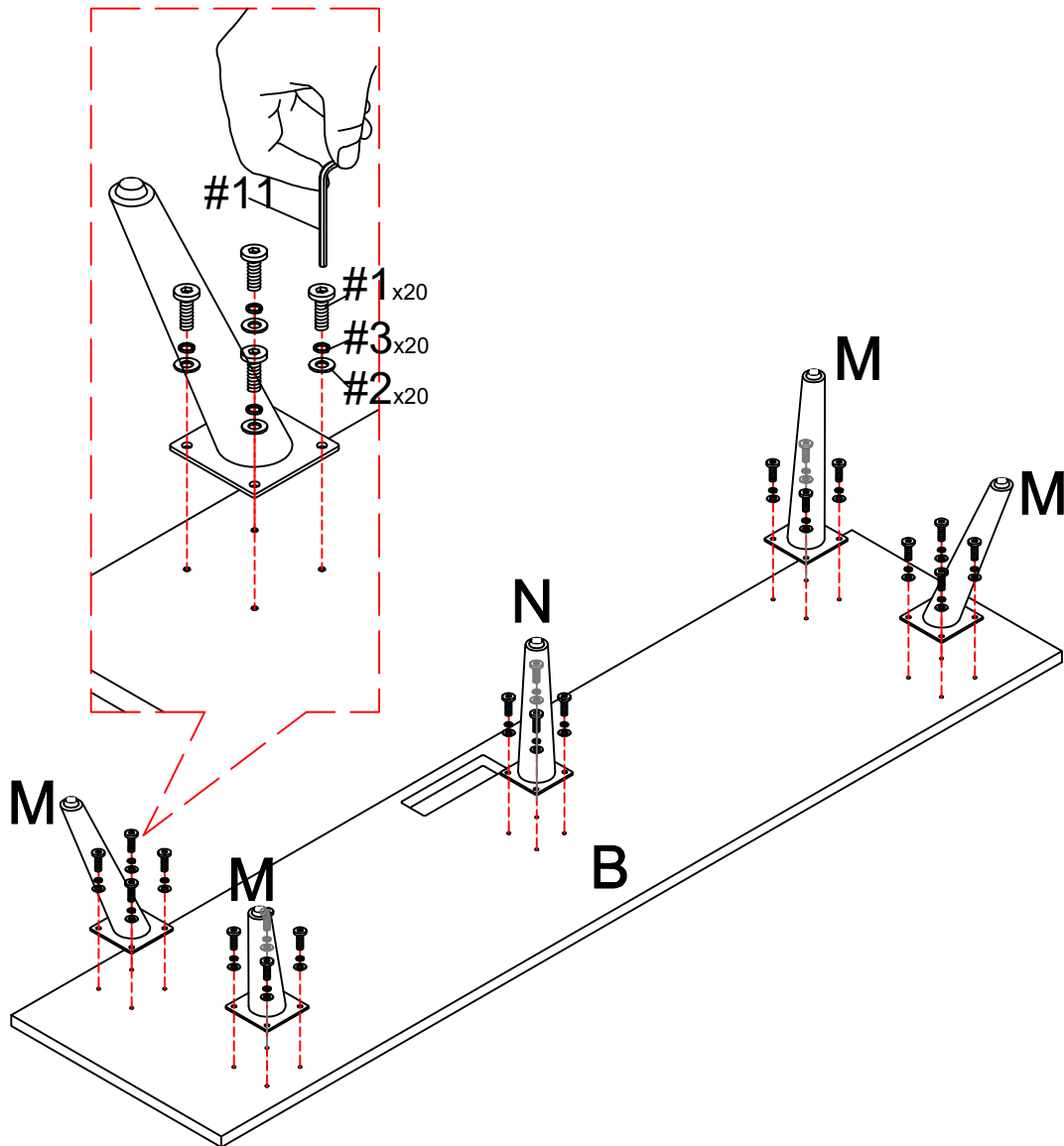
HARDWARE SPARE LIST





#1	x2	#2	x2	#3	x3	#5	x3
							
φ1/4*1/2"						φ3*14mm*6#	

ASSEMBLY INSTRUCTIONS

STEP-1

1. connect part(M/N) to part (B) with bolt #1, flat washer #2 and spring washer #3, tight them with allen wrench #11.

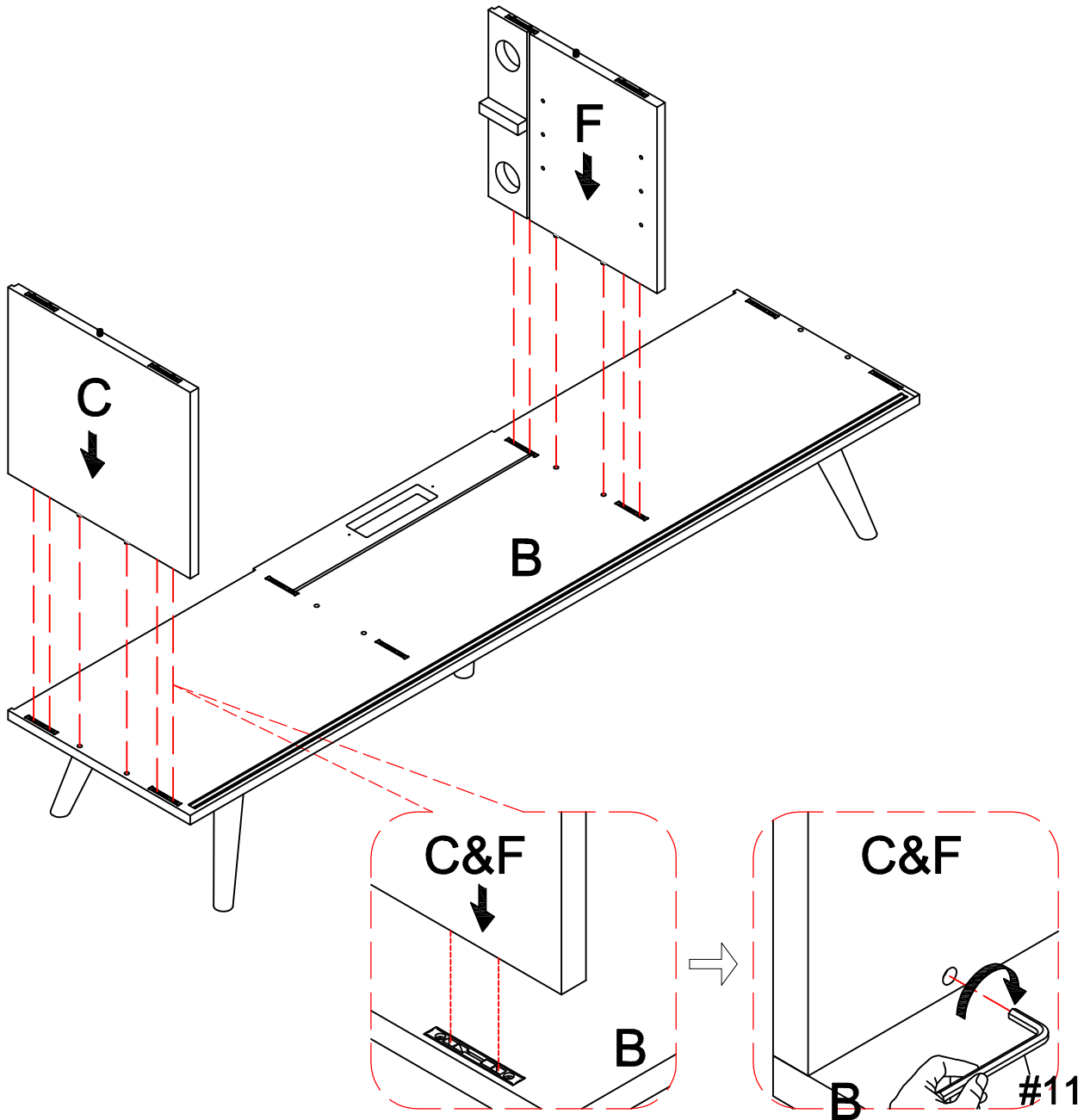


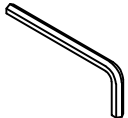
#1	x20	#2	x20	#3	x20	#11	x1
							
φ1/4*1/2"							

ASSEMBLY INSTRUCTIONS

STEP-2

1.insert part(C/F) to part (B), make sure all holes aligned and tight it with allen wrench #11.

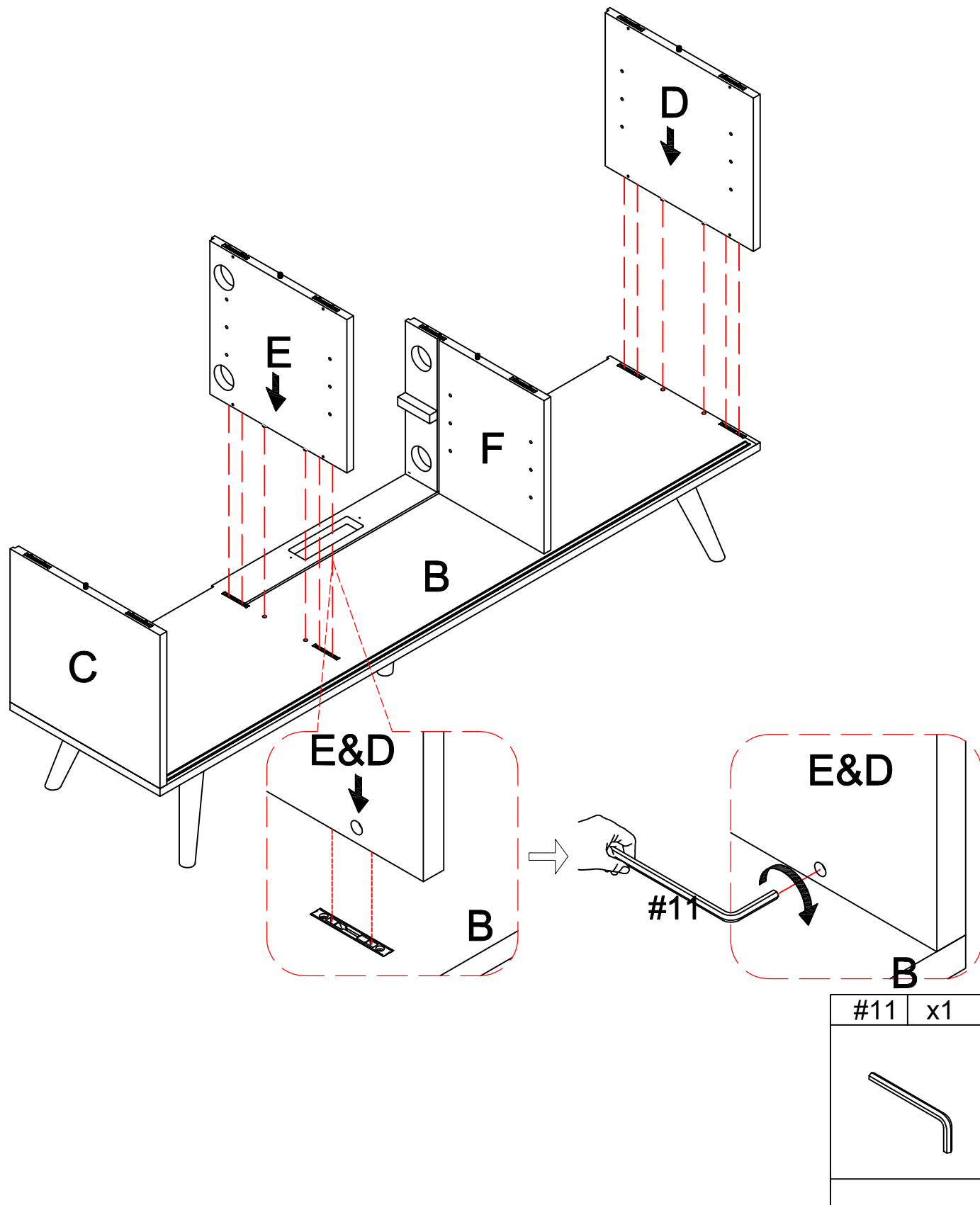


#11	x1
	

ASSEMBLY INSTRUCTIONS

STEP-3

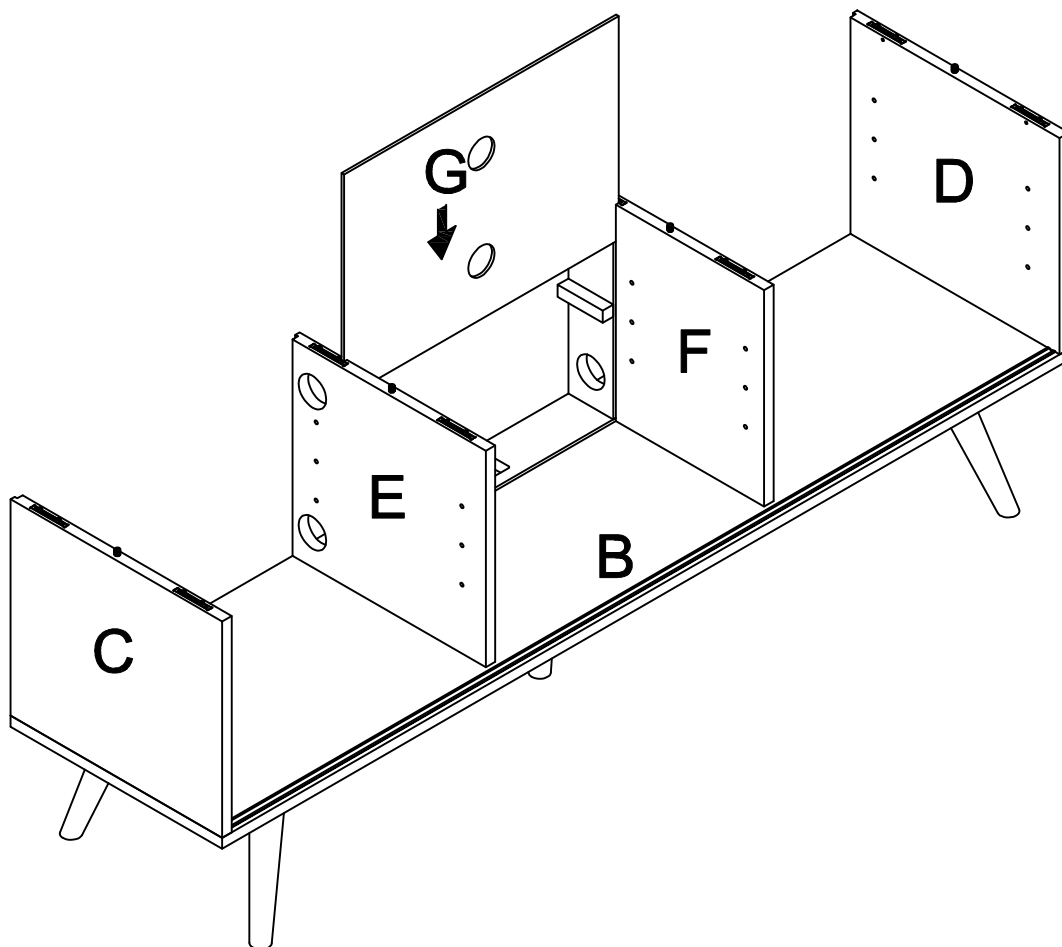
1.insert part(E/D) to part (B), make sure all holes aligned and tight it with allen wrench #11.



ASSEMBLY INSTRUCTIONS

STEP-4

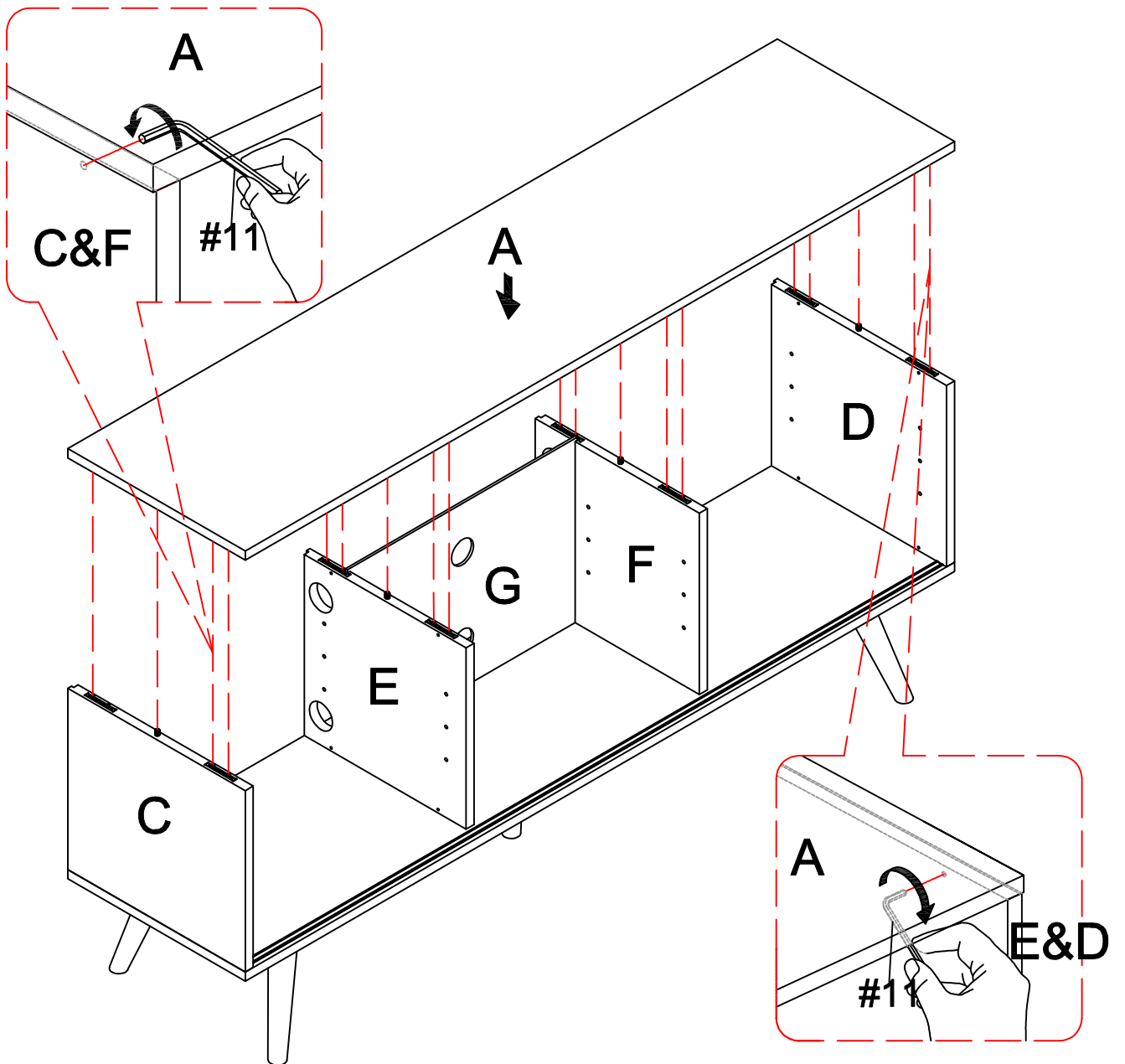
1. slide part (G) to part (E/F), make sure it also in the groove of part (B).

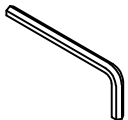


ASSEMBLY INSTRUCTIONS

STEP-5

1.insert part(A) to the unit pre-assembled at the step 4, make sure all holes aligned and tight it with allen wrench #11.

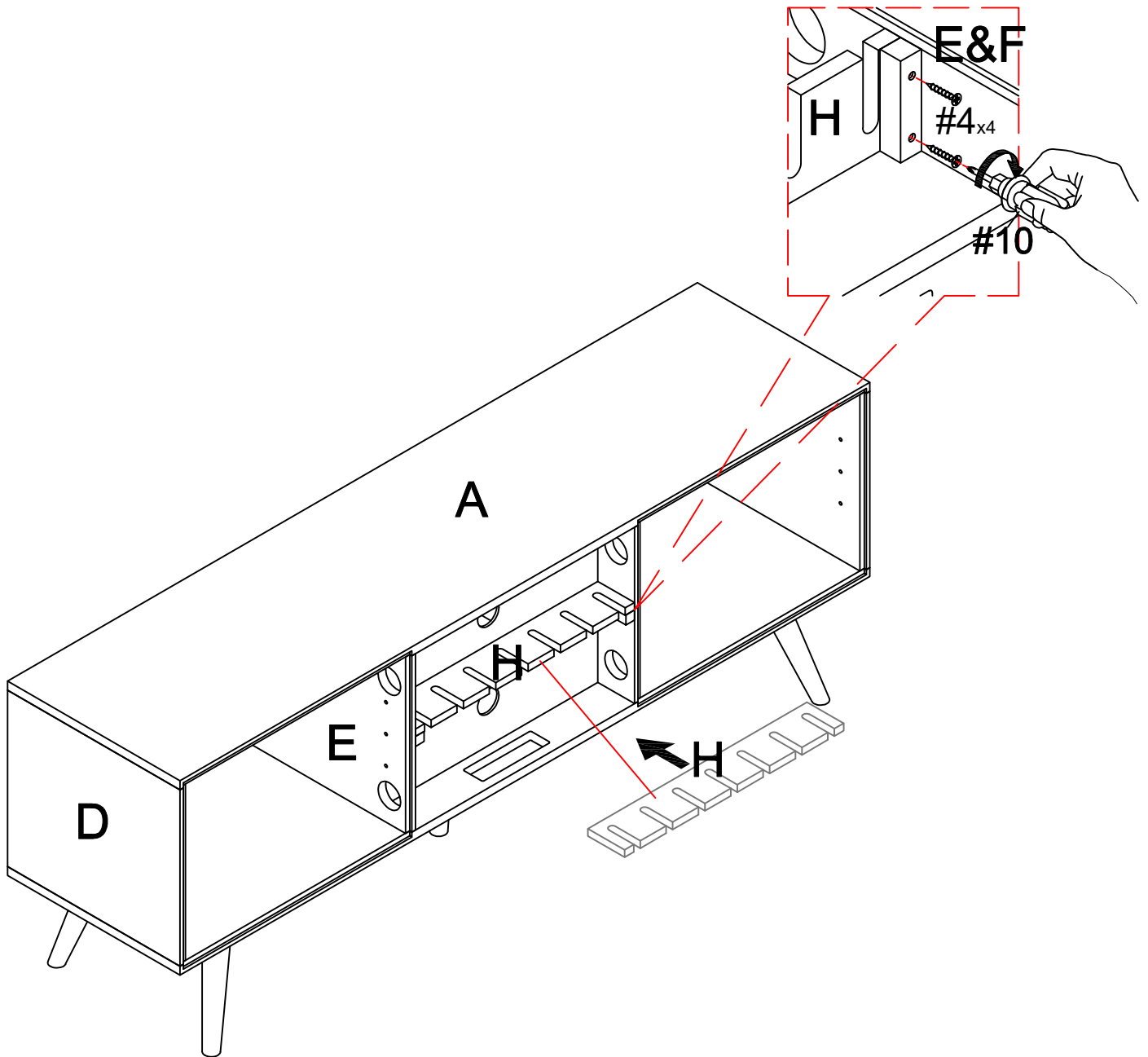


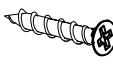
#11	x1
	

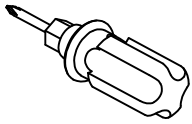
ASSEMBLY INSTRUCTIONS

STEP-6

1. connect part(H) to part (E/F) with screw #4,, tight screw with screwdriver #10.



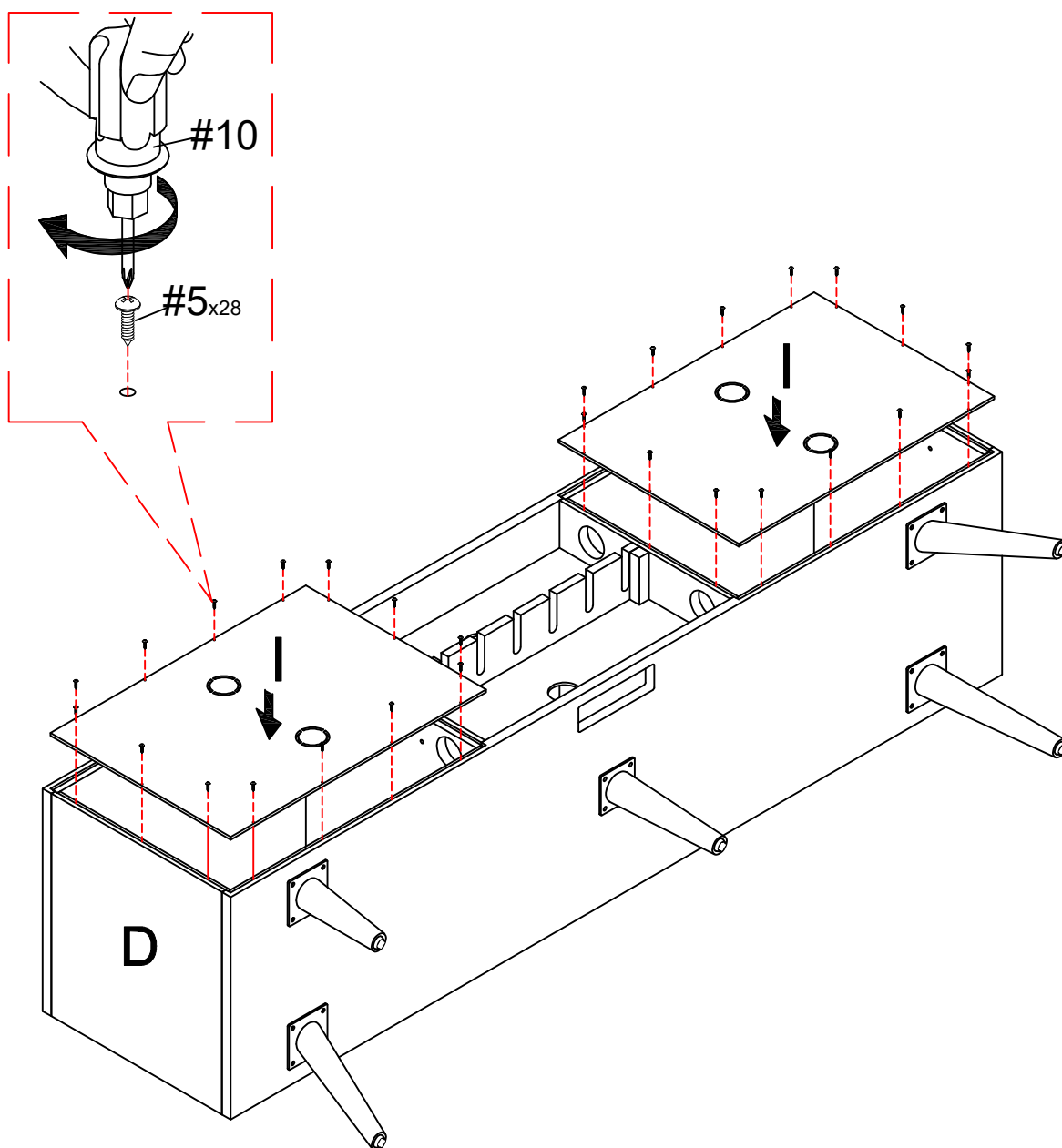
#4	x4
	
φ8#*1-1/4"	

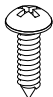
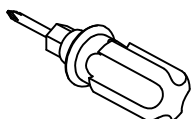
#10	x1
	

ASSEMBLY INSTRUCTIONS

STEP-7

1. connect part(I) to the unit pre-assembled at step 6 with screw #5, tight screw with screwdriver #10.

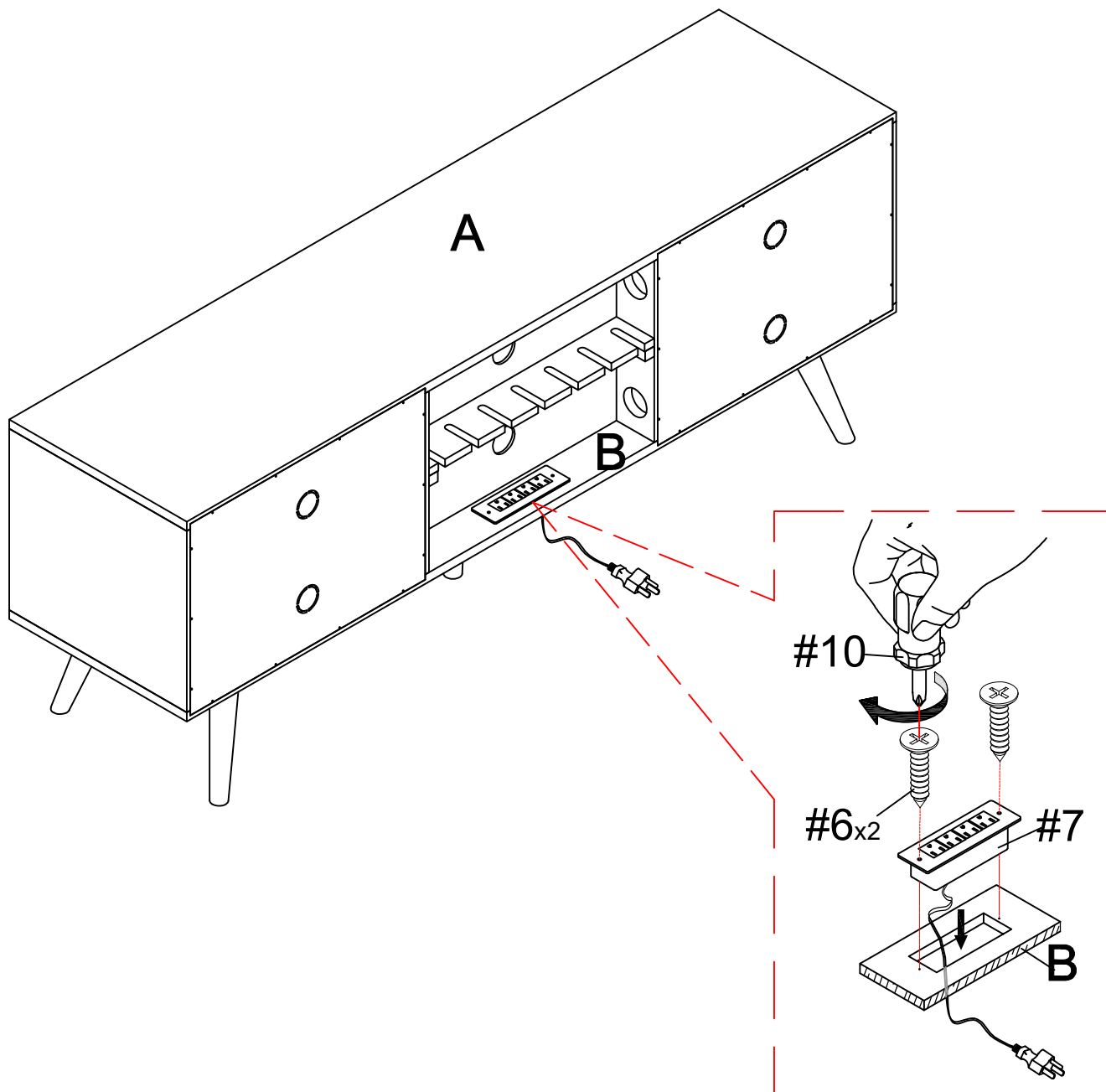



#5	x28	#10	x1
			
φ3*15mm*7#			

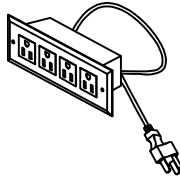
ASSEMBLY INSTRUCTIONS

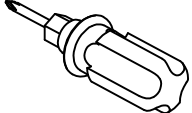
STEP-8

1. connect part #7 to part (B) with screw #6, tight screw with screwdriver #10.



#6	x2
	
ø3*12mm	

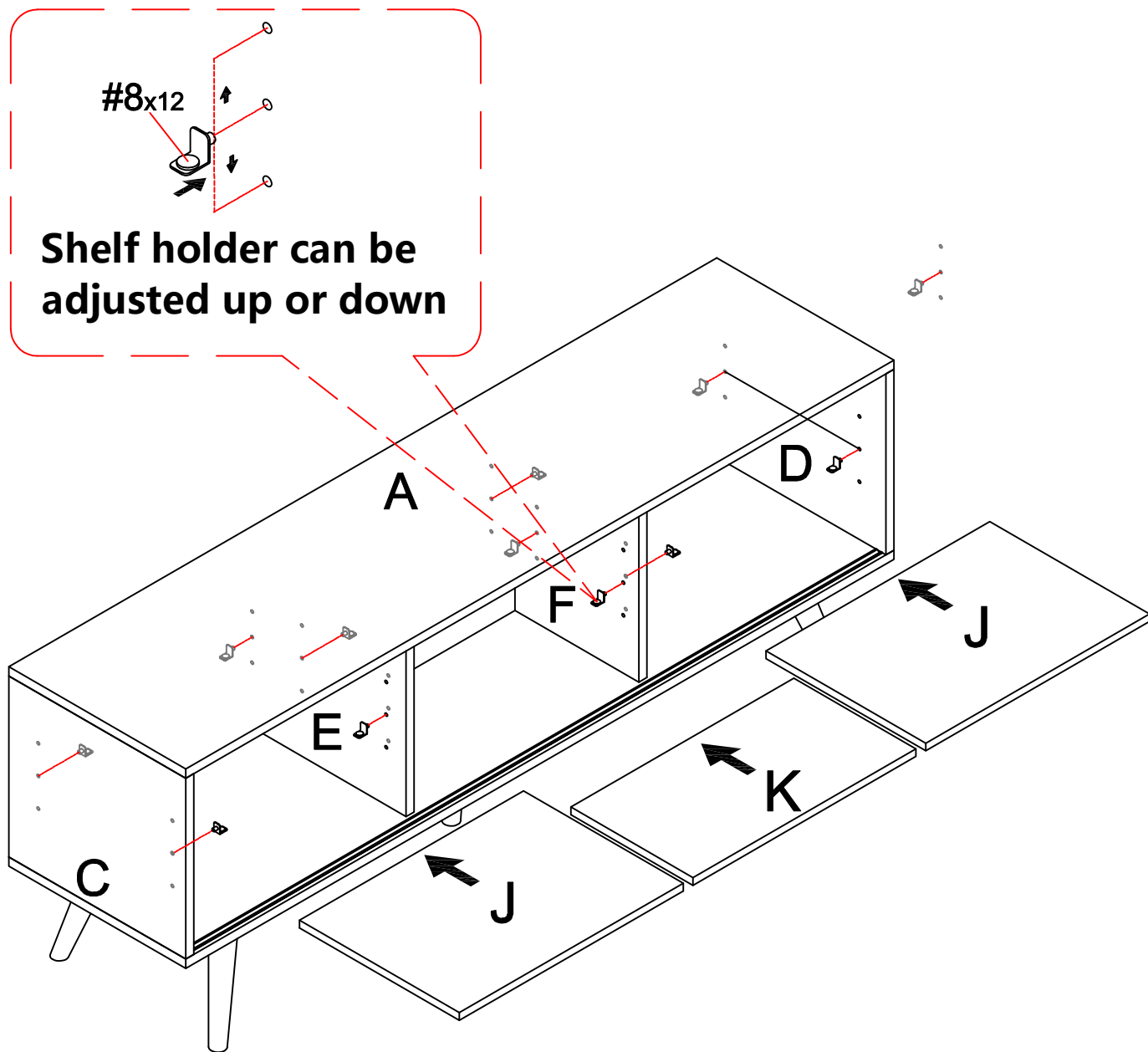
#7	x1
	

#10	x1
	

ASSEMBLY INSTRUCTIONS

STEP-9

1.insert part #8 to part (C/D/E/F) with hand, and attach part (J/K) to it.

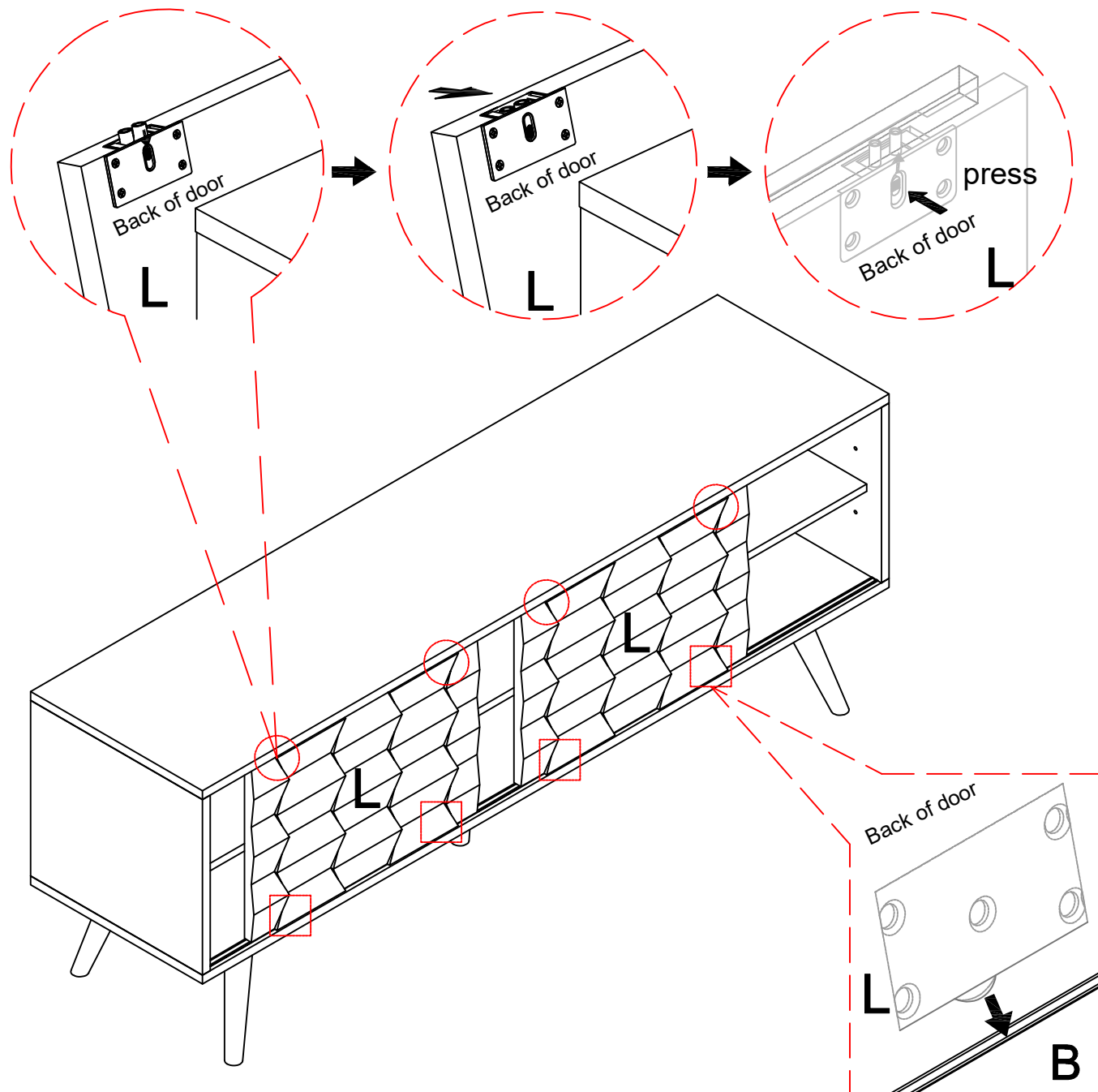


#8	x12

ASSEMBLY INSTRUCTIONS

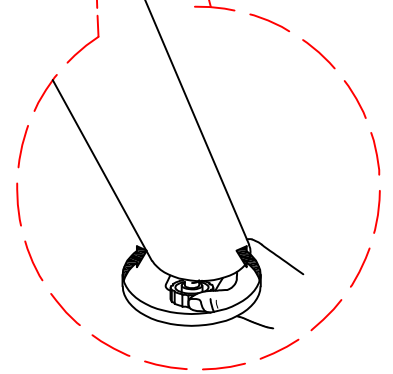
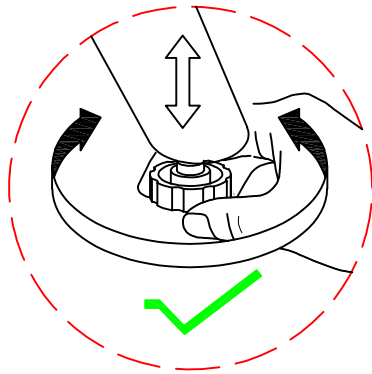
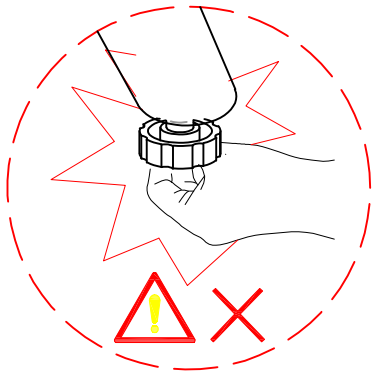
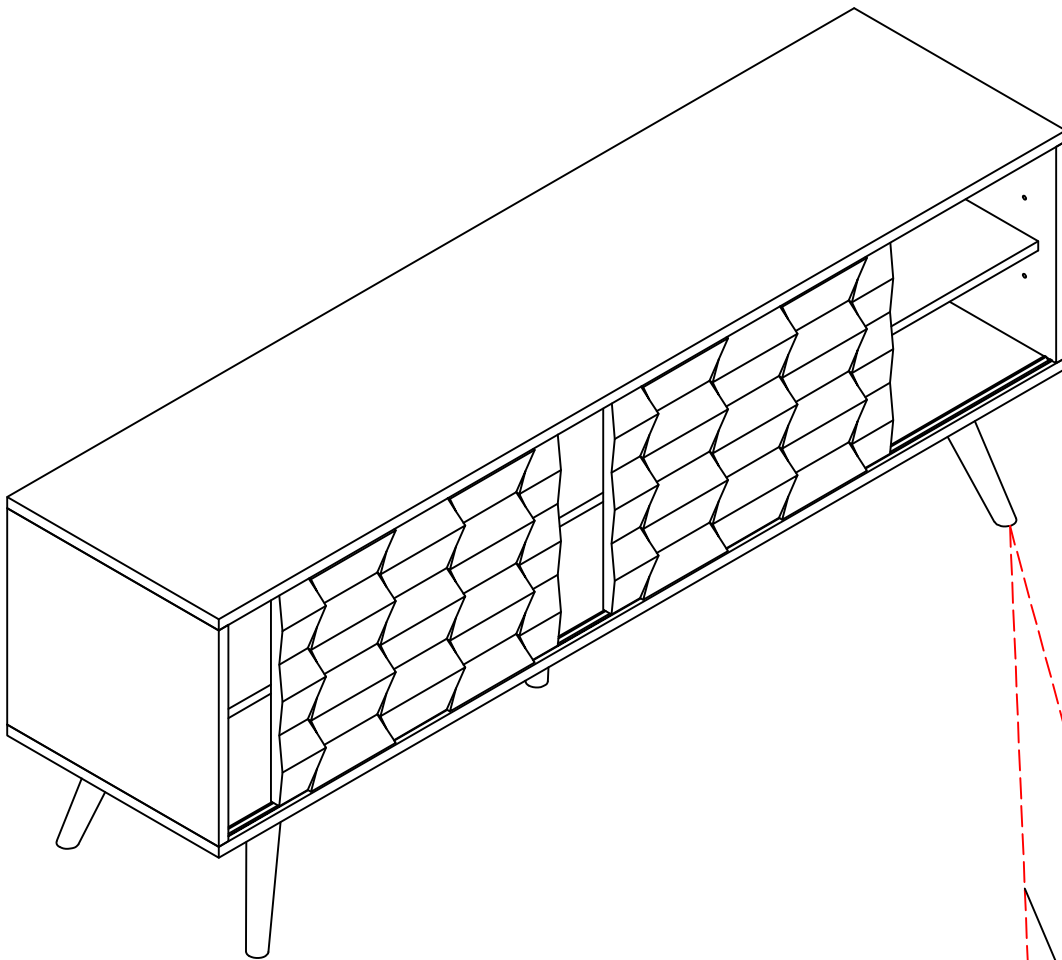
STEP-10

1. picture show, install the door panel to the unit pre-assembled unit at step 9, move bottom.



ASSEMBLY INSTRUCTIONS

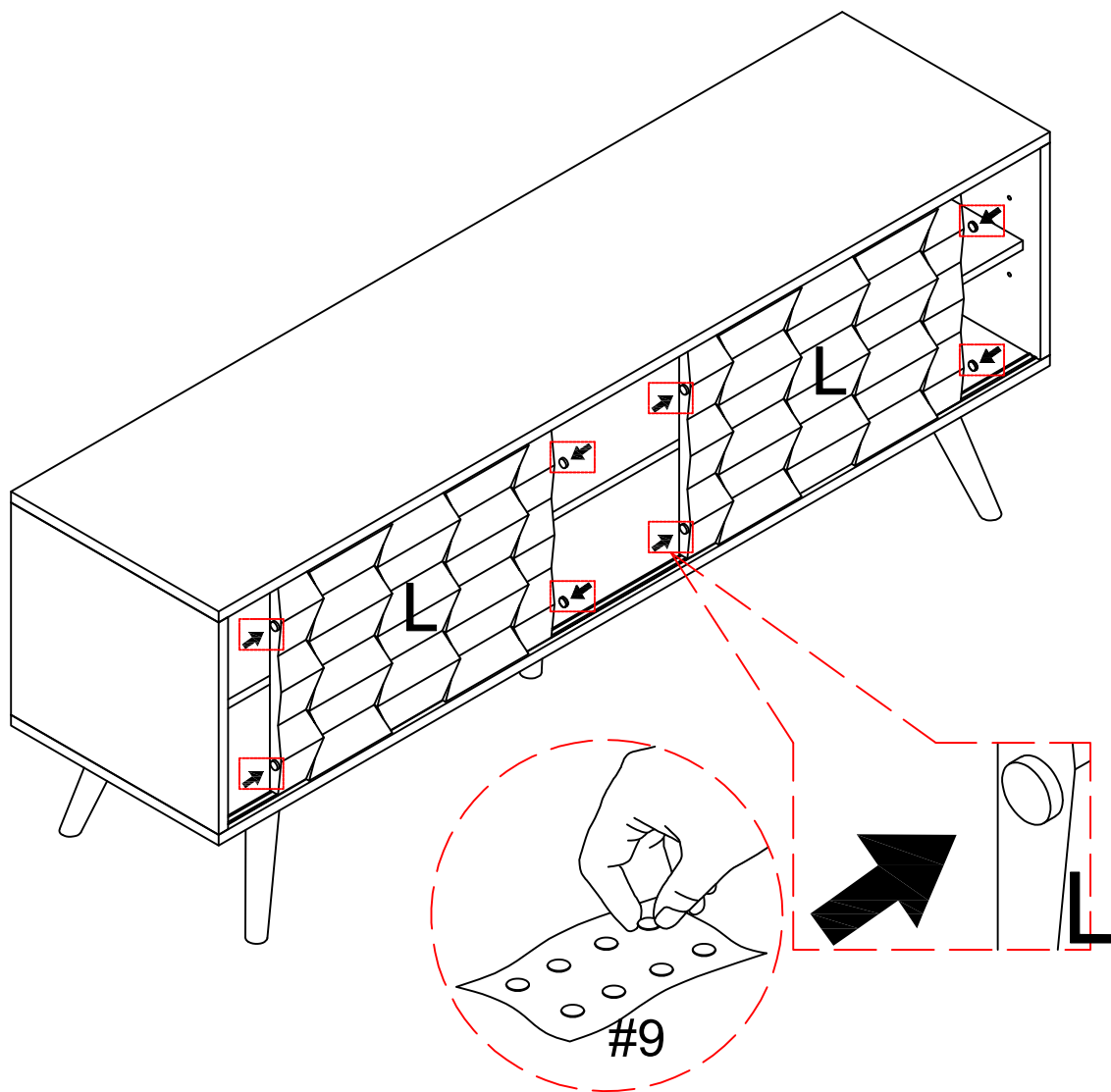
STEP-11

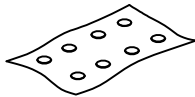


ASSEMBLY INSTRUCTIONS

STEP-12

1. attach the anti-collision pad #9 to the door panel.



#9	x1
	

WARRANTY

1. We strive to offer high-quality products, and we also try our best to satisfy each and every customer that orders from us with product or service as needed.
2. We provide 30 days warranty starting from the time you receive the item. Each customer must provide a record of their order such as the order number, or item receipt for any items that are out of the warranty period you may also still receive.
3. Replacement parts by purchasing them with our company if they are available.

Are you having difficulty
With assembly? Missing parts?
Please send email with your order No to
customerservice@hulalahome.com
For return, please check the return policy with
the retailer or market place you bought from.

Appreciate your purchasing from us.
Pop up your life by our furniture piece!