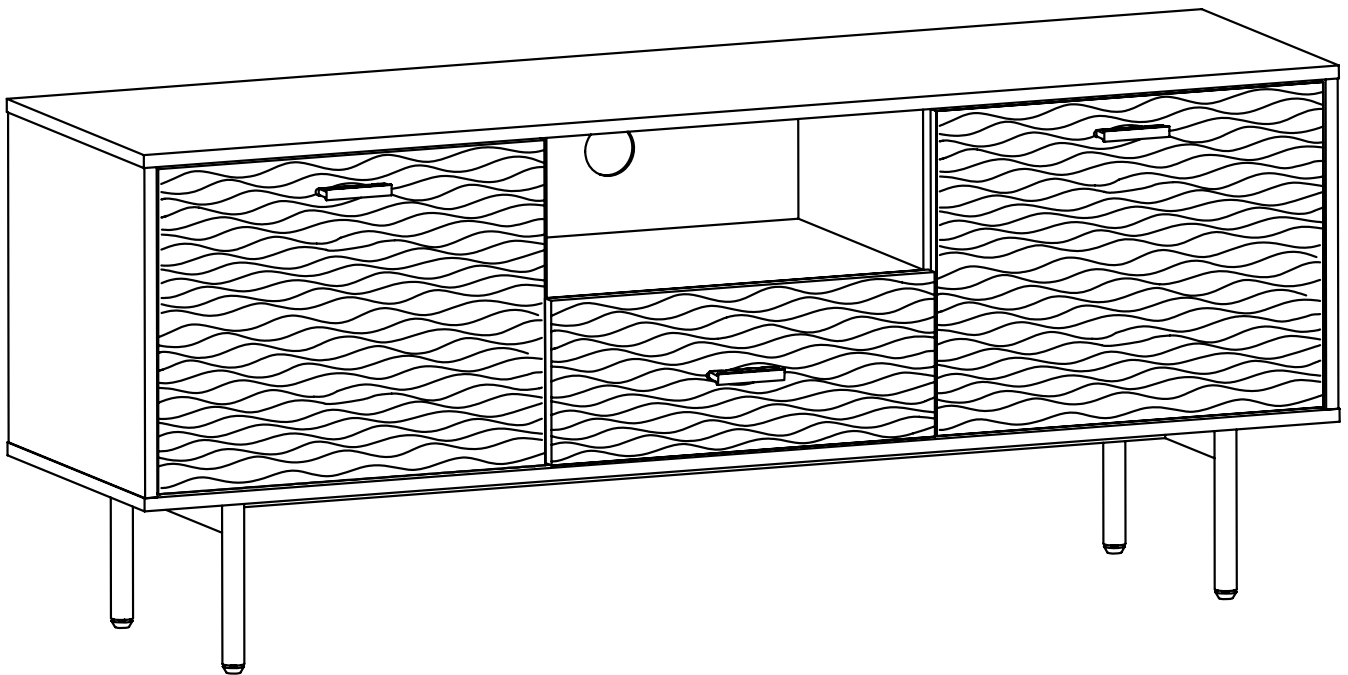


HULALA
H O M E



ITEM NO. TVSD0730

NOTE:

This brochure contains IMPORTANT safety info. Please read and keep for future reference.

MAINTAINANCE

AND WARNING

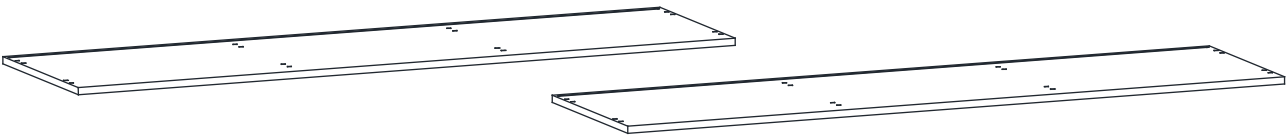
- Keep furniture away from heat.
- Do not clean furniture with harsh cleansers or polish. Do not use detergents, Solvents, abrasives, spray packs or leather cleaner. Use non-color mild soap with warm water clean spills(Mix 1:10 soap to water)
- Do not place furniture under direct sunlight, material will possibly fade over time.
- Do not use on site dry Cleaning machine.
- Children should not climb or jump on the furniture.
- Do not write on furniture without a padded barrier to protect the surface.
- Not for commercial use, For residential use only.



Weight Limitation

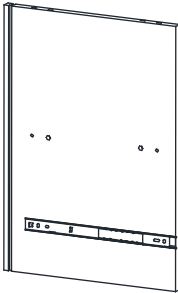
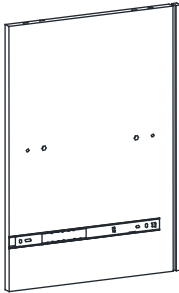
80LBS

PARTS LIST



① x1

② x1

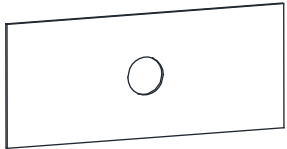
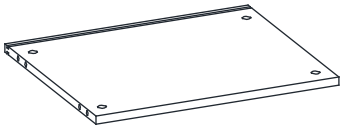


③ x1

④ x1

⑤ x1

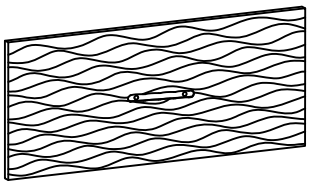
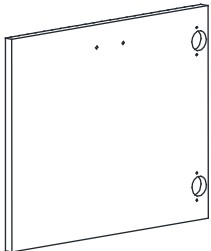
⑥ x1



⑦ x1

⑧ x2

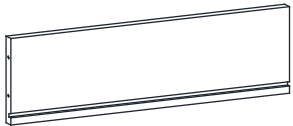
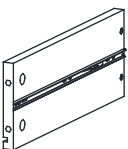
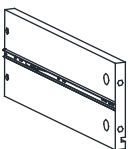
⑨ x1



⑩ x1

⑪ x1

⑫ x1

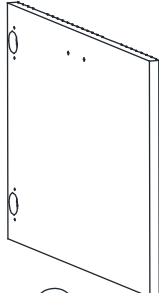
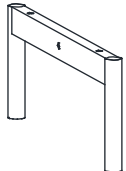


⑬ x1

⑭ x1

⑮ x1

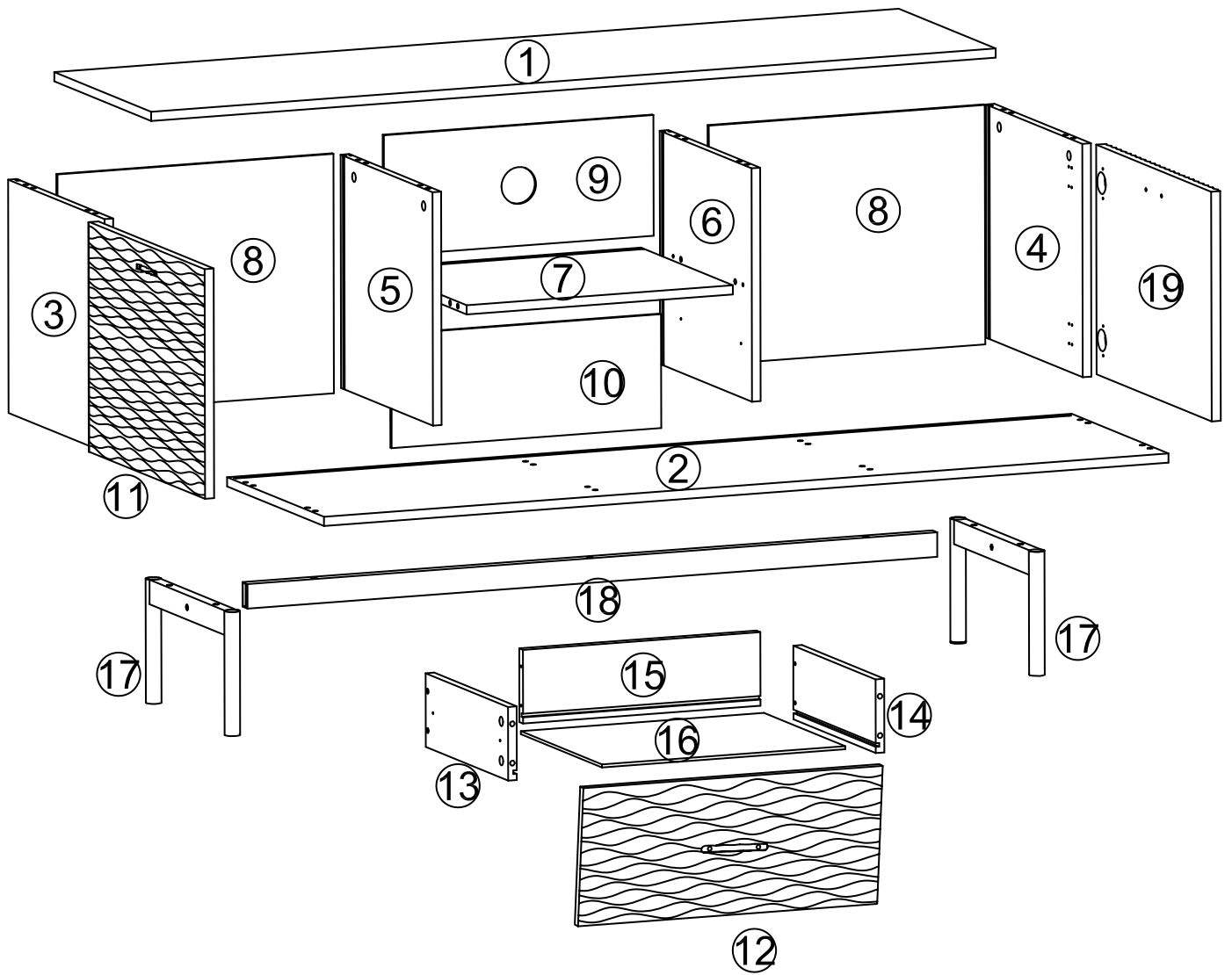
⑯ x1



⑰ x2

⑱ x1










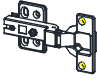









⑲ x1



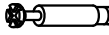


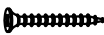

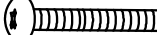
Explosive View

HARDWARE

LIST

A	x16	B	x16	C	x8	D	x20	E	x44	F	x16	G	x8	H	x2
															
M6*35mm		∅15mm		M7*50mm		∅8*30mm		∅3.5*14mm				∅4*35mm			
I	x4	J	x4	K	x3	L	x6	M	x9	N	x16	O	x4	P	x1
															
						M4*18mm		M6*50mm						M4	
Q	x4	R	x4												
															

SPARE

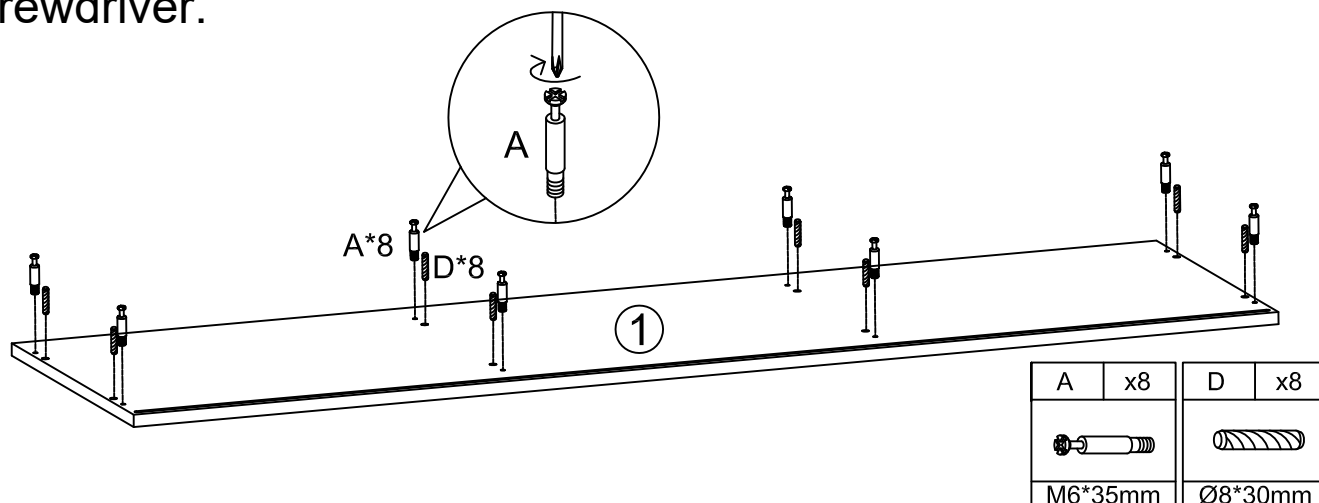
A	x1	C	x1	E	x4	G	x1	L	x1	M	x1
											
M6*35mm		M7*50mm		∅3.5*14mm		∅4*35mm		M4*18mm		M6*50mm	

Be sure to check all packing material carefully for small parts, which may have come loose inside the carton during shipment.

ASSEMBLY INSTRUCTIONS

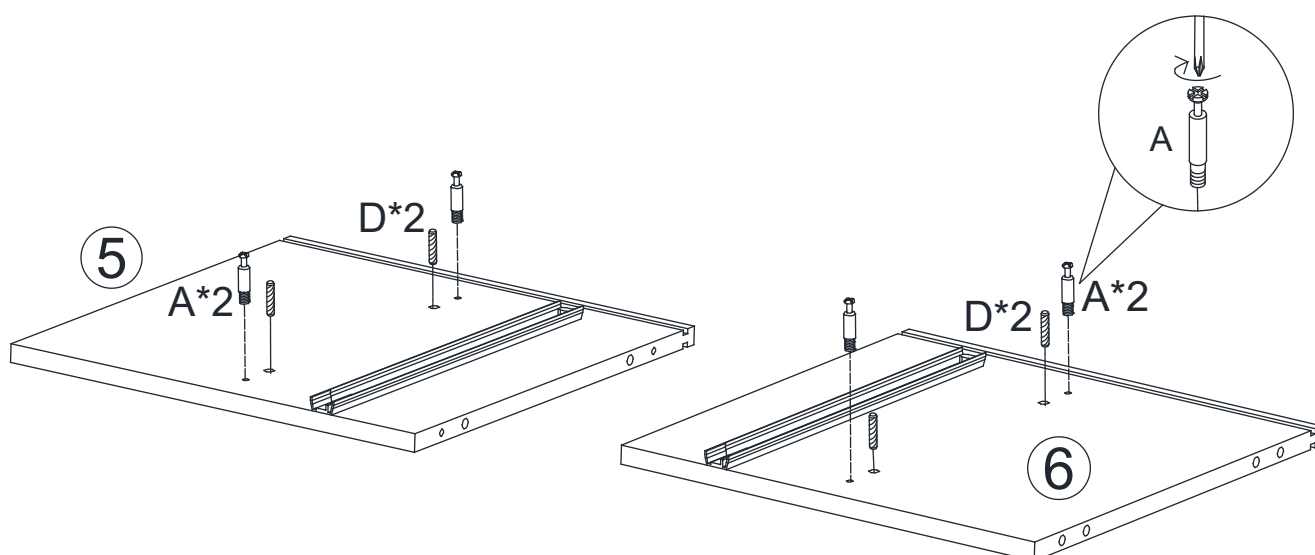
STEP 1

Preparing part 1. align the hole in the part 1, insert the wooden dowel D by hand, screw and tighten the A by screwdriver.



STEP 2

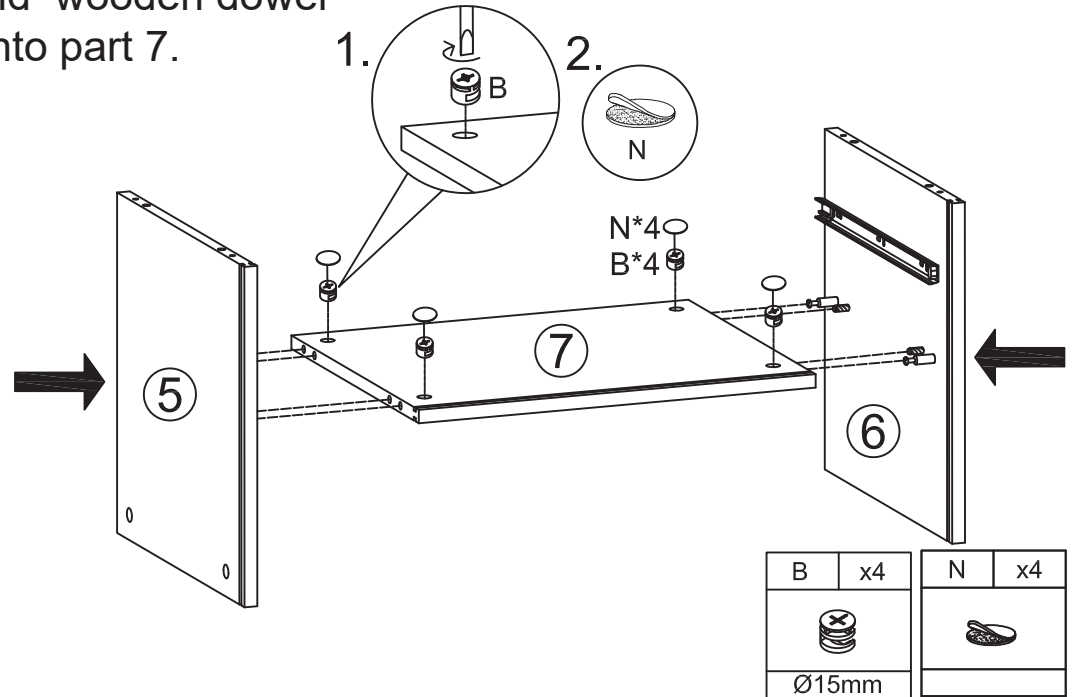
Preparing part 5 and 6. align the hole in the part 5 and 6, insert the wooden dowel D by hand, screw and tighten the A by screwdriver.



STEP 3

Connect the part 7 with part 5 and 6. align the hole in the part 7, insert the bolt A and wooden dowel D in part 5 and 6 into part 7.

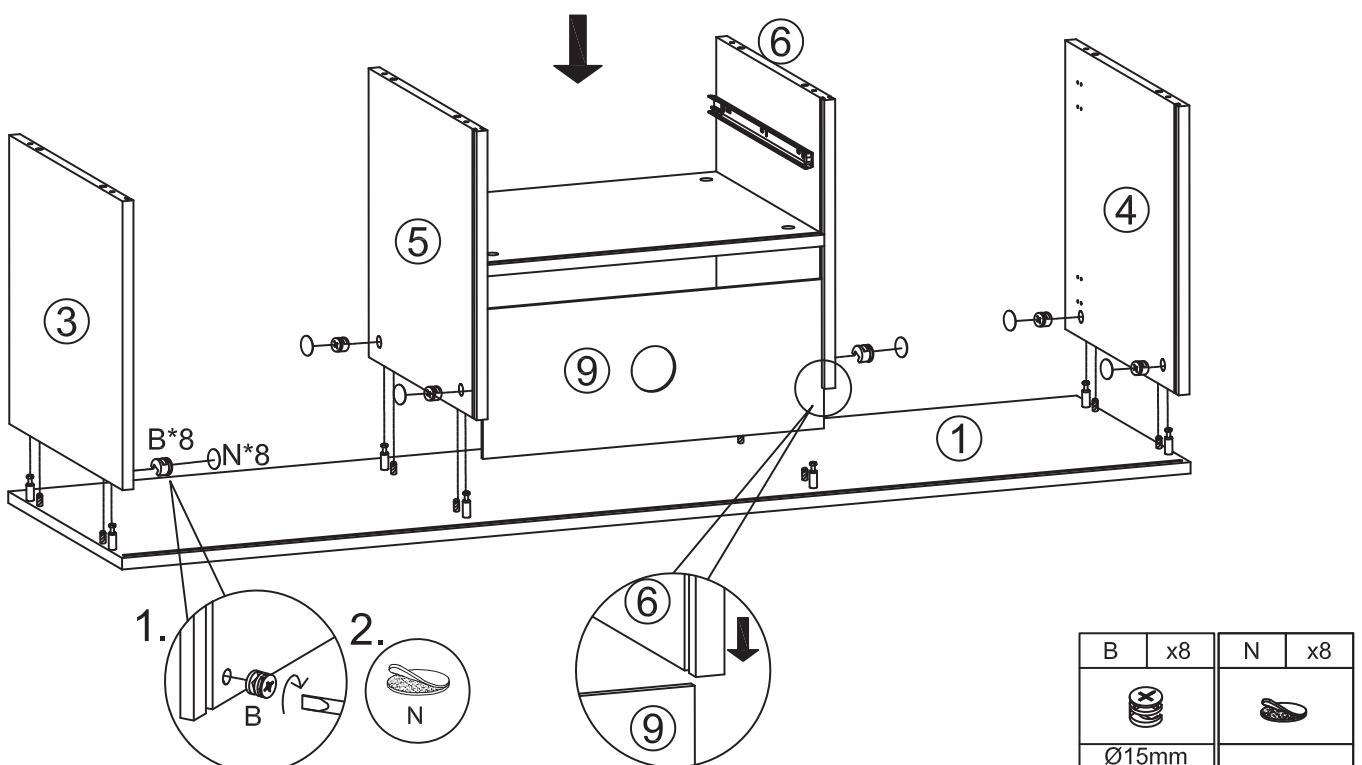
tighten with the nut B. cover the screw hole after installation is finished. Make sure the groove is in same side as picture show.



STEP 4

Slide in the part 9 into the groove in part 5,6 and 1, then align the hole in the part 1 and insert the bolt A and wooden dowel D in part 5 and 6, tighten the nut B by screwdriver and cover the screw hole by lid N after the installation is finished.

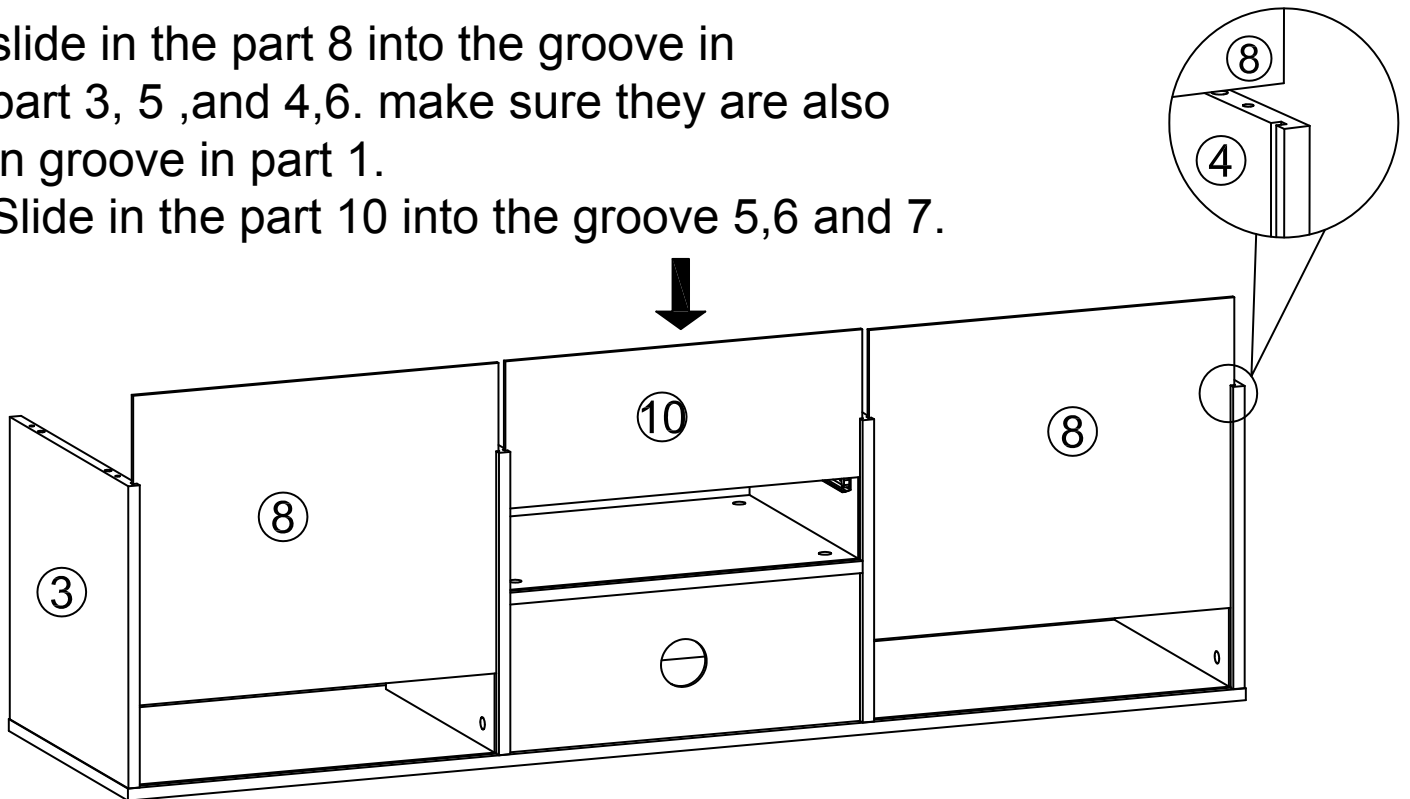
Connect the part 3 and 4 with part 1. Align the hole in the part 1 and insert the hole in part 1, tighten the nut B by screwdriver and cover the hole by the wooden dowel D and bolt A into lid N after installation is finished.



STEP 5

slide in the part 8 into the groove in part 3, 5, and 4,6. make sure they are also in groove in part 1.

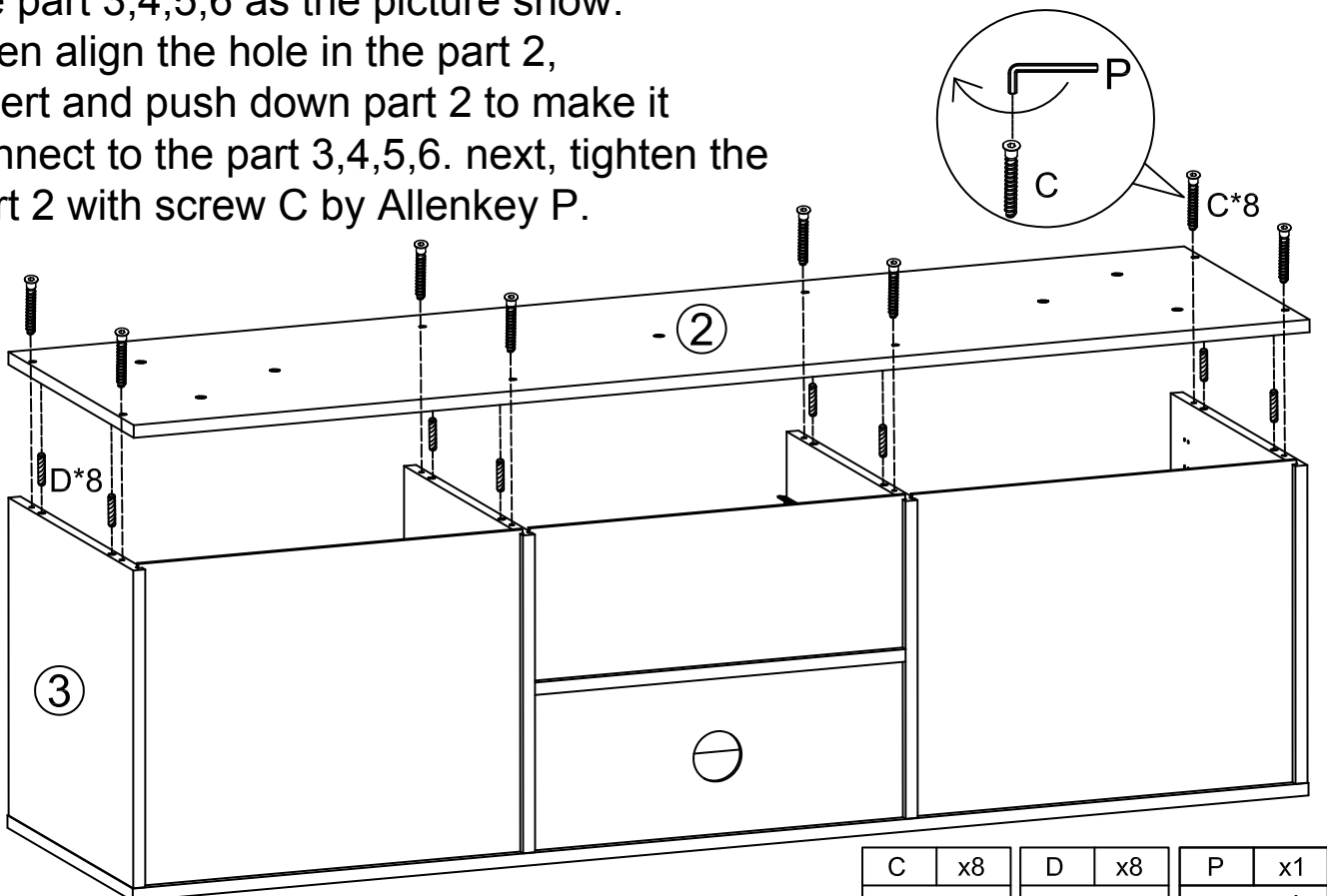
Slide in the part 10 into the groove 5,6 and 7.






STEP 6

Connect the part 2 with the finished part. Insert the wooden dowel D into the part 3,4,5,6 as the picture show.

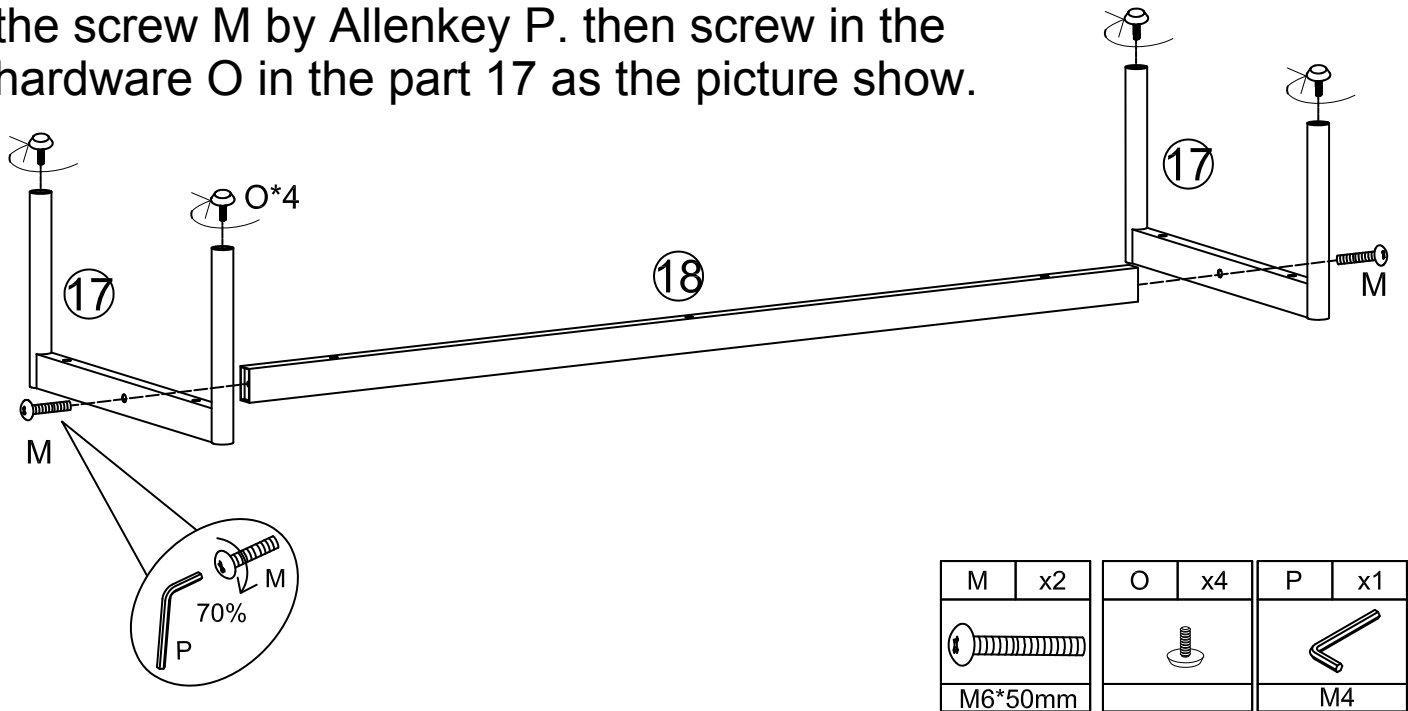
Then align the hole in the part 2, insert and push down part 2 to make it connect to the part 3,4,5,6. next, tighten the part 2 with screw C by Allenkey P.



C	x8	D	x8	P	x1
					
M7*50mm		Ø8*30mm		M4	

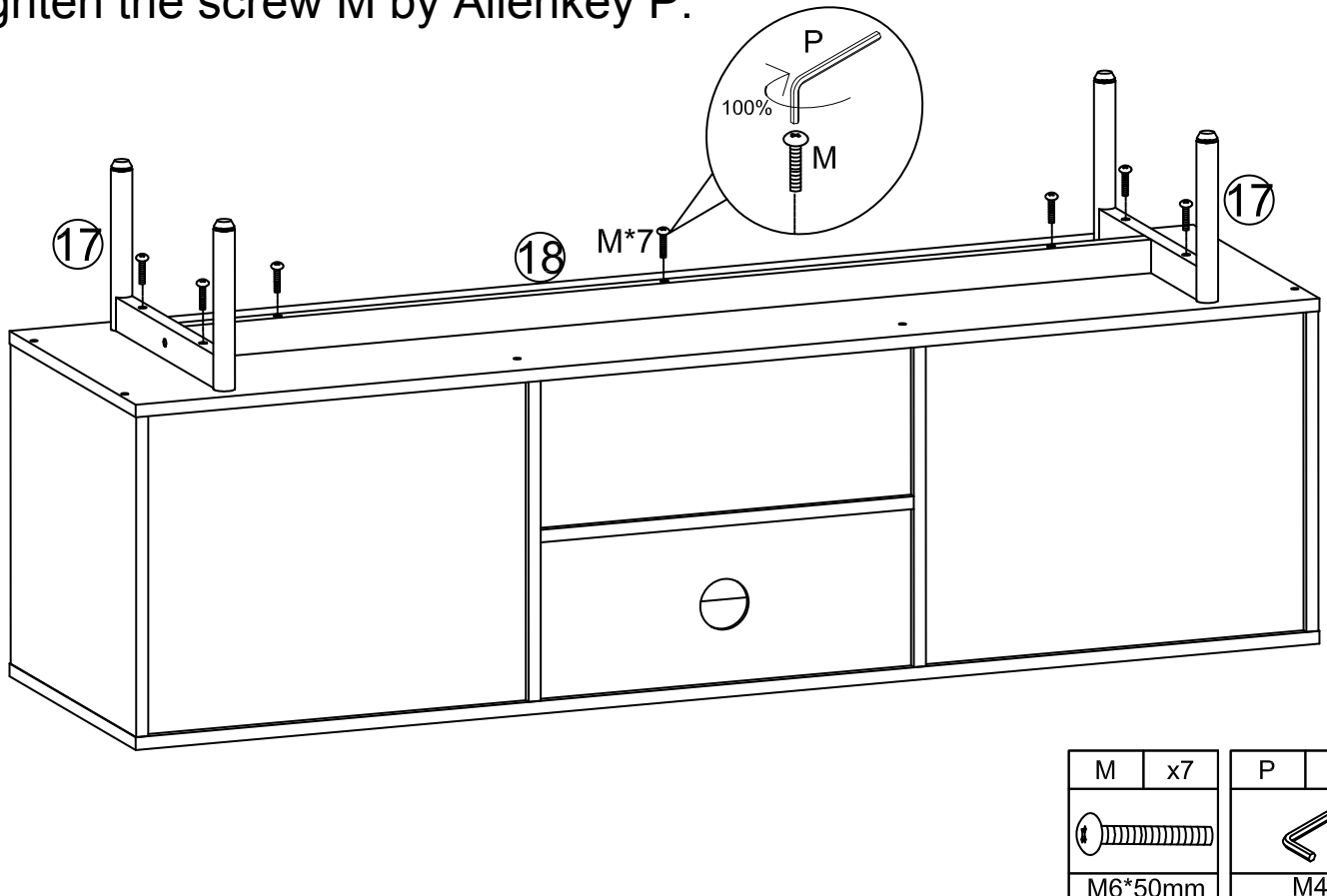
STEP 7

Preparing the leg frame. Align the hole in the part 18 and the hole in the part 17, screw and tighten the screw M by Allenkey P. then screw in the hardware O in the part 17 as the picture show.



STEP 8

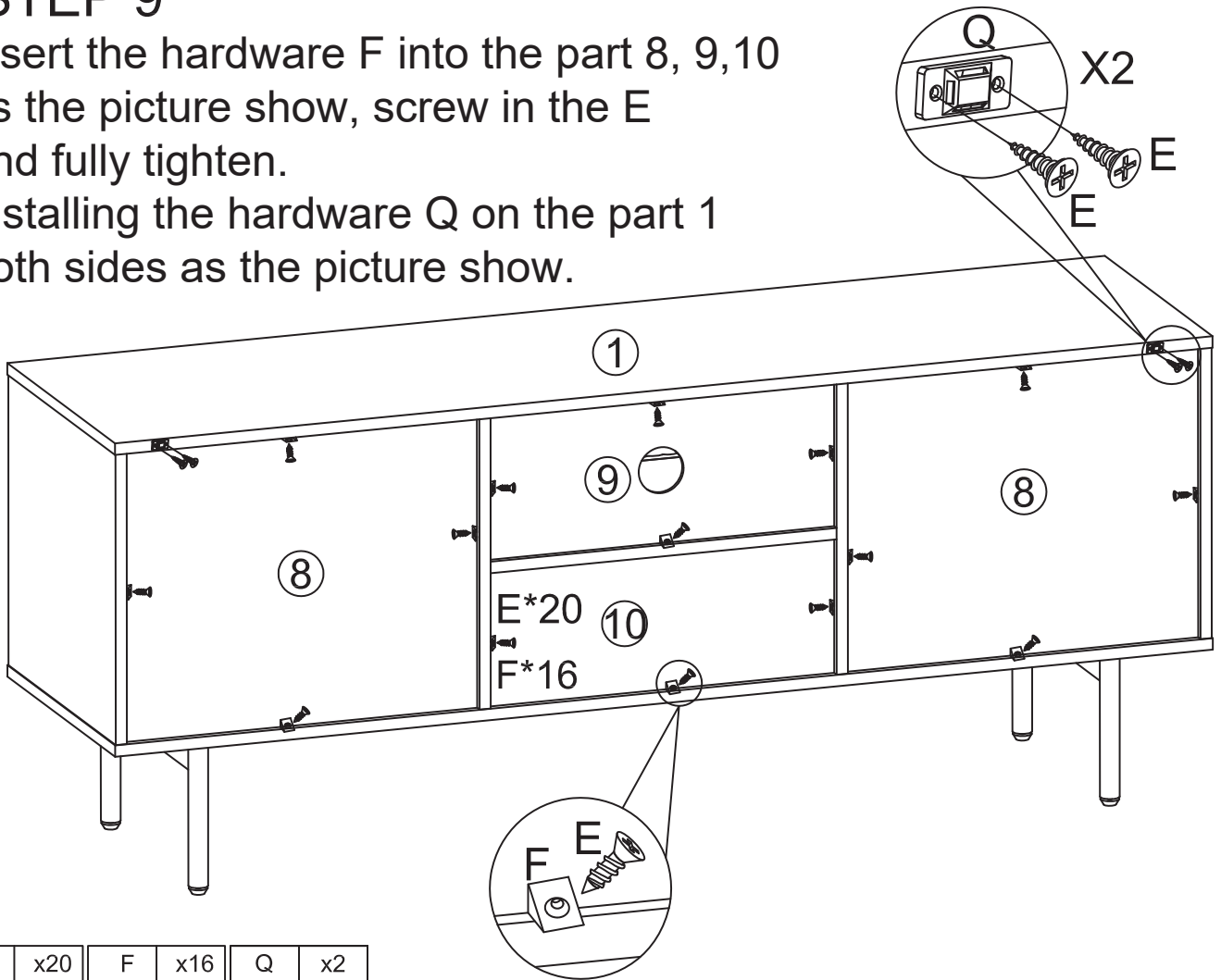
connect the leg frame to the cabinet. Align the hole in the leg frame part 17 and 18 to the hole in the part 2, screw in and tighten the screw M by Allenkey P.






STEP 9

insert the hardware F into the part 8, 9,10 as the picture show, screw in the E and fully tighten.

Installing the hardware Q on the part 1 both sides as the picture show.

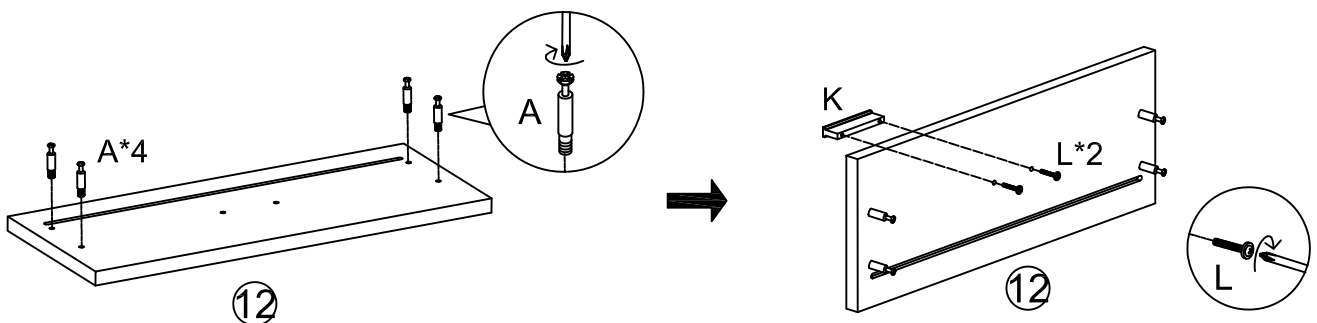


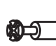


E	x20	F	x16	Q	x2
					
Ø3.5*14mm					

STEP 10

Preparing the drawers. Align the holes in the part 12, screw bolt A into the part 12 by screwdriver.

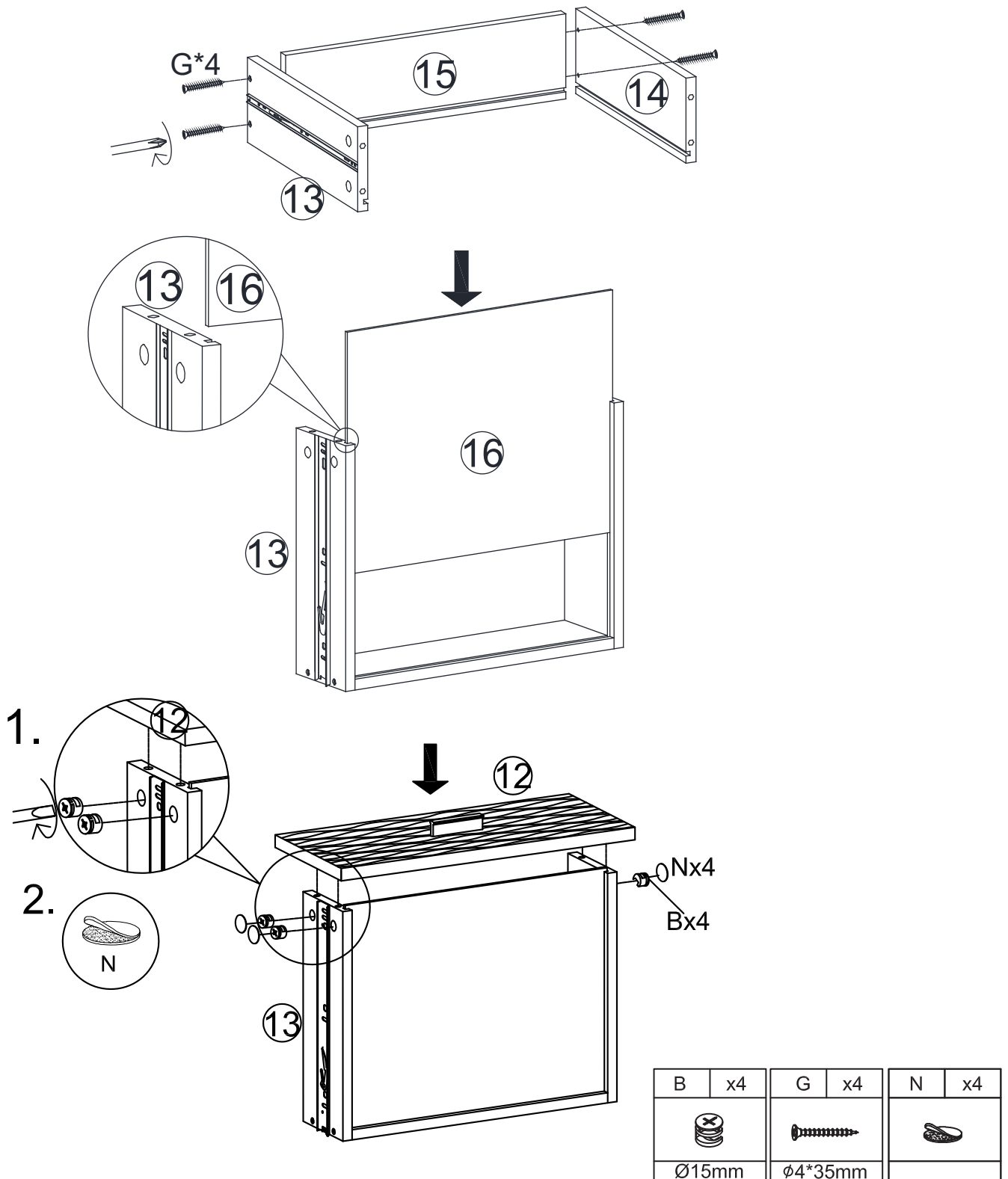
Assemble the drawer handler on the part 12 as the picture show.



A	x4	K	x1	L	x2
					
M6*35mm				M4*18mm	

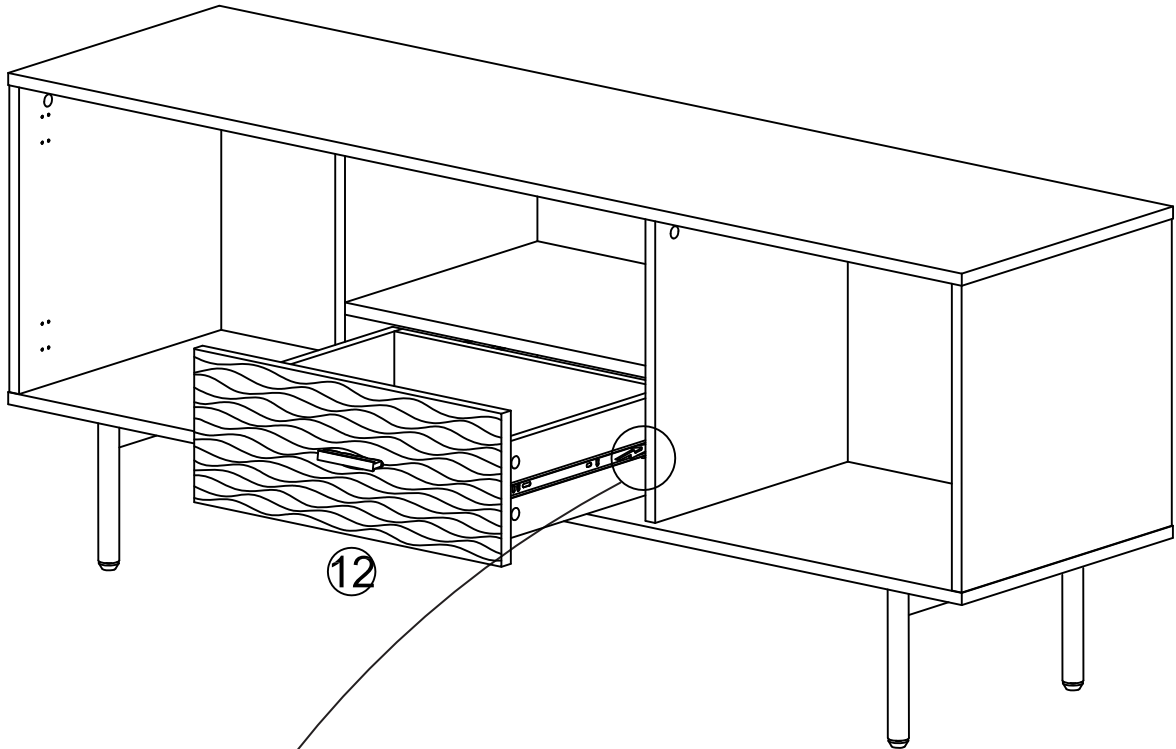
STEP 11

Connect the part 13 and 14 to the part 15. screw in and tighten the screw G by screwdriver. Then , slide in the part 16 into the groove in part 13, 14 and 15. next, connect the part 12 to the drawer frame and tighten the nut B and cover the hole by N

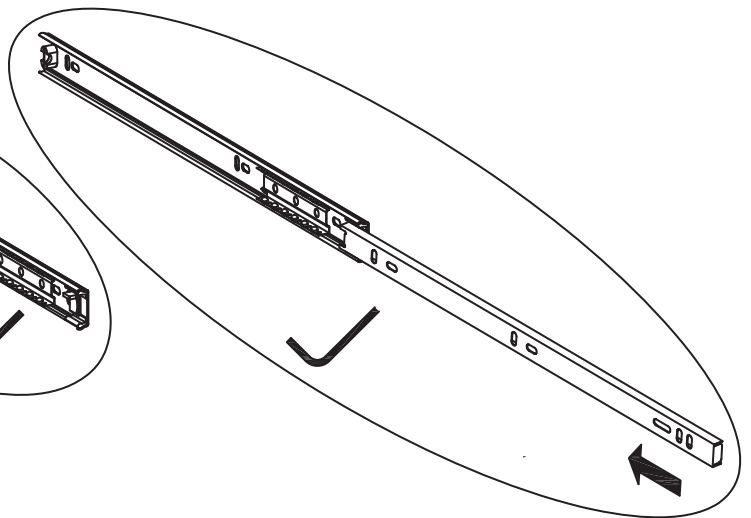
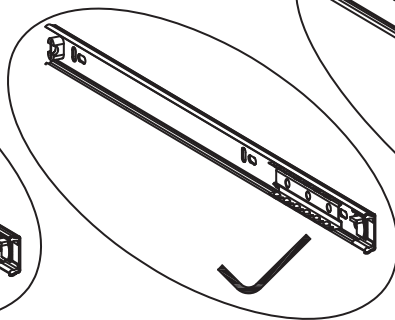
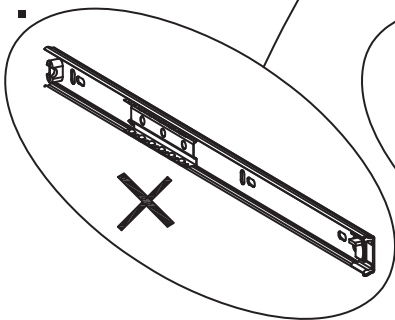


STEP 12

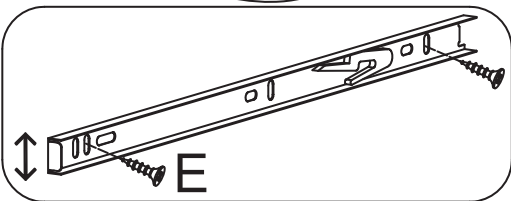
slide in the drawer into cabinet as the picture show.
You can adjust the distance between drawer and the cabinet
by adjust the metal slider to fit drawer if you need to do this.



1.

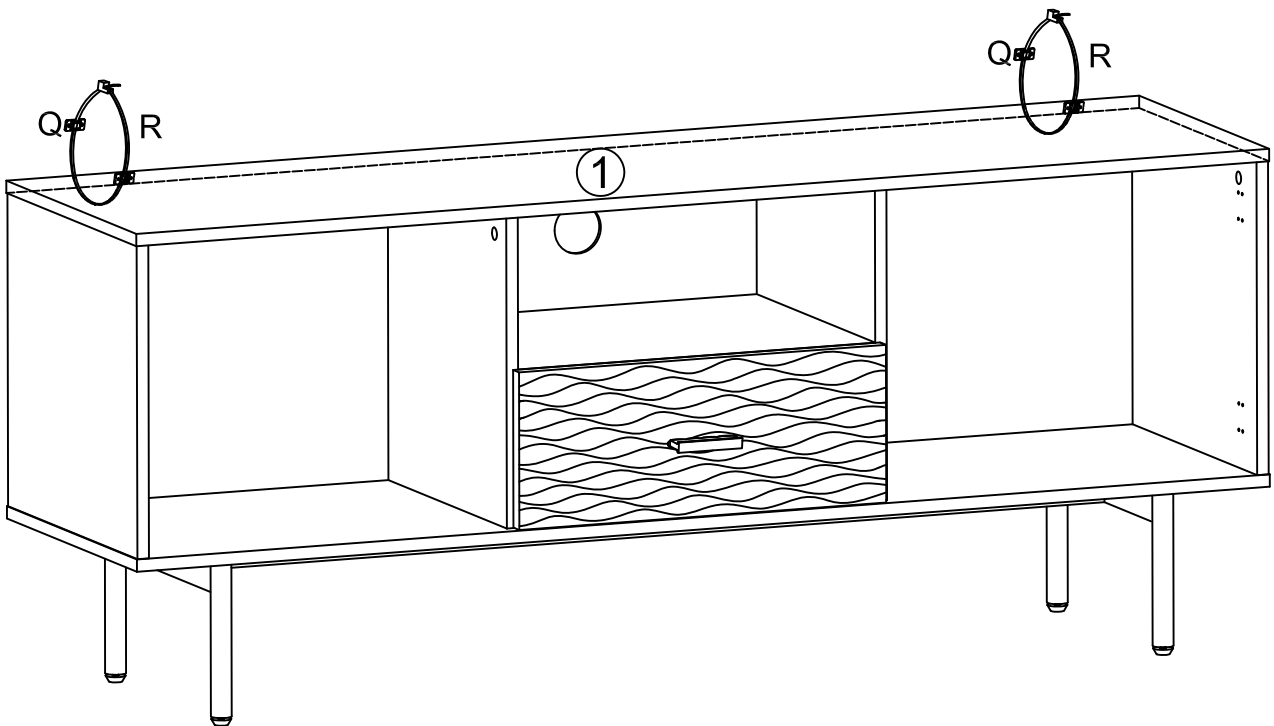
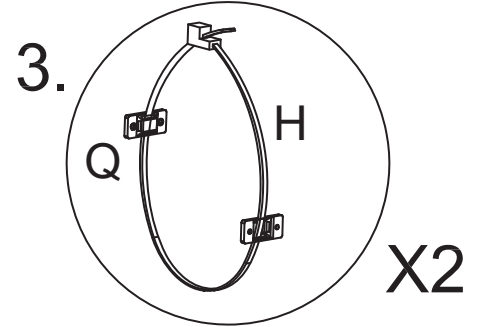
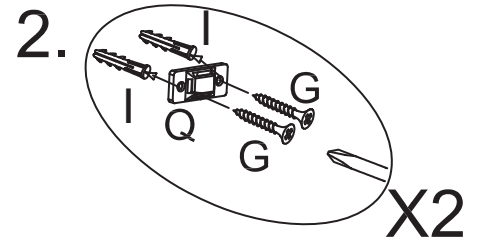
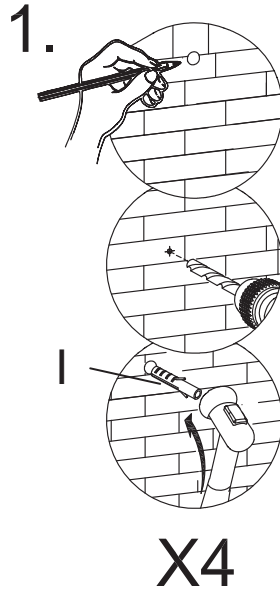






2.



STEP 13

Finishing the anti-collapse device. Move the cabinet against the wall to mark the same height with Q, then drill the marked position, insert the screw I. next fix the Q on the wall. Last, plastic belt H go through the two Q and tighten to secure.

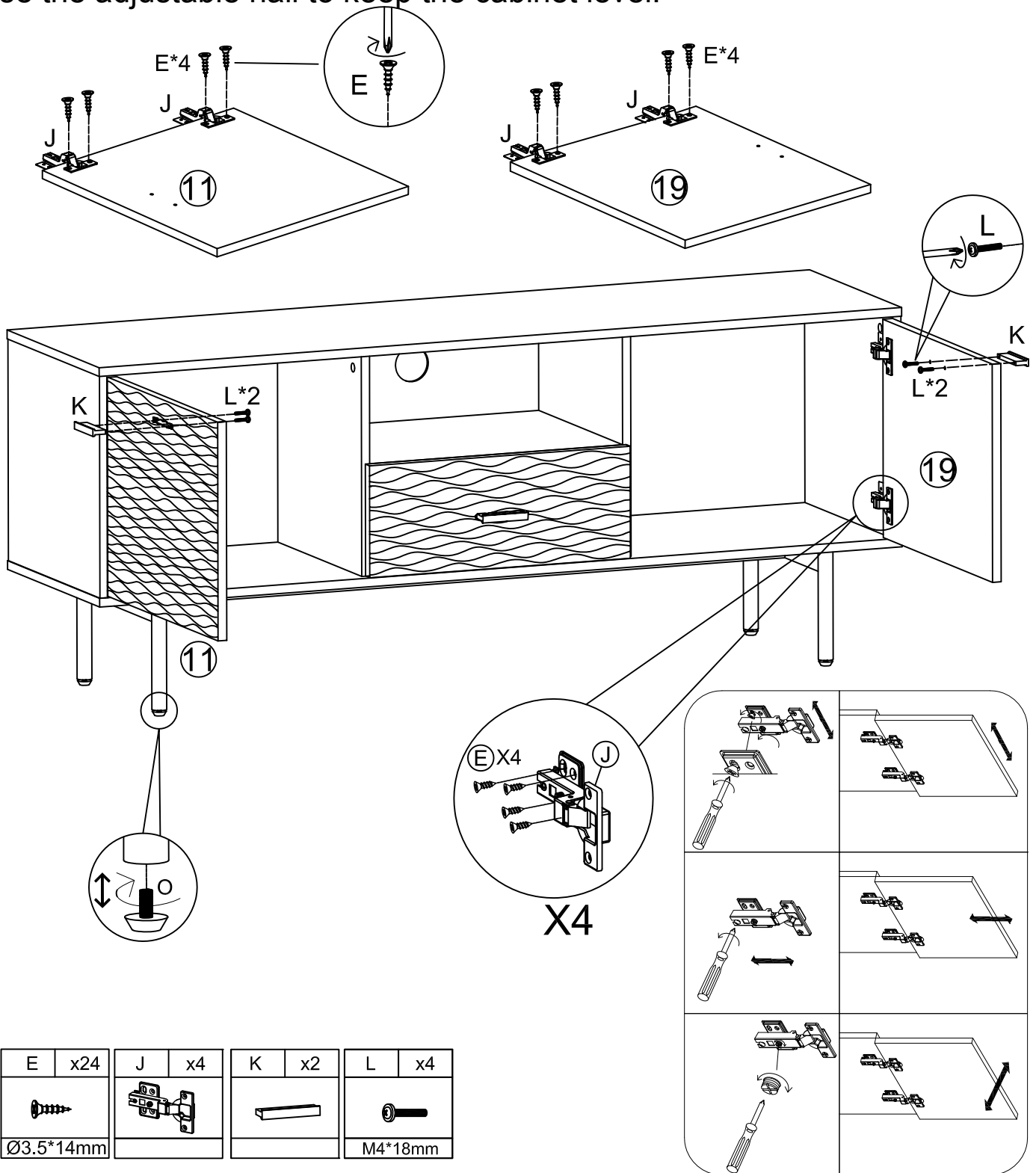


G	x4	Q	x2	H	x2	I	x4
							
ø4*35mm							

STEP 14

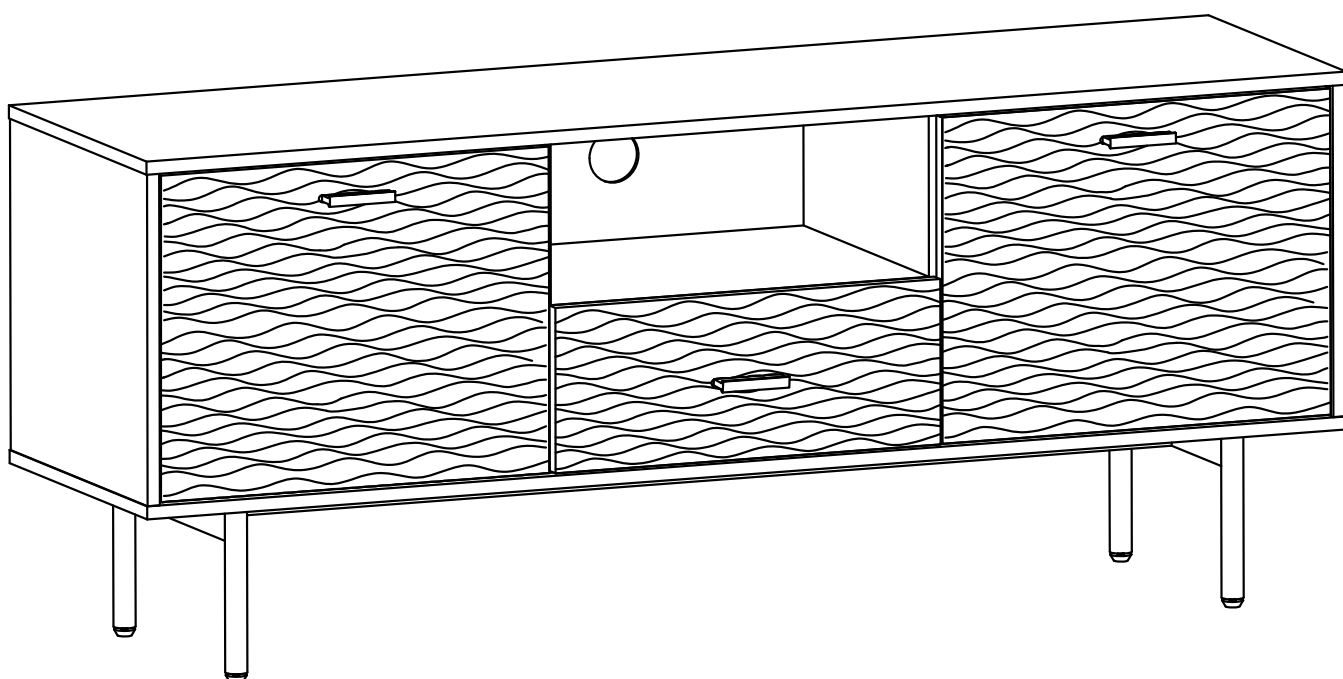
Preparing the doors.

- 1, Attach the part J on the part 11 and 19. align the holes on the J to the holes in the part 11 and 19, screw in and tighten the screw E by screwdriver.
- 2, Attach the door on the cabinet. Align the hole in the part J on the part 11 and 19 to the holes in the part 3 and 4, screw in and tighten screw E by screwdriver as the picture show.
- 3, Attach the door handler. Align the holes on part 11 and 19 to the holes on part K, screw in and tighten the screw L by screwdriver.
- 4, use the adjustable nail to keep the cabinet level.



E	x24	J	x4	K	x2	L	x4
Ø3.5*14mm						M4*18mm	

STEP 15



Now your cabinet is ready to use.
Assembly completed

WARRANTY

We strive to offer high-quality products, and we also try our best to satisfy each and every customer that orders from us with product or service as needed. We provide 30 days warranty starting from the time you receive the item. Each customer must provide a record of their order such as the order number, or item receipt for any items that are out of the warranty period you may also still receive replacement parts by purchasing them with our company if they are available.

**Are you having difficulty
with assembly? Missing parts?**

Please send email with your order No

customerservice@hulalahome.com

**For return, Please check the return policy with
the retailer or MarketPlace you bought from.**

**Appreciated your purchasing from us.
Pop up your life by our furniture piece!**