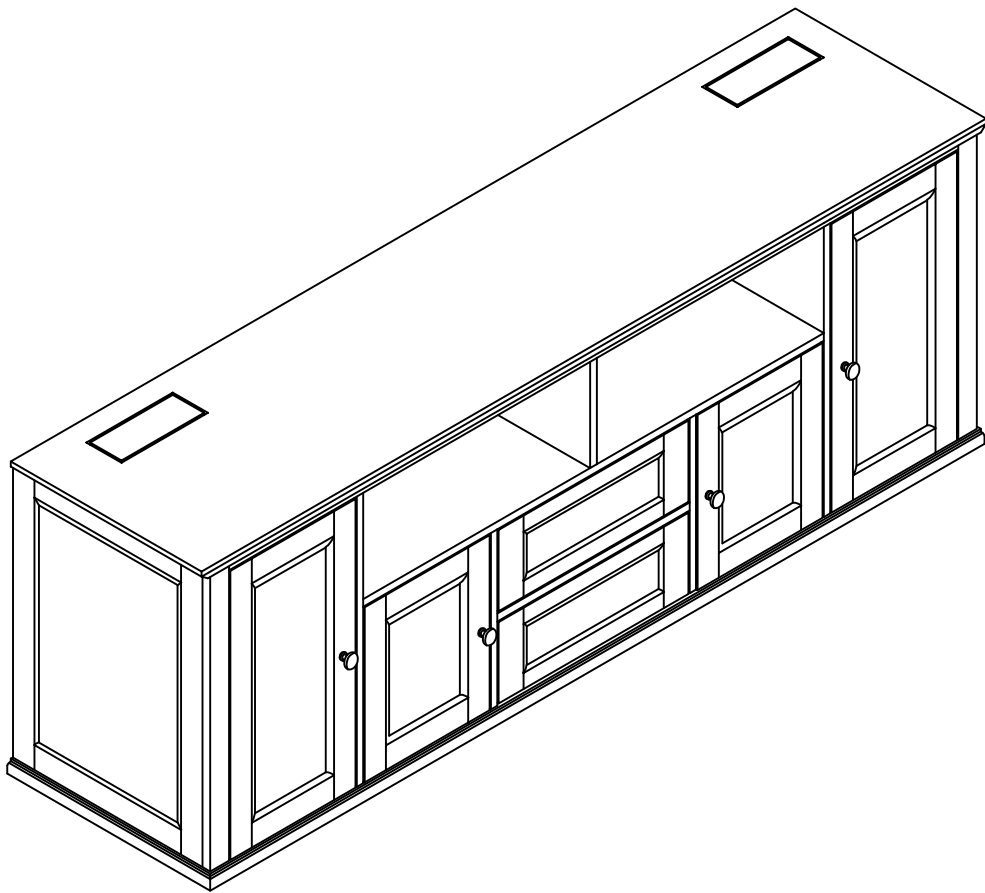


# HULALA

---

## H O M E



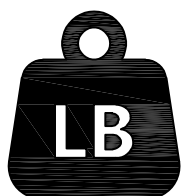
**ITEM NO.TVYL1058D**

**NOTE:**

This brochure contains IMPORTANT safety info. Please read and keep for future reference.

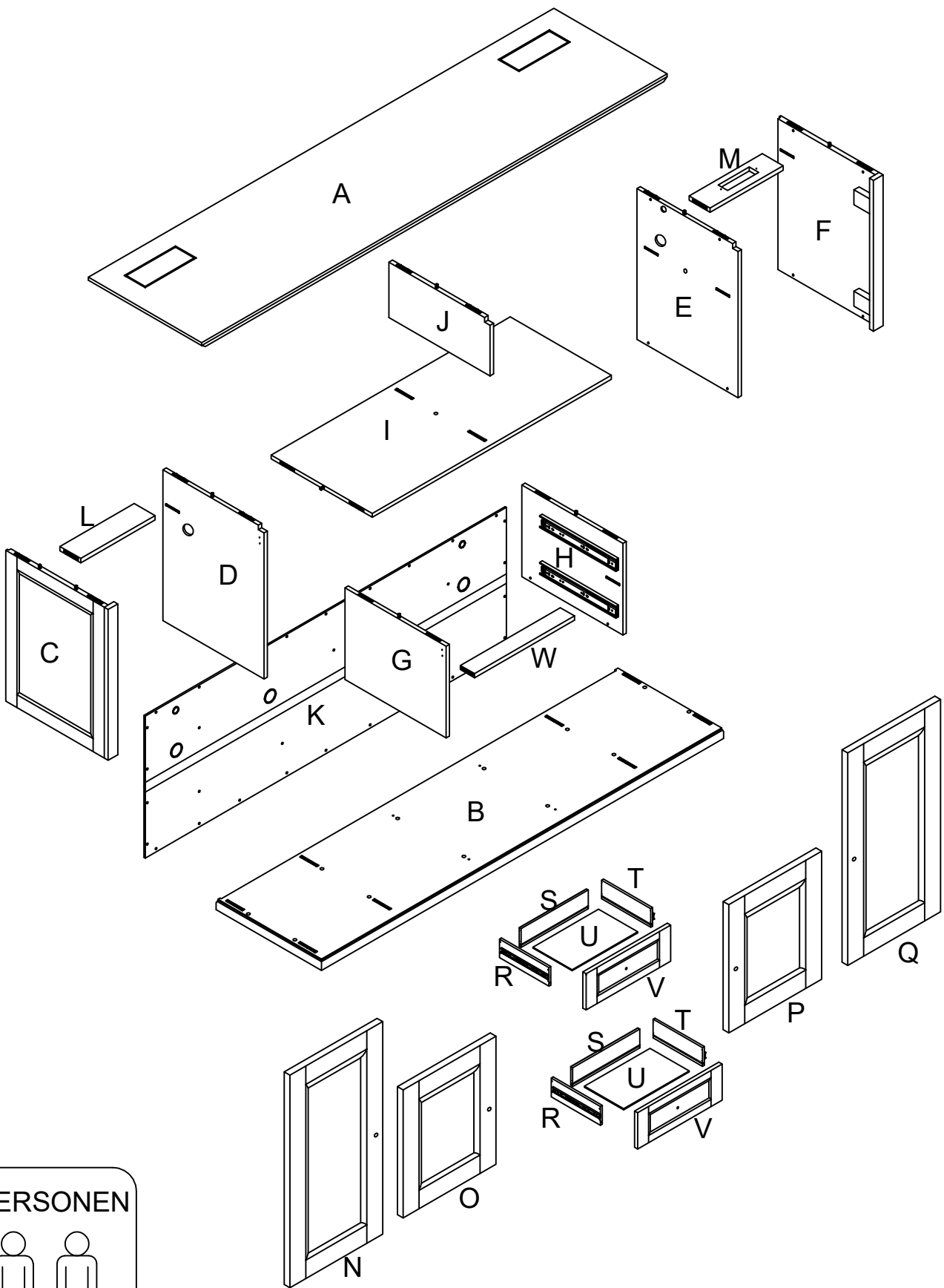
# MAINTAINANCE AND WARNING

- 1.Keep furniture away from heat sources.
- 2.Do not clean furniture with harsh cleaner or polishes.Do not use detergents,solvents,abrasives,spray packs or leather cleaner. Use non-color mild soap with warm water to clean spills(Mix 1:10 soap to water).
- 3.Do not place furniture under direct sunlight,material will possibly fade over time.
- 4.Do not use on site dry cleaning machine.Children should not climb or jump on the furniture.
- 5.Do not write on furniture that is not protectedby a padded barrier.
- 6.Not for commercial use,only for residential use.

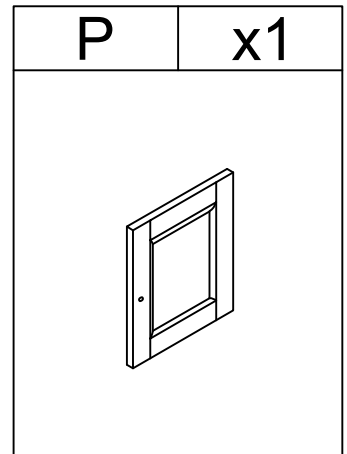
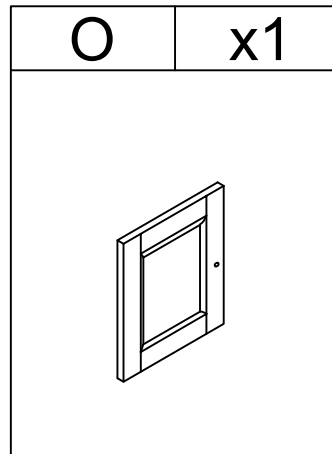
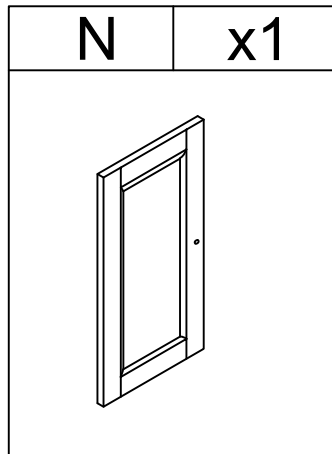
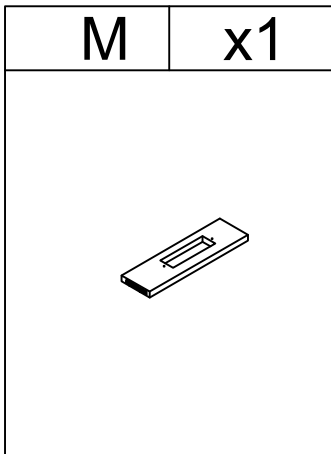
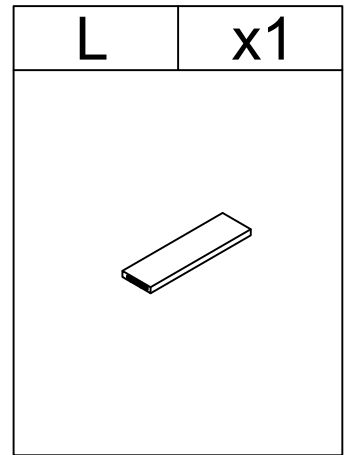
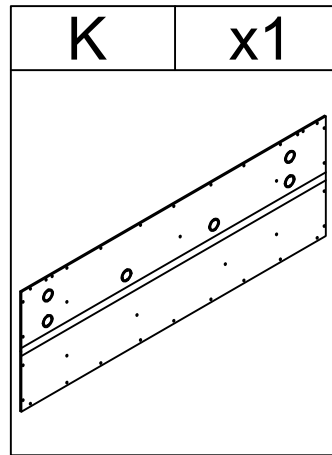
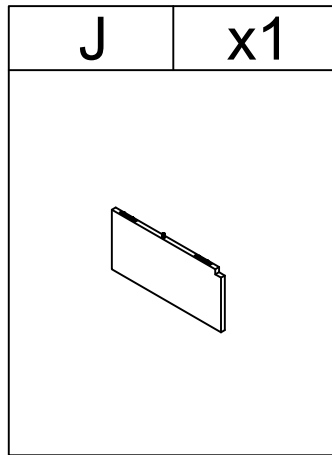
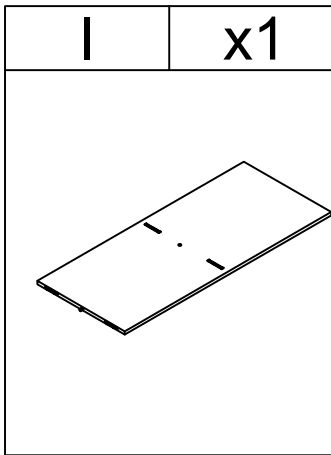
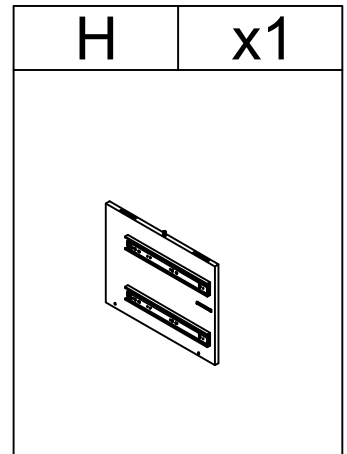
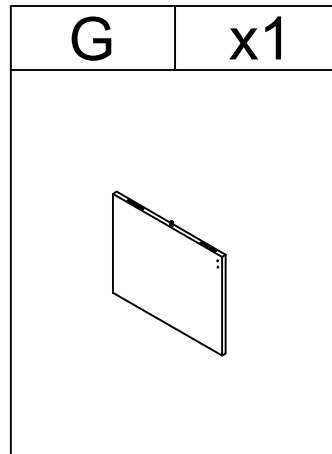
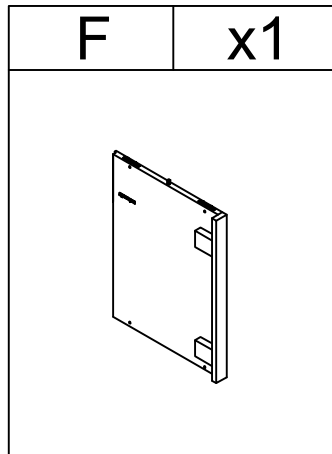
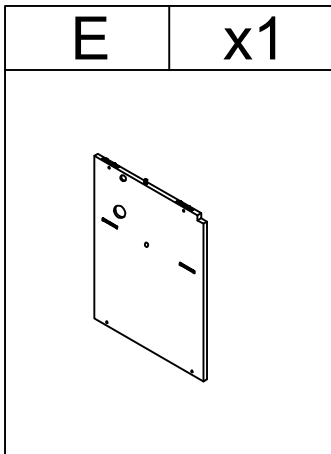
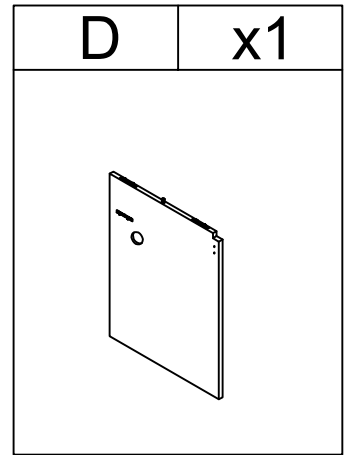
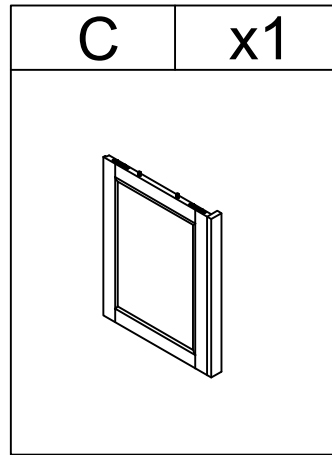
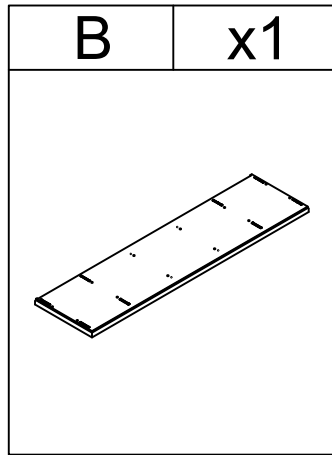
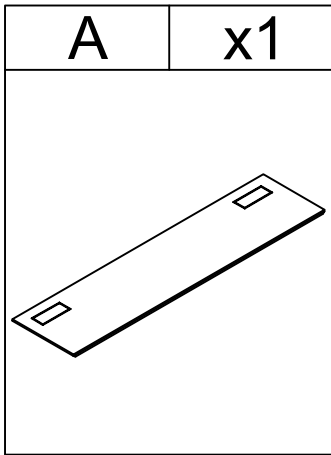


Weight Limitation

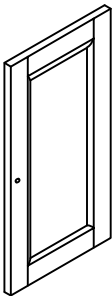
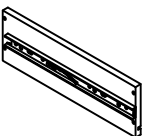
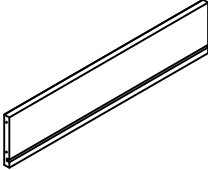
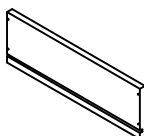
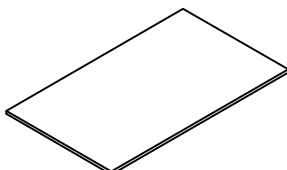
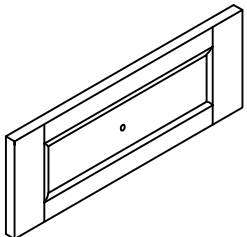
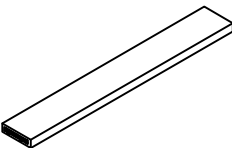
**150 LBS**




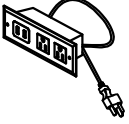



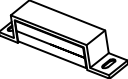

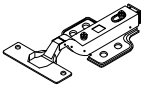


# PARTS LIST








# PARTS LIST

Q	x1	R	x2	S	x2	T	x2
							
U	x2	V	x2	W	x1		
							

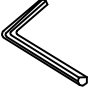
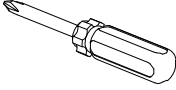
# HARDWARE LIST

1#	x4	2#	x1	3#	x2	4#	x16	5#	x41
									
M7*50mm				φ3*12mm		φ4*25mm		φ3*15mm	
6#	x4	7#	x48	8#	x8	9#	x6	10#	x6
									
		φ3*15mm				φ5/32"*22mm			




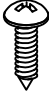
# HARDWARE LIST

11#	x4	12#	x4	13#	x4	14#	x4	15#	x2
									
φ3*20mm						φ4*38mm			

# TOOL LIST

16#	x1	17#	x1
			
		M5	

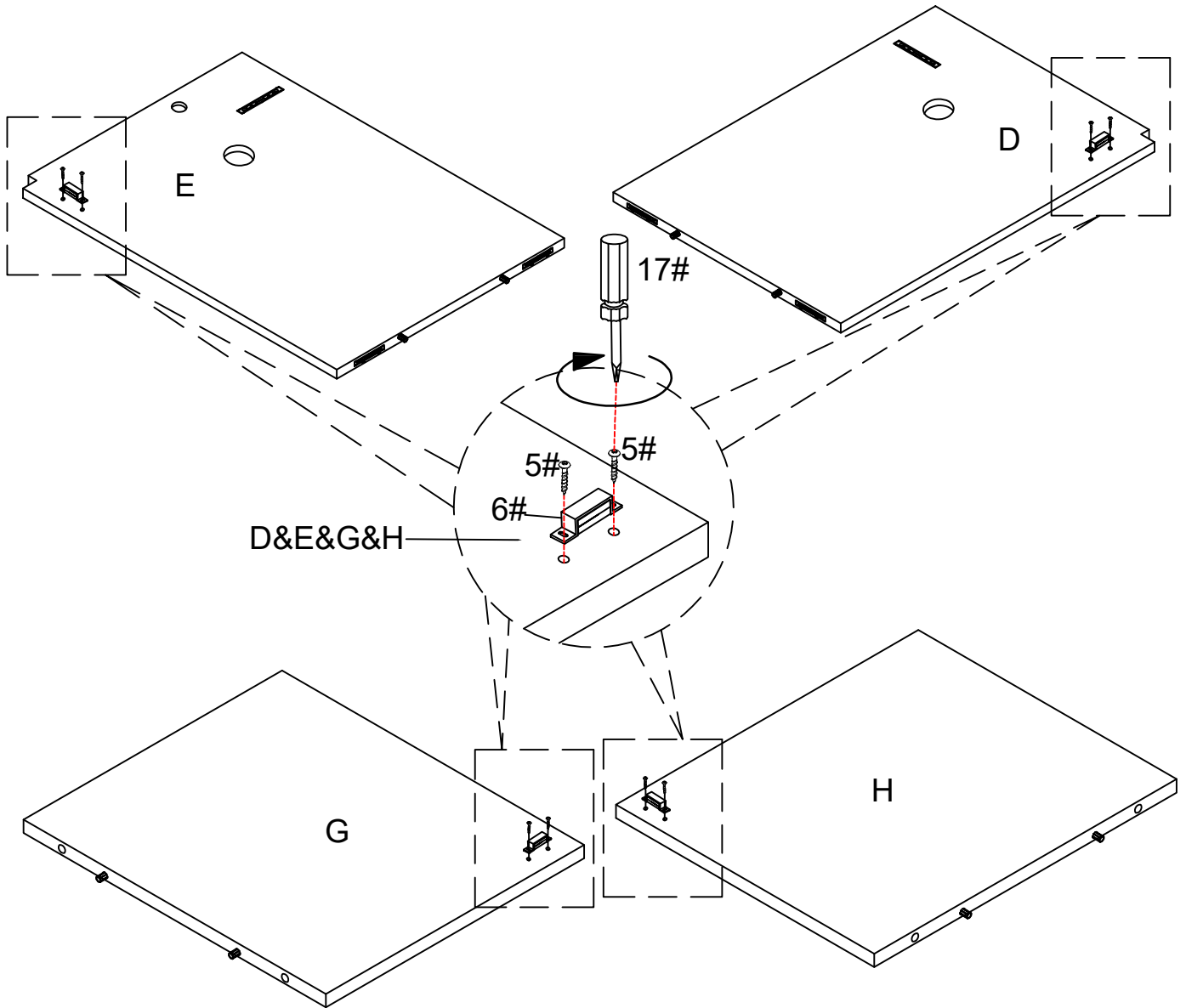
# HARDWARE SPARE LIST

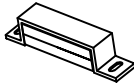

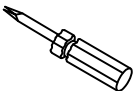
4#	x2	7#	x5	1#	x1	5#	x4
							
φ4*25mm		φ3*15mm		1/4"x1-3/4"		φ3*15mm	

# ASSEMBLY INSTRUCTIONS

## STEP-1

1. connect part #6 to part (E/D/G/H) with screw #5, tight screw with screwdriver #17.

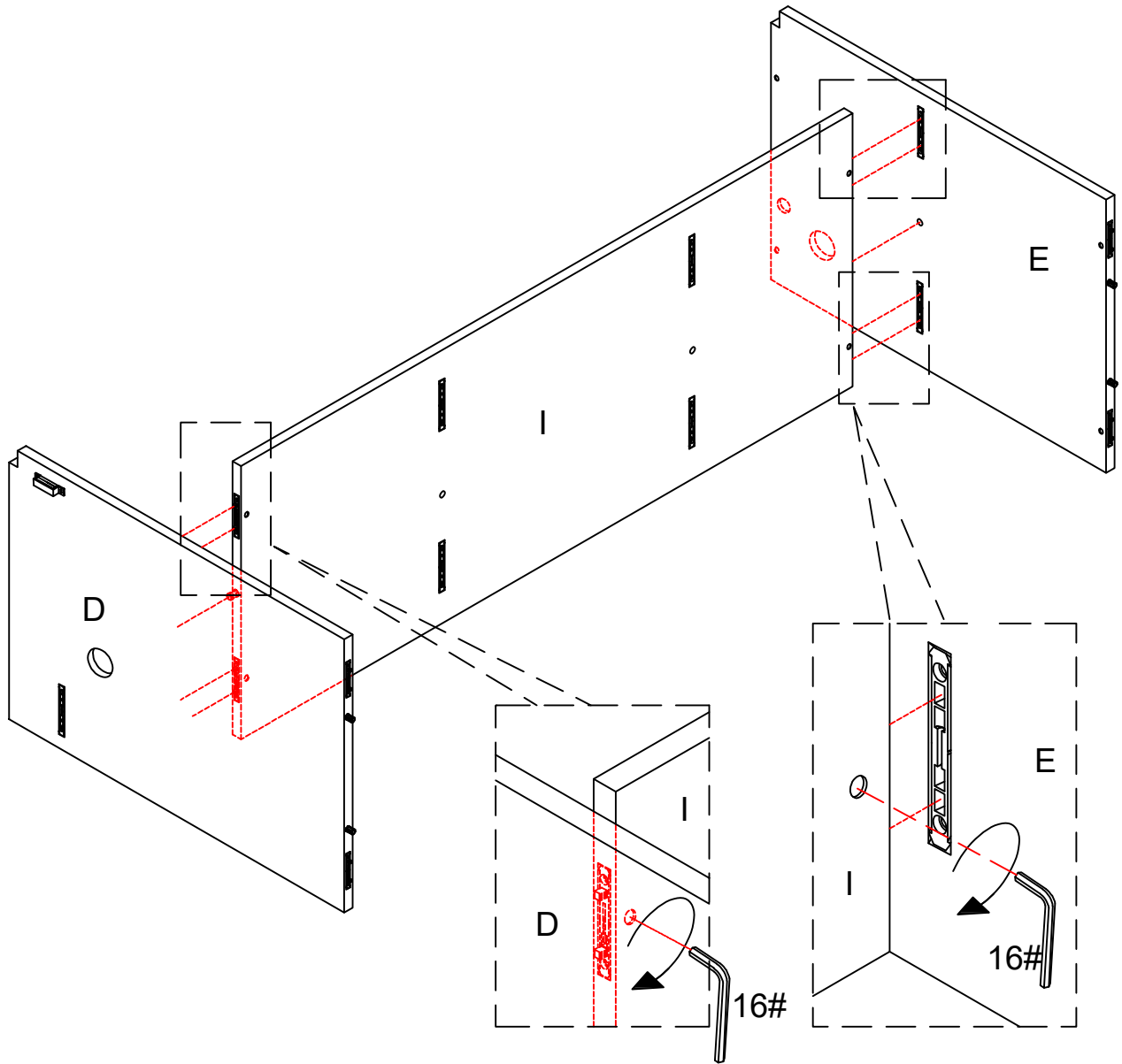


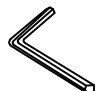
6#	x4	5#	x8	17#	x1
					
		Ø3x15mm			

# ASSEMBLY INSTRUCTIONS

## STEP-2

1.insert part (I) to the panel(E/D) ,make sure all holes aligned and tight it with allen wrench #16.



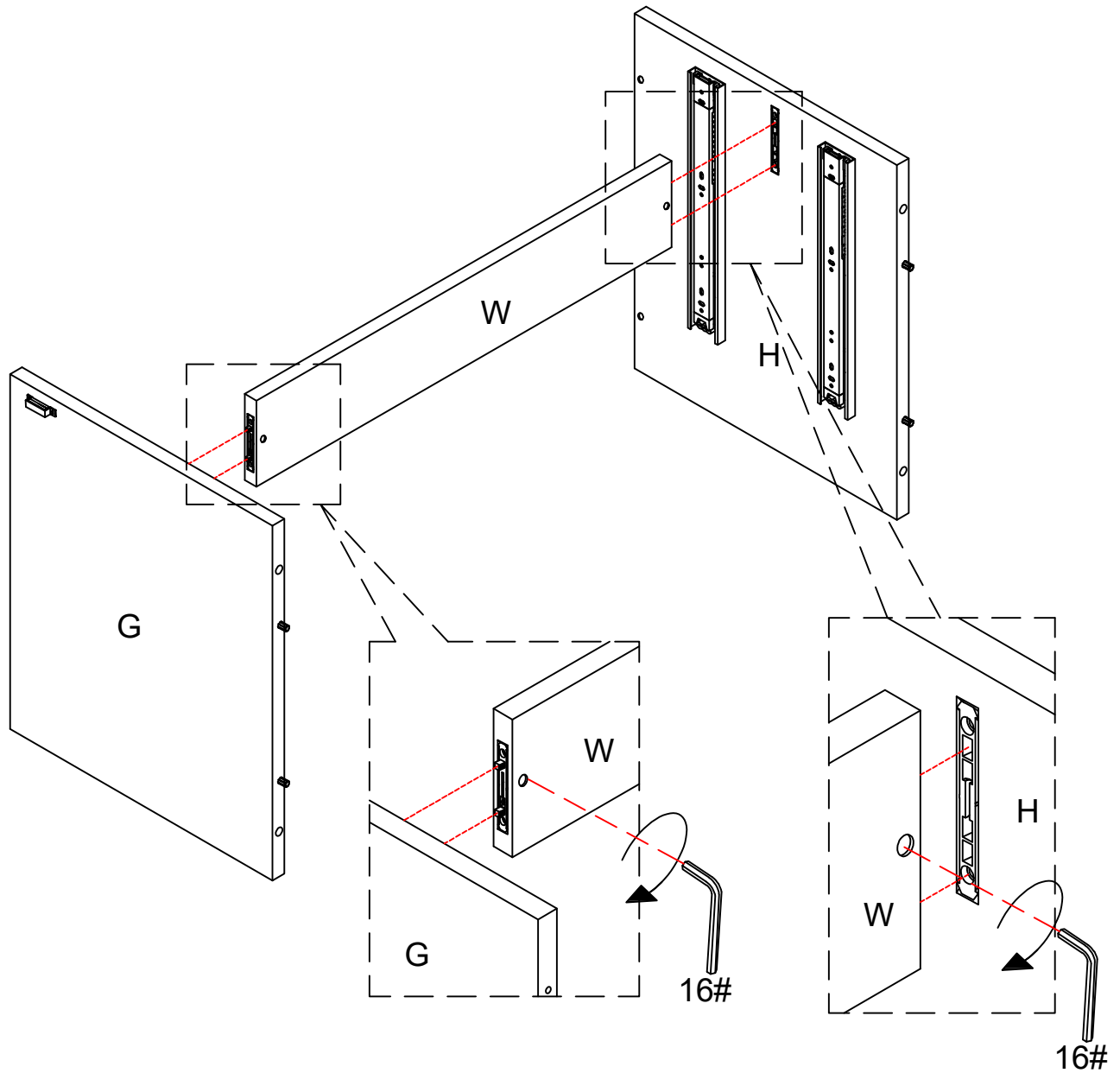
16#	x1
	
M5	

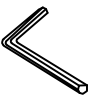


# ASSEMBLY INSTRUCTIONS

## STEP-3

1.insert part (W) to the panel(G/H) ,make sure all holes aligned and tight it with allen wrench #16.

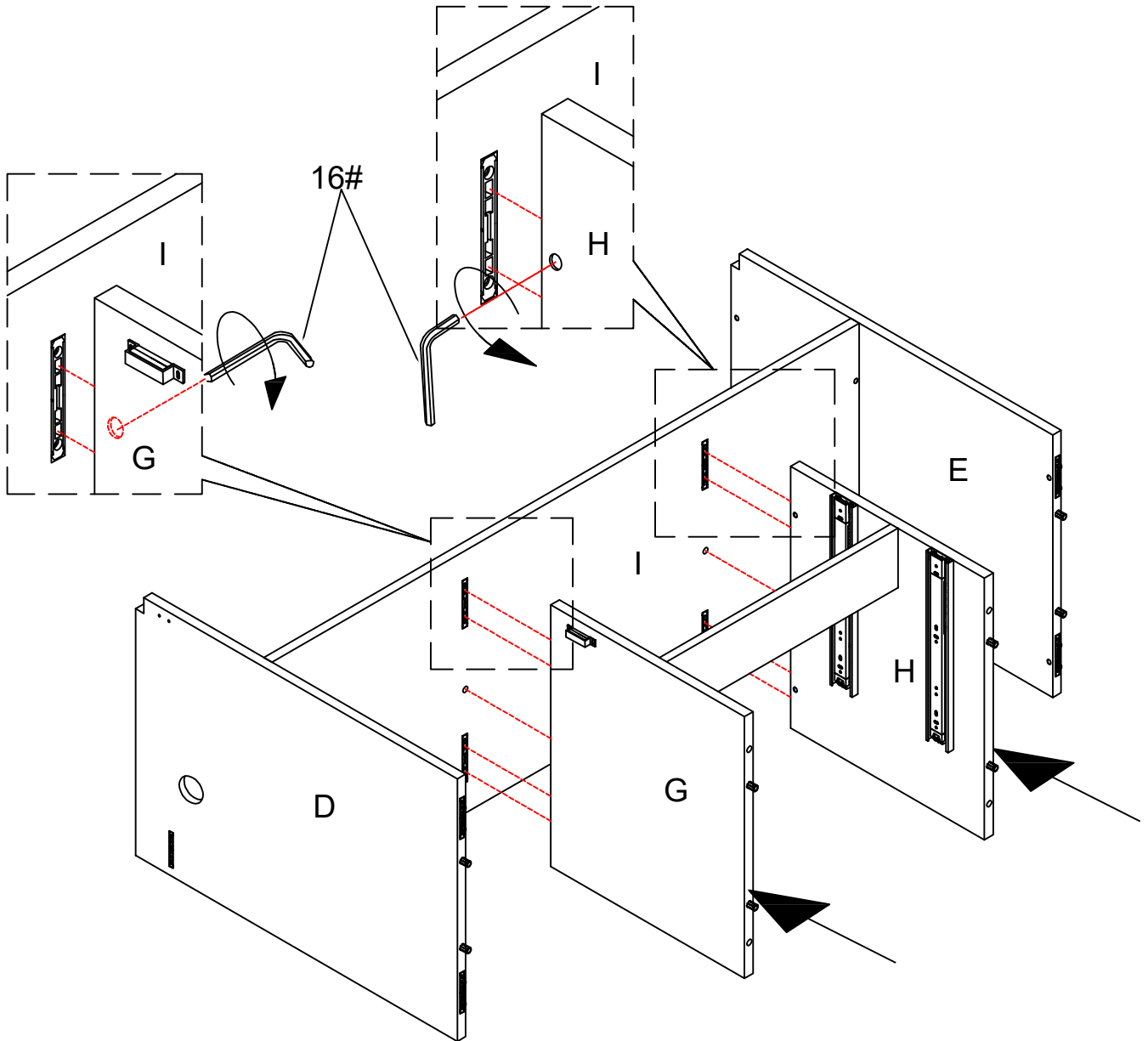


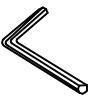
16#	x1
	
M5	

# ASSEMBLY INSTRUCTIONS

## STEP-4

1.insert the unit pre-assembled at step 2 to the unit pre-assembled at step 1,make sure all holes aligned and tight it with allen wrench #16.

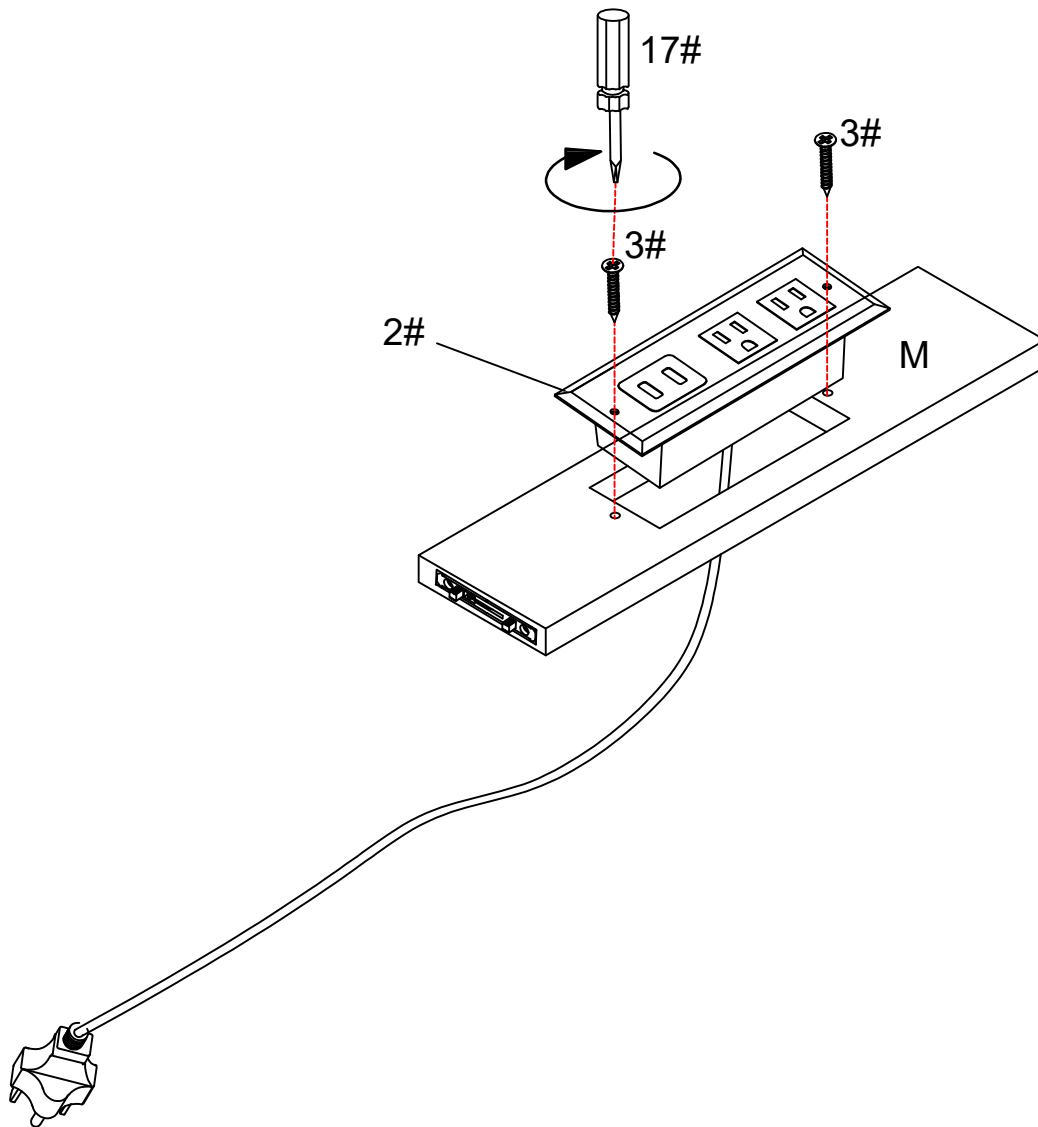


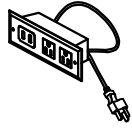

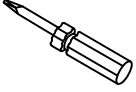
16#	x1
	
M5	

# ASSEMBLY INSTRUCTIONS

## STEP-5

1. connect part #2 to part (M) with screw #3, tight screw with screwdriver #17.

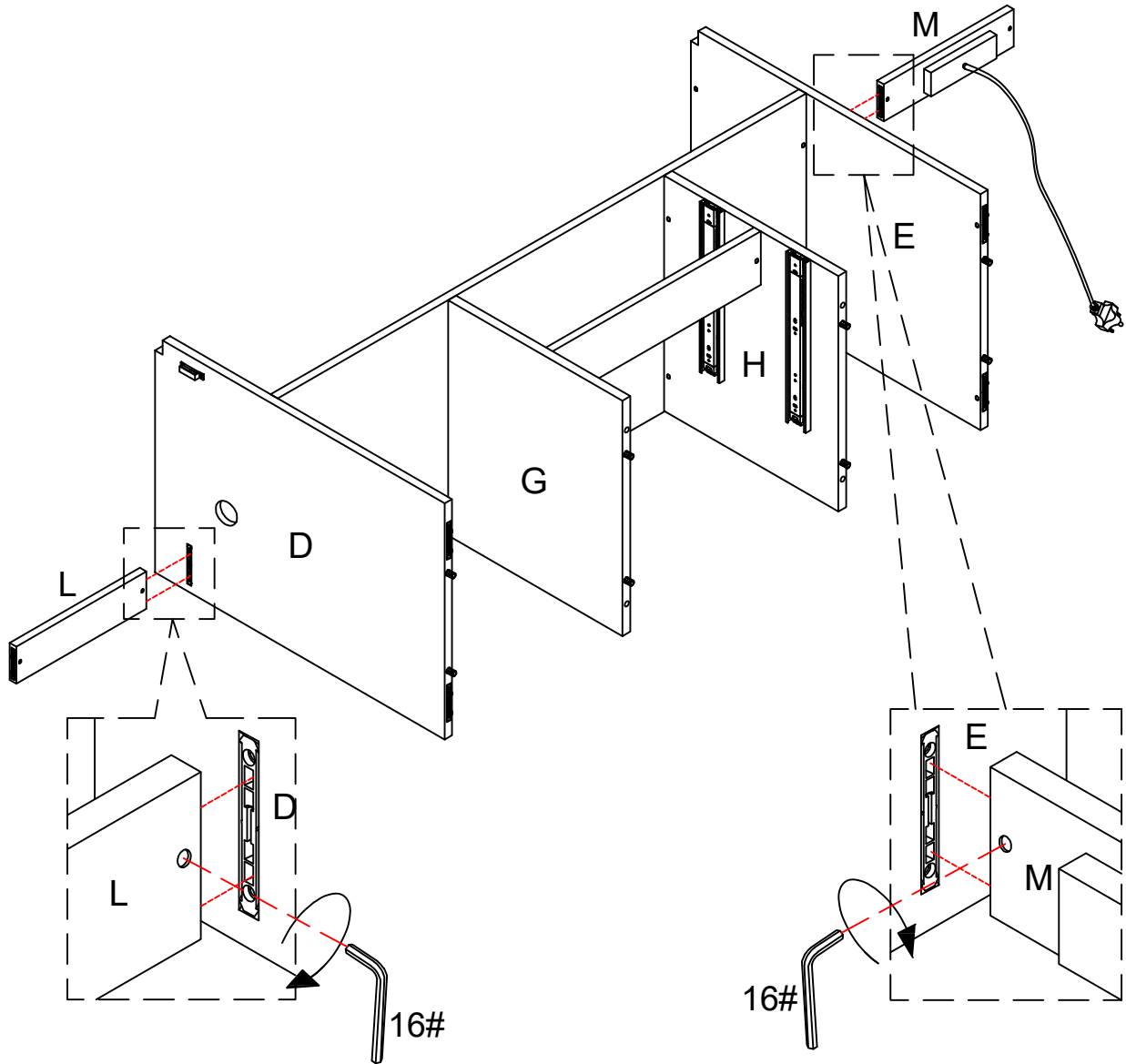



2#	x1	3#	x2	17#	x1
					
		Ø3x12mm			

# ASSEMBLY INSTRUCTIONS

## STEP-6

1.insert part(L/M) to the unit pre-assembled at step 4 ,make sure all holes aligned and tight it with allen wrench #16.

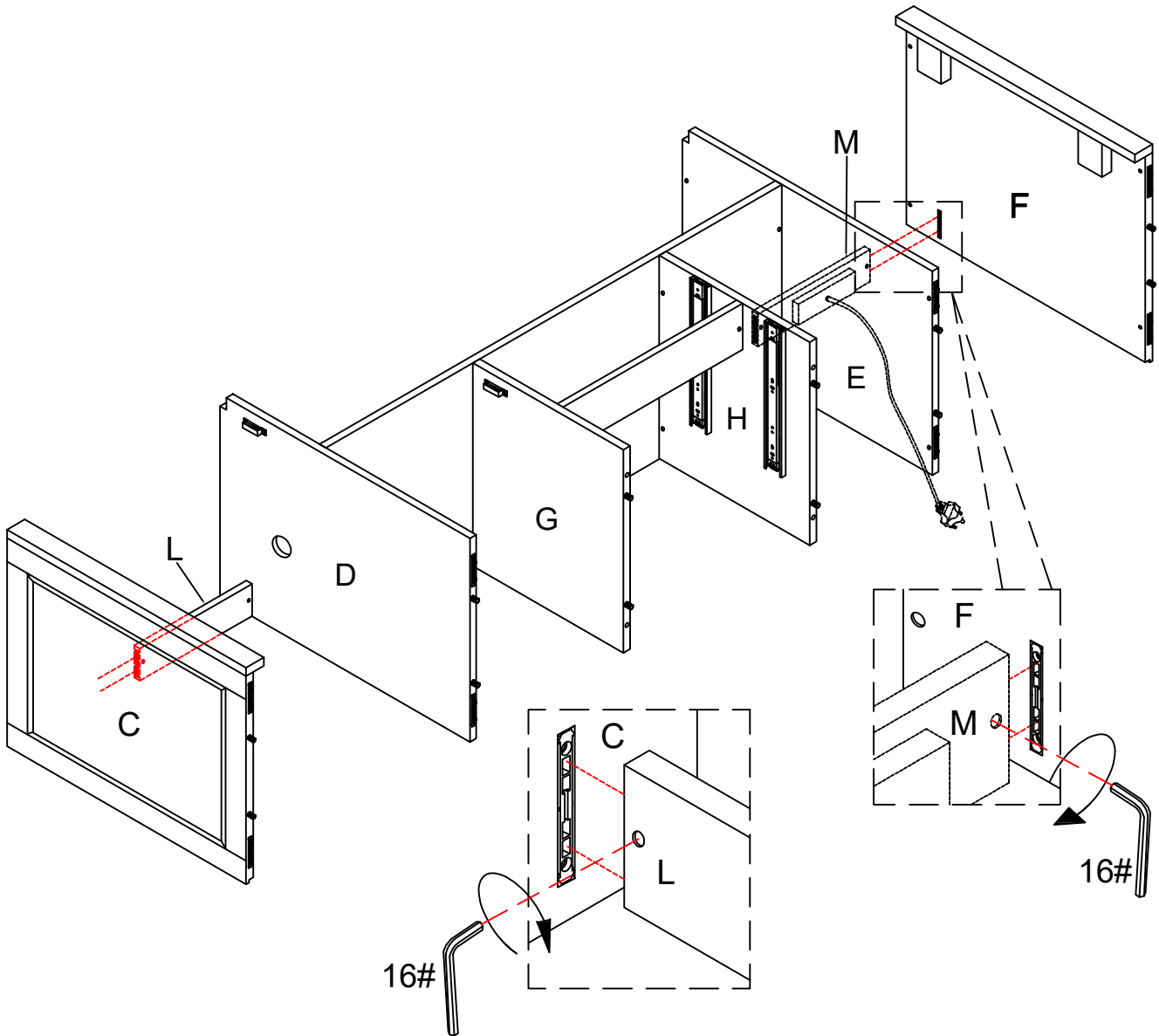


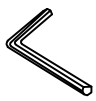
16#	x1
	
M5	

# ASSEMBLY INSTRUCTIONS

## STEP-7

1.insert panel(C/F) to the unit pre-assembled at step 6 ,make sure all holes aligned and tight it with allen wrench #16.



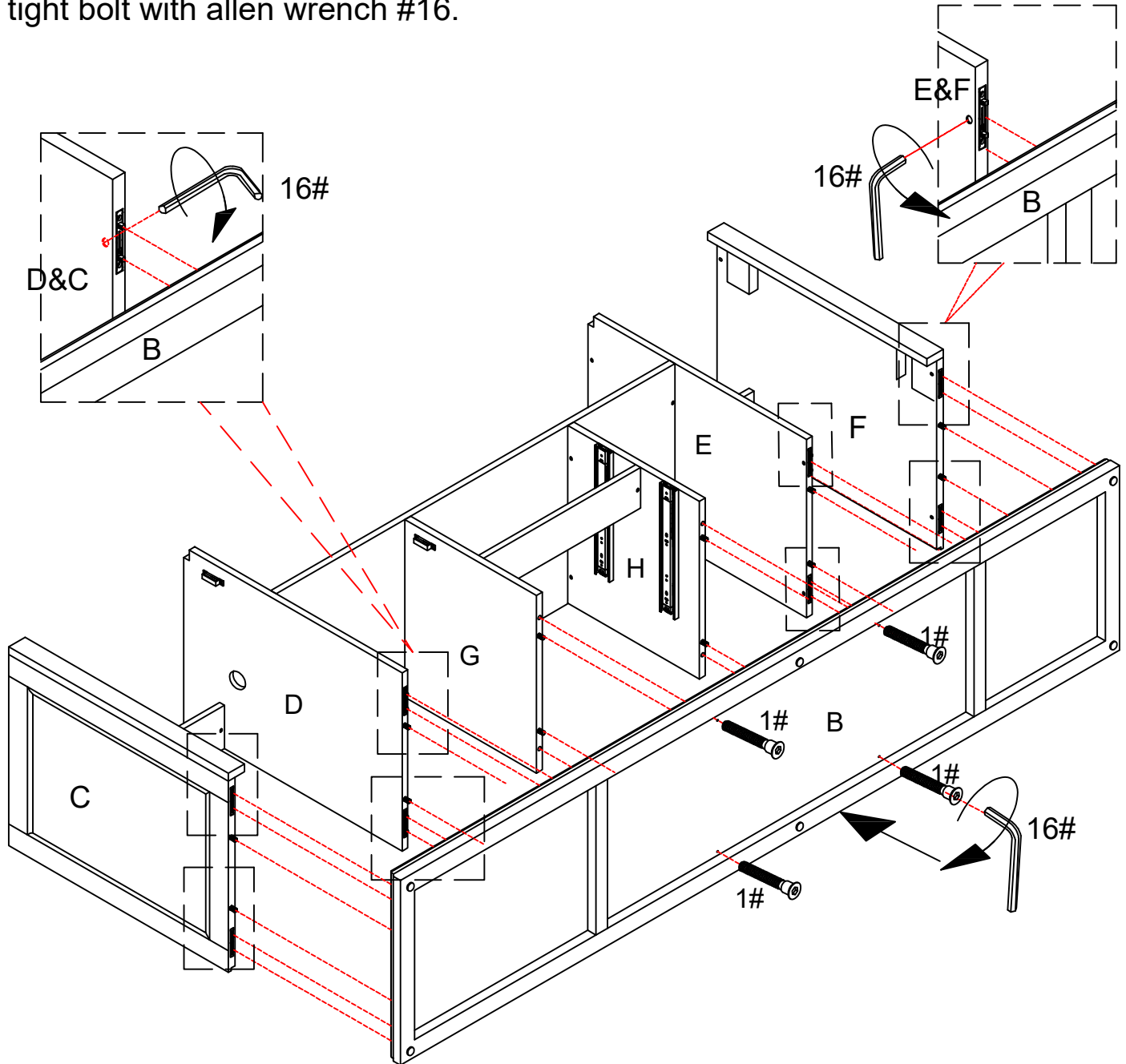
16#	x1
	
M5	



# ASSEMBLY INSTRUCTIONS

## STEP-8

1.insert the unit pre-assembled at step 7 to bottom panel(B) 1,make sure all holes aligned and tight it with allen wrench #16.

2.connect bottom panel(B) to the unit pre-assembled at step 7 with bolt #1 , tight bolt with allen wrench #16.

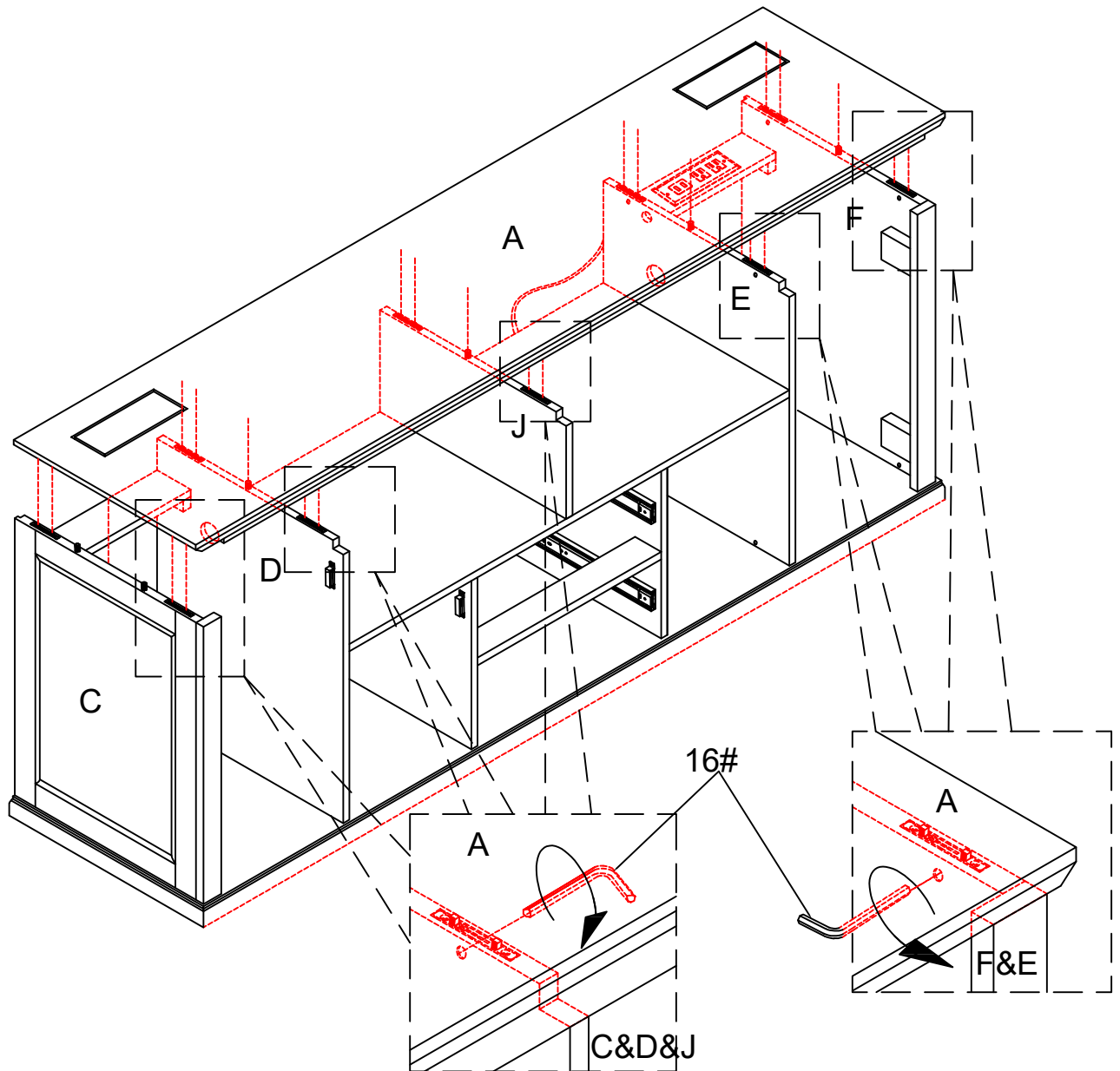


1#	x4	16#	x1
			
M7*50mm		M5	

# ASSEMBLY INSTRUCTIONS

## STEP-9

1. insert top panel(A) to the unit pre-assembled at step 8, make sure all all holes aligned and tight it with allen wrench #16.

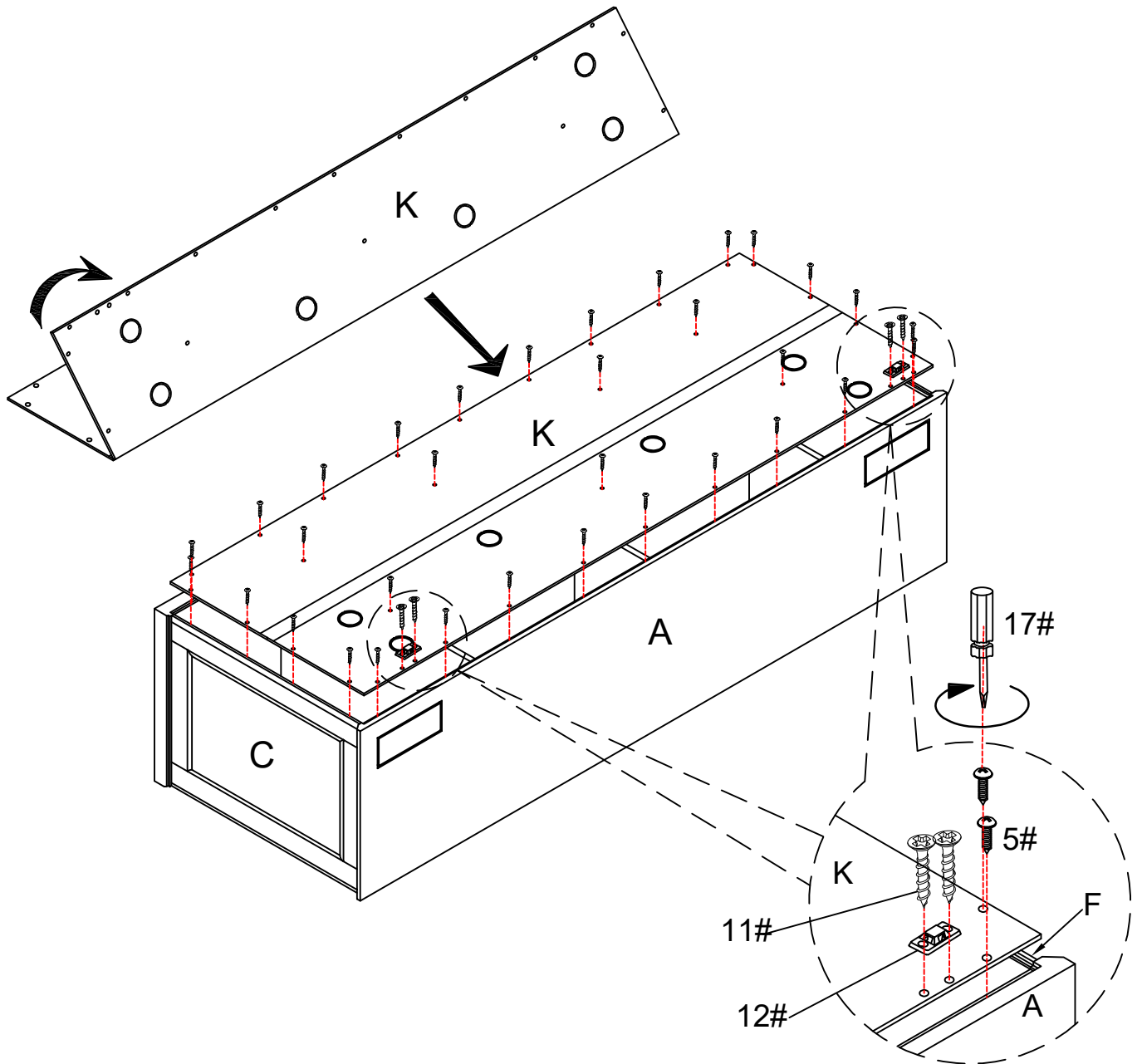



16#	x1
M5	

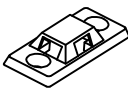
# ASSEMBLY INSTRUCTIONS


## STEP-10

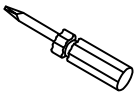
1. open back panel (K), connect back panel (K) to the unit pre-assembled at step 9 with screw #5, tight screw with screwdriver #17.
2. connect part#12 to the unit pre-assembled at step 9 with screw #11, tight screw with screwdriver #17.



11#	x4
	
Ø3x20mm	

12#	x2
	

5#	x33
	
Ø3x15mm	

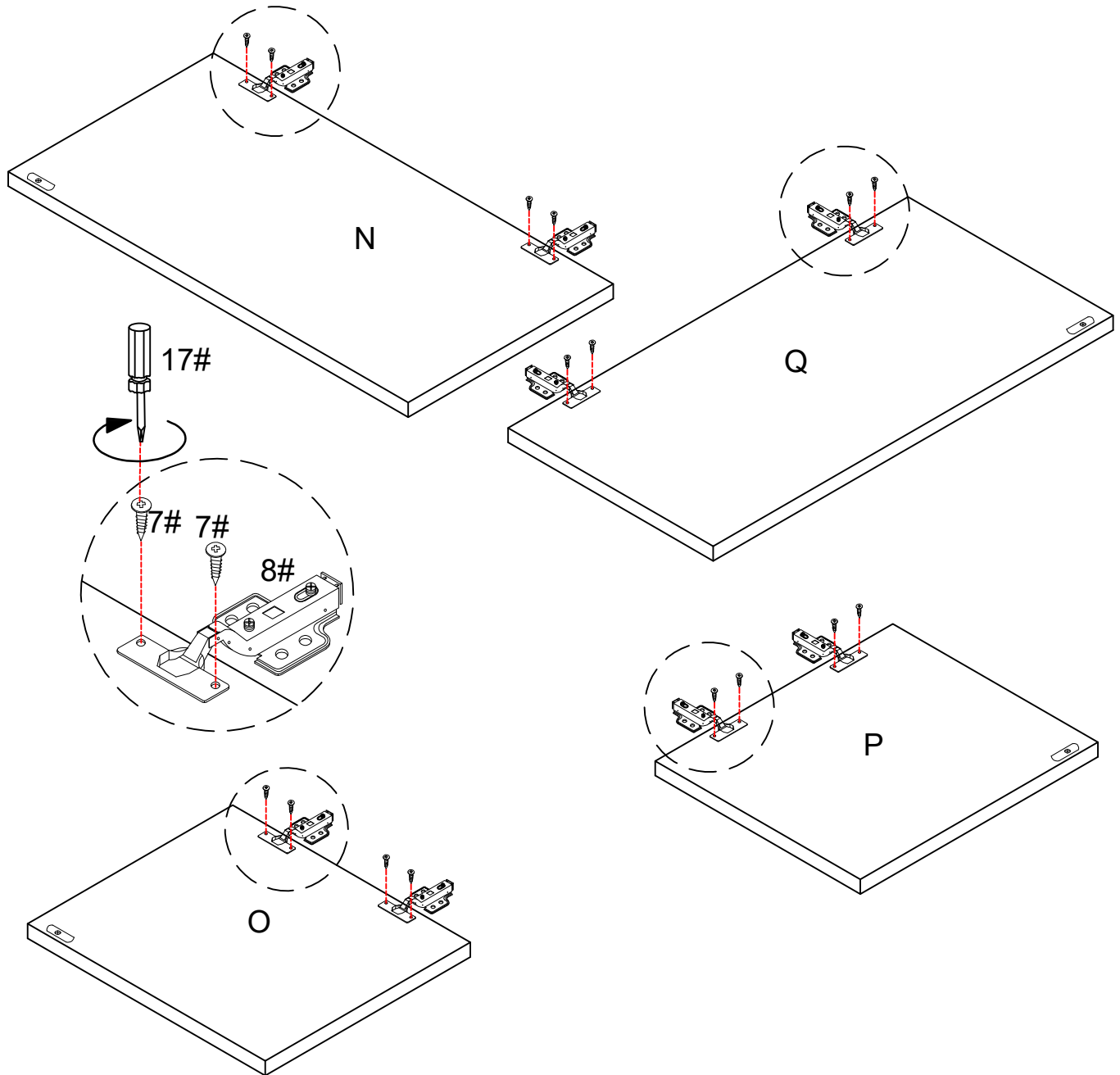
17#	x1
	


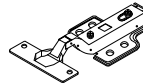
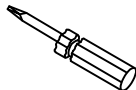


# ASSEMBLY INSTRUCTIONS

## STEP-11

1. connect part #8 to door(N/Q/O/P) with screw #7, tight screw with screwdriver #17.

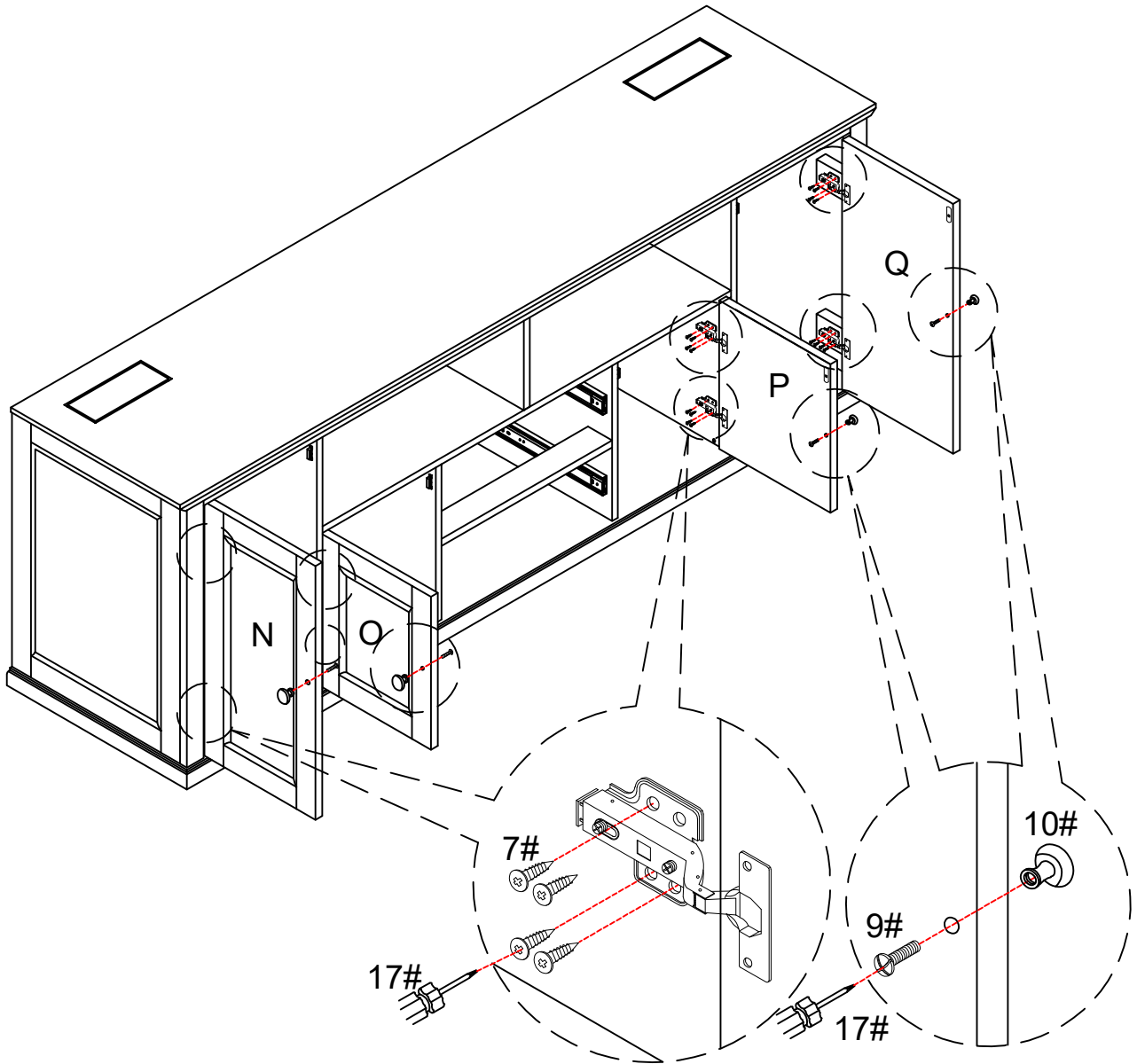





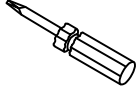
7#	x16	8#	x8	17#	x1
					
Ø3x15mm					

# ASSEMBLY INSTRUCTIONS

## STEP-12

1. connect door(N/Q/O/P) to the unit pre-assembled at step 10 with screw #7, tight screw with screwdriver #17.
2. connect the knob #10 to the door with small bolt #9, tight bolt with screwdriver #17.

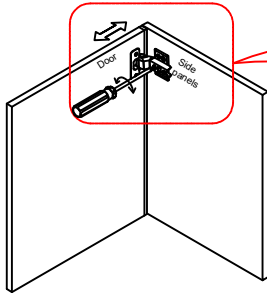


7#	x32	9#	x4	10#	x4	17#	x1
							
Ø3x15mm		5/32"*22MM					

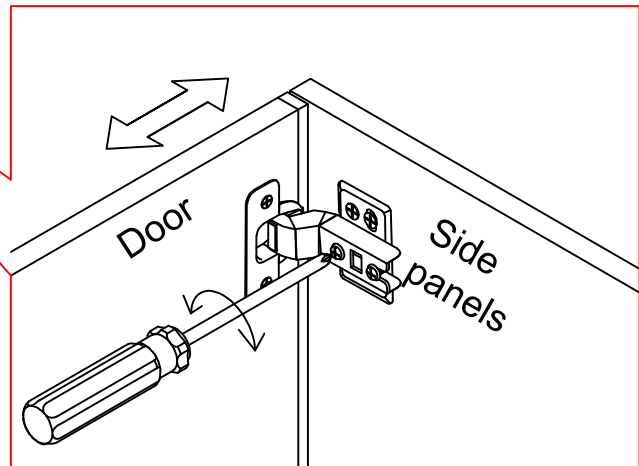
# ASSEMBLY INSTRUCTIONS

## STEP-13

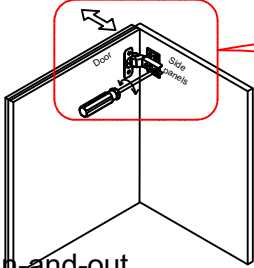
Concealed hinges are three-way adjustable:



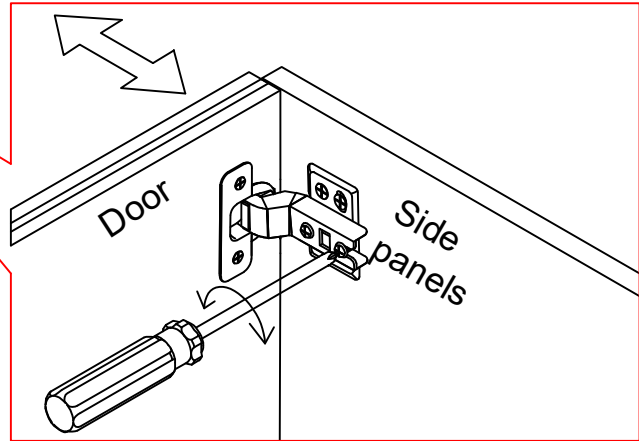
Horizontal  
by screw adjustment!



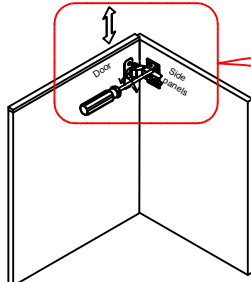
Concealed hinges are three-way adjustable:



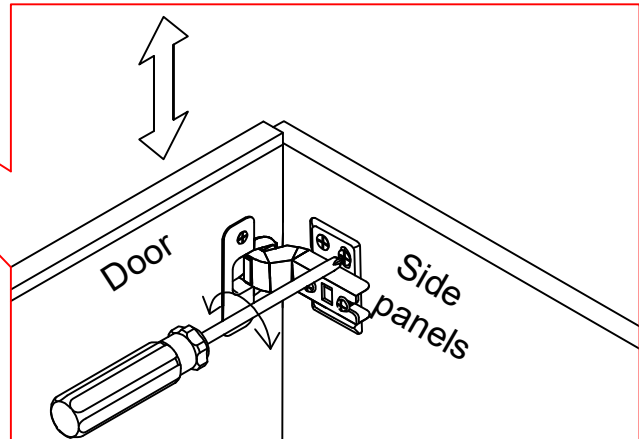
In-and-out  
by loosening the hinge arm  
mounting screw or via cam  
adjustment!



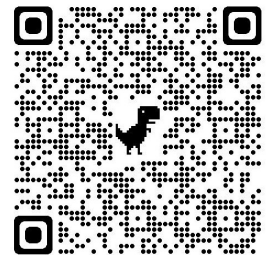
Concealed hinges are three-way adjustable:



Vertical via slots in  
the mounting plate  
or via cam  
adjustment!



## Hinge adjustment method

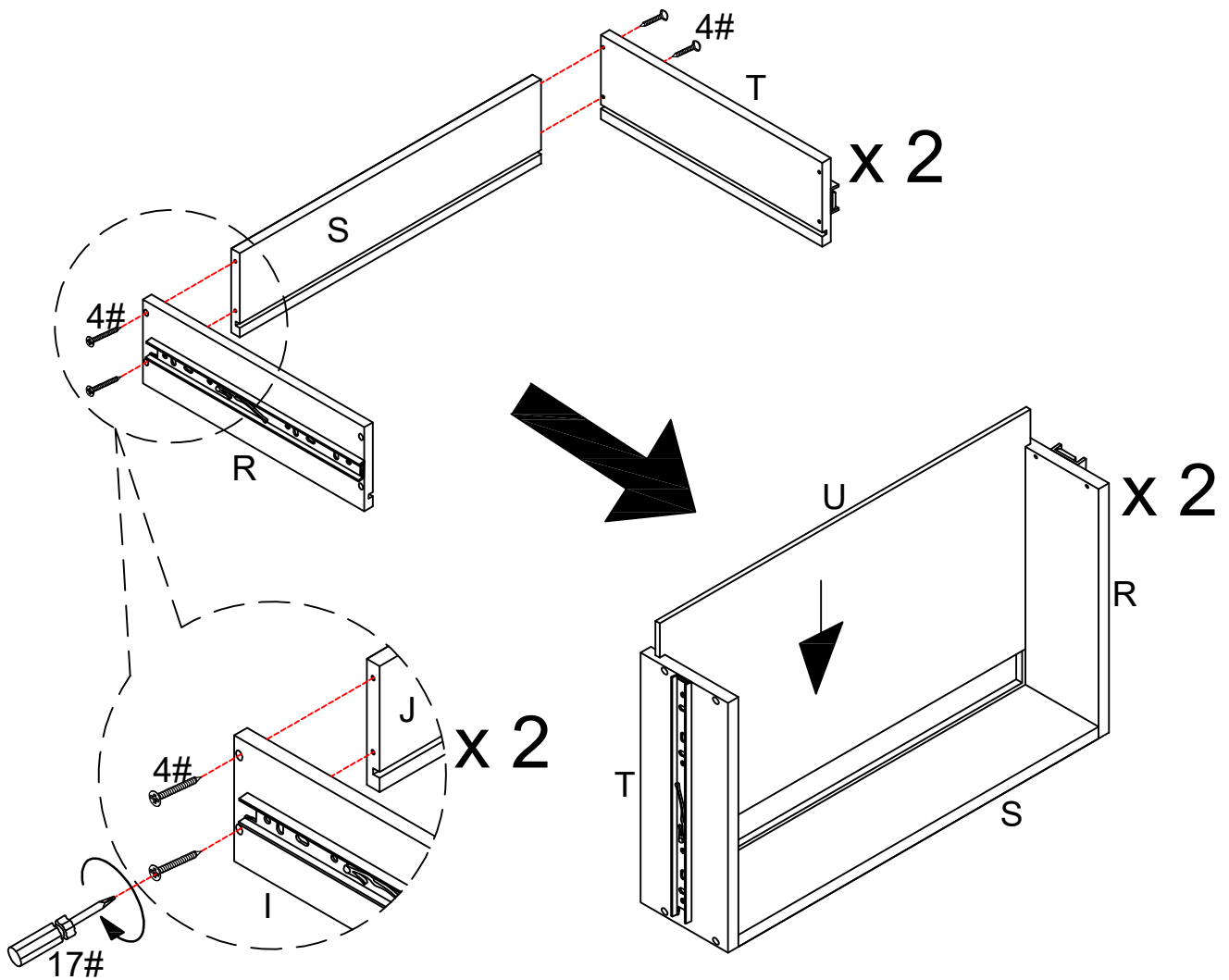



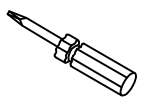
Video for door adjustment

# ASSEMBLY INSTRUCTIONS

## STEP-14

1. connect part (T/R) to part(S) with screw #4, tight screw with screwdriver #17.
2. slide the part (U) to part (R/T). make sure it also in the groove of part (S).



4#	x8	17#	x1
			
Ø4x25mm			

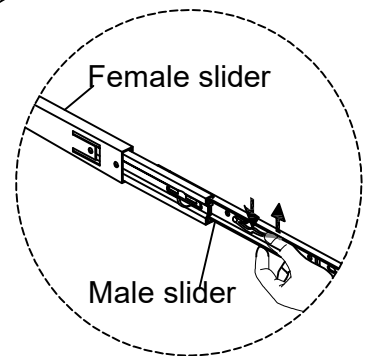
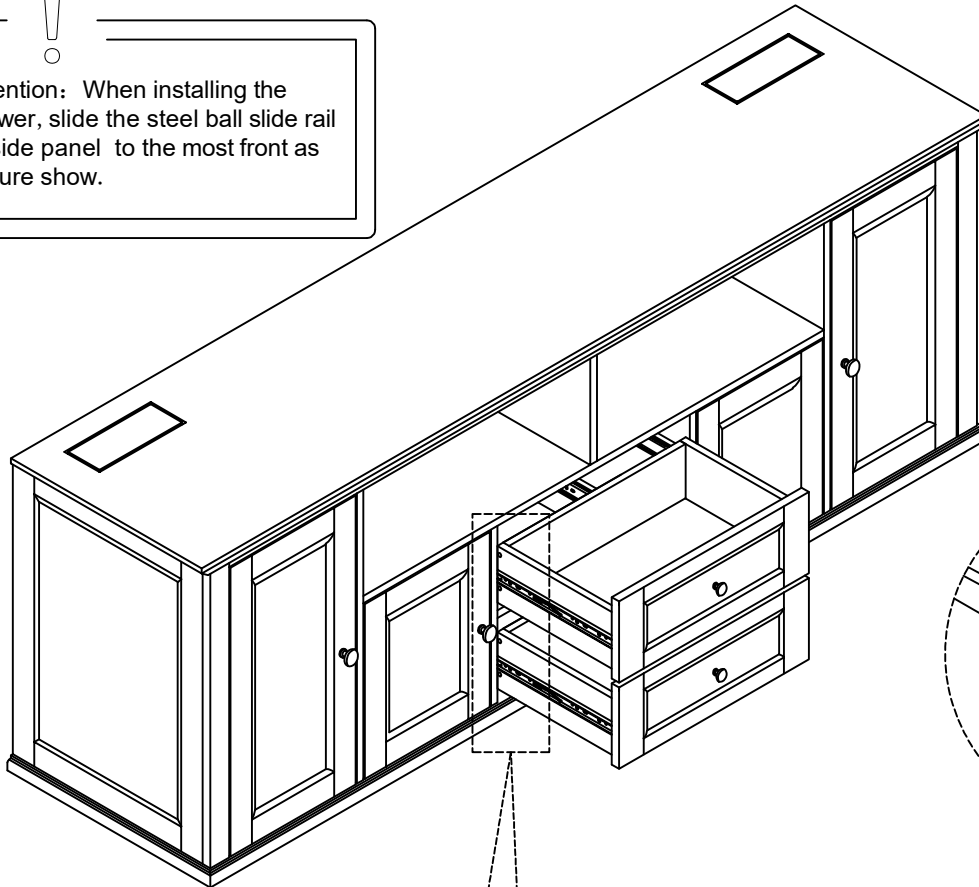


# ASSEMBLY INSTRUCTIONS

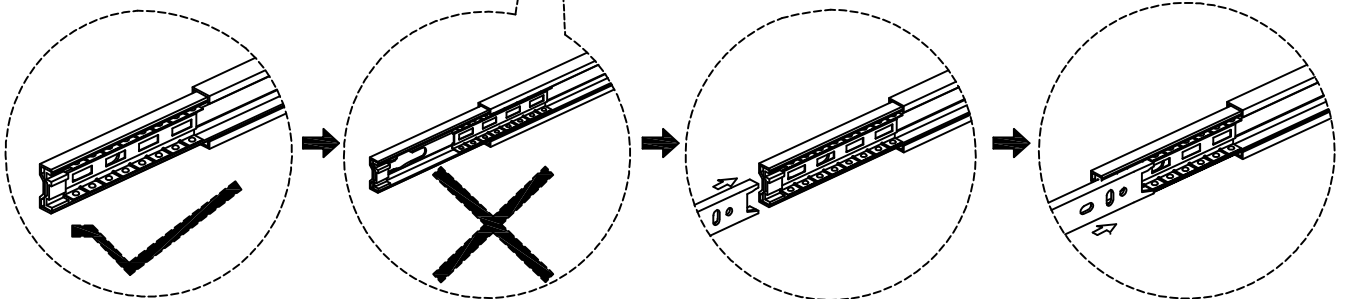
## STEP-16

1. attach drawer to the unit pre-assembled at step 12.

! Attention: When installing the drawer, slide the steel ball slide rail of side panel to the most front as picture show.

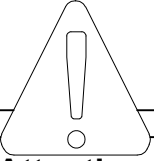


Schematic diagram of slide rail disassembly

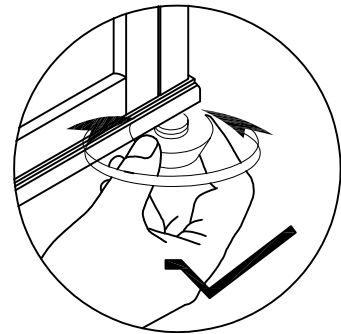
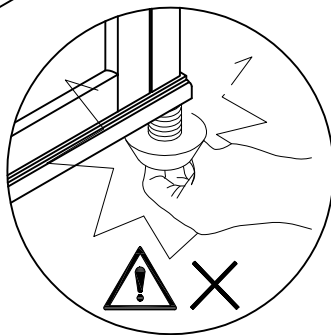
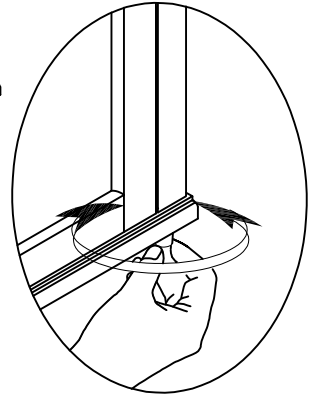
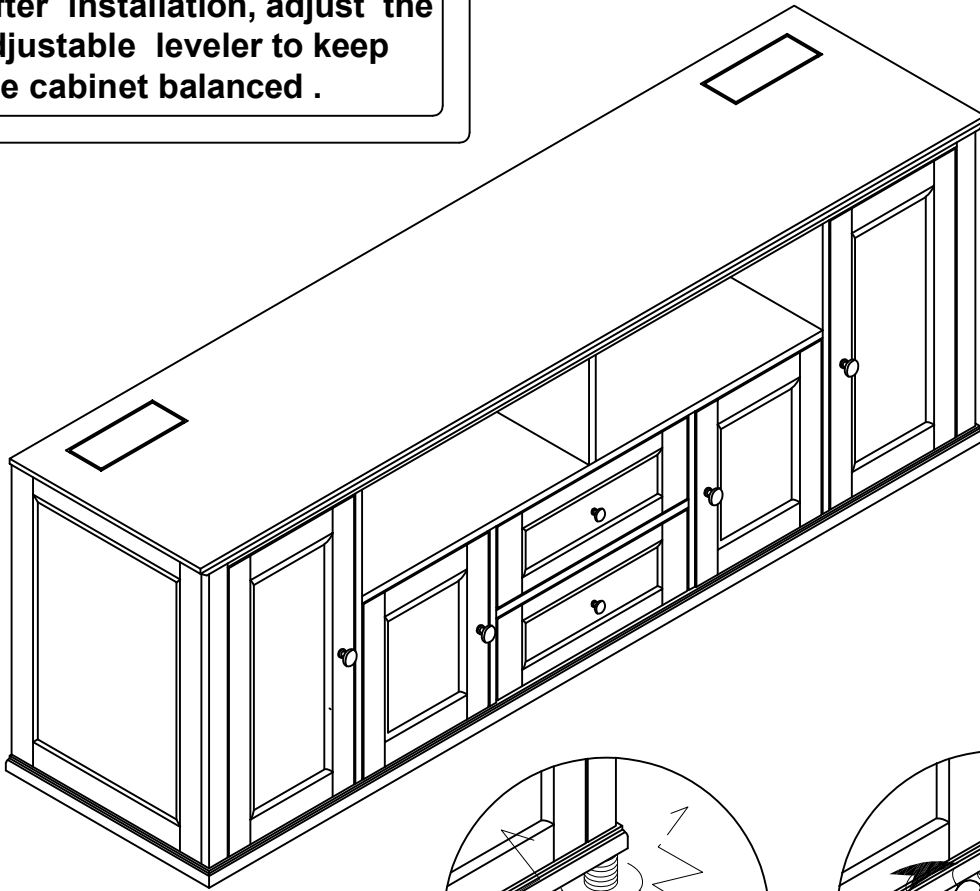


# ASSEMBLY INSTRUCTIONS

## STEP-17

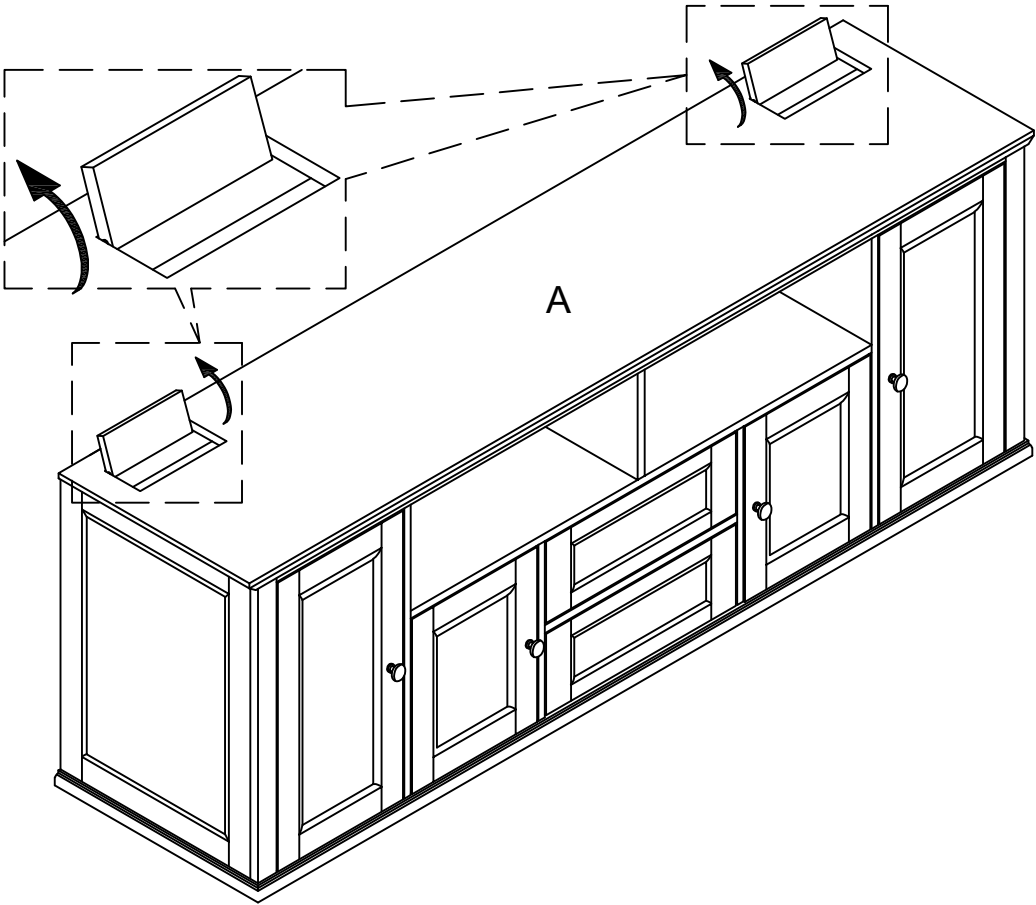


**Attention:**  
After installation, adjust the  
adjustable leveler to keep  
the cabinet balanced .



# ASSEMBLY INSTRUCTIONS

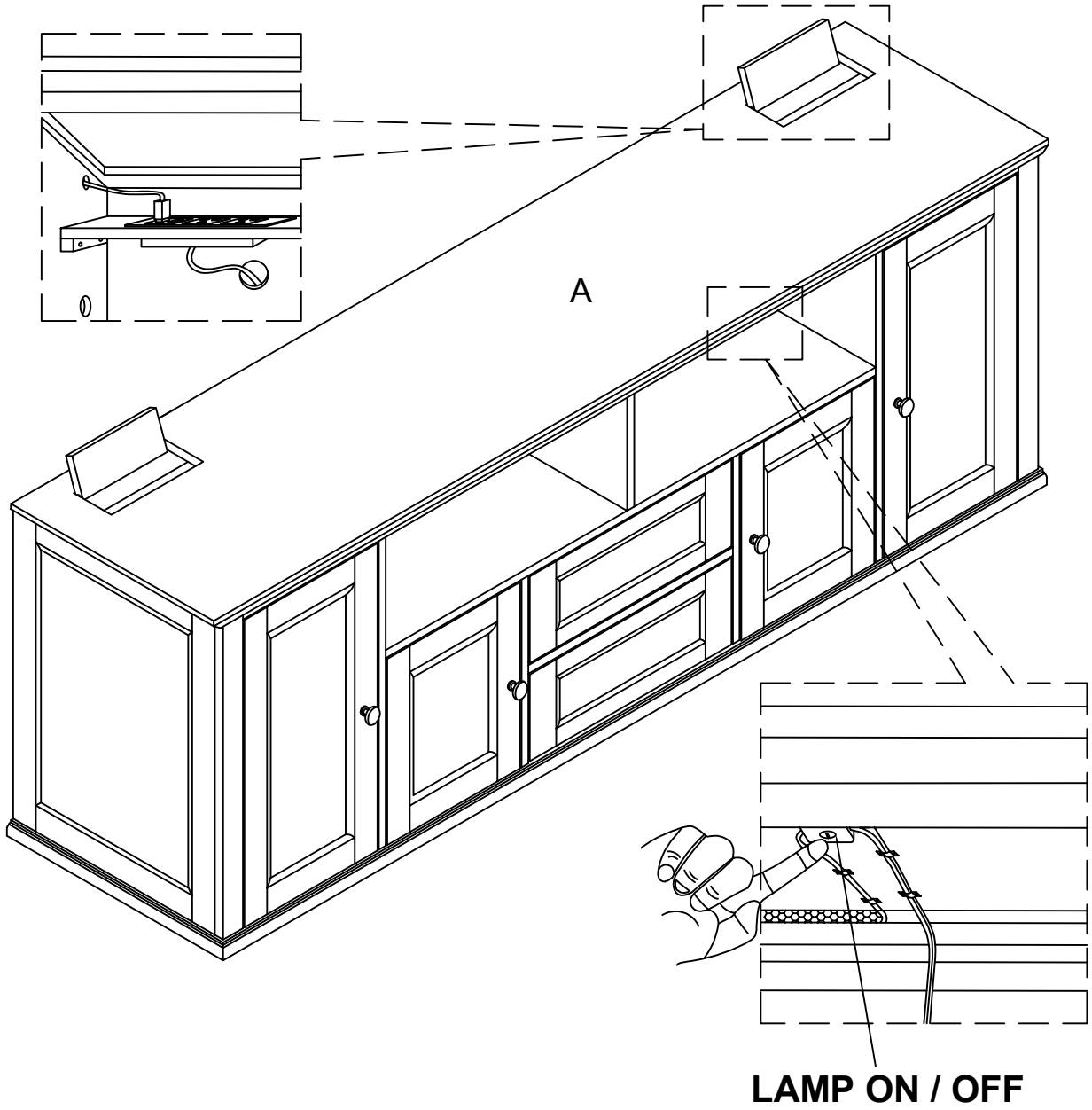
## STEP-18



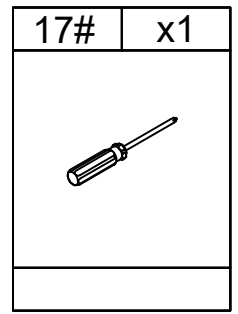
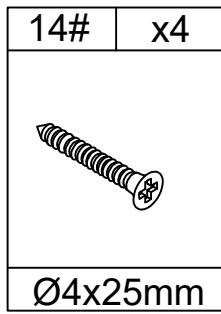
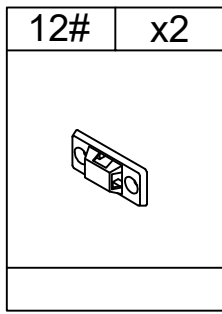
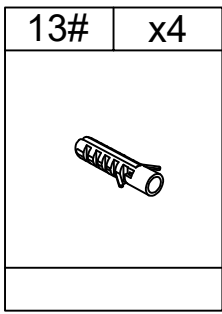


# ASSEMBLY INSTRUCTIONS

## STEP-19

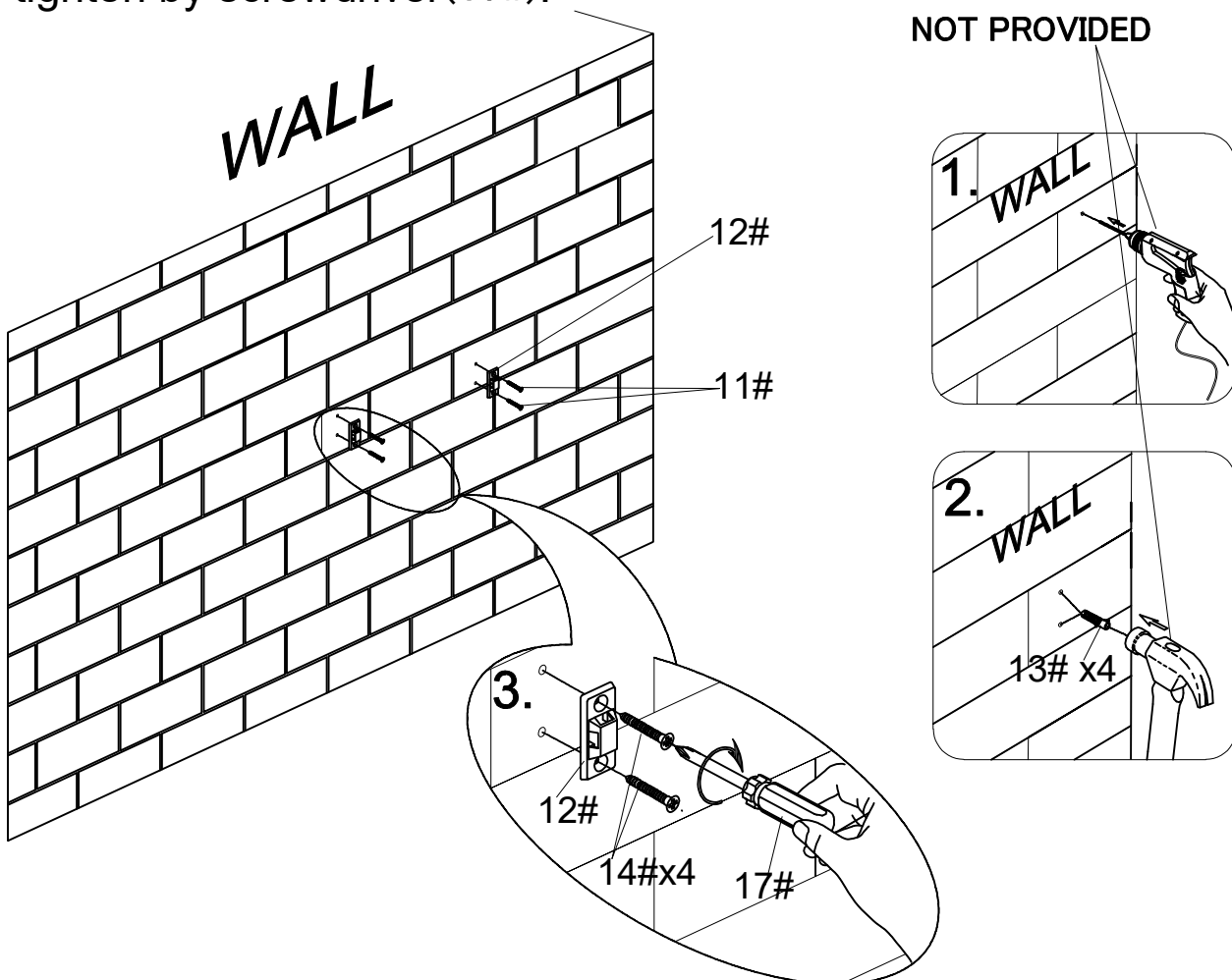


# ASSEMBLY INSTRUCTIONS



## STEP-20

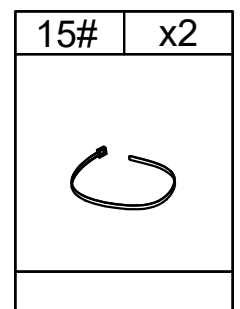
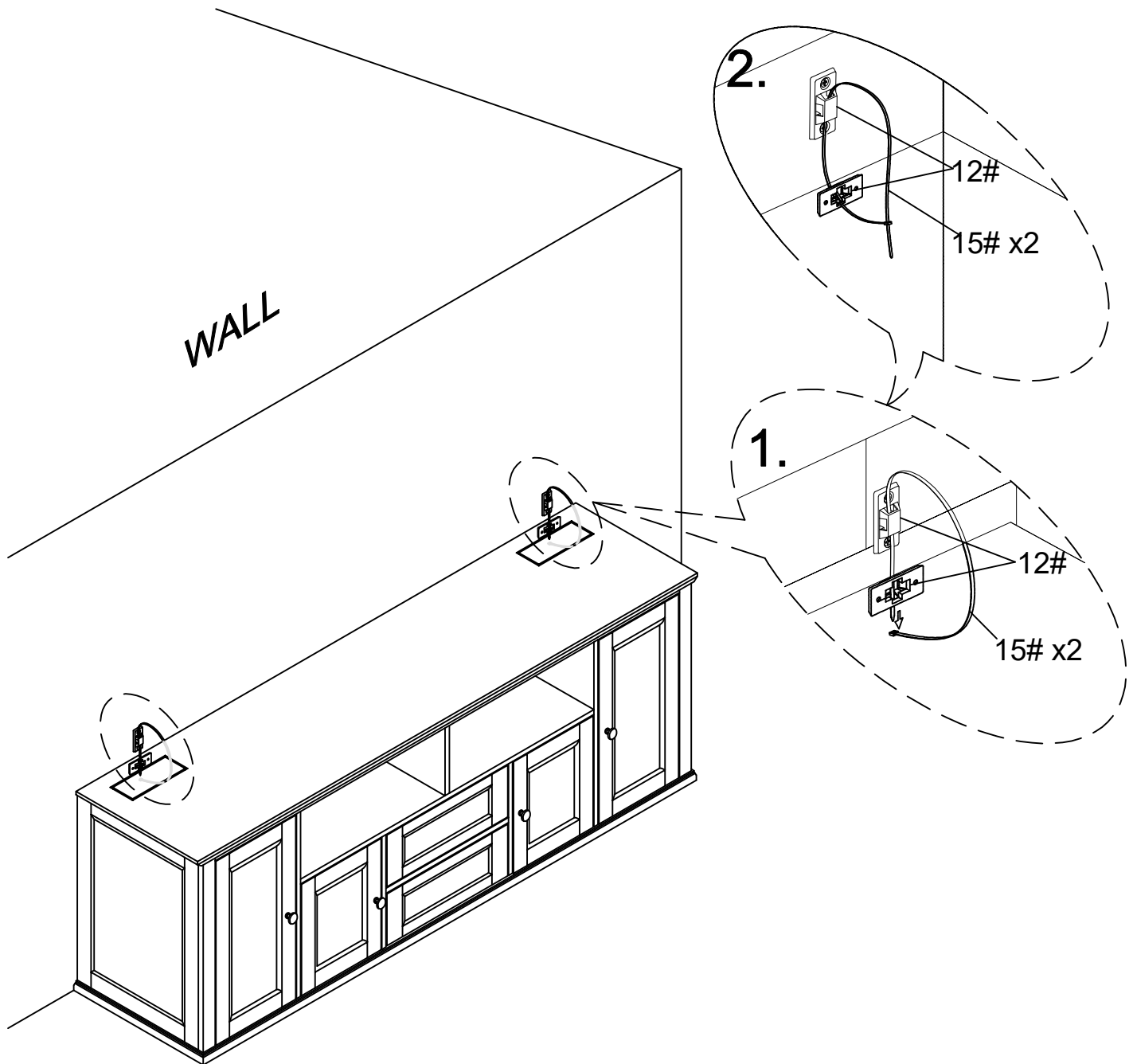
1. Install the anti-collapse device.
2. Mark the position on the wall, that corresponds to the location of part (12#) on the back of panel (K); Drill and insert the expandable screw (13#) by hammer.
3. Assemble the part (12#) to the wall. Align the hole in the part (12#) with the expandable screw (13#), use screw (14#) to attach it and tighten by screwdriver (17#).



# ASSEMBLY INSTRUCTIONS

## STEP-15

1. Let the plastic belt (15#) pass through the both part (12#) and pull tightly.



# WARRANTY

1. We strive to offer high-quality products, and we also try our best to satisfy each and every customer that orders from us with product or service as needed.
2. We provide 30 days warranty starting from the time you receive the item. Each customer must provide a record of their order such as the order number, or item receipt for any items that are out of the warranty period you may also still receive.
3. Replacement parts by purchasing them with our company if they are available.

Are you having difficulty  
With assembly? Missing parts?  
Please send email with your order No to  
[customerservice@hulalahome.com](mailto:customerservice@hulalahome.com)  
For return, please check the return policy with  
the retailer or market place you bought from.

Appreciate your purchasing from us.  
Pop up your life by our furniture piece!