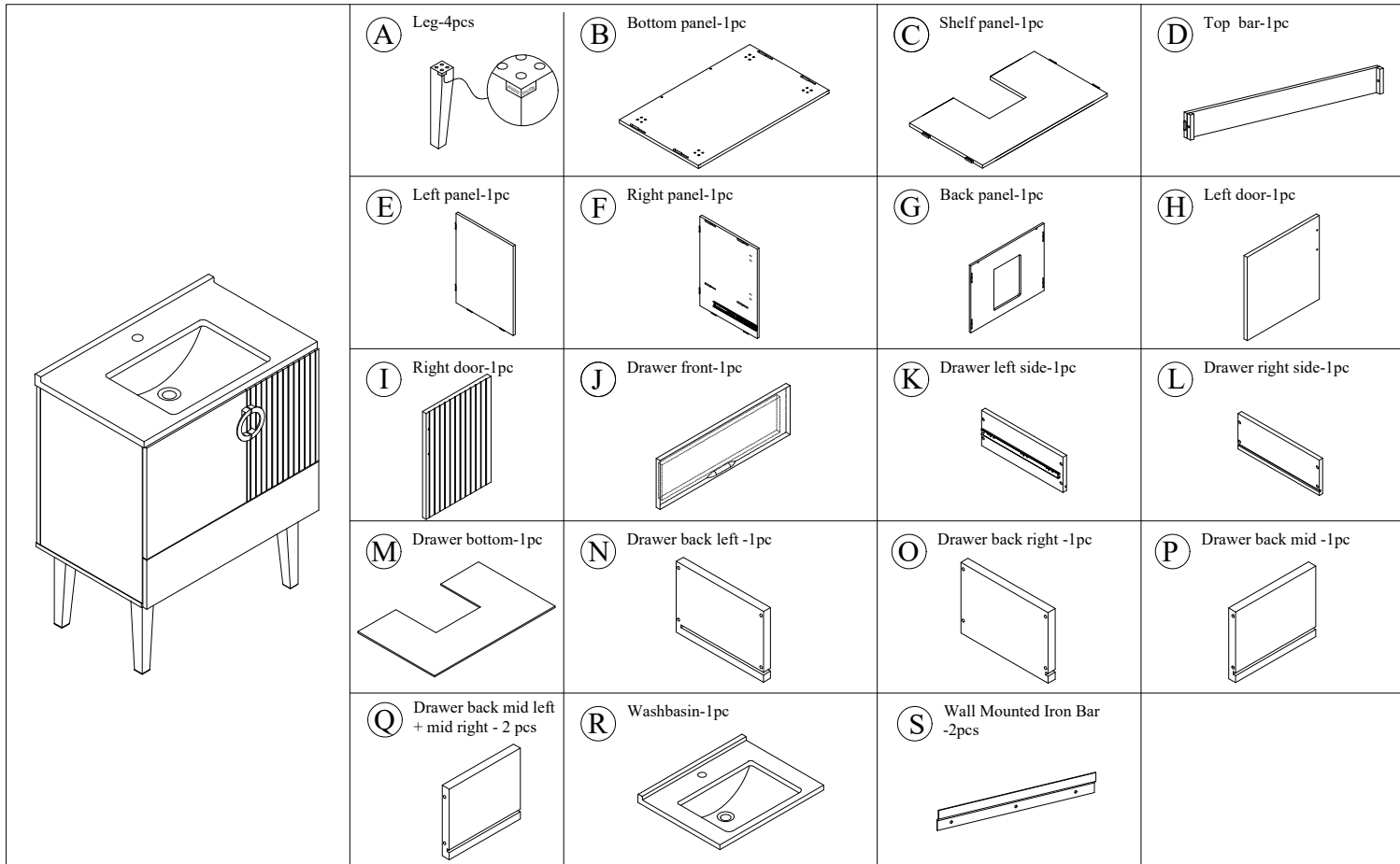
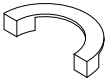

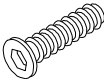
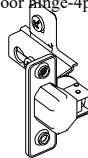


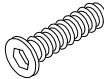





VTYM0338 RIGOBERTO 30" SINGLE BATHROOM VANITY SET


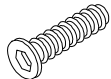

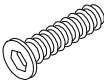
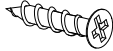
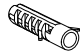
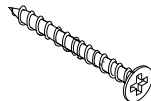


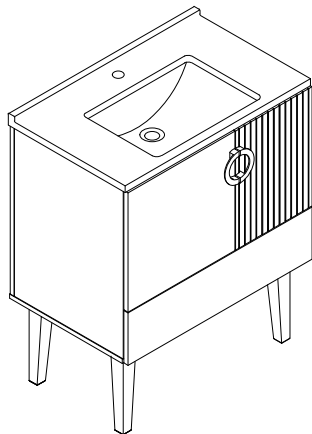
VTYM0338 RIGOBERTO 30" SINGLE BATHROOM VANITY SET

HARDWARE LIST

<p>① Handle-2pcs</p> 	<p>② 25mm Bolt-4pcs</p> 	<p>③ Ø1/4"*25mm Bolt-34pcs</p> 	<p>④ Door hinge-4pcs</p> 	<p>⑤ #3.5*15mm Screw-12pcs</p> 
<p>⑥ Allen key-1pc</p> 	<p>⑦ Ø1/4"*35mm Bolt-2pcs</p> 	<p>⑧ #4*15mm Screw black-3pcs</p> 	<p>⑨ Ø4*35mm Anchor bolts-3pcs</p> 	<p>⑩ #4*40mm Screw black-3pcs</p> 

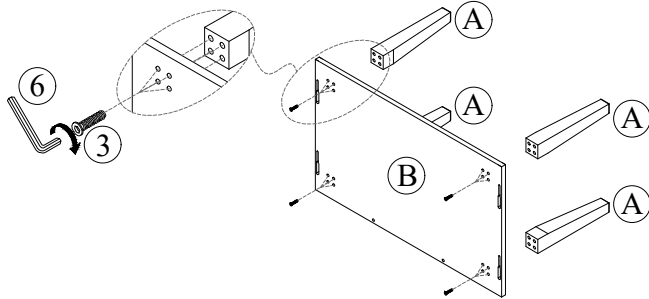
SPARE

<p>② 25mm Bolt-1pcs</p> 	<p>③ Ø1/4"*25mm Bolt-1pcs</p> 	<p>⑤ #3.5*15mm Screw-1pcs</p> 	<p>⑦ Ø1/4"*35mm Bolt-1pcs</p> 	<p>⑧ #4*15mm Screw black-1pcs</p> 
<p>⑨ Ø4*35mm Anchor bolts-1pcs</p> 	<p>⑩ #4*40mm Screw black-1pcs</p> 			

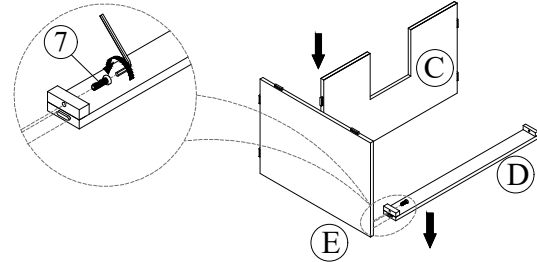


VTYM0338 RIGOBERTO 30" SINGLE BATHROOM VANITY SET

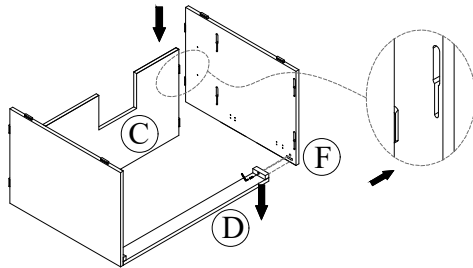
Step 1. Following below illustration Assembly Frame #1
Using hardware #3 connect bottom panel B with the legs A.



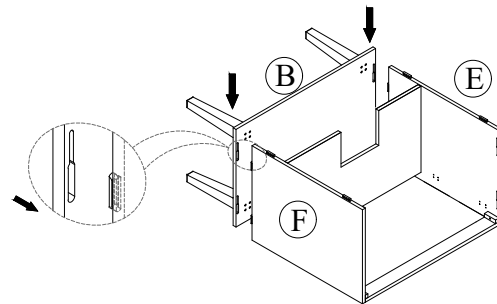
Step 2. Following below illustration Assembly Frame #2
Using the plastic piece fixed on board C, D shelf panel and top frame, move accordingly to E left panel into the groove and move down.
Using the bolt(7) move Top bar to E left panel



Step 3. Following below illustration Assembly Frame #3
Using the plastic piece fixed on board C, D shelf panel and top frame, move accordingly to F right panel into the groove and move down.
Using the bolt(7) move Top bar to E left panel



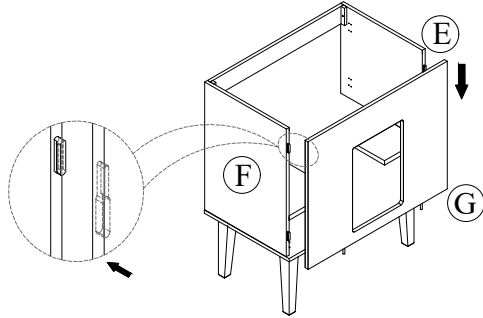
Step 4. Following below illustration Assembly Frame #4
Using the plastic piece fixed on board E, F left-right side panel, move accordingly to B bottom panel into the groove and move down.
And rotate 90° vertically.



VTYM0338 RIGOBERTO 30" SINGLE BATHROOM VANITY SET

Step 5. Following below illustration Assembly Frame #5

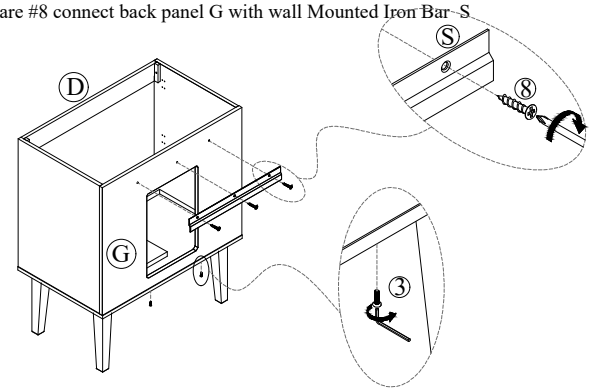
Using the plastic piece fixed on board E, F left-right side panel, move accordingly to G back panel into the groove and move down.



Step 6. Following below illustration Assembly Frame #6

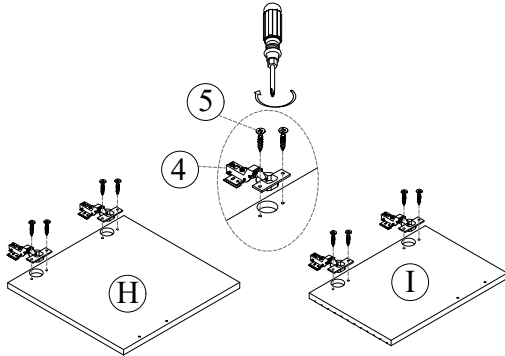
Using hardware #3 connect back panel G with Bottom panel B.

Using hardware #8 connect back panel G with wall Mounted Iron Bar S



Step 7. Following below illustration Assembly Frame #7

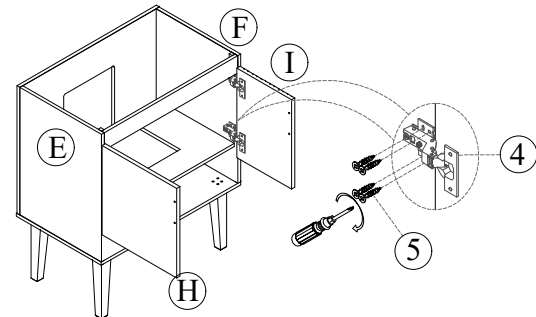
Using hardware #5 connect the hinge #4 with the left-right door H, I.



Step 8. Following below illustration Assembly Frame #8

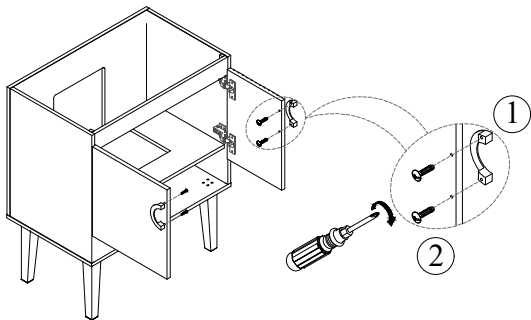
Add the left-right door H, I to the front on the cabinet

Using hardware #5 connect the hinge #4 with the left-right side panel E, F.

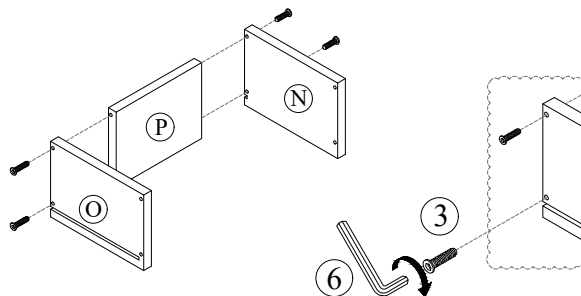


VTYM0338 RIGOBERTO 30" SINGLE BATHROOM VANITY SET

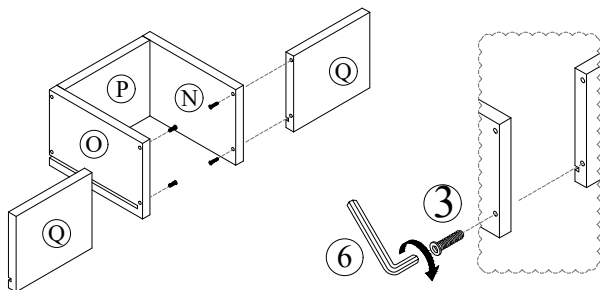
Step 9. Following below illustration Assembly Frame #9
Using hardware #2 connect the doors H, I with the handle #1.



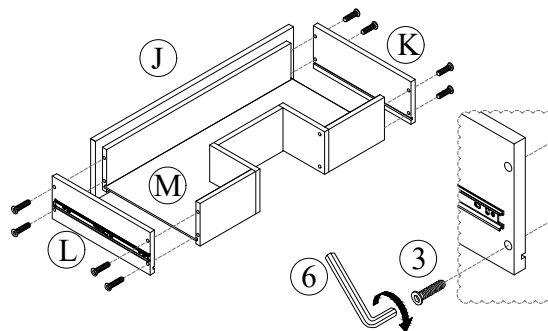
Step 10. Following below illustration Assembly Frame#10
Using hardware #6,#3 connect the drawer back mid P with drawer back left-right N,O



Step 11. Following below illustration Assembly Frame #11
Using hardware #6,#3 connect the drawer Step10)with drawer back mid left-right Q.

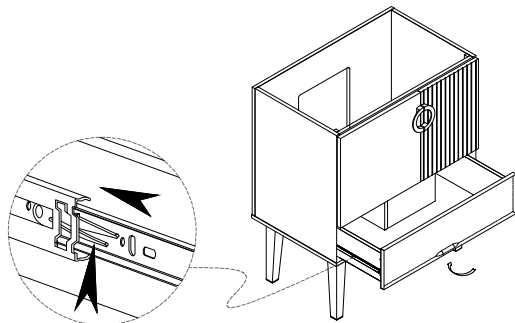


Step 12. Following below illustration Assembly Frame #12
Add the drawer bottom N to the inside with the drawer front-back J+Step 11
Using hardware #3 connect the drawer left-right side L, M with the drawer front-back



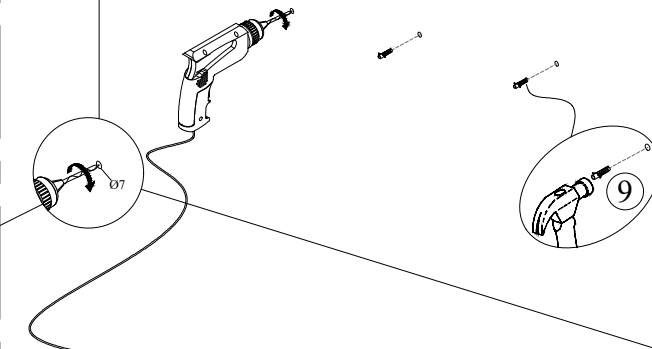
VTYM0338 RIGOBERTO 30" SINGLE BATHROOM VANITY SET

Step 13. Following below illustration Assembly Frame #13
Add the drawer Frame #10 to the inside with the cabinet
Open the drawer from the bottom negative handle as shown below.



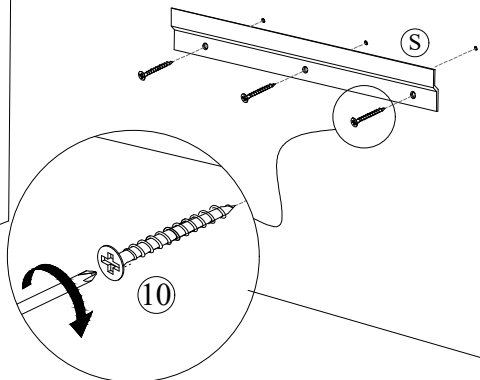
Step 14. Following below illustration Assembly Frame #14
Using drill 07 drill into the wall
Using hardware #9 attached to the wall.

Wall



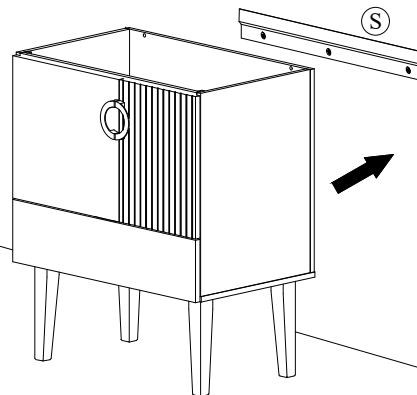
Step 15. Following below illustration Assembly Frame #15
Using hardware #10 connect wall mounted ron bar S into the wall.

Wall



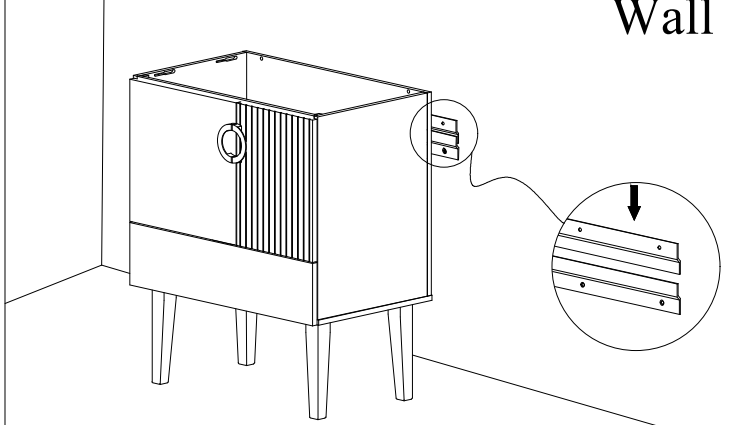
Step 16. Following below illustration Assembly Frame #16

Wall



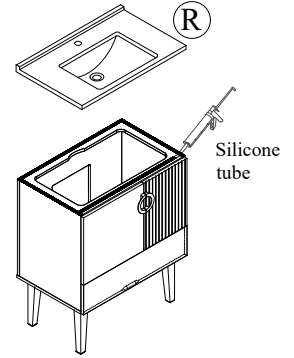
VTYM0338 RIGOBERTO 30" SINGLE BATHROOM VANITY SET

Step 17. Following below illustration Assembly Frame #17



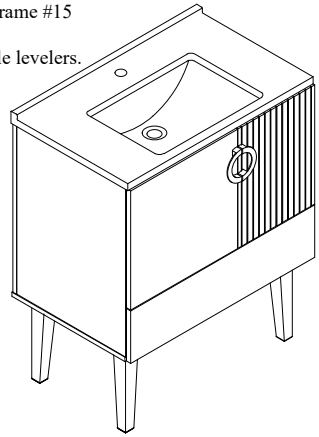
Step 14. Following below illustration Assembly Frame #14

- Clean the top surface of the cabinet frame
 - Apply a sufficient amount of silicone to the top of the vanity frame.
 - Install the stone surface according to the illustration, align the back edge of the stone with the back of the vanity, the two sides are balanced between the vanity
 - Wipe off excess silicone immediately.
- Fixed place and let dry for 4 hours.



Step 15. Following below illustration Assembly Frame #15

- Place the vanity in the desired location.
- Ensure the vanity is level by using the adjustable levelers.
- Install the faucet and all plumbing.
- Ensure there are no water leaks.



COMPLETED

