

Assembly Instructions

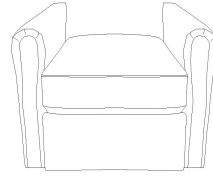
ITEM NO:Z2LRC0001

NOTE:

This brochure contains IMPORTANT safty info. Please read and keep for future reference.

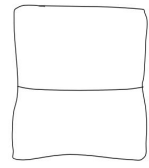
PARTS LIST

A*1



Seat

B*1



Back

C*2



Left side facing wing



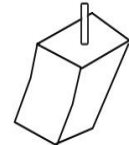
Right side facing wing

D*2

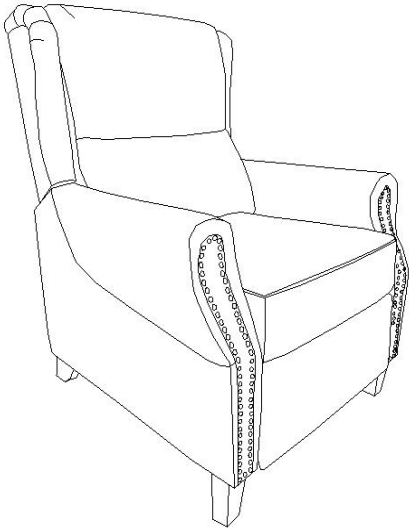


Front side leg

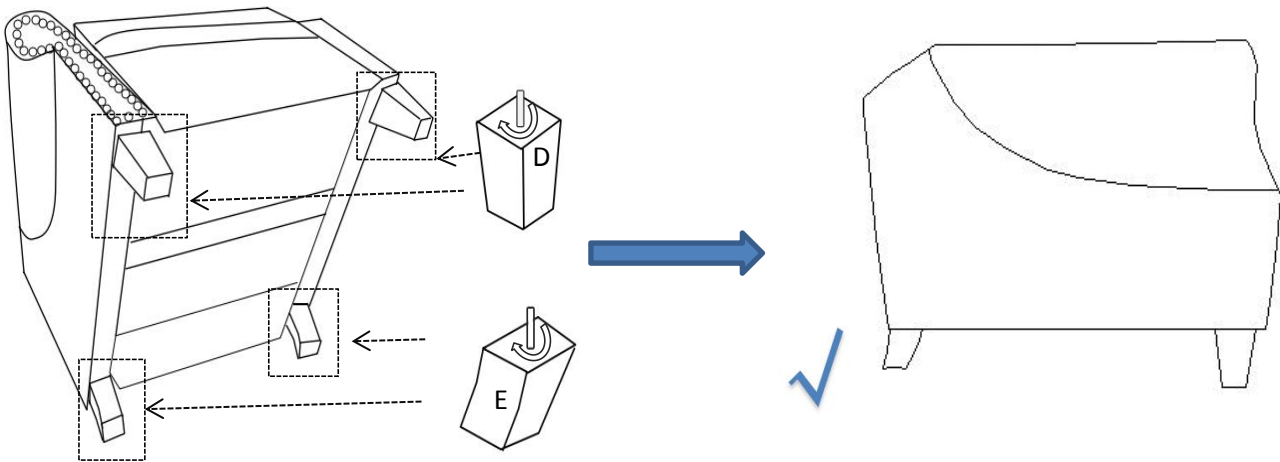
E*2



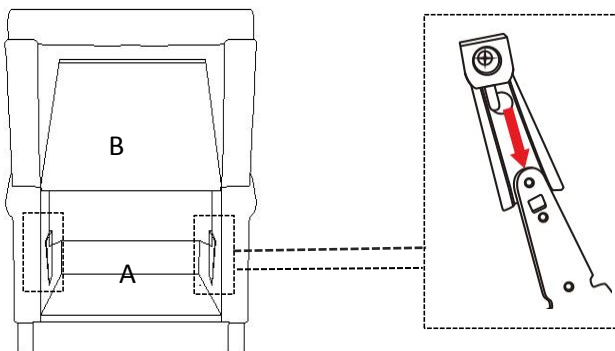
Back side leg



Step1

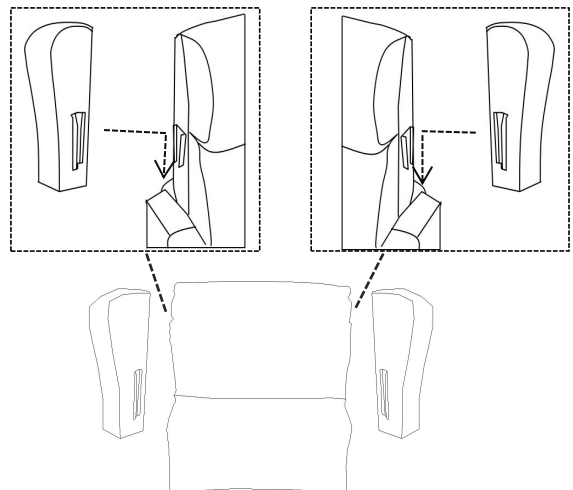


Step2



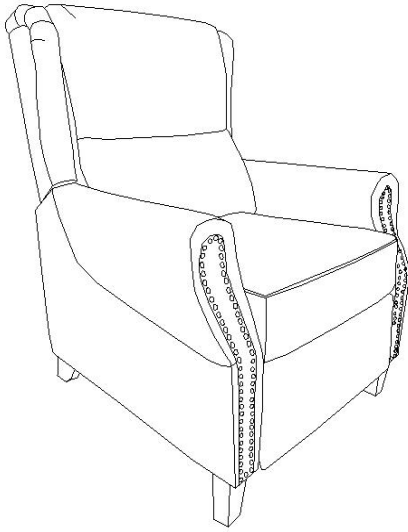
Step3

Left side facing wing Right side facing wing



Step4

Upright position



Reclined position

