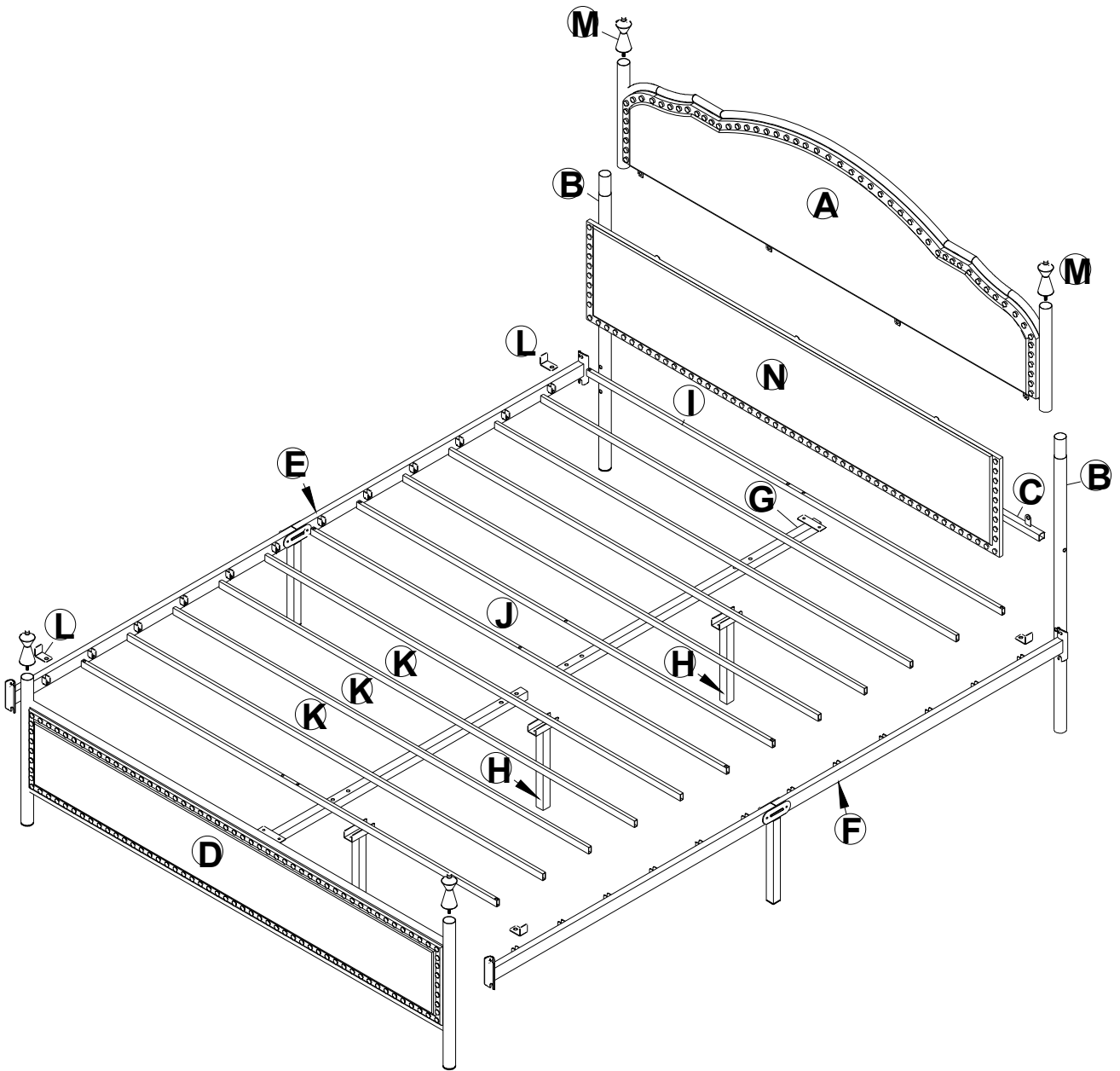
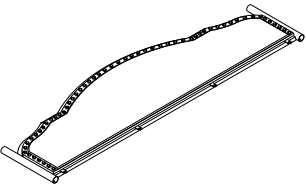
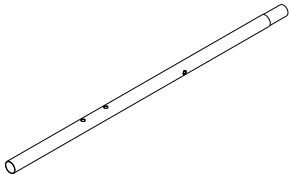
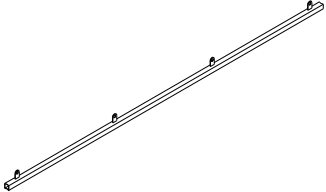
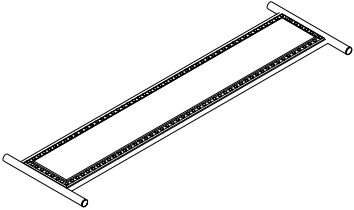
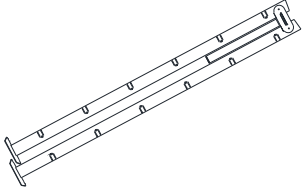
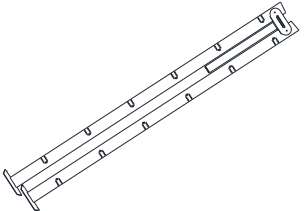
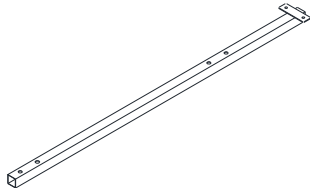
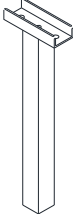
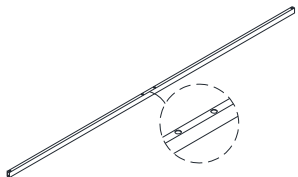
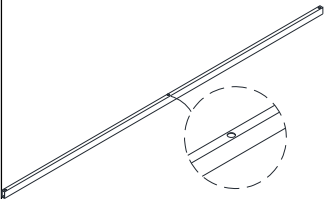
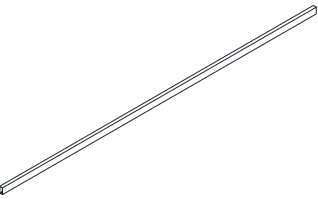
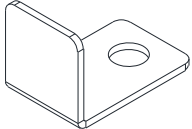
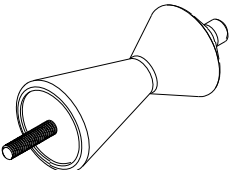
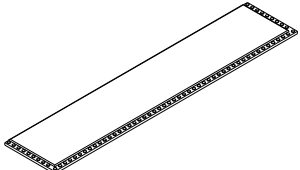
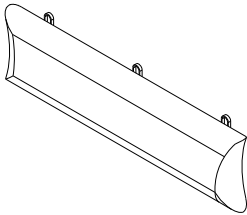


EXPLOSIVE VIEW

ZBDLX0271 Queen Bed

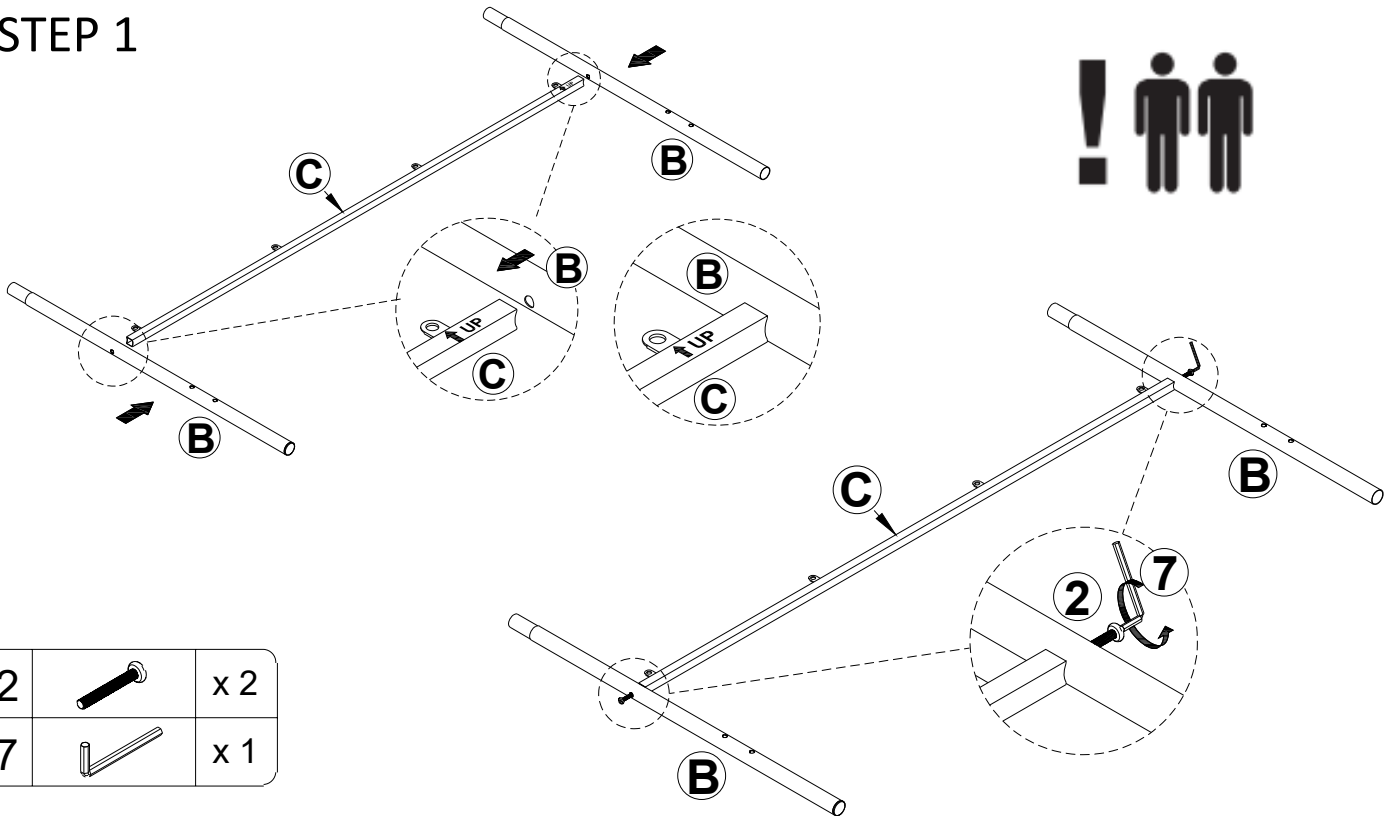


PARTS LIST

<p>A x 1</p>  <p>Headboard Panel</p>	<p>B x 2</p>  <p>Bed Post</p>	<p>C x 1</p>  <p>Rail for HB</p>	<p>D x 1</p>  <p>Footboard</p>
<p>E x 1</p>  <p>Left Rail</p>	<p>F x 1</p>  <p>Right Rail</p>	<p>G x 2</p>  <p>Middle Rail</p>	<p>H x 3</p>  <p>Leg</p>
<p>I x 2</p>  <p>Slats-I</p>	<p>J x 2</p>  <p>Slats-J</p>	<p>K x 8</p>  <p>Slats-K</p>	<p>L x 4</p>  <p>Bracket</p>
<p>M x 4</p>  <p>Ball</p>	<p>N x 1</p>  <p>Lower Headboard</p>	<p>O x 1</p>  <p>Back Big Cushion</p>	

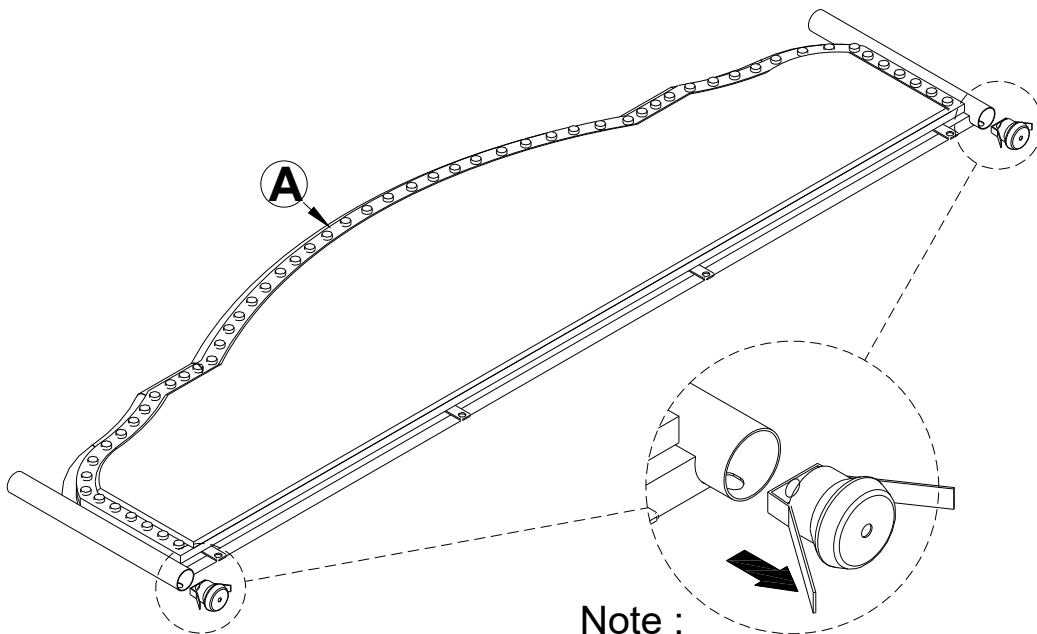
ASSEMBLY INSTRUCTION

STEP 1



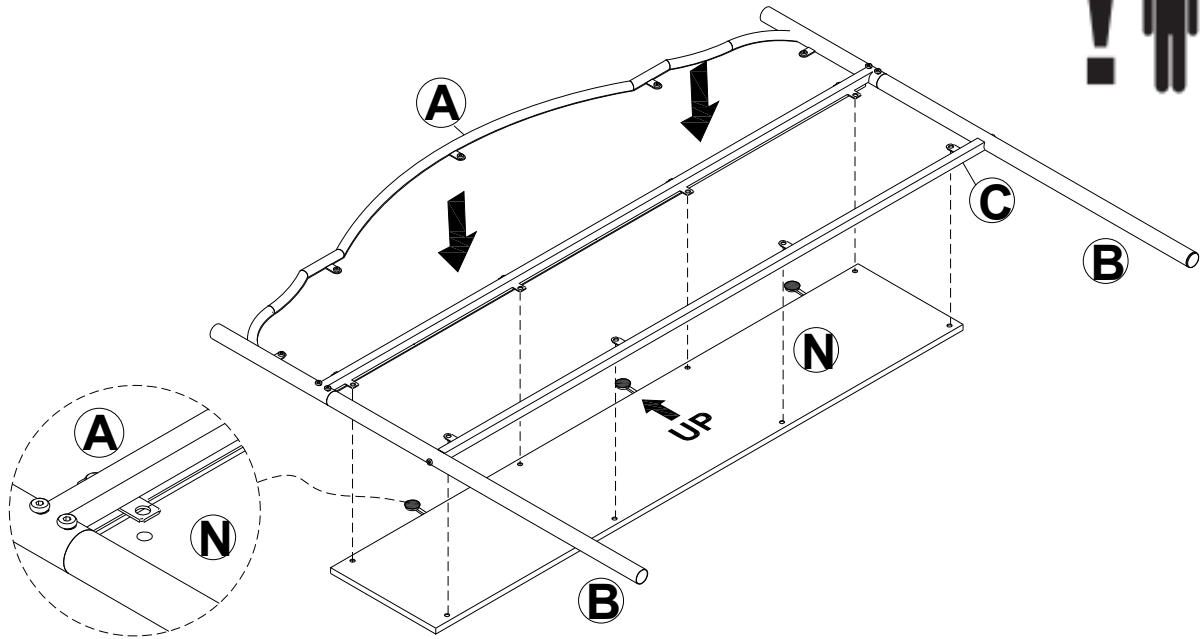
2		x 2
7		x 1

STEP 2



Note :
Take out the metal part,
It is only for package protection,
do not use it on this products.

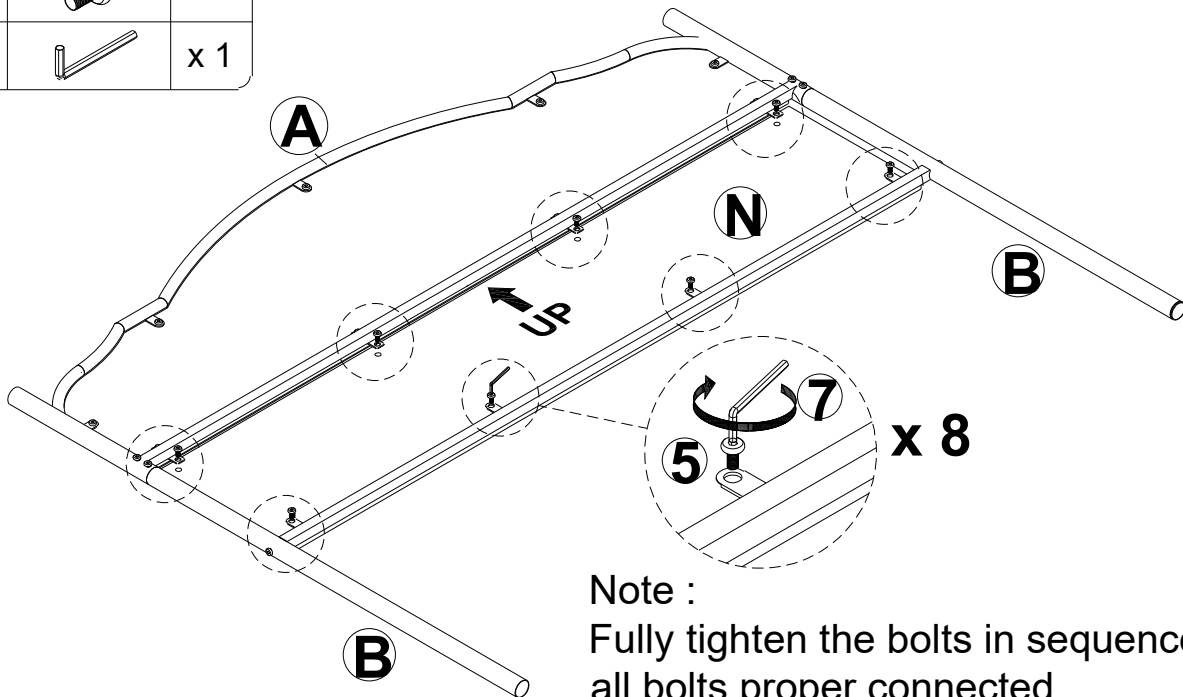
STEP 5



Note: Please make sure the three buttons are on the outside.

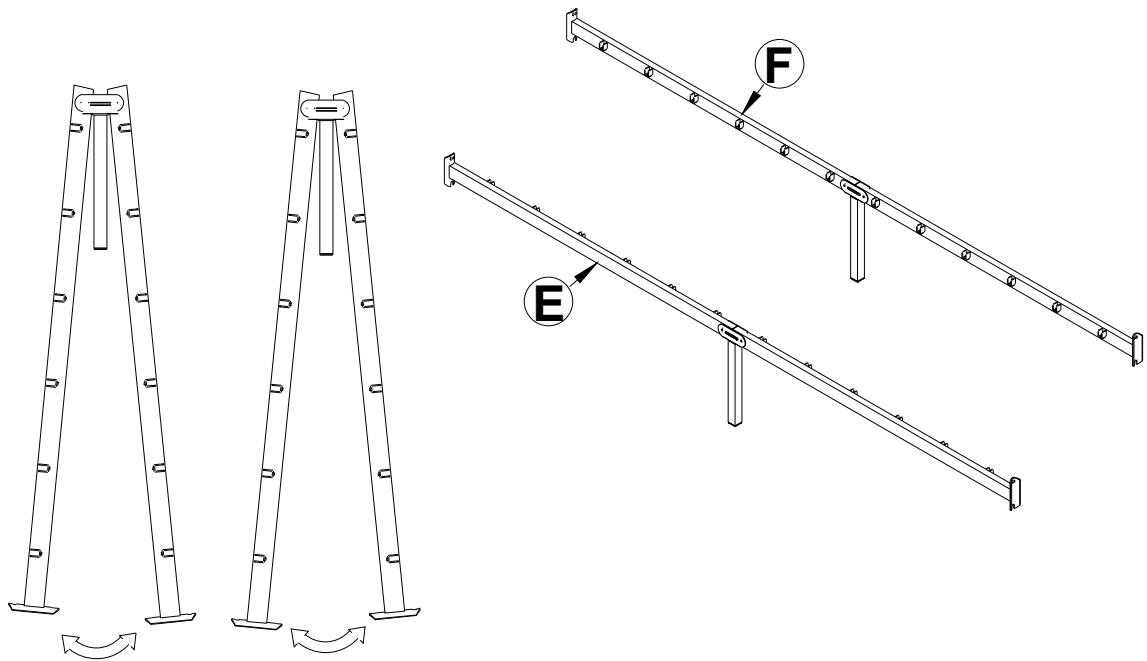
STEP 6

5		x 8
7		x 1





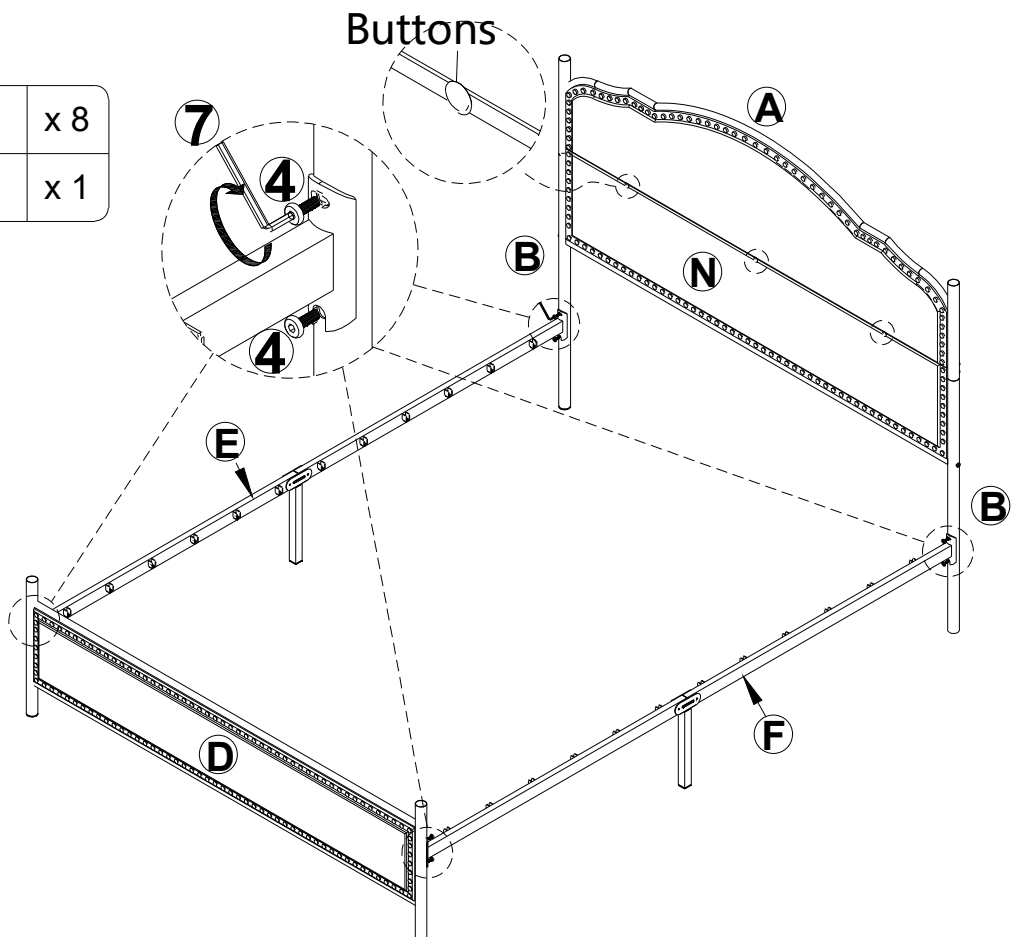
Note :
Fully tighten the bolts in sequence after all bolts proper connected.

STEP 7





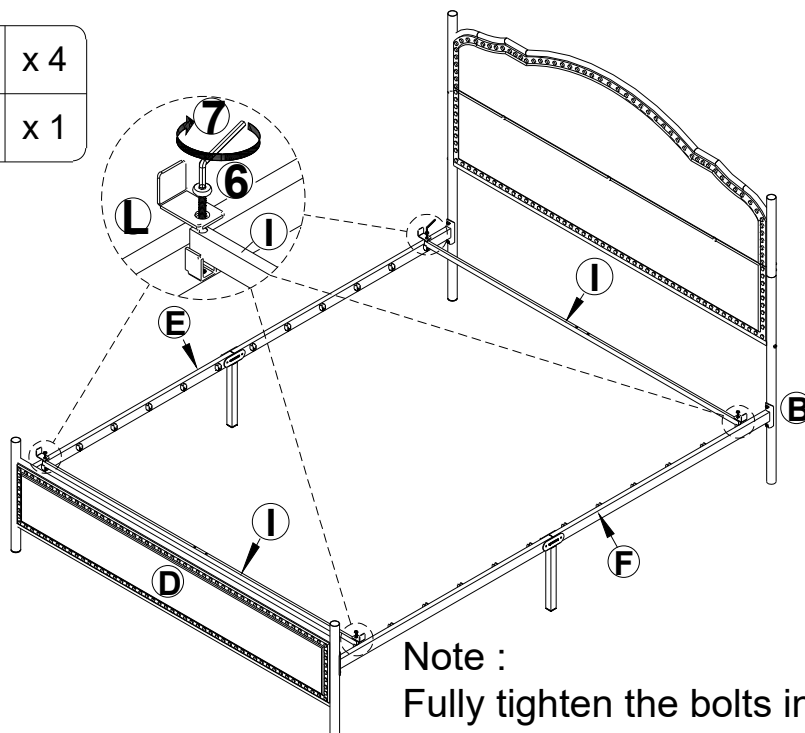
STEP 8

4		x 8
7		x 1





STEP 9

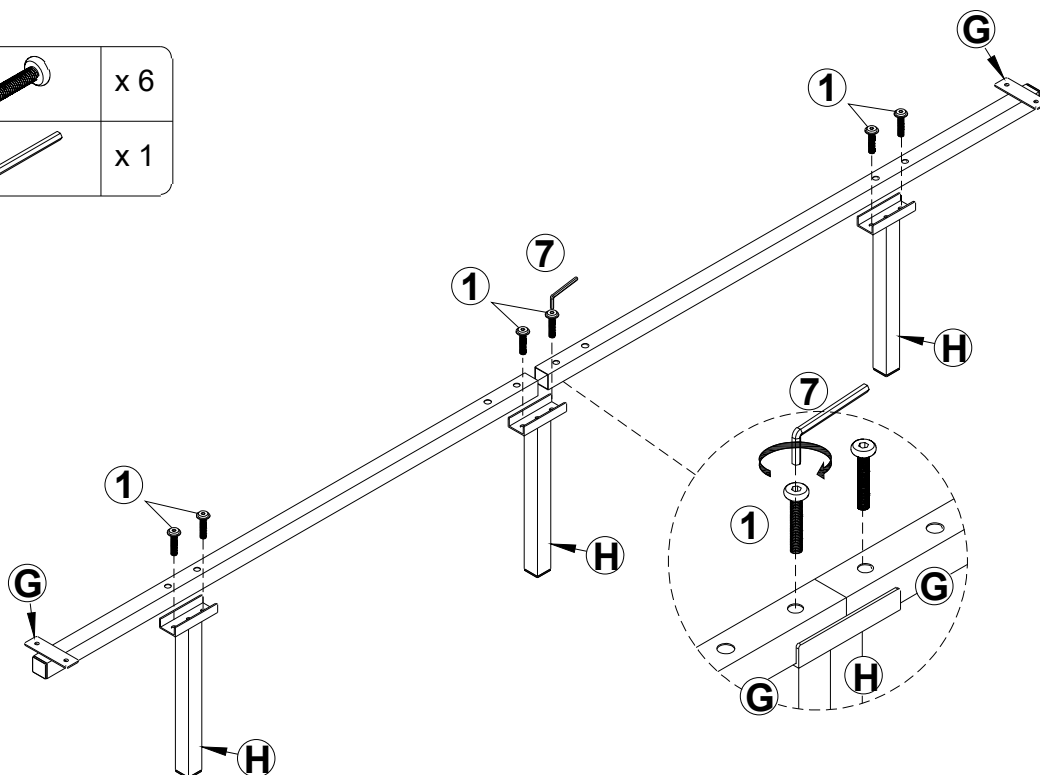
6		x 4
7		x 1





Note :
Fully tighten the bolts in sequence after all bolts proper connected.

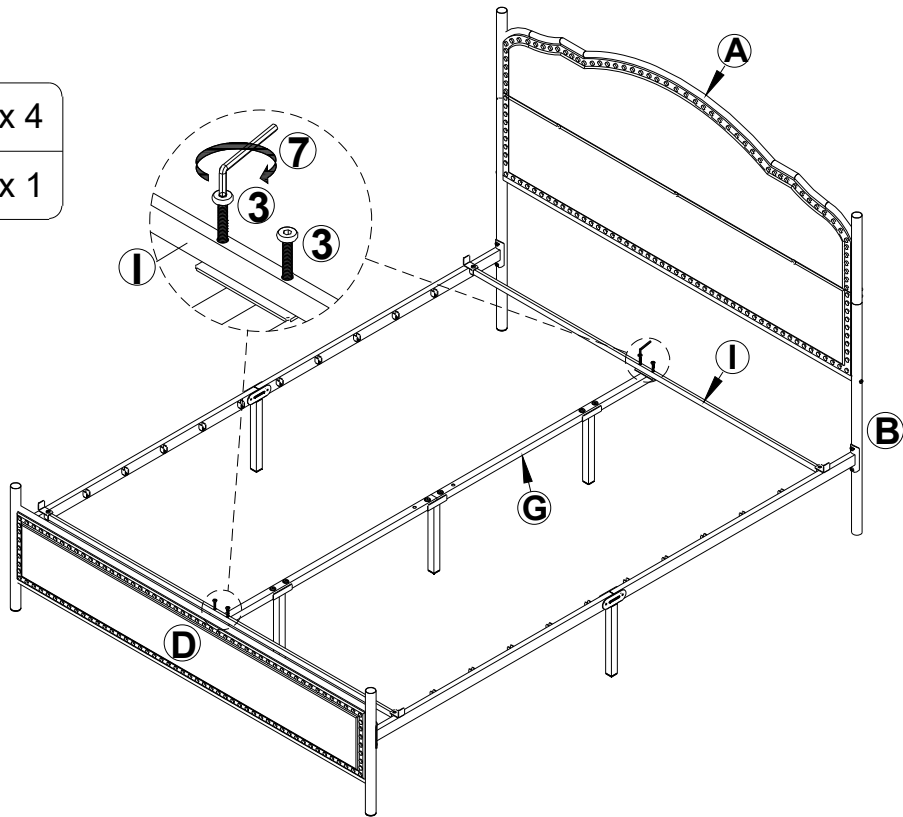
STEP 10

1		x 6
7		x 1






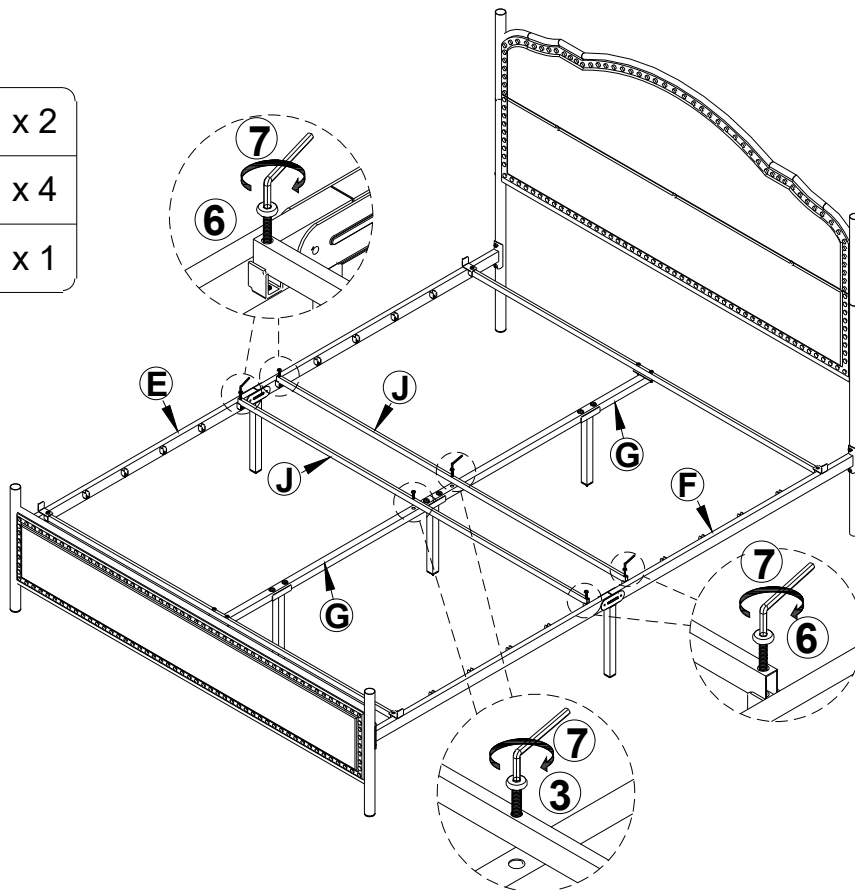
STEP 11

3		x 4
7		x 1

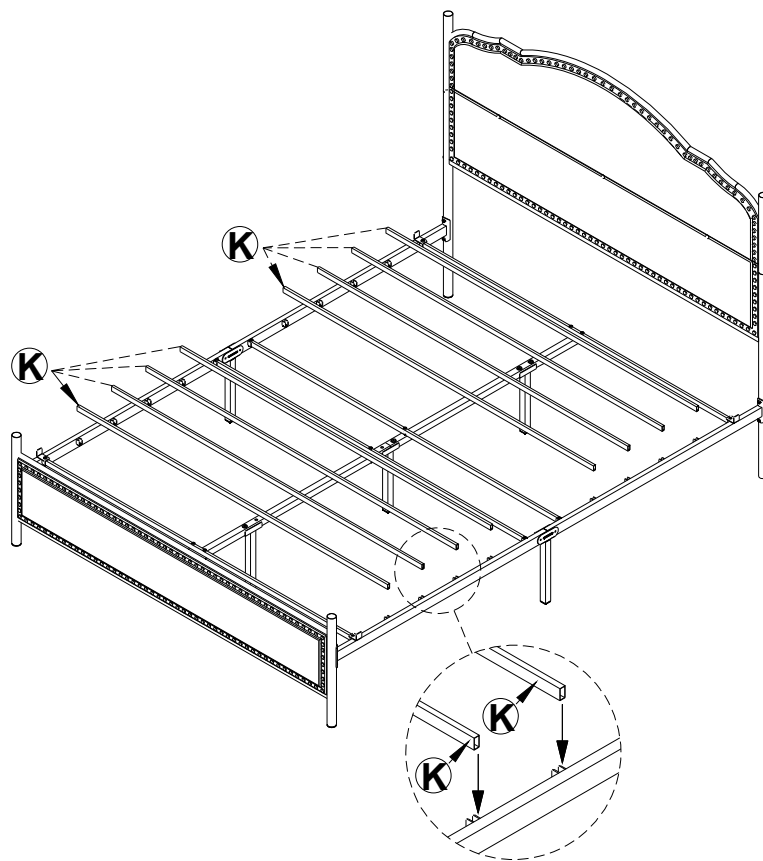


STEP 12

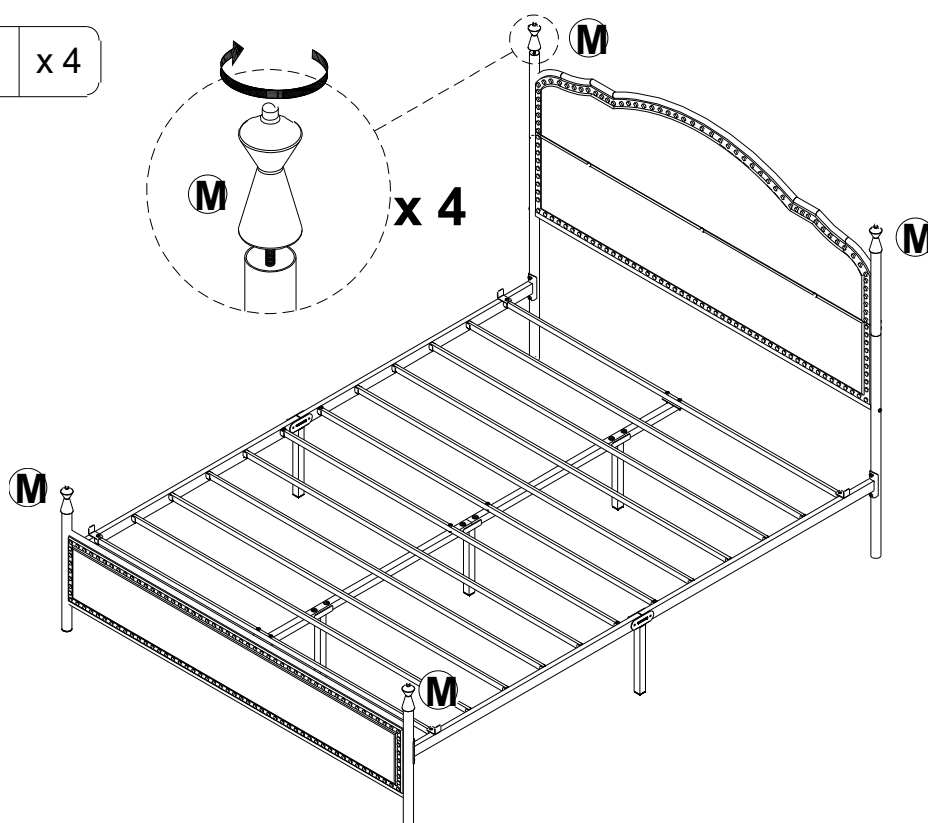
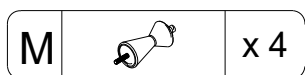
3		x 2
6		x 4
7		x 1



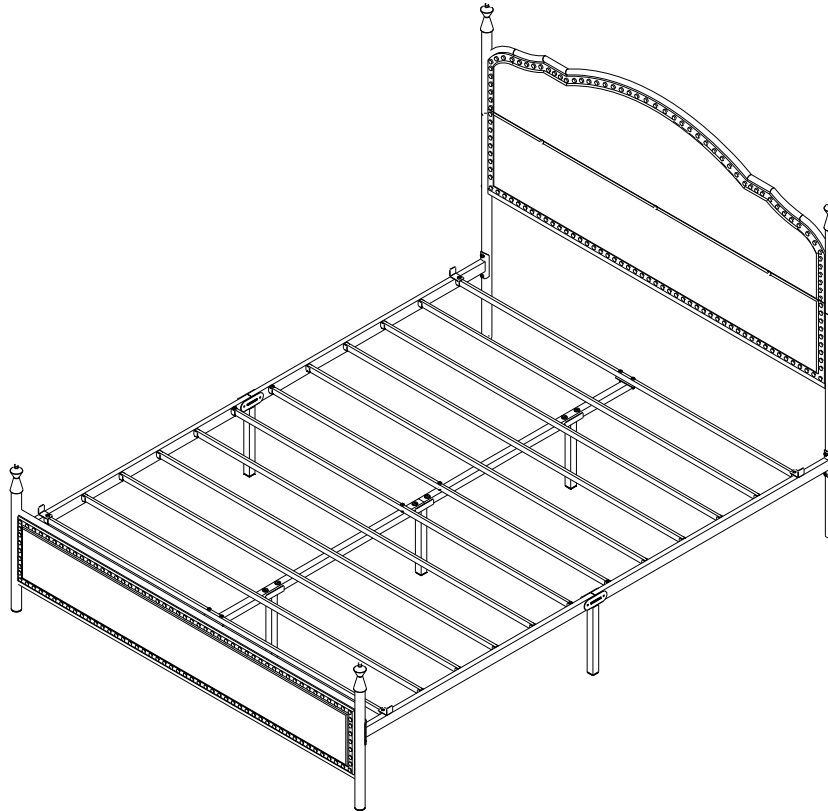
STEP 13



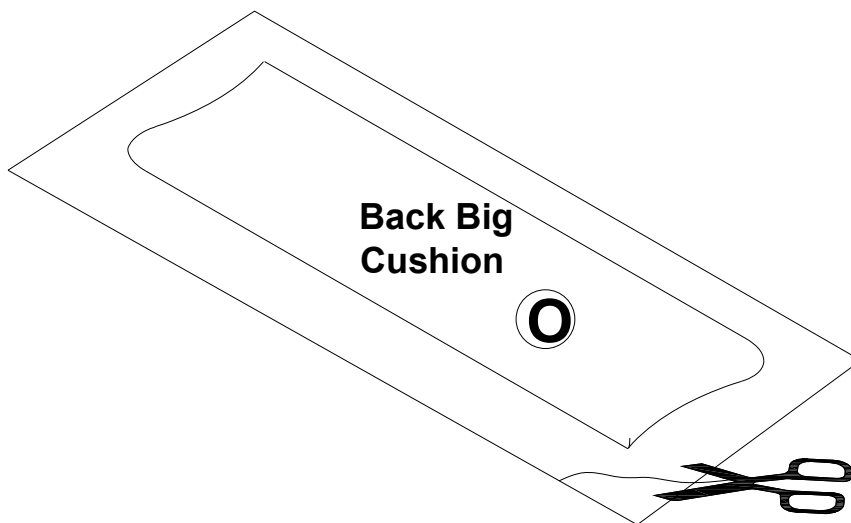
STEP 14



STEP 15

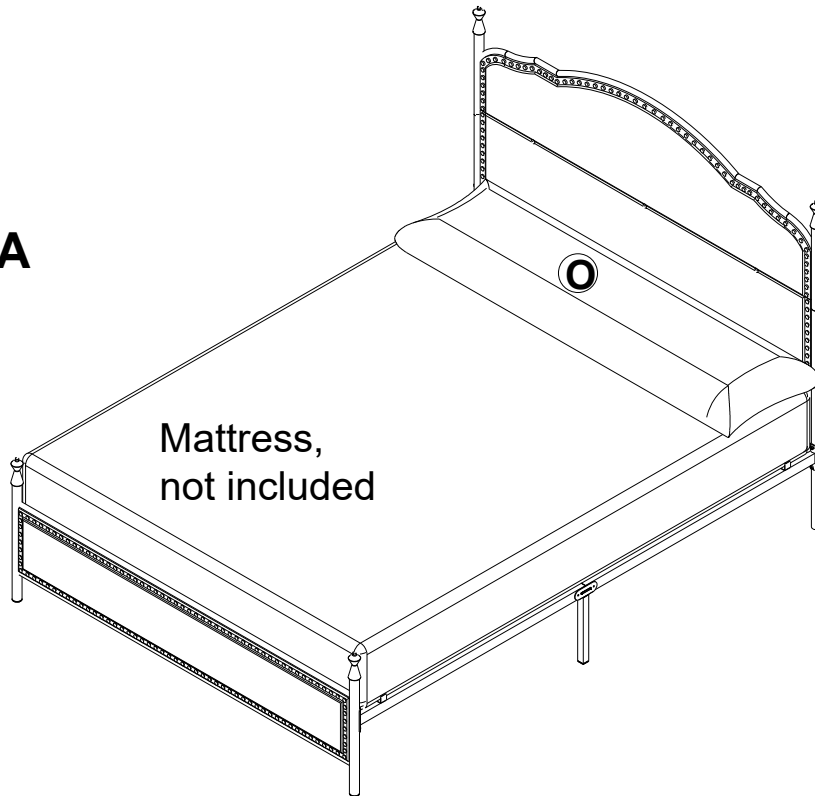


STEP 16



STEP 17

Option A



STEP 18

Option B

