

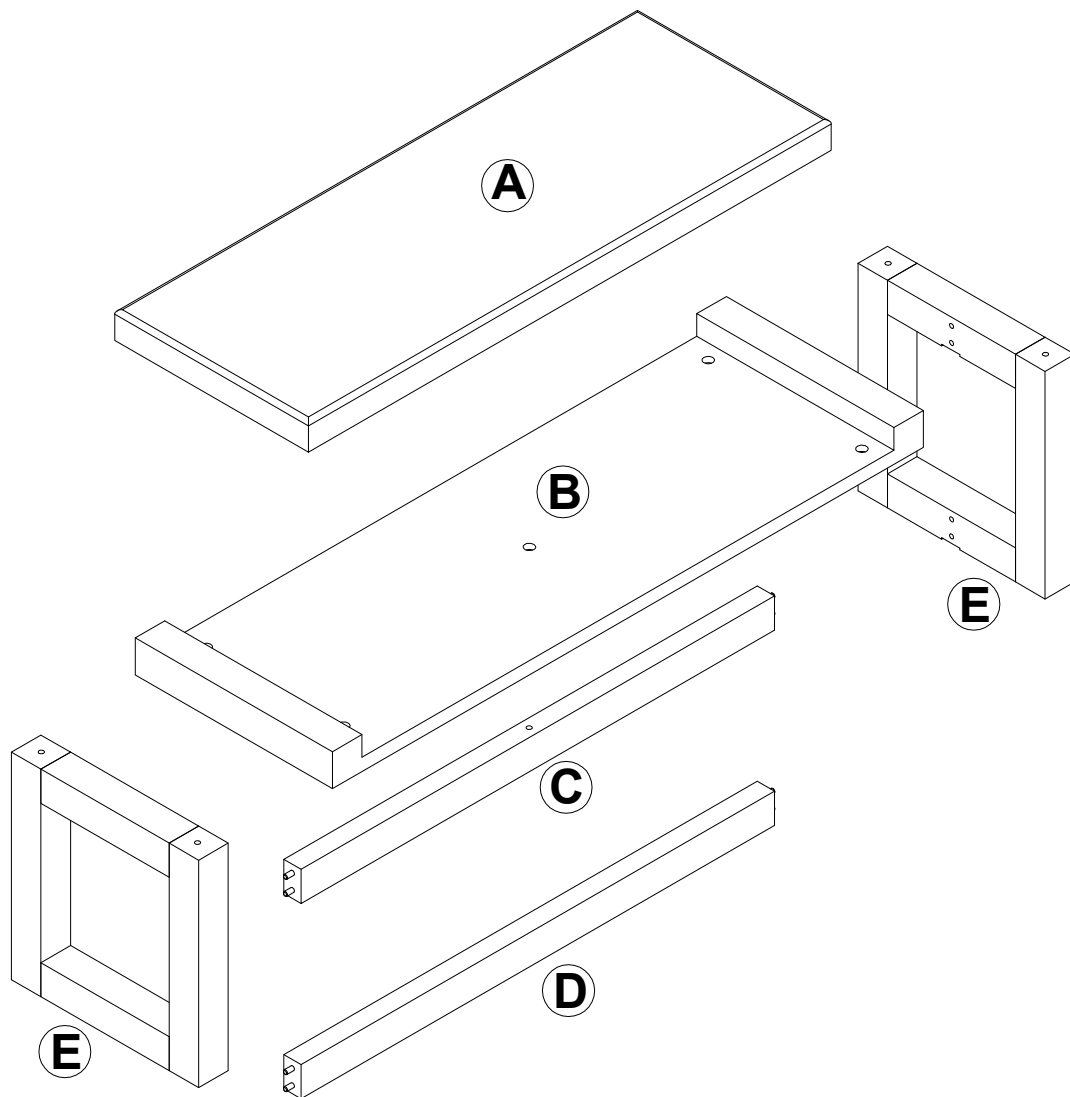
ITEM NO. Z6BEJY0474

Thank you for purchasing the Dining Bench.

Please read the instructions and warnings carefully before use, to ensure safe and satisfactory operation of this product. At HULALA home we are committed to making great products possible. From our in-house Design Team, to our Buyers, we work together to bring great designs to life. Our expert Product Technologists work collaboratively with our buyers and suppliers to assure the legality, safety and quality of the product we sell. We are all committed to designing and developing products to the highest industry standards. We hope you are happy with your product and welcome any feedback or comments you may have.

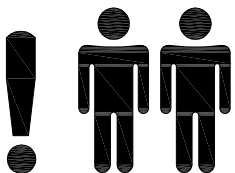
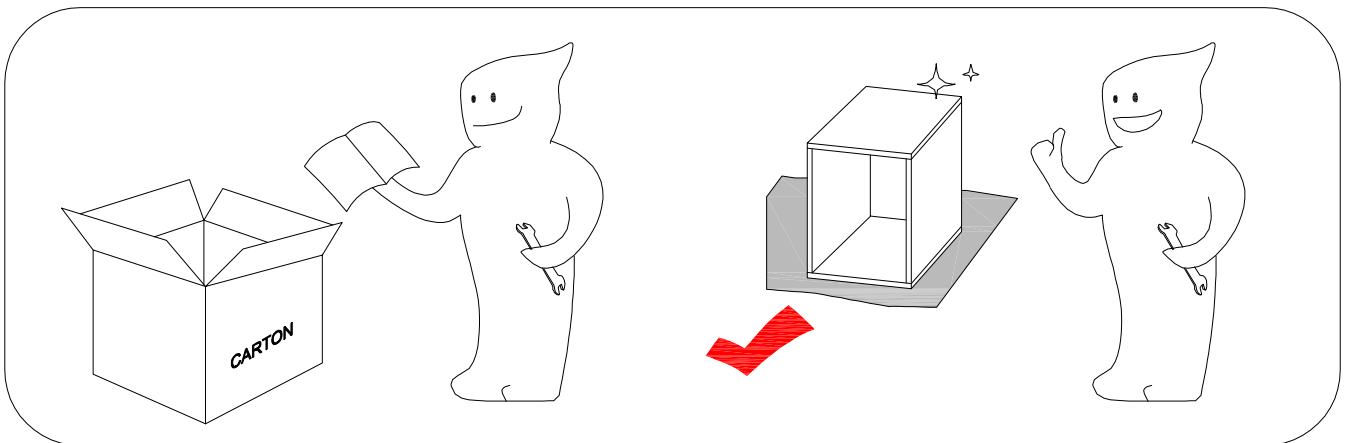
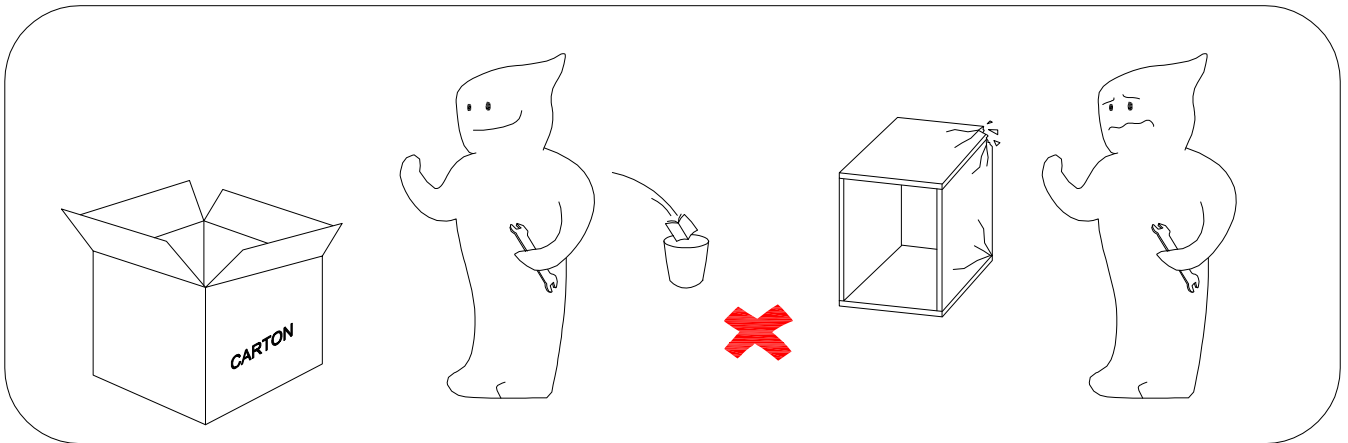
EXPLOSIVE VIEW

Z6BEJY0474 DINING BENCH

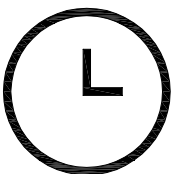


! IMPORTANT

Please follow the instruction manuals and use a pad to protect the product during your assembly.

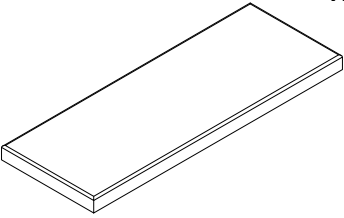
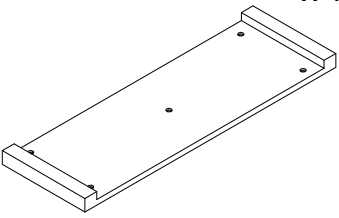
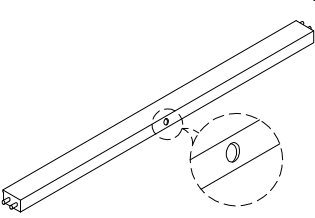
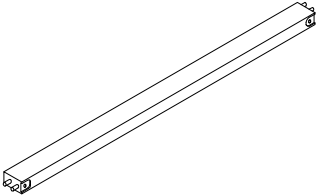
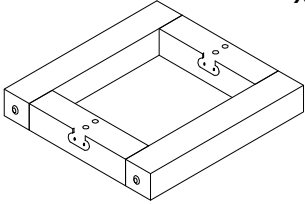


Recommend 2 adults for quicker assembly.

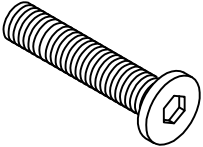
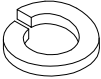
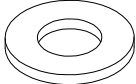

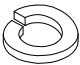
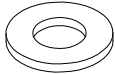
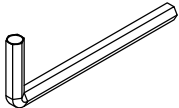
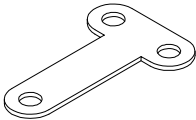


Take 2 adults about 20 minutes to finish assembly.

PARTS LIST

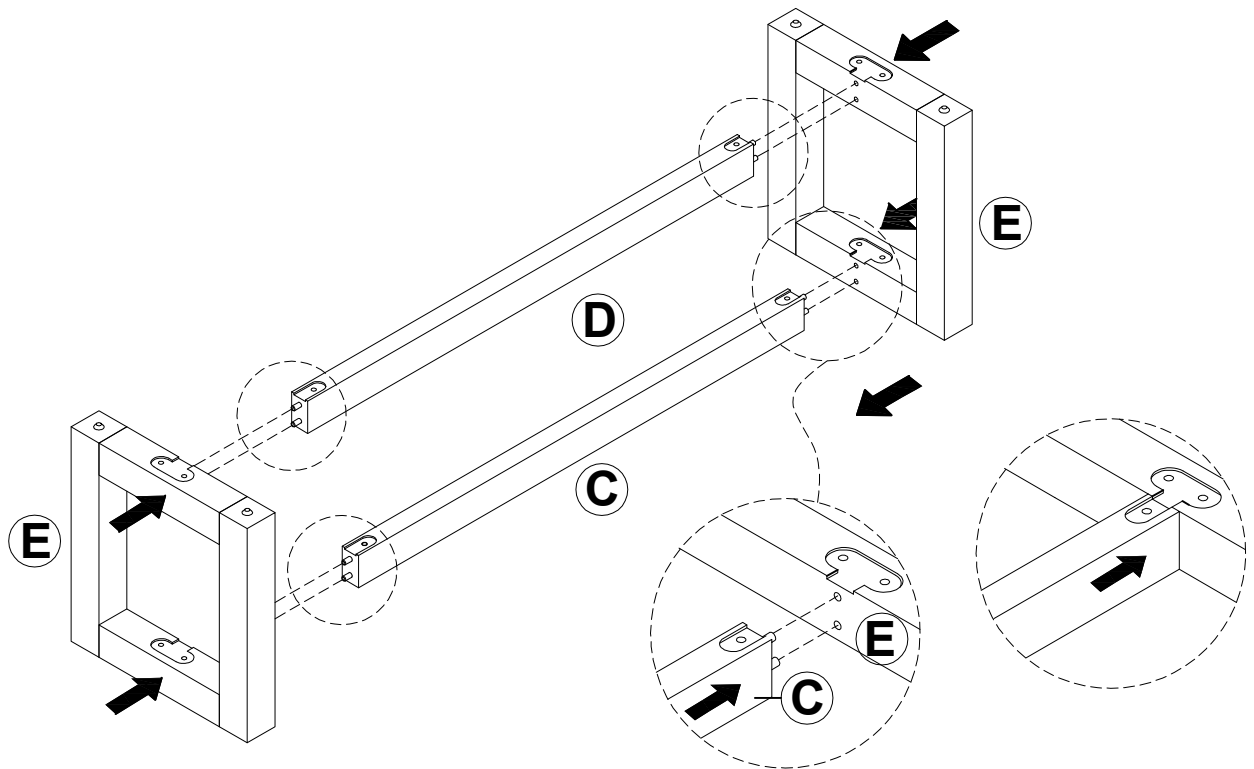
<p>A x 1</p>  <p>Seat Cushion</p>	<p>B x 1</p>  <p>Seat Top Panel</p>	<p>C x 1</p>  <p>Upper Connecting Rod</p>
<p>D x 1</p>  <p>Bottom Connecting Rod</p>	<p>E x 2</p>  <p>Side Frame</p>	

HARDWARE LIST

<p>1 x 5</p>  <p>Bolt Ø5/16 " * 1-1/2" L</p>	<p>2 x 5</p>  <p>Spring Washer 5/16</p>	<p>3 x 5</p>  <p>Flat Washer 5/16</p>
<p>4 x 12</p>  <p>Bolt Ø1/4 " * 3/4" L</p>	<p>5 x 12</p>  <p>Spring Washer 1/4</p>	<p>6 x 12</p>  <p>Flat Washer 1/4</p>
<p>7 x 1</p>  <p>Allen Wrench</p>	<p>8 x 4</p>  <p>Connector</p>	






Be sure to check all packing material carefully for small parts, which may have come loose inside the carton during shipment.

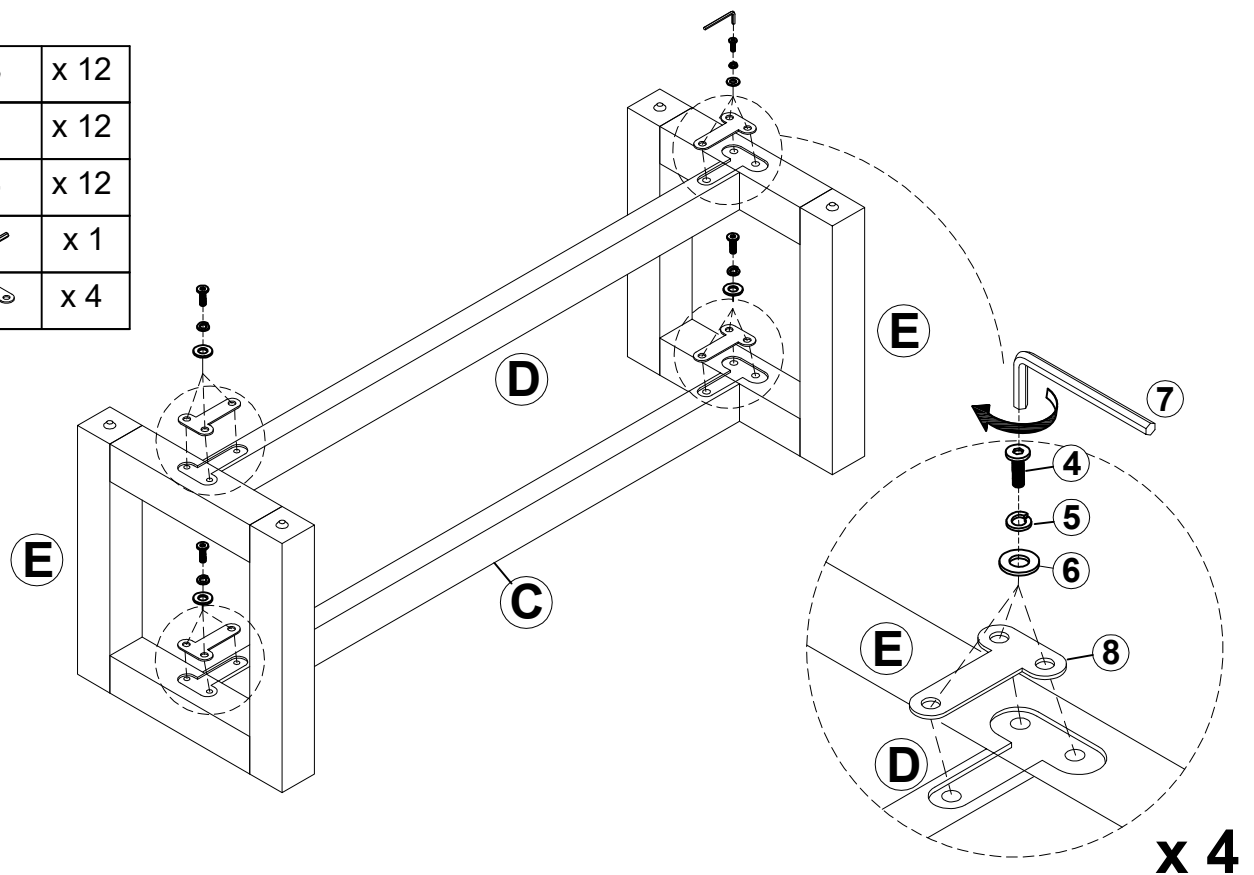
STEP 1



Insert the wooden dowels at both ends of bottom connection (C/D) into corresponding hole of side frame(E), make sure all holes aligned as shown.

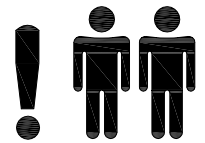
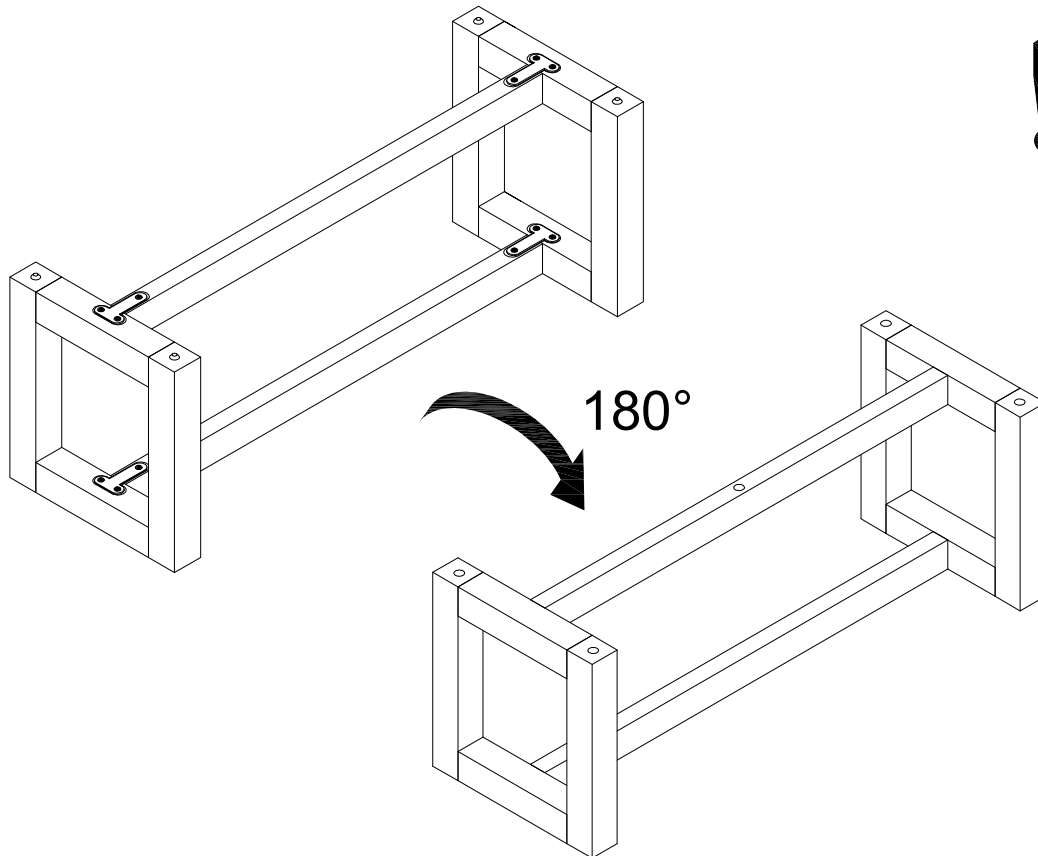
STEP 2

4		x 12
5		x 12
6		x 12
7		x 1
8		x 4



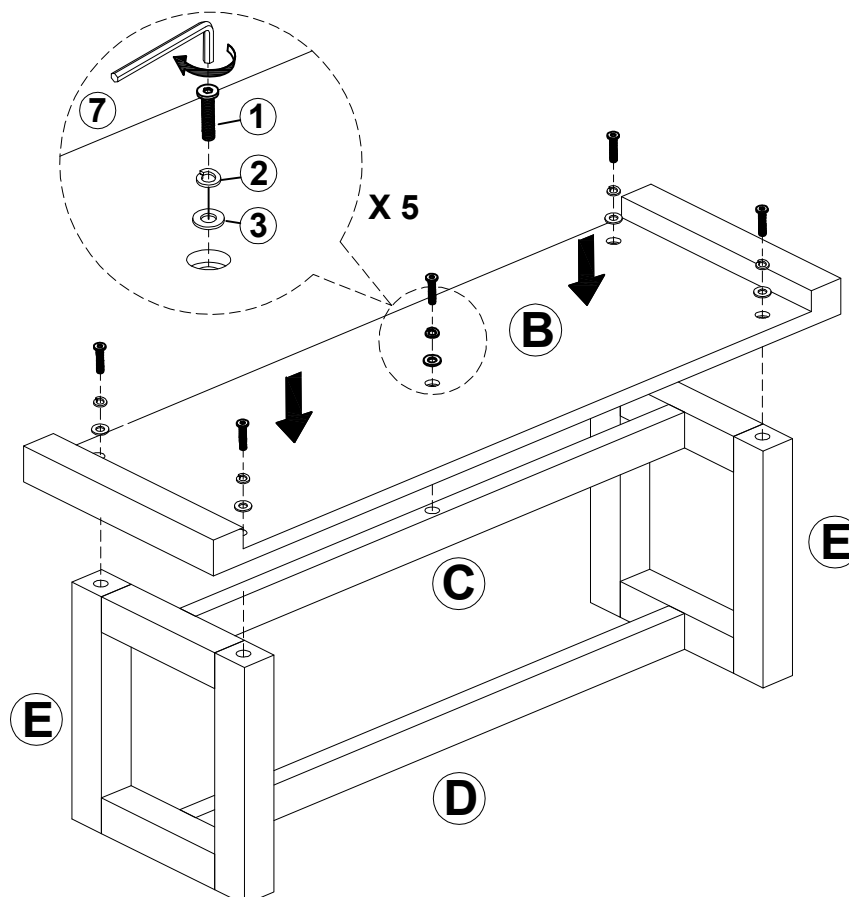
Use bolt (4) and spring washer(5),and flat washer(6)and connector (8) to align the holes in the side frame(E) and connecting rod (C & D) and tighten by Allen wrench (7).

STEP 3



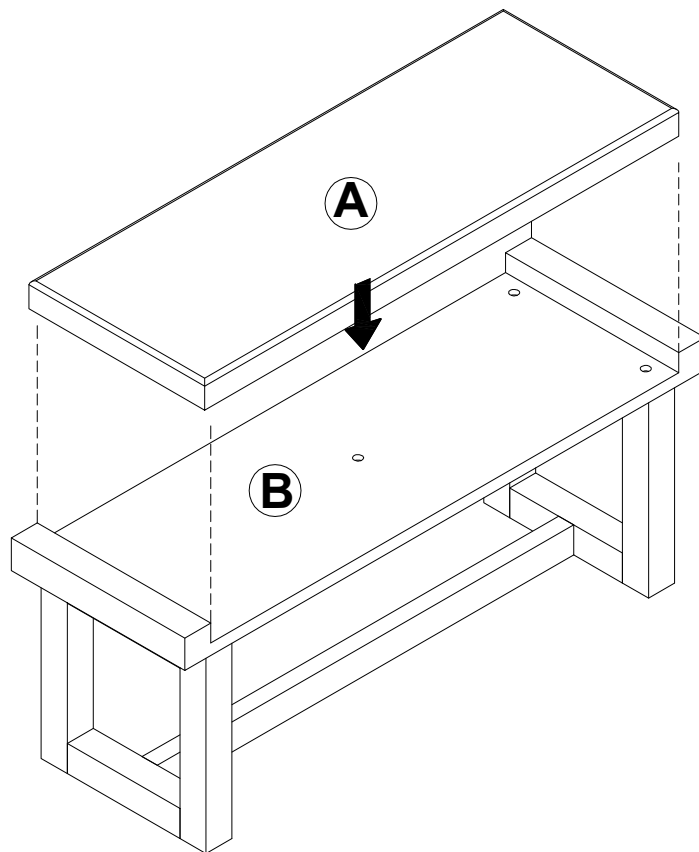
STEP 4

1		x 5
2		x 5
3		x 5



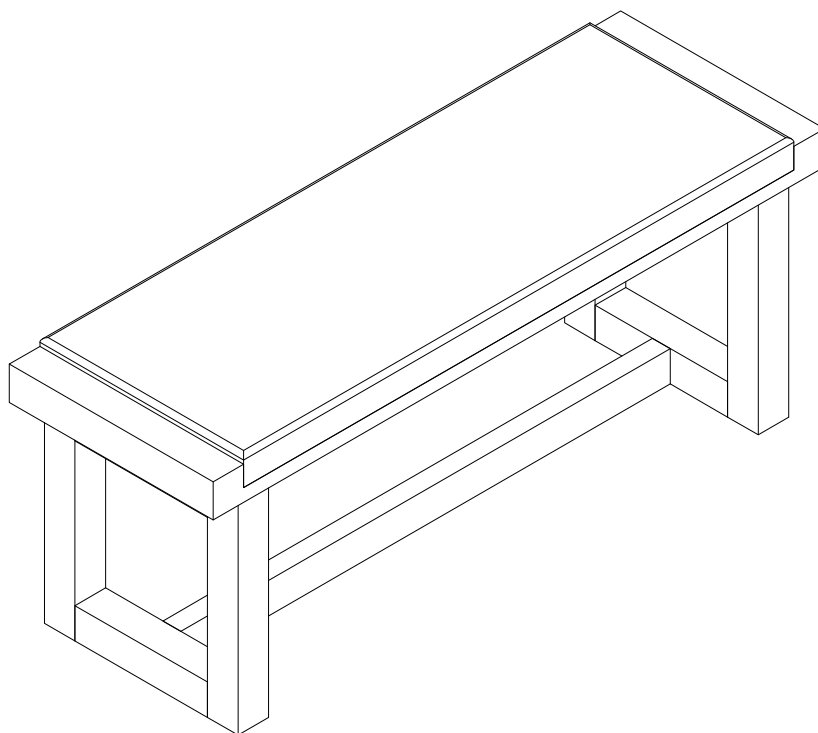
Attach the seat top panel (B) to the unit pre-assembled on step 3, align the seat top panel with the base holes, use bolt (1) and spring washer (2) and flat washer (3) to fix them together by Allen wrench (7).

STEP 5



Put the seat cushion (A) in the depression of the seat top panel (B).

STEP 6



Now your dining bench is ready for use.

MAINTENANCE AND WARNING

- Keep furniture away from heat.
- Do not clean furniture with harsh cleansers or polish. Do not use detergents, Solvents, abrasives, spray packs or leather cleaner. Use non-color mild soap with warm water clean spills(Mix 1:10 soap to water)
- Do not place furniture under direct sunlight, material will possibly fade over time.
- Do not use on site dry Cleaning machine.
- Children should not climb or jump on the furniture.
- Do not write on furniture without a padded barrier to protect the surface.
- Not for commercial use, For residential use only.
- The maximum load is 400LBS.

WARRANTY

We strive to offer high quality products, and we also try our best to satisfy each and every customer that orders from us with product or service as needed. We provide 30 days warranty starting from the time you receive the item. Each customer must provide a record of their order such as the order number, or item receipt for any items that are out of the warranty period you may also still receive replacement parts by purchasing them with our company if they are available.

Are you having difficulty with assembly? Missing parts? Please send email with your order No to customerservice@hulalahome.com

For return, please check the return policy with the retailer or market place you bought from. Appreciate your purchasing from us. Pop up your life by our furniture piece!