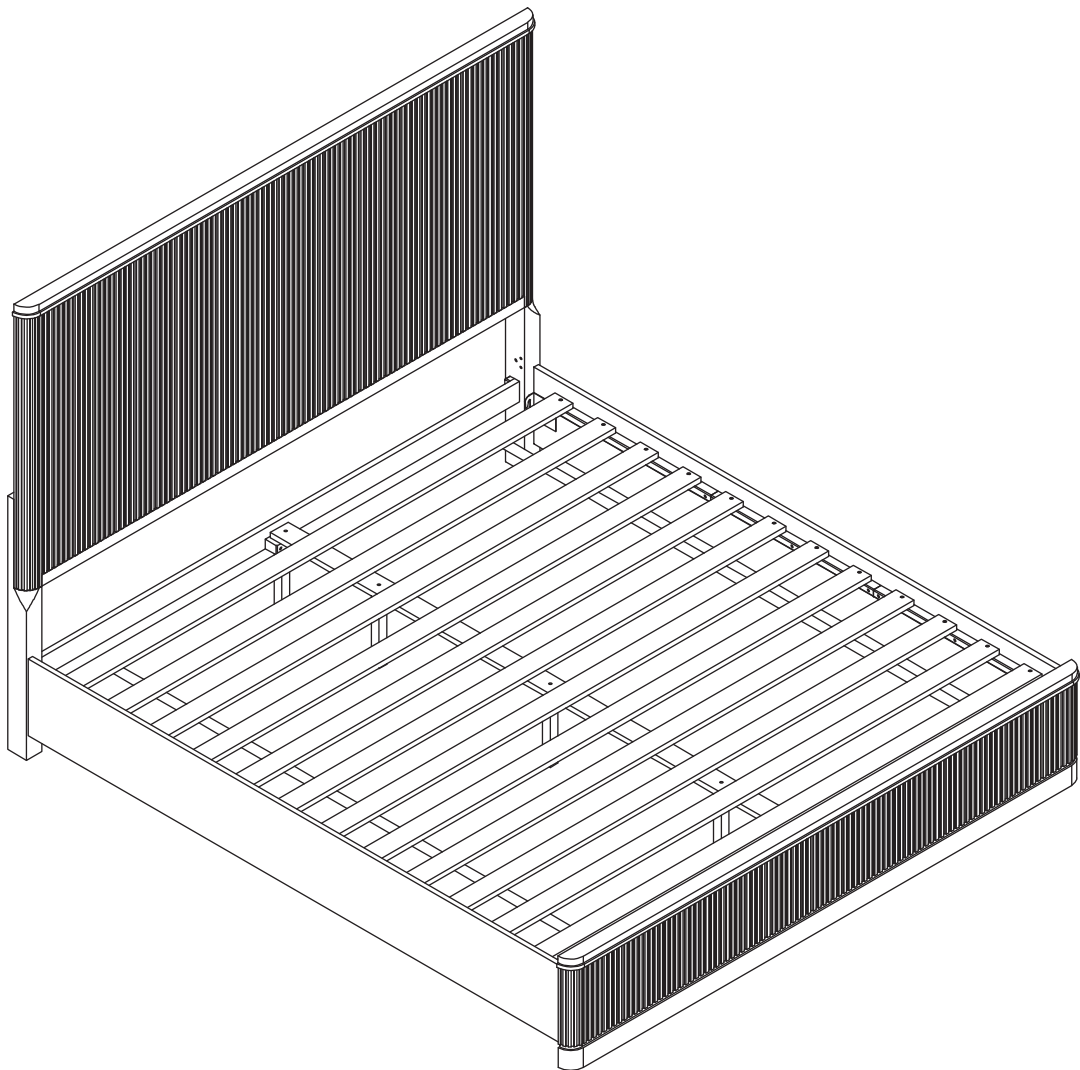


Adaptive Design, Effortless Living.

HULALA[®]

HOME



ITEM NO. BDGG1447-KB

Scan for manual,
video & advice.



Adaptive Design, Effortless Living.



If you have any questions or concerns,
don't hesitate to reach out to us.

Call us: +1(833)324-2464 (8 AM to 5 PM PST Monday-Friday)

Email: customerservice@hulalahome.com

MAINTENANCE AND WARNINGS

Thank You For Choosing Our Furniture.

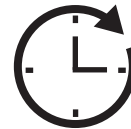
Please read the instructions and warnings carefully before use, to ensure safe and satisfactory operation of this product.

NOTE :

This brochure contains IMPORTANT safety info. Please read and keep it for future reference.



Weight Limitation
700 LBS



Installation:
40 minutes.







Two Person



Before You Start

Please follow the steps below:

-  Unbox the package and check if all parts and accessories are complete.
-  If you find something missing, stop assembly and contact your supplier immediately.
-  Please do not completely tighten all the hardware until the entire assembly is completed! Be sure to tighten all the hardware once the assembly completed.
-  NOTE: Should be assembled on soft surface to keep balance.

After-Sales Service

- If you encounter any issues or need technical support during use, please contact our after-sales team. We offer long-term maintenance and warranty services.



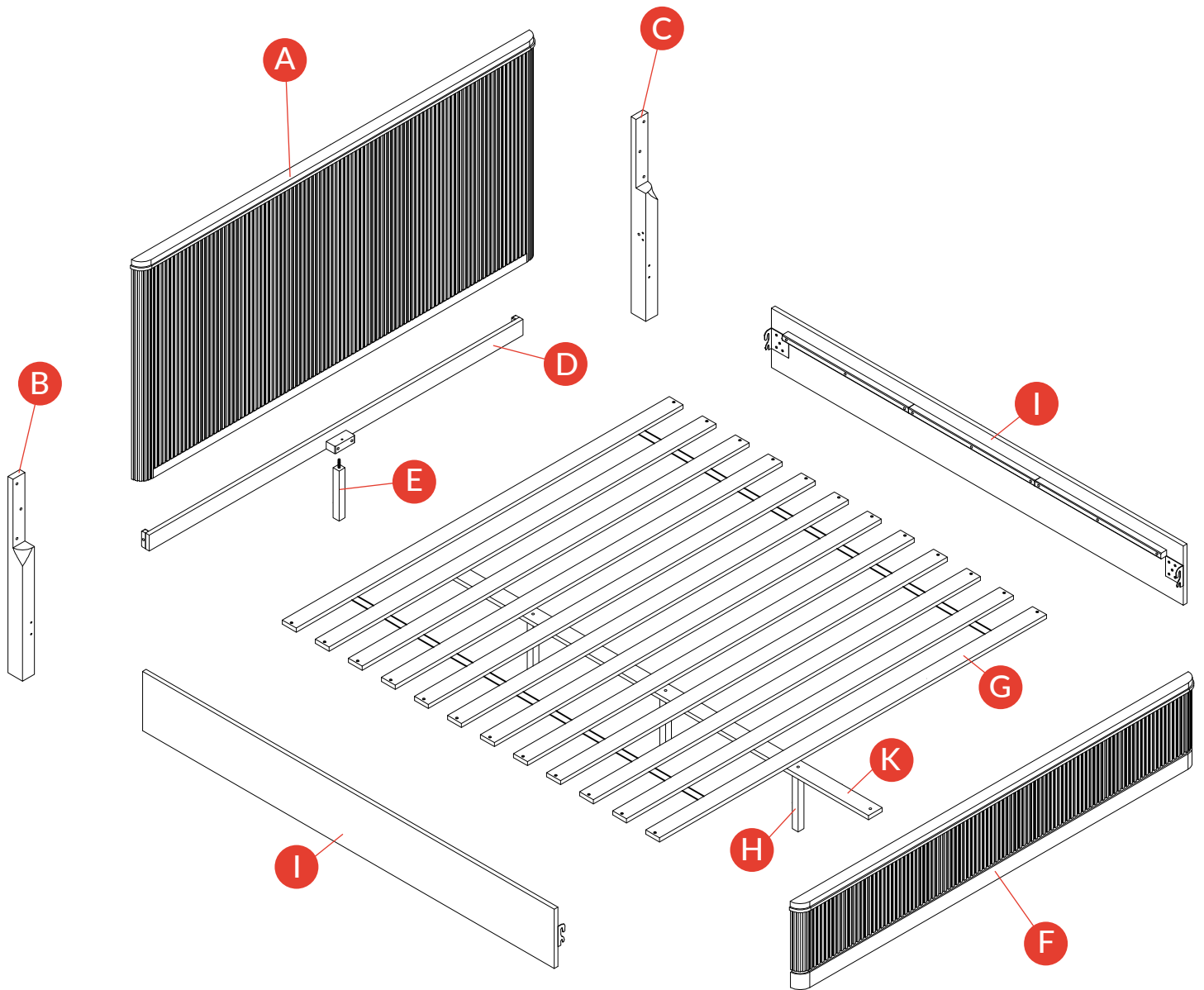
Warranty

- ⚠️ We strive to offer high , quality products, and we also try our best to satisfy each and every customer that orders from us with product or service as needed. Each customer must provide a record of their order such as the order number, or item receipt for any items that are out of the warranty period you may also still receive replacement parts by purchasing them with our company if they are available.
- ⚠️ Are you having difficulty with assembly? Missing parts? Please send email with your order number to customerservice@hulalahome.com
- ⚠️ For return, please check the return policy with the retailer or market place you bought from. Appreciate your purchasing from us. Pop up your life by our furniture piece!

Daily Maintenance

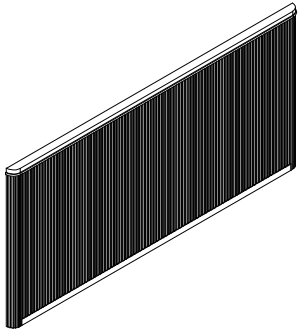
- Keep furniture away from heat.
- Do not use cleaning agents containing acids, alkalis, or corrosive substances, as they may damage the surface. It is recommended to use neutral cleaning agents or specialized furniture cleaners.
- Do not place furniture under direct sunlight, material will possibly fade over time.
- Do not use on site dry cleaning machine.
- Children should not climb or jump on the furniture.
- Do not write on furniture without a padded barrier to protect the surface.
- Not for commercial use, for residential use only.

Exploded View

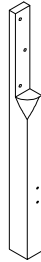


Parts List (Box A)

A × 1



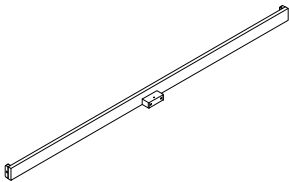
B × 1



C × 1

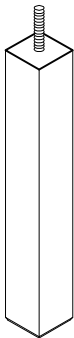


D × 1

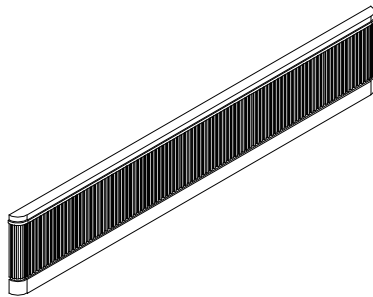


Parts List (Box B)

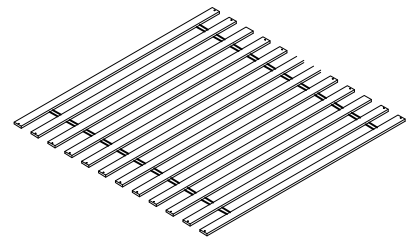
E × 1



F × 1



G × 1

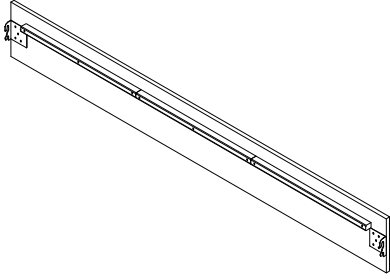


H × 3

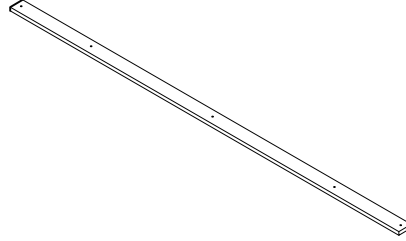


Parts List (Box C)

I × 2

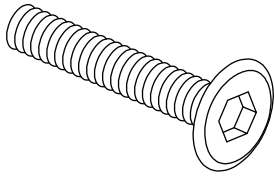


K × 1



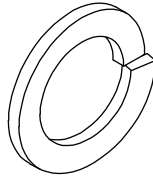
Hardware List (Box A)

1 x 8+1



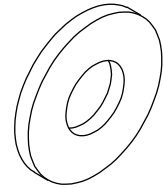
Ø5/16"

2 x 8+1



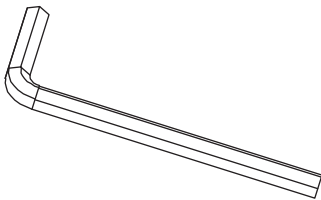
Spring Washer

3 x 8+1



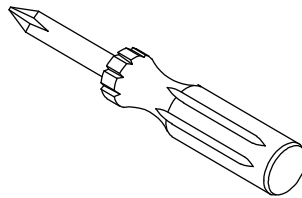
Flat Washer

8 x 1



Allen Key

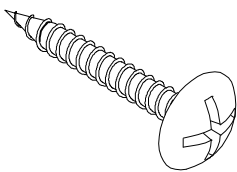
9 x 1



Screwdriver

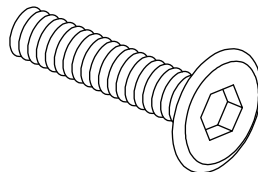
Hardware List (Box C)

4 x 24+1



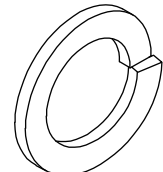
Ø1/6"

5 x 5+1



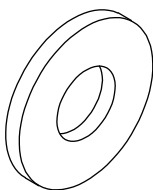
Ø1/4

6 x 5+1



Spring Washer

7 x 5+1







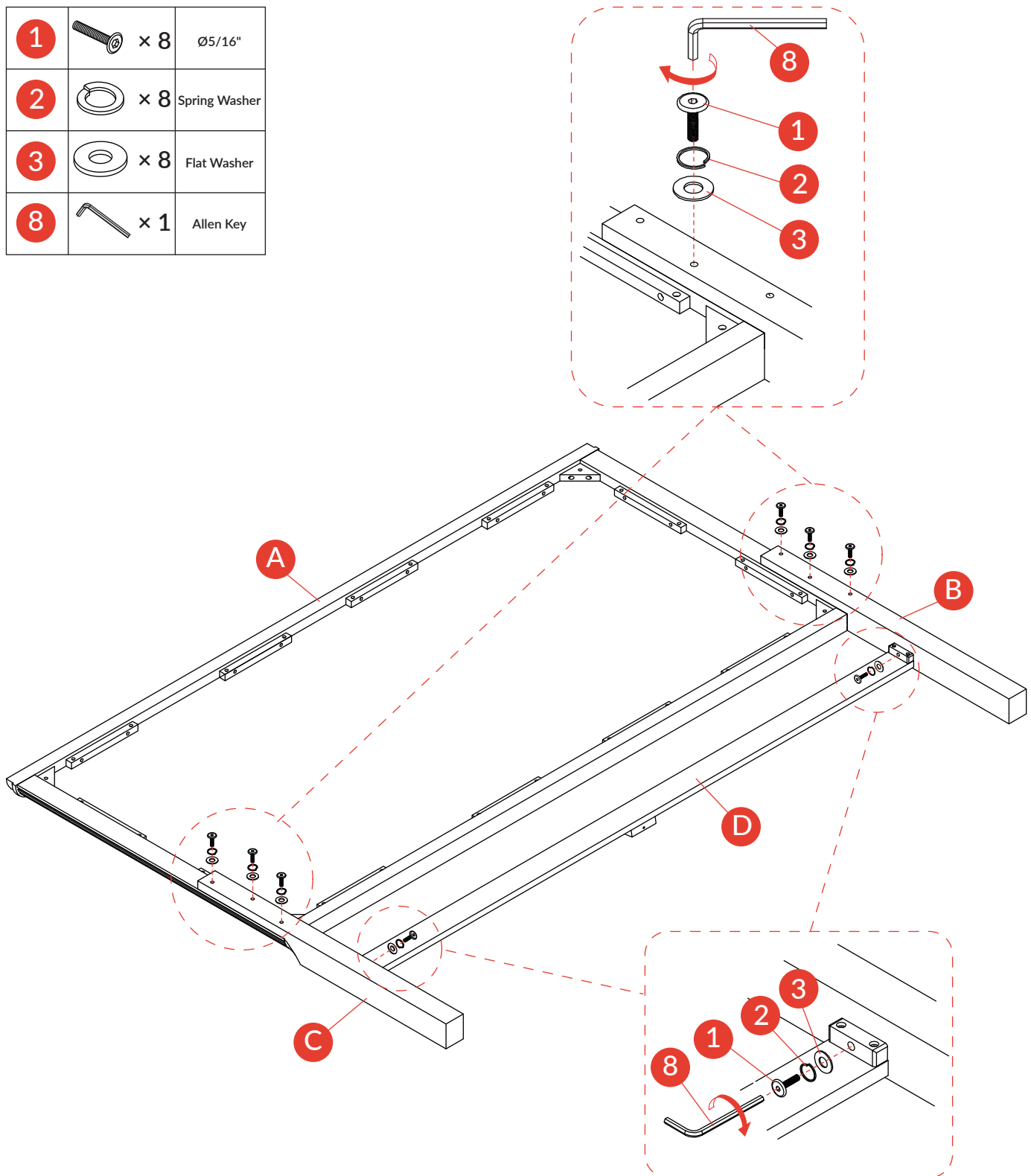
Flat Washer

ASSEMBLY INSTRUCTIONS

Step 1

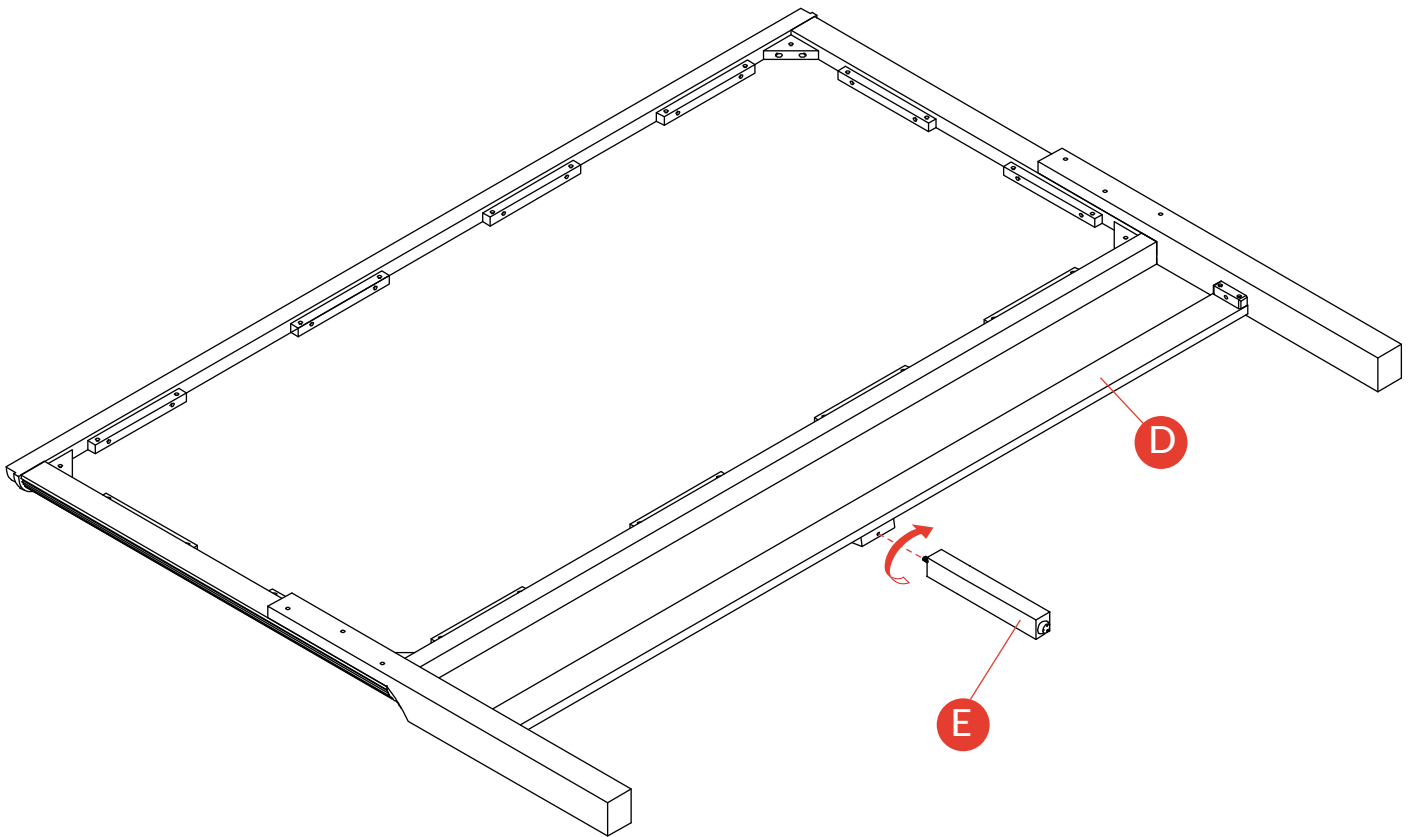
Align Headboard legs B/C to the Headboard Panel A and Stretcher D, then secure them by using Bolts ① with Washers ② ③, and tighten with an Allen key ⑧.

①	 × 8	Ø5/16"
②	 × 8	Spring Washer
③	 × 8	Flat Washer
⑧	 × 1	Allen Key




Step 2

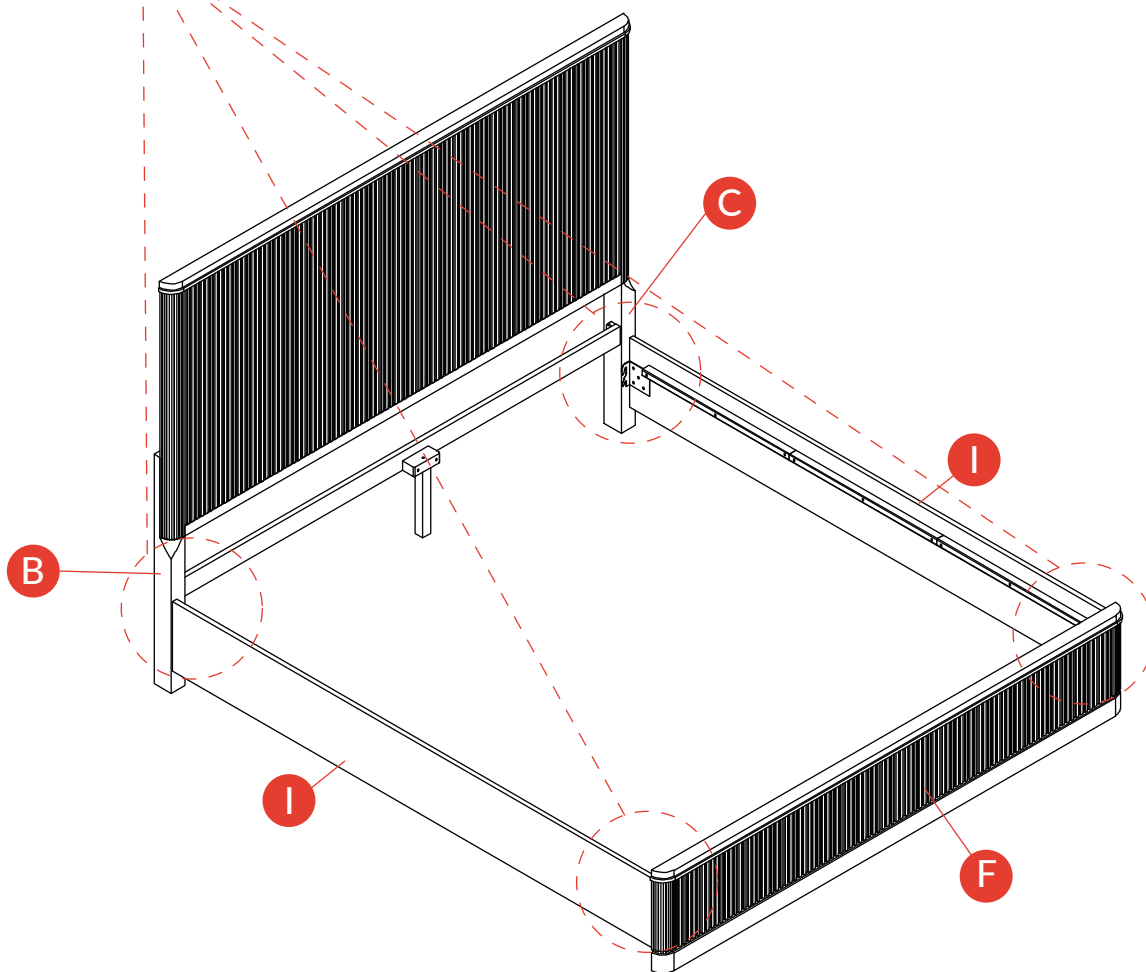
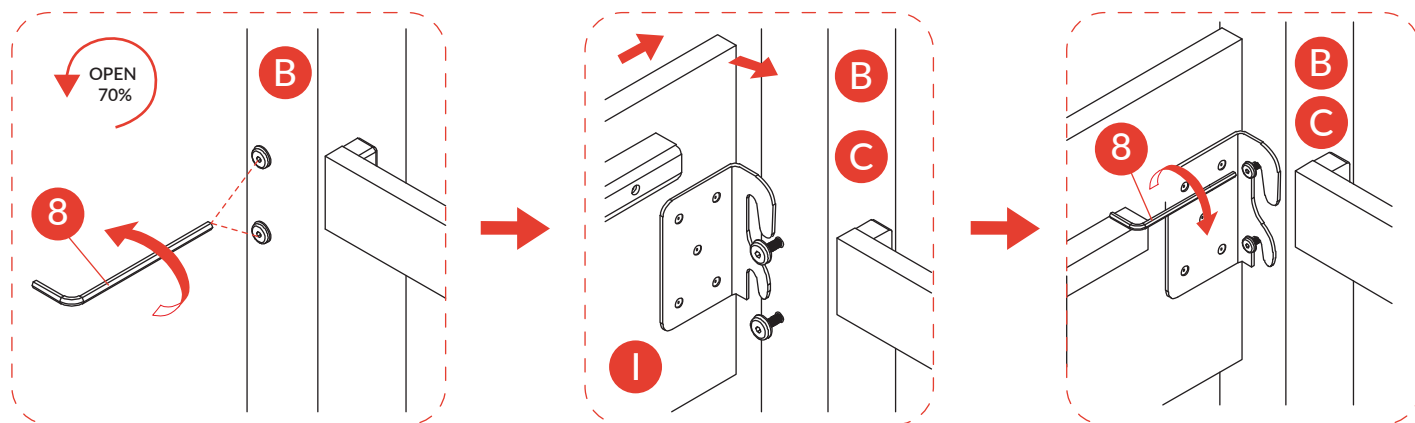
Align Short Support Leg E to the Stretcher D .



Step 3

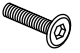



Loosen the bolts on the Headboard Leg B/C and Footboard F. Then, attach the Side Rails I to the headboard and footboard. Tighten the bolts to secure the side rails to the headboard and footboard.

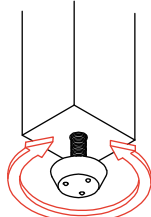
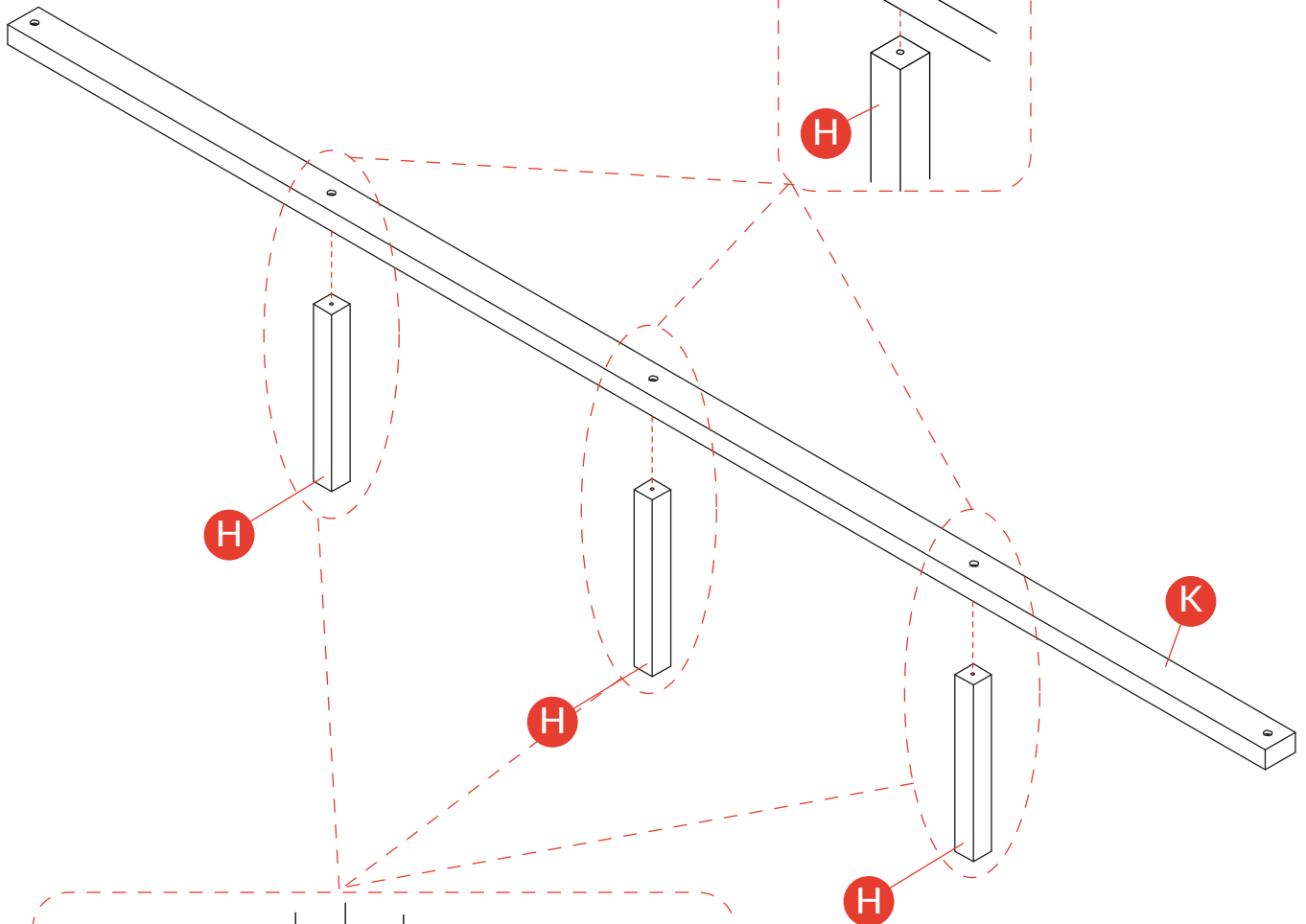
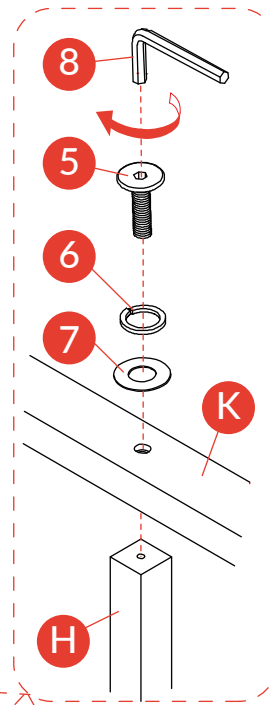
8		× 1	Allen key
---	---	-----	-----------



Step 4

Align Long Support Leg H to the Support bar K, then secure it by using Bolts ⑤ with Washers ⑥⑦, and tighten with an Allen key ⑧.




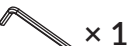
⑤	 × 3	Ø1/4
⑥	 × 3	Spring Washer
⑦	 × 3	Flat Washer
⑧	 × 1	Allen Key

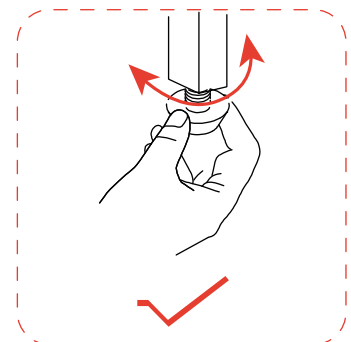
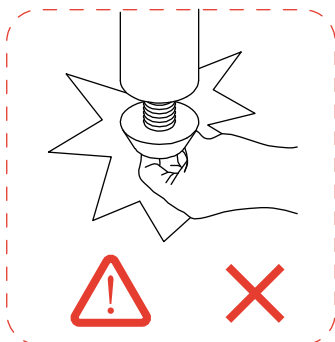
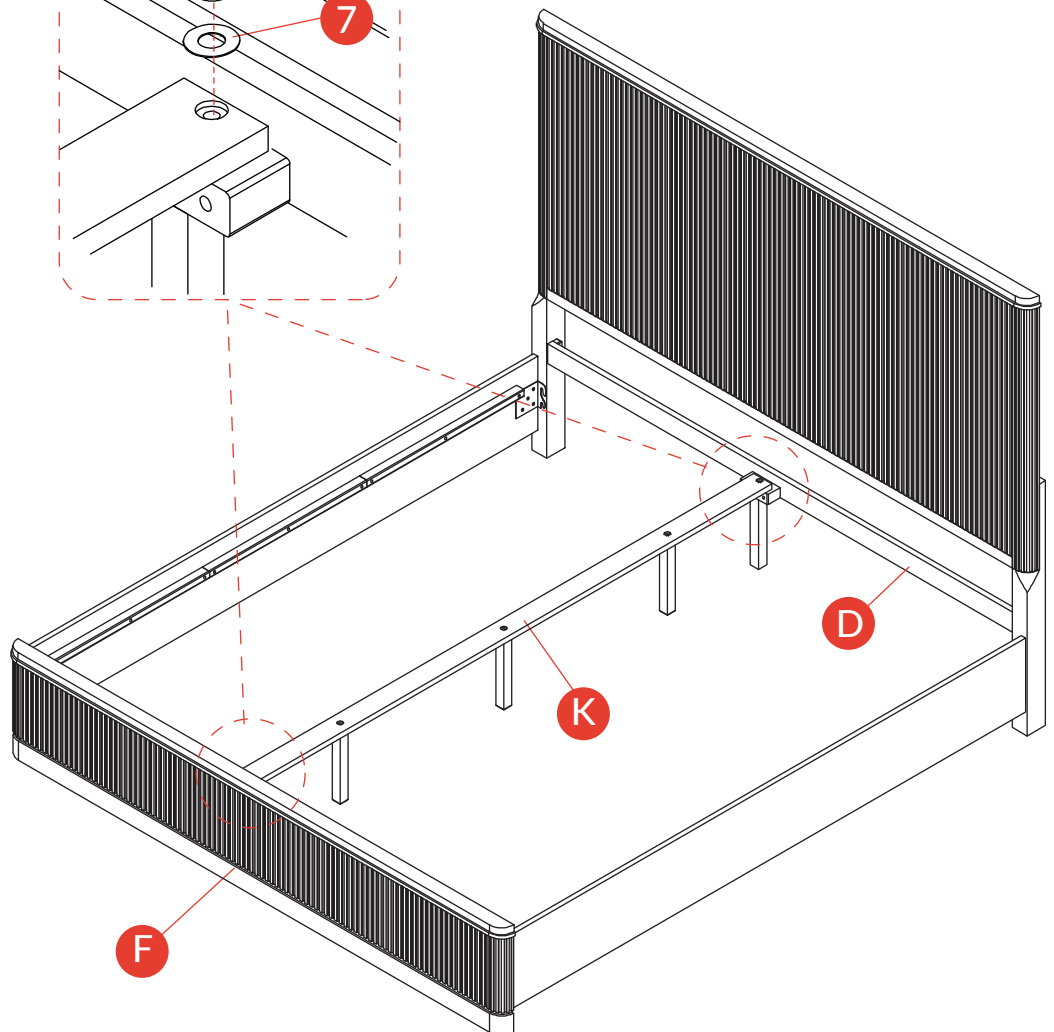
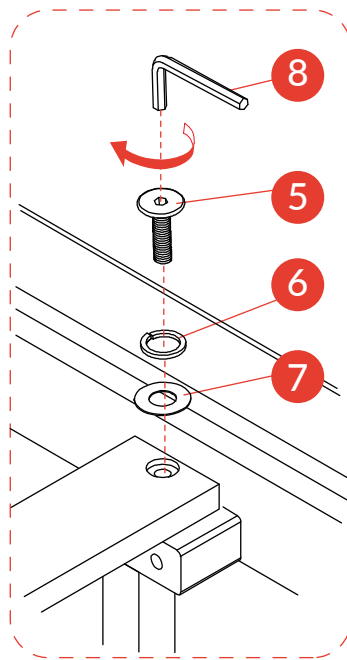


Adjust the feet to 0.2 inches off the ground.

Step 5



Align Support bar K to Stretcher D and Footboard F, then secure it by using Bolts ⑤ with Washers ⑥, and tighten with an Allen key ⑧.

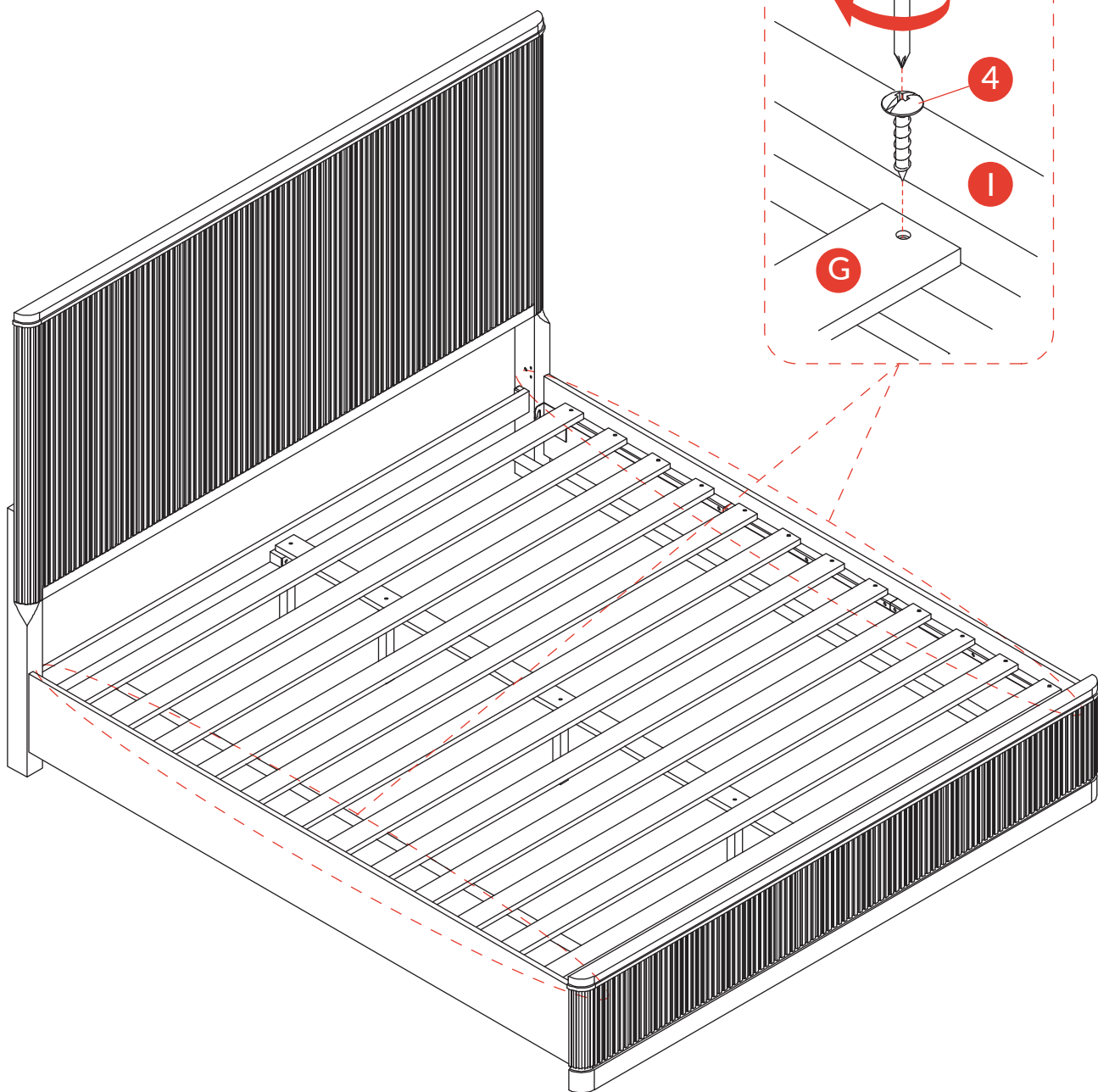
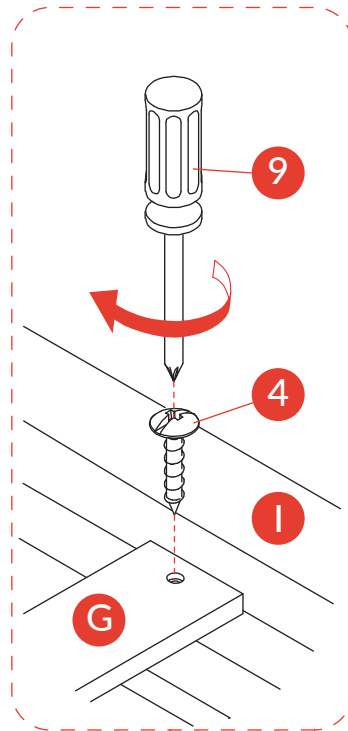
⑤	 × 2	Ø1/4
⑥	 × 2	Spring Washer
⑦	 × 2	Flat Washer
⑧	 × 1	Allen Key



Step 6

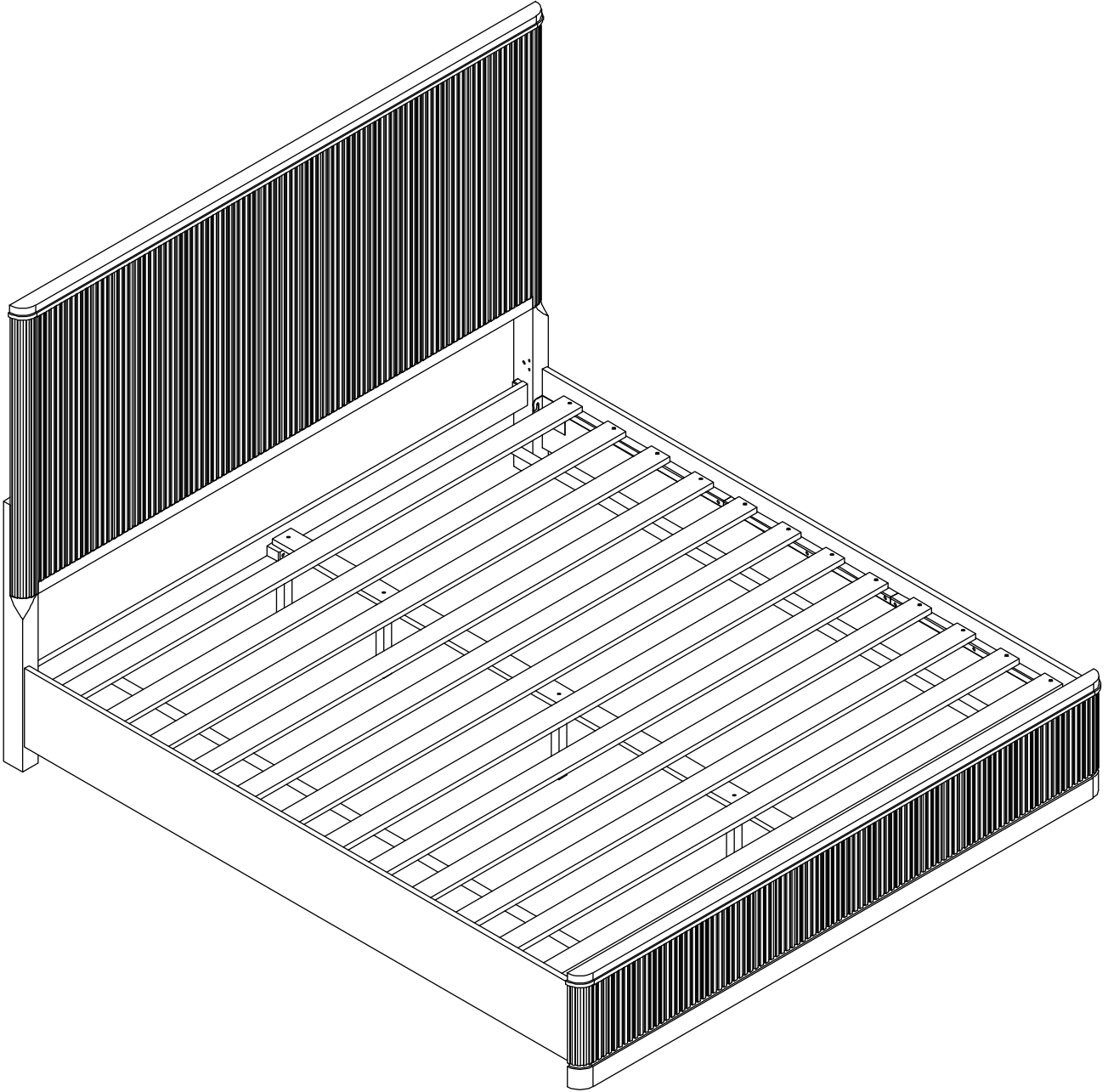
Align Slat Roll G to left Side panel I and right Side panel I , then secure by using Screw ④ and tighten with a screwdriver ⑨.

④	 × 24	Ø1/6"
⑨	 × 1	Screwdriver



Step 7

Complete.



Adaptive Design, Effortless Living.

HULALA®
HOME

WWW.HULALAHOME.COM

Email: customerservice@hulalahome.com

Call us: +1(833)324-2464 (8 AM to 5 PM PST Monday-Friday)