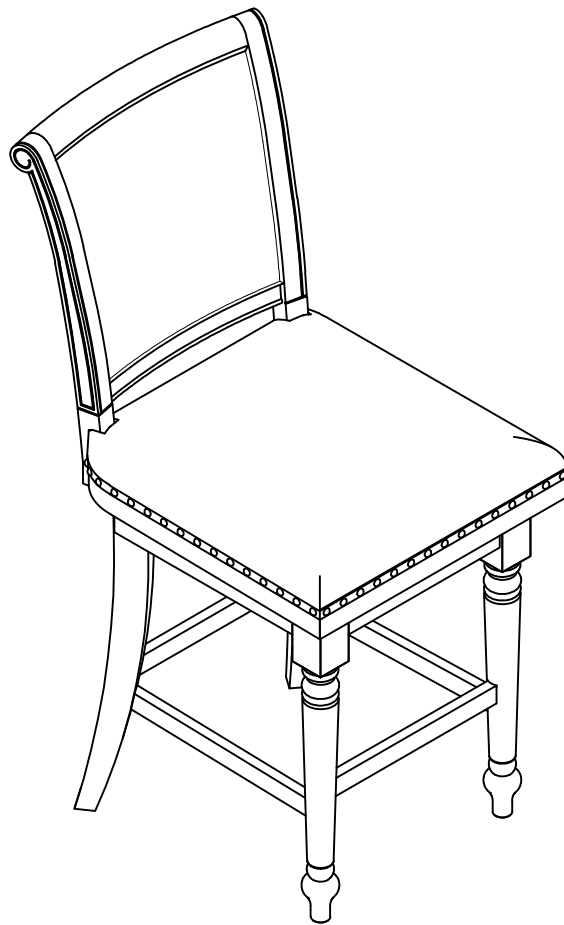


HULALA

H O M E



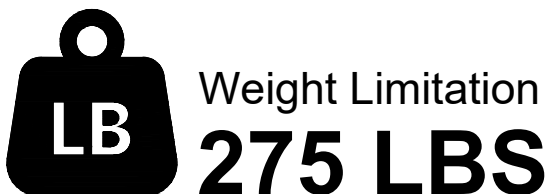
ITEM NO.BSLF1147-NAT/BSLF1147-WAL

NOTE:

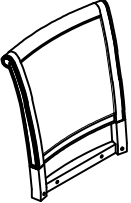
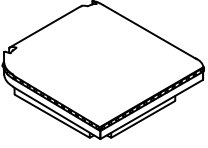
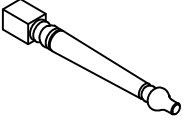
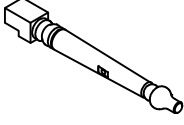
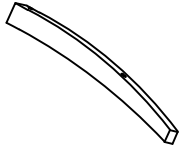
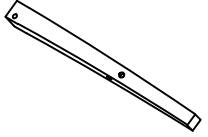


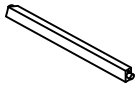

This brochure contains IMPORTANT safty info. Please read and keep for future reference.

MAINTAINANCE AND WARNING


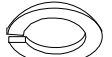
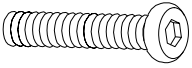
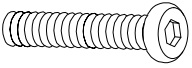

- 1.Keep furniture away from heat sources.
- 2.Do not clean furniture with harsh cleaner or polishes.Do not use detergents,solvents,abrasives,spray packs or leather cleaner. Use non-color mild soa with warm water to clean spills(Mix 1:10 soap to water).
- 3.Do not place furniture under direct sunlight,material will possibly fade over time.
- 4.Do not use on site dry cleaning machine.Children should not climb or jump on the furniture.
- 5.Do not write on furniture that is not protectedby a padded barrier.
- 6.Not for commercial use,only for residential use.




PARTS LIST

A	x1	B	x1	C	x1	D	x1	E	x1
									
F	x1	G	x1	H	x1	I	x1	J	x1
									


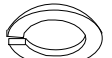
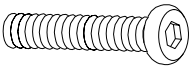

HARDWARE LIST

#1	x8	#2	x8	#3	x6	#4	x2	#5	x8
									
Ø5/16x20mm		Ø5/16x13mm		Ø5/16 x 2"		Ø5/16x2-5/8"		#4 x1-1/2"	

TOOL LIST

#6	x1
	
M4	

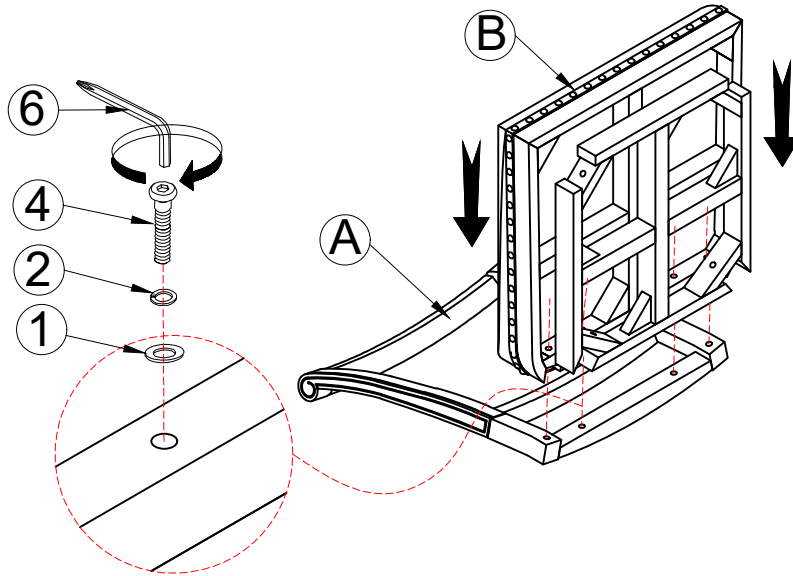
HARDWARE SPARE LIST

#1	x1	#2	x1	#3	x1	#5	x1
							
Ø5/16x20mm		Ø5/16x13mm		Ø5/16 x 2"		#4 x1-1/2"	

ASSEMBLY INSTRUCTIONS

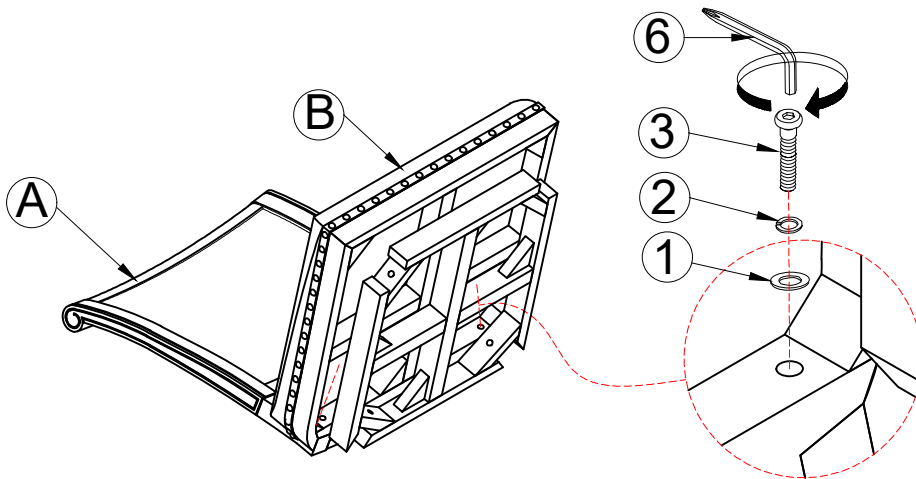
STEP- 1




Place the chair back (A) on a clean, soft surface. Attach seat frame (B) on the chair back (A) by using Flat washer (1), Lock Washer (2), Bolt (4) with Allen Key (6) .(Don't tighten bolt until at step 7).





STEP- 2

Connect seat frame (B) to the chair back (A) by using Flat washer (1), Lock Washer (2), Bolt (3) with Allen Key (6) .(Don't tighten bolt until at step 7).



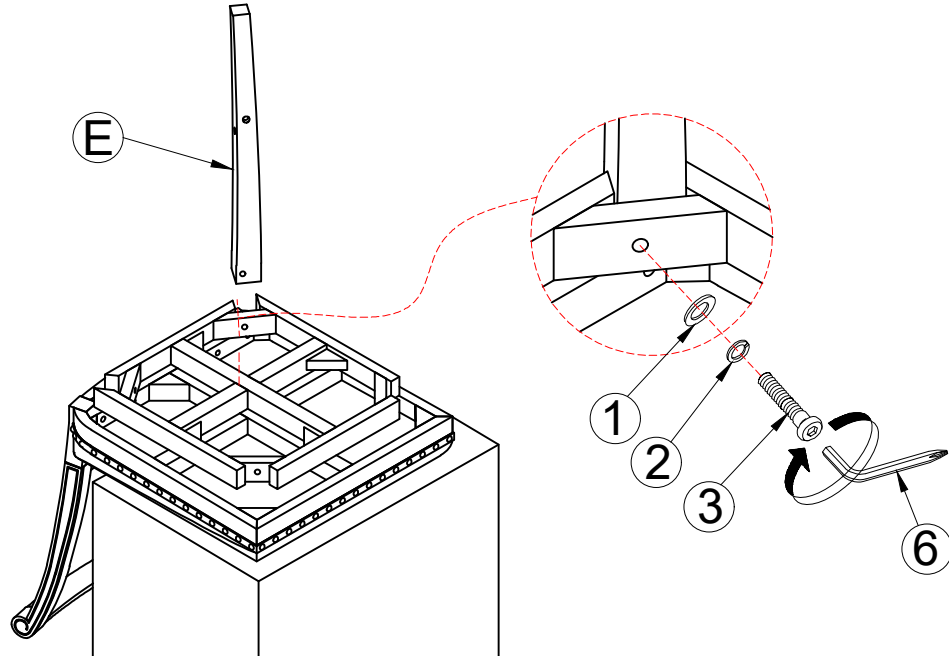
1		x4
2		x4
3		x2

4		x2
6		x1

ASSEMBLY INSTRUCTIONS

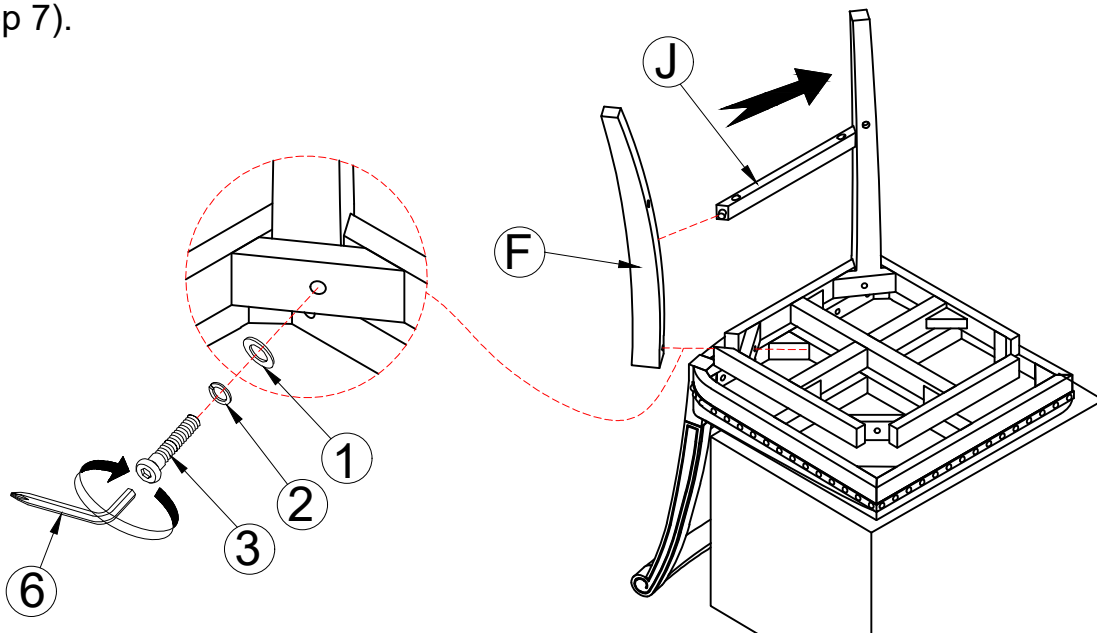
STEP- 3



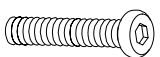
Turn the top chair frame of step 1 upside down on to a clean, soft surface. Attach left back leg (E) by using Flat washer (1), Lock Washer (2), Bolt (3) with Allen Key (6) .(Don't tighten bolt until at step 7).




STEP- 4

Attach right back leg (F) and back stretcher (J) on the top chair frame of step 2 by using Flat washer (1), Lock Washer (2), Bolt (3) with Allen Key (6) .(Don't tighten bolt until at step 7).



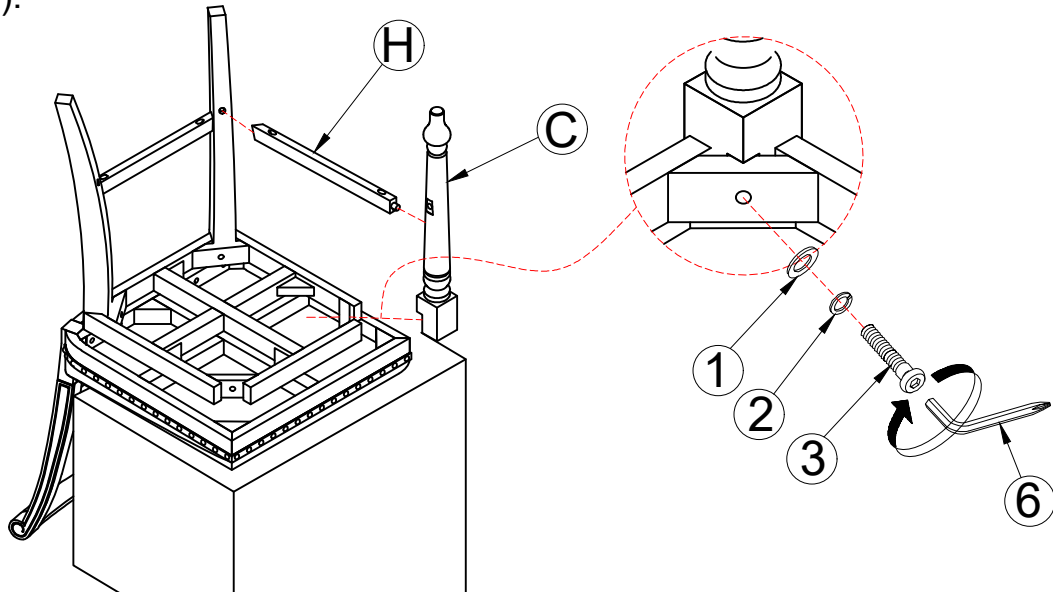
1		x2
2		x2
3		x2

6		x1
---	---	----

ASSEMBLY INSTRUCTIONS

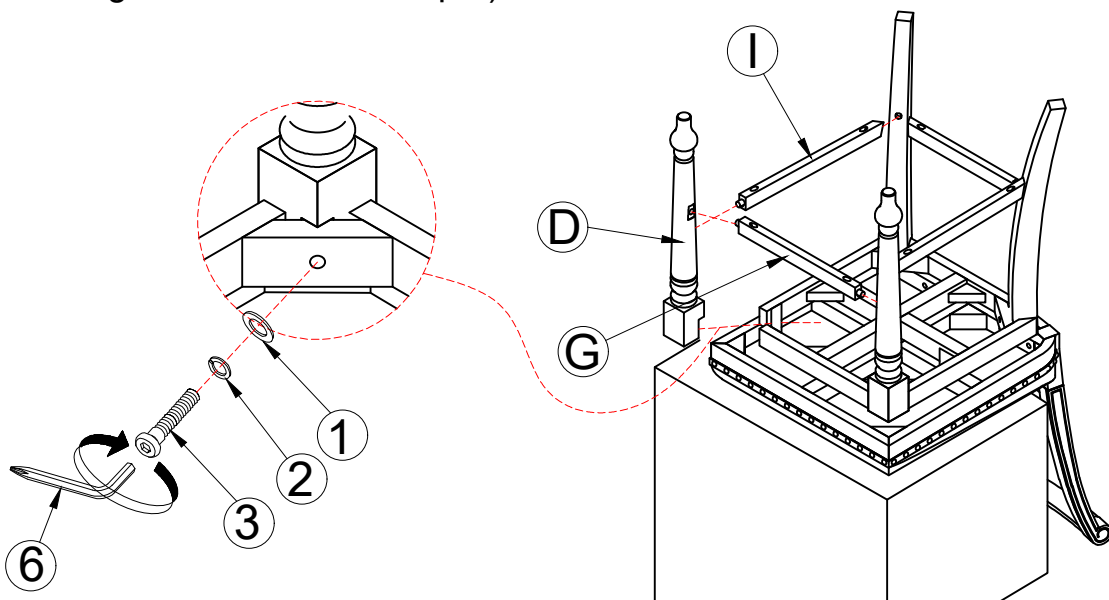
STEP- 5




Attach left front leg (C) and left side stretcher (H) on the top chair frame of step 3 by using Flat washer (1), Lock Washer (2), Bolt (3) with Allen Key (6) .(Don't tighten bolt until at step 7).




STEP- 6

Attach right front leg (D), right side stretcher (I) and front stretcher (G) on the top chair frame of step 4 by using Flat washer (1), Lock Washer (2), Bolt (3) with Allen Key (6) .(Don't tighten bolt until at step 7).



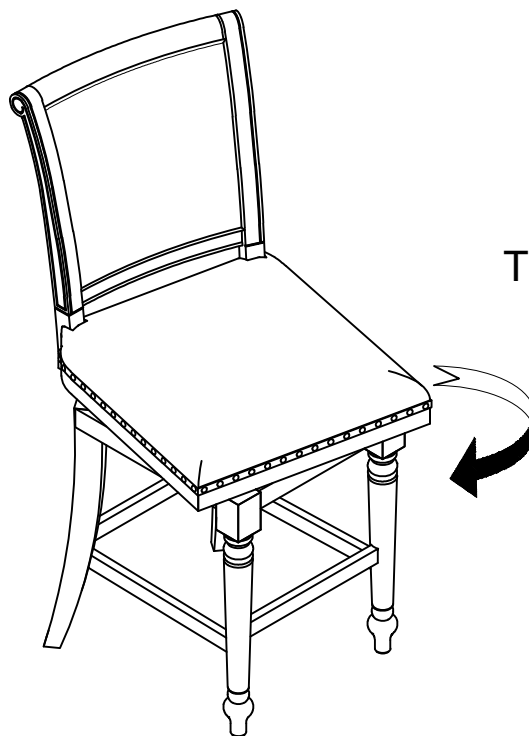
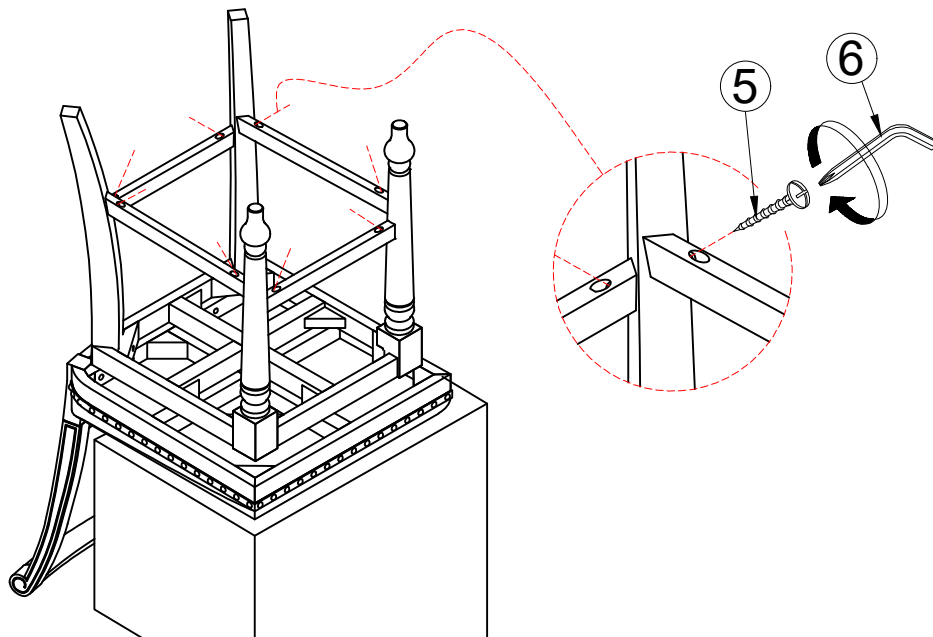
1		x1
2		x1
3		x2

6		x1
---	---	----

ASSEMBLY INSTRUCTIONS

STEP- 7

Tighten all stretcher with legs by using screw (5) with Allen Key (6).



The chair can
be rotated

6		x1
5		x8

After installation, please keep the chair balanced, tighten all bolts.

WARRANTY

1. We strive to offer high-quality products, and we also try our best to satisfy each and every customer that orders from us with product or service as needed.
2. We provide 30 days warranty starting from the time you receive the item. Each customer must provide a record of their order such as the order number, or item receipt for any items that are out of the warranty period you may also still receive.
3. Replacement parts by purchasing them with our company if they are available.

Are you having difficulty
With assembly? Missing parts?
Please send email with your order No to
customerservice@hulalahome.com
For return, please check the return policy with
the retailer or market place you bought from.

Appreciate your purchasing from us.
Pop up your life by our furniture piece!