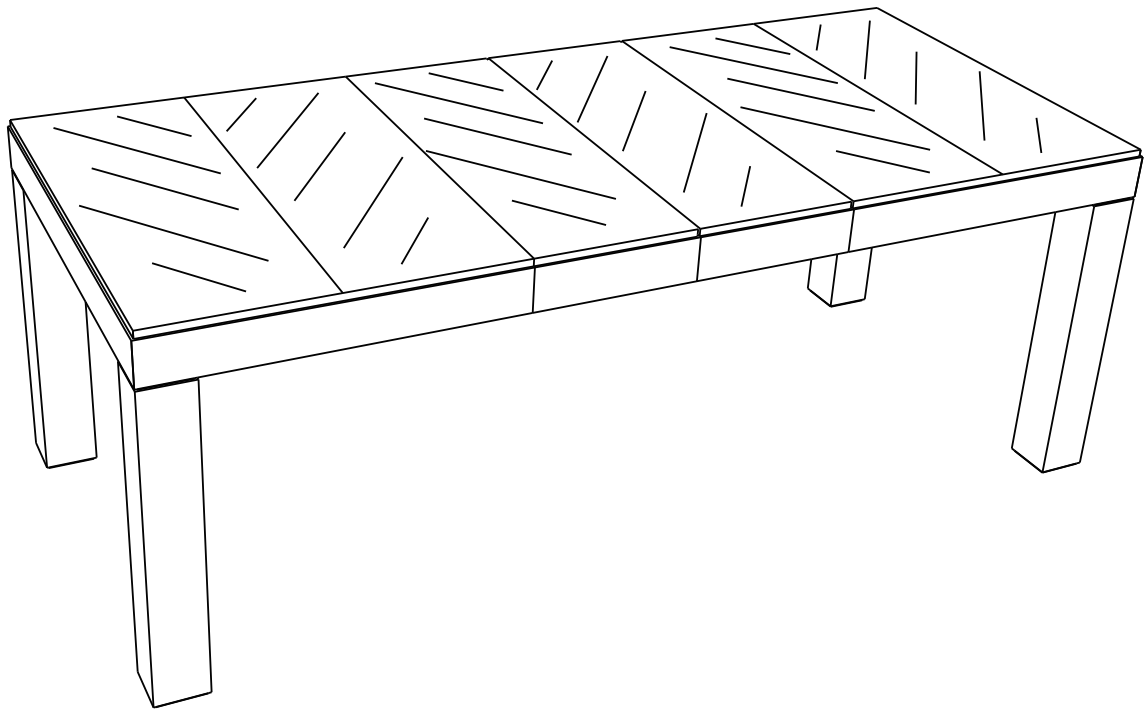


HULALA

H O M E



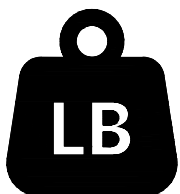
ITEM NO.DTTL1008

NOTE:

This brochure contains **IMPORTANT** safty info. Please read and keep for future reference.

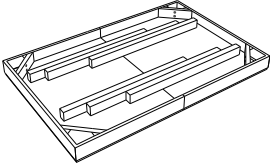
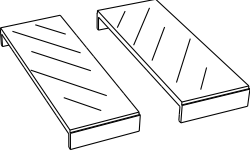

MAINTAINANCE AND WARNING

- 1.Keep furniture away from heat sources.
- 2.Do not clean furniture with harsh cleaner or polishes.Do not use detergents,solvents,abrasives,spray packs or leather cleaner. Use non-color mild soa with warm water to clean spills(Mix 1:10 soap to water).
- 3.Do not place furniture under direct sunlight,material will possibly fade over time.
- 4.Do not use on site dry cleaning machine.Children should not climb or jump on the furniture.
- 5.Do not write on furniture that is not protectedby a padded barrier.
- 6.Not for commercial use,only for residential use.

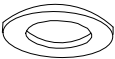
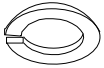
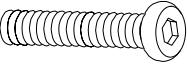


Weight Limitation
275 LBS


PARTS LIST

A	x1	B	x1	C	x4
					


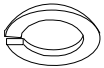
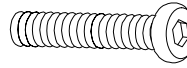
HARDWARE LIST

#1	x8	#2	x8	#3	x8
					
Ø5/16 x 20mm		Ø5/16 x 13mm		Ø5/16 x 60mm	

TOOL LIST

#4	x1
	
M5	

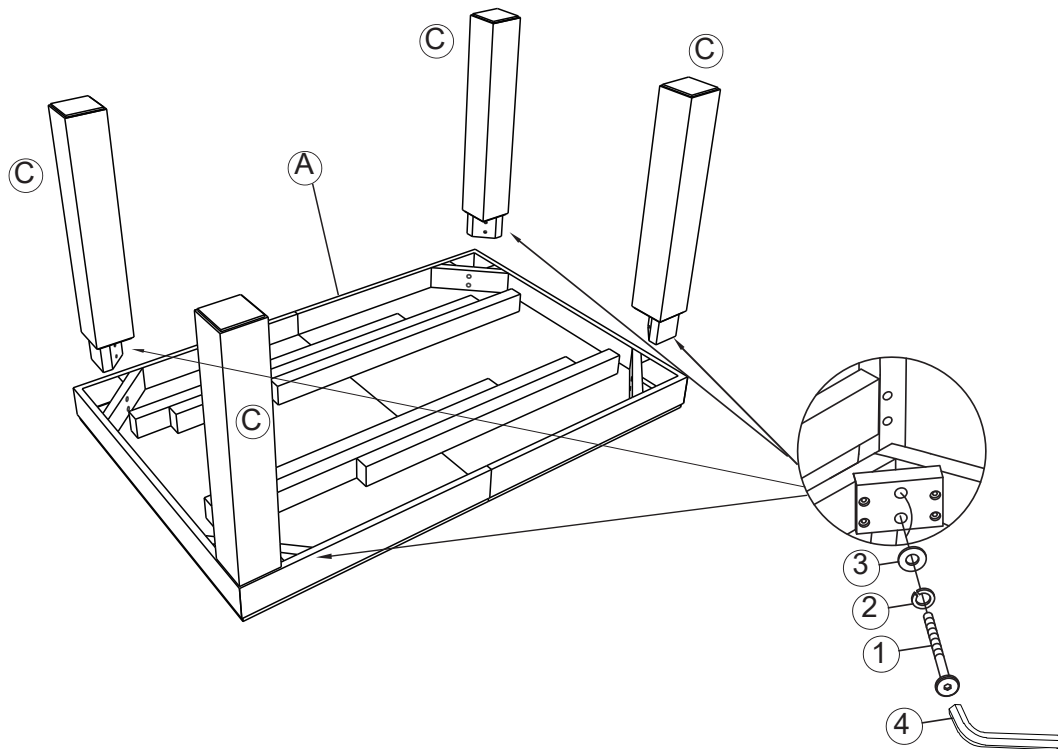
HARDWARE SPARE LIST



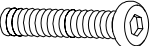
#1	x1	#2	x1	#3	x1
					
Ø5/16 x 20mm		Ø5/16 x 13mm		Ø5/16 x 60mm	


ASSEMBLY INSTRUCTIONS

STEP- 1

Turn the Table top (A) upside down onto a clean, soft surface. Attach the Table leg (B) to the Table top (A) by using Flat washer (1), Lock Washer (2), Bolt (3) with Allen Key (4) . (Don't tighten bolt).

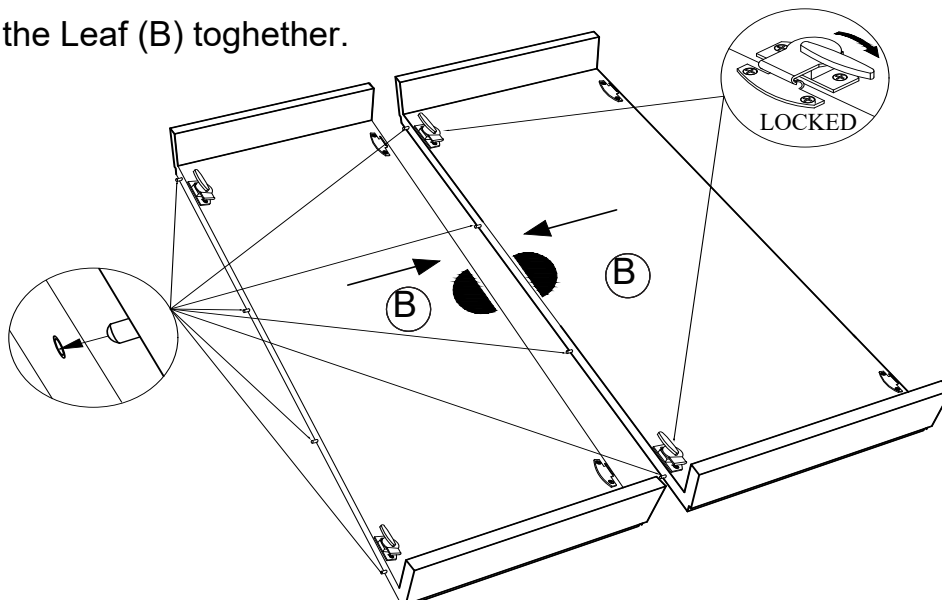


1		x8
2		x8
3		x8

4		x1
---	---	----

STEP- 2

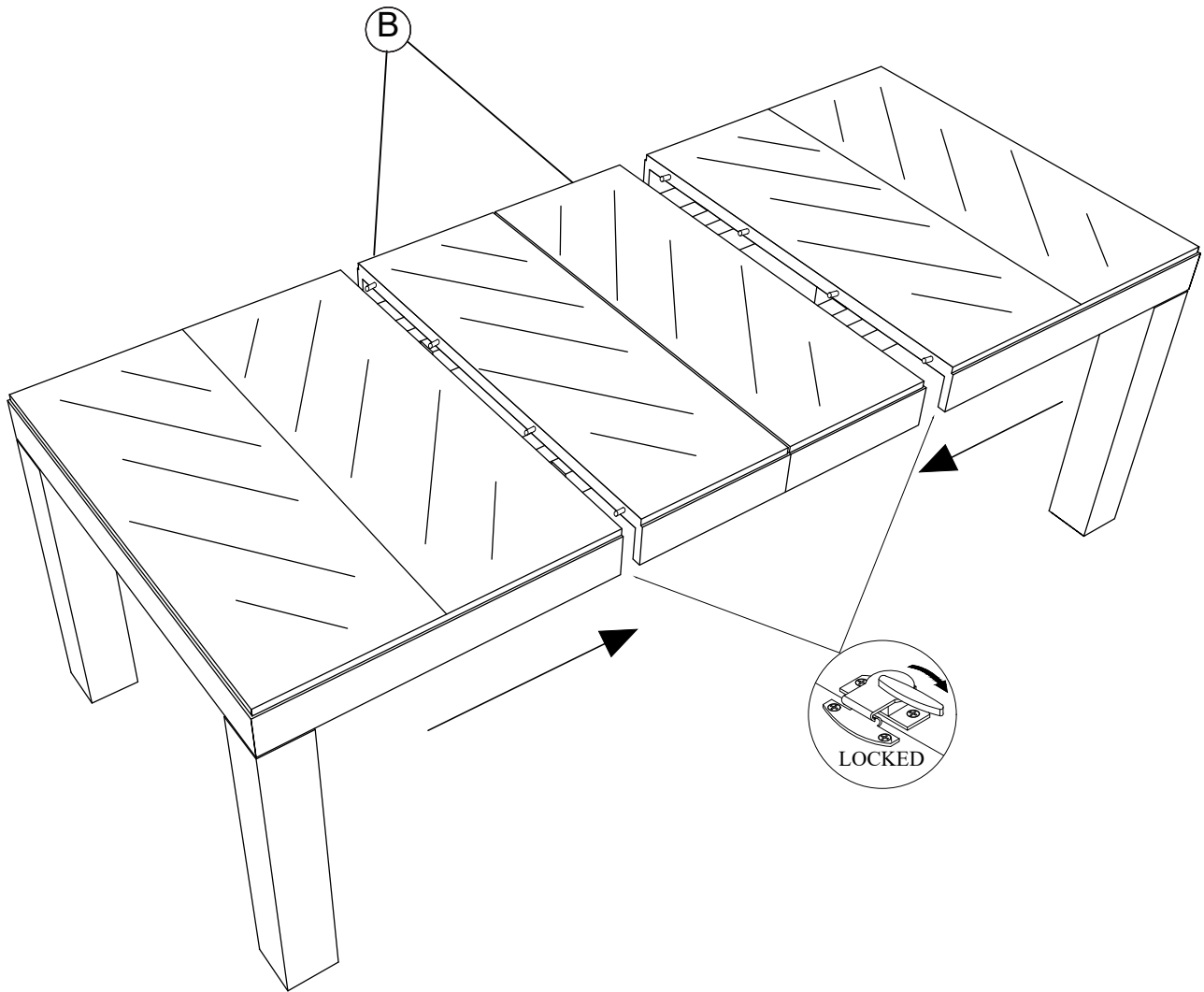
Attach two the Leaf (B) together.




ASSEMBLY INSTRUCTIONS

STEP- 3

Attach two the Leaf (B) on the table.



 After installation, please keep the table balanced, tighten all bolts.

WARRANTY

1. We strive to offer high-quality products, and we also try our best to satisfy each and every customer that orders from us with product or service as needed.
2. We provide 30 days warranty starting from the time you receive the item. Each customer must provide a record of their order such as the order number, or item receipt for any items that are out of the warranty period you may also still receive.
3. Replacement parts by purchasing them with our company if they are available.

Are you having difficulty
With assembly? Missing parts?
Please send email with your order No to
customerservice@hulalahome.com
For return, please check the return policy with
the retailer or market place you bought from.

Appreciate your purchasing from us.
Pop up your life by our furniture piece!