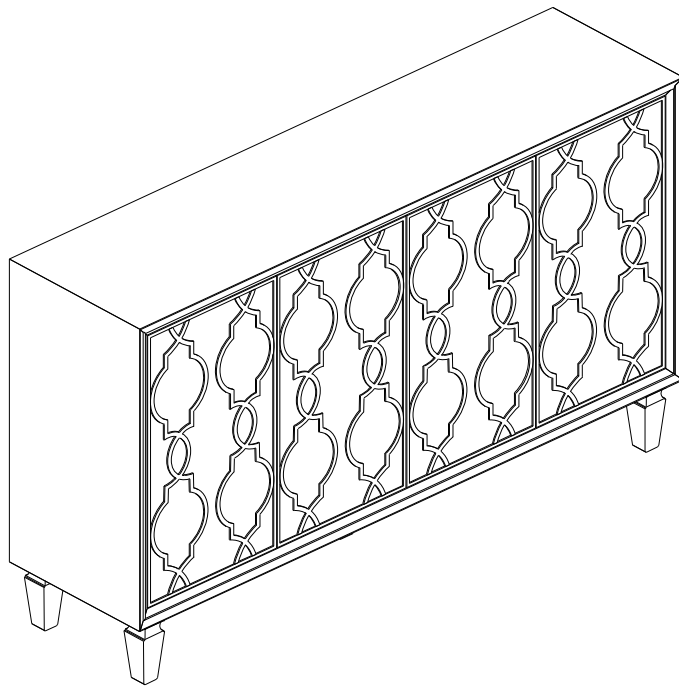


# HULALA

---

H O M E



**ITEM NO.SBHM0687**

---

## NOTE:

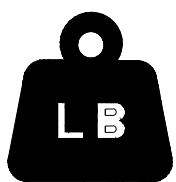
---

This brochure contains IMPORTANT safety info. Please read and keep for future reference.

---

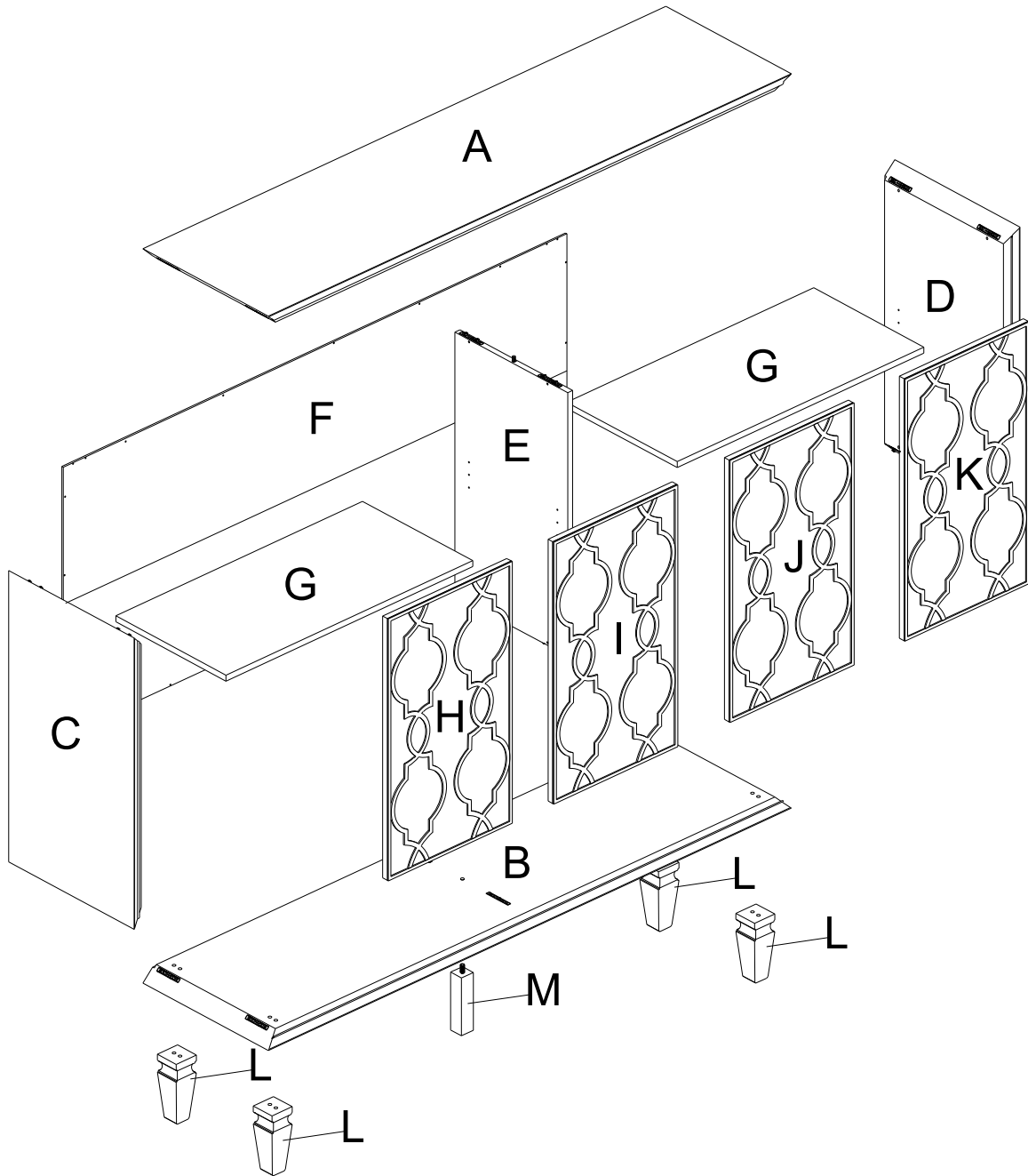
## MAINTAINANCE AND WARNING

- Keep furniture away from heat sources.
- Do not clean furniture with harsh cleaner or polishes. Do not use detergents, Solvents, abrasives, spray packs or leather cleaner. Use non-color mild soap with warm water to clean spills (Mix 1:10 soap to water)
- Do not place furniture under direct sunlight, material will possibly fade over time.
- Do not use on site dry Cleaning machine. Children should not climb or jump on the furniture.
- Do not write on furniture that is not protected by a padded barrier .
- Not for commercial use, only for residential use.



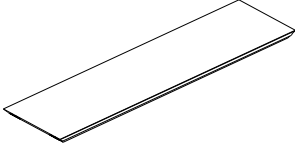
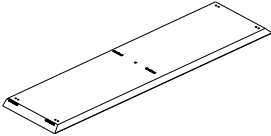

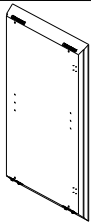
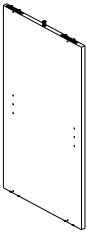
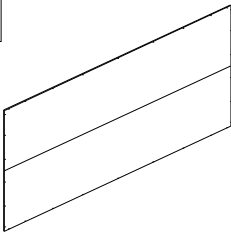
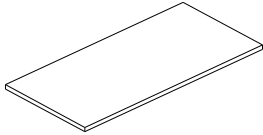
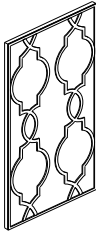
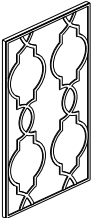
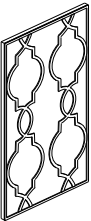
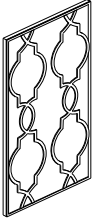
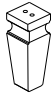

Weight Limitation

**150LBS**

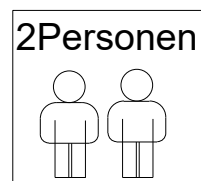


# OVERVIEW

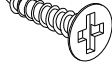
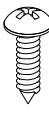

# HARDWARE LIST

<p><b>A</b></p> 	<p><b>B</b></p> 	<p><b>C</b></p> 	<p><b>D</b></p> 
<p>1 PC</p>	<p>1 PC</p>	<p>1 PC</p>	<p>1 PC</p>
<p><b>E</b></p> 	<p><b>F</b></p> 	<p><b>G</b></p> 	<p><b>H</b></p> 
<p>1 PC</p>	<p>1 PC</p>	<p>2 PCS</p>	<p>1 PC</p>
<p><b>I</b></p> 	<p><b>J</b></p> 	<p><b>K</b></p> 	<p><b>L</b></p> 
<p>1 PC</p>	<p>1 PC</p>	<p>1 PC</p>	<p>4 PCS</p>
<p><b>M</b></p> 			
<p>1 PC</p>			

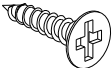
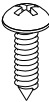
Persons Required For Assembly:



# PARTS LIST 1

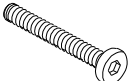
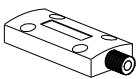
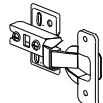
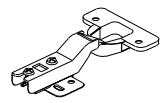




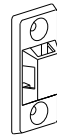
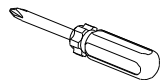

①	x52	②	x26	③	x16
					

# SPARE

①	x1	②	x1
			


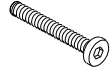
Be sure to inspect all packing material carefully for small parts, that may have come loose inside the carton during shipment.

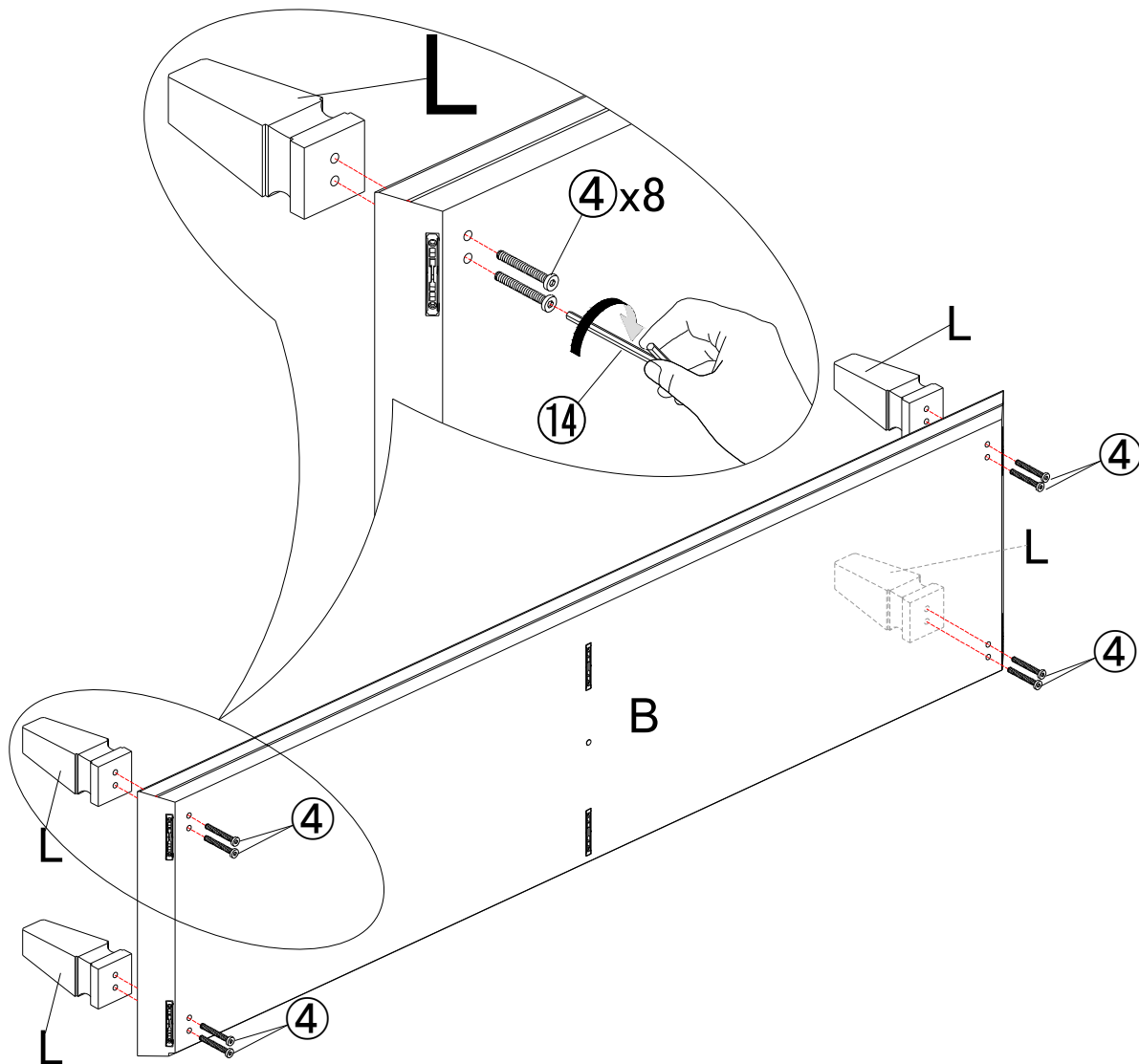
# PARTS LIST 2

④	x8	⑤	x4	⑥	x4	⑦	x4	⑧	x8
									
⑨	x2	⑩	x4	⑪	x4	⑫	x4	⑬	x1
									
⑭	x1								
									

Be sure to inspect all packing material carefully for small parts, that may have come loose inside the carton during shipment.

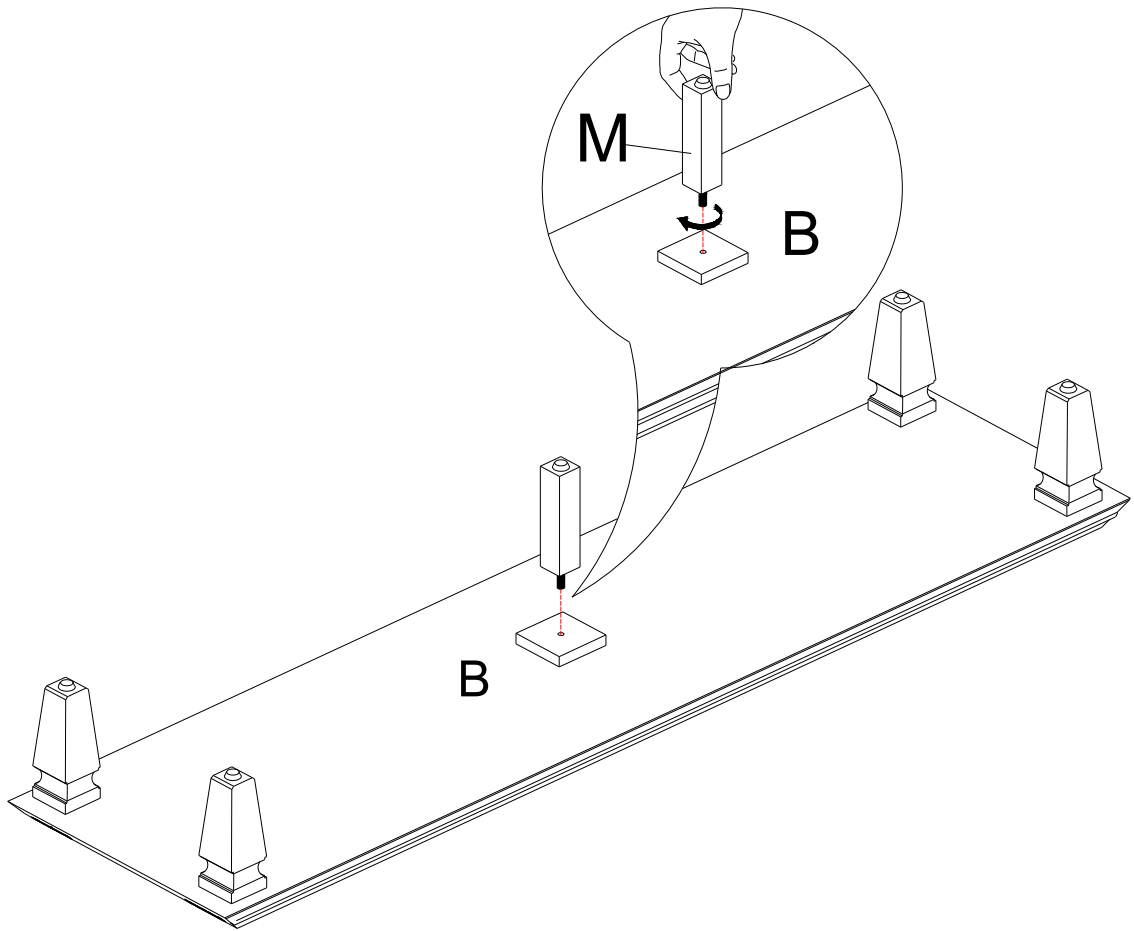
# ASSEMBLY INSTRUCTIONS

⑭	x1	④	x8
			



## STEP1:

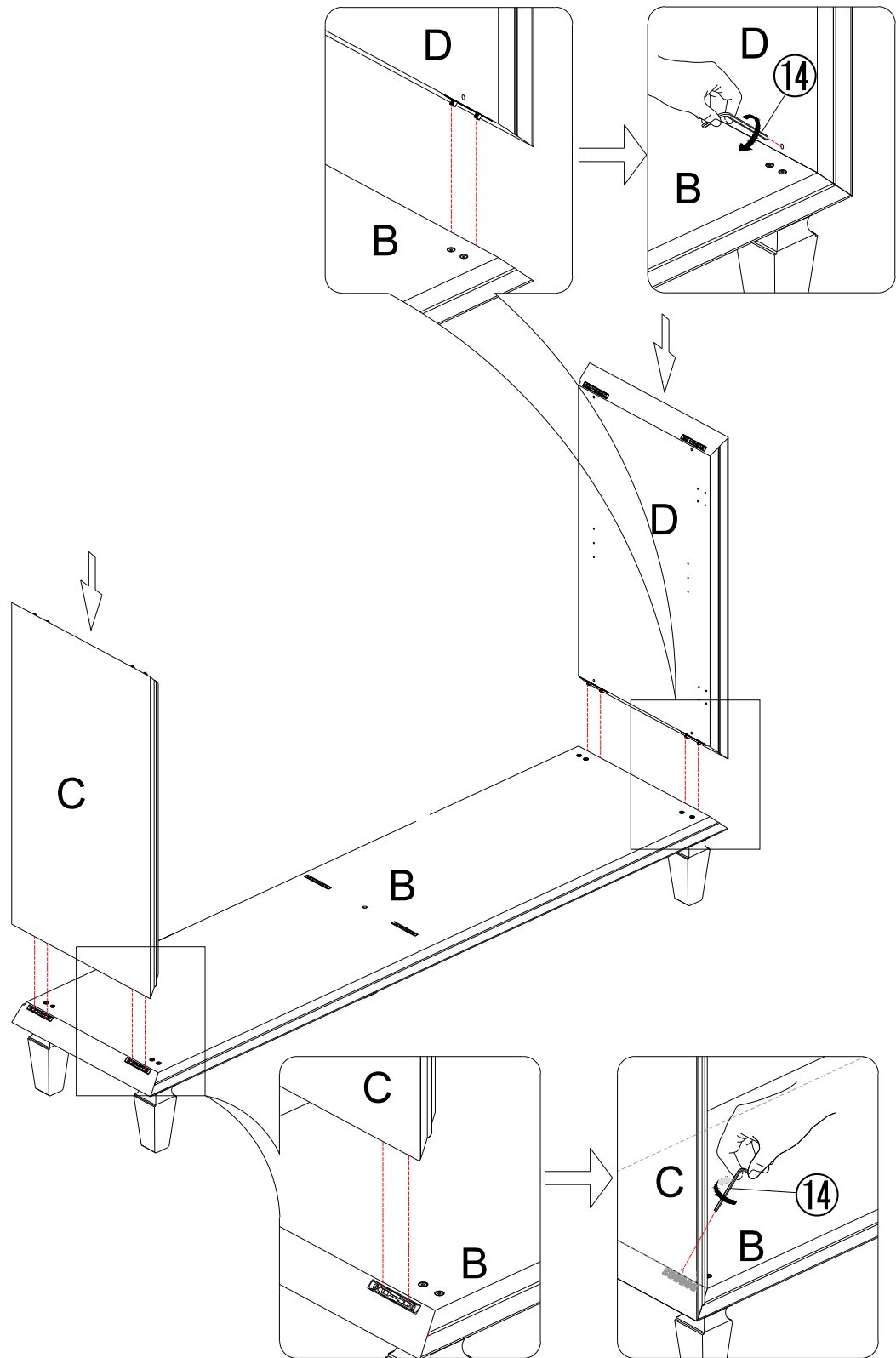
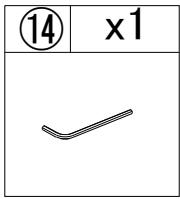
Use bolt ④ to attach leg(L) to bottom panel (B) , make sure all holes aligned and tighten it with allen key⑭.



**STEP2:**

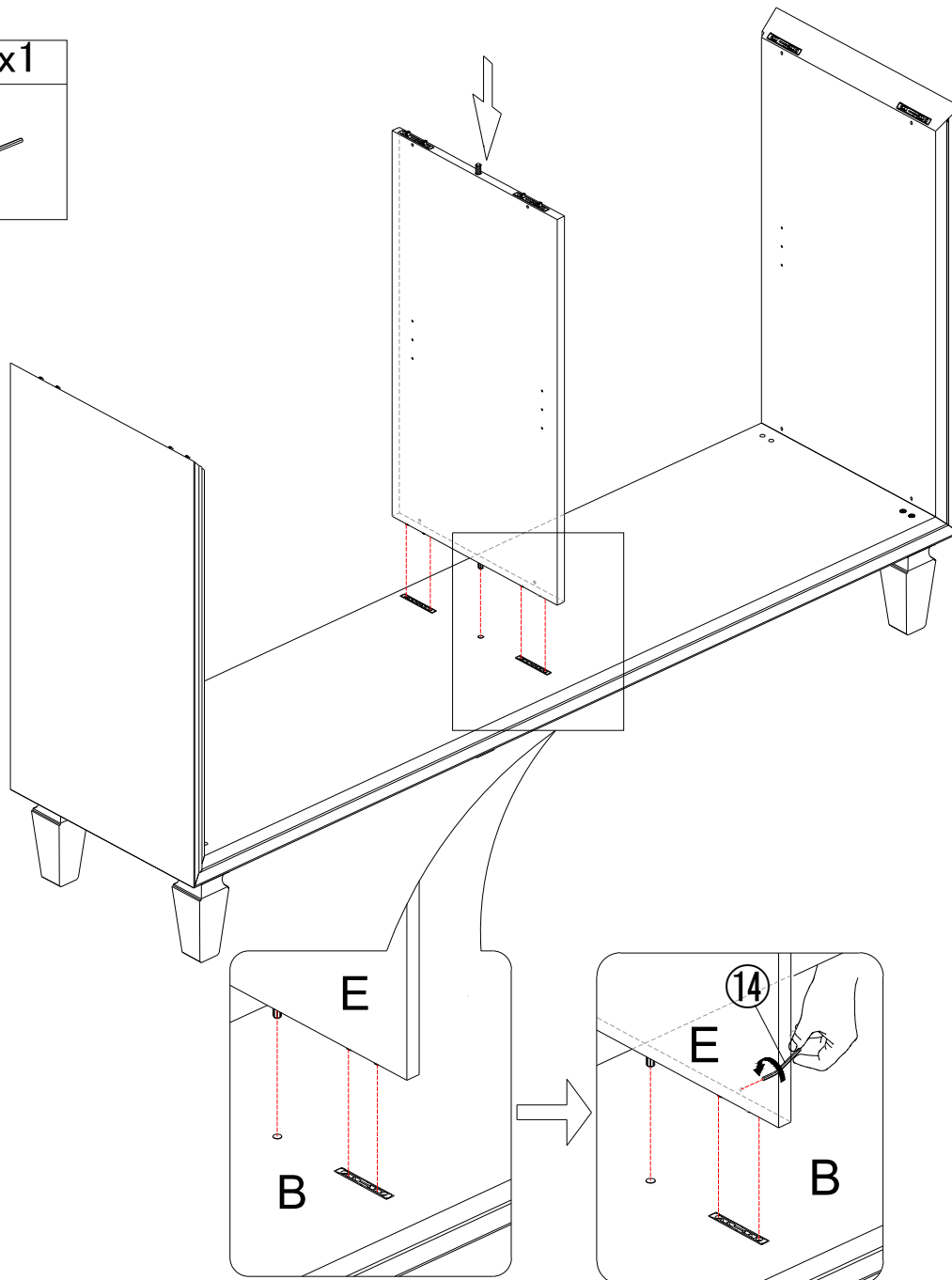
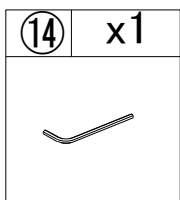
Screw leg(M) into panel (B) with hand as picture show.






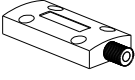
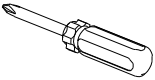
### STEP3:

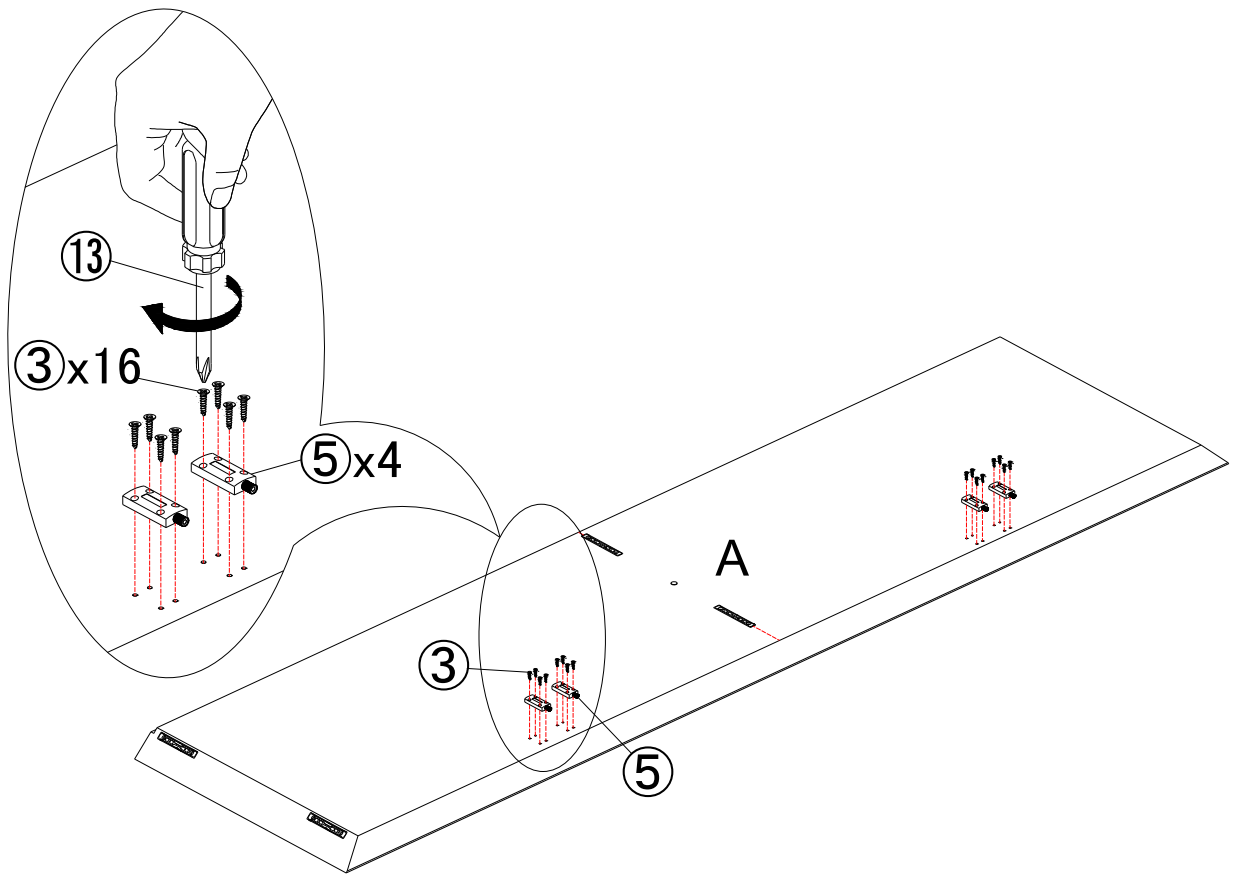
Insert side panel(C)&(D) into bottom panel (B),make sure all holes aligned and then tighten it with allen key ⑭ as picture show.



#### **STEP4:**

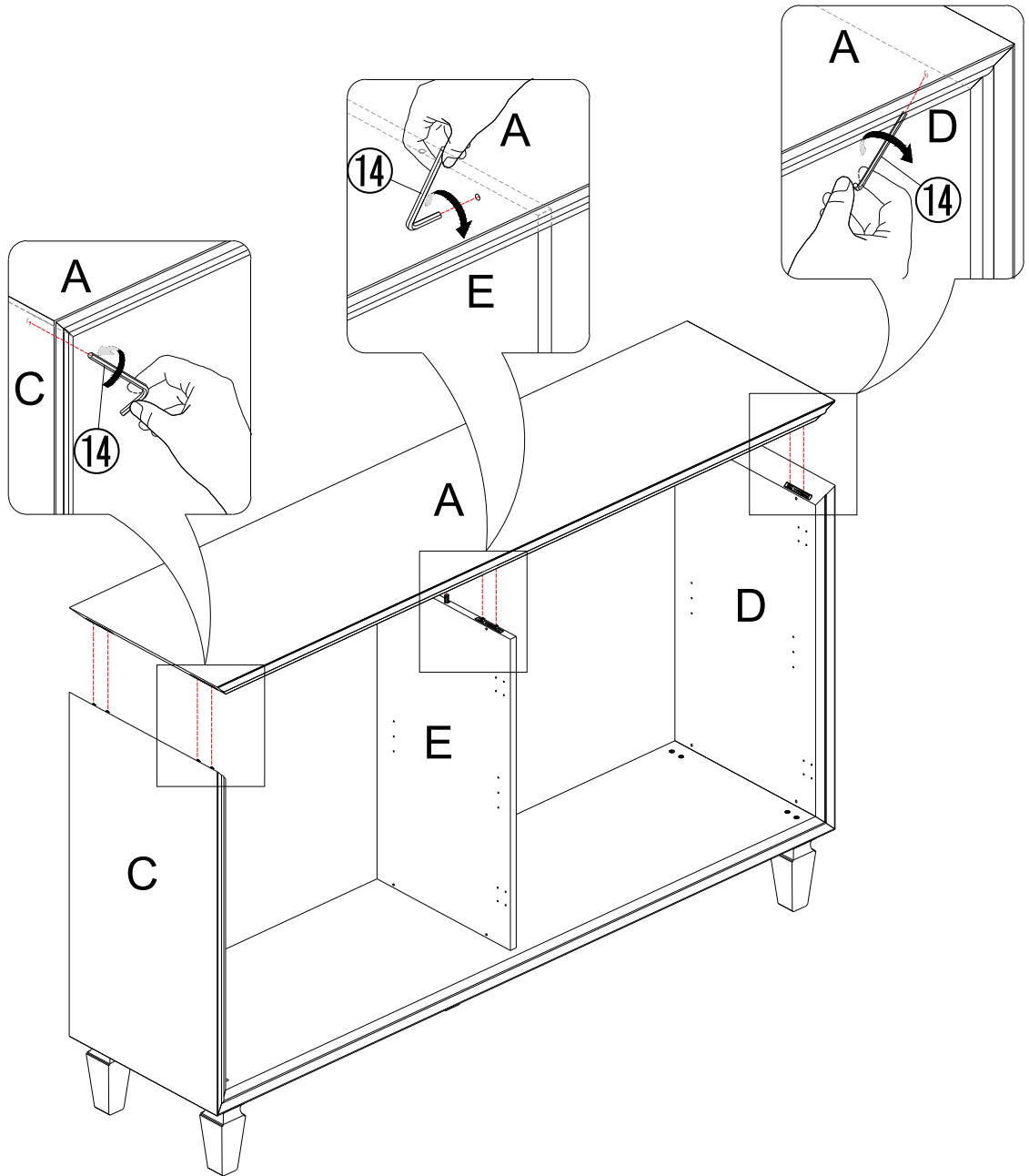
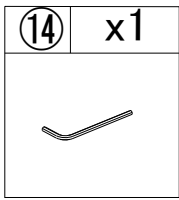
Insert middle vertical panel(E) into bottom panel (B),make sure all holes aligned and then tighten it with allen key ⑭ as picture show.

③	x16	⑤	x4	⑬	x1
					



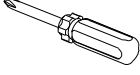

## STEP5:

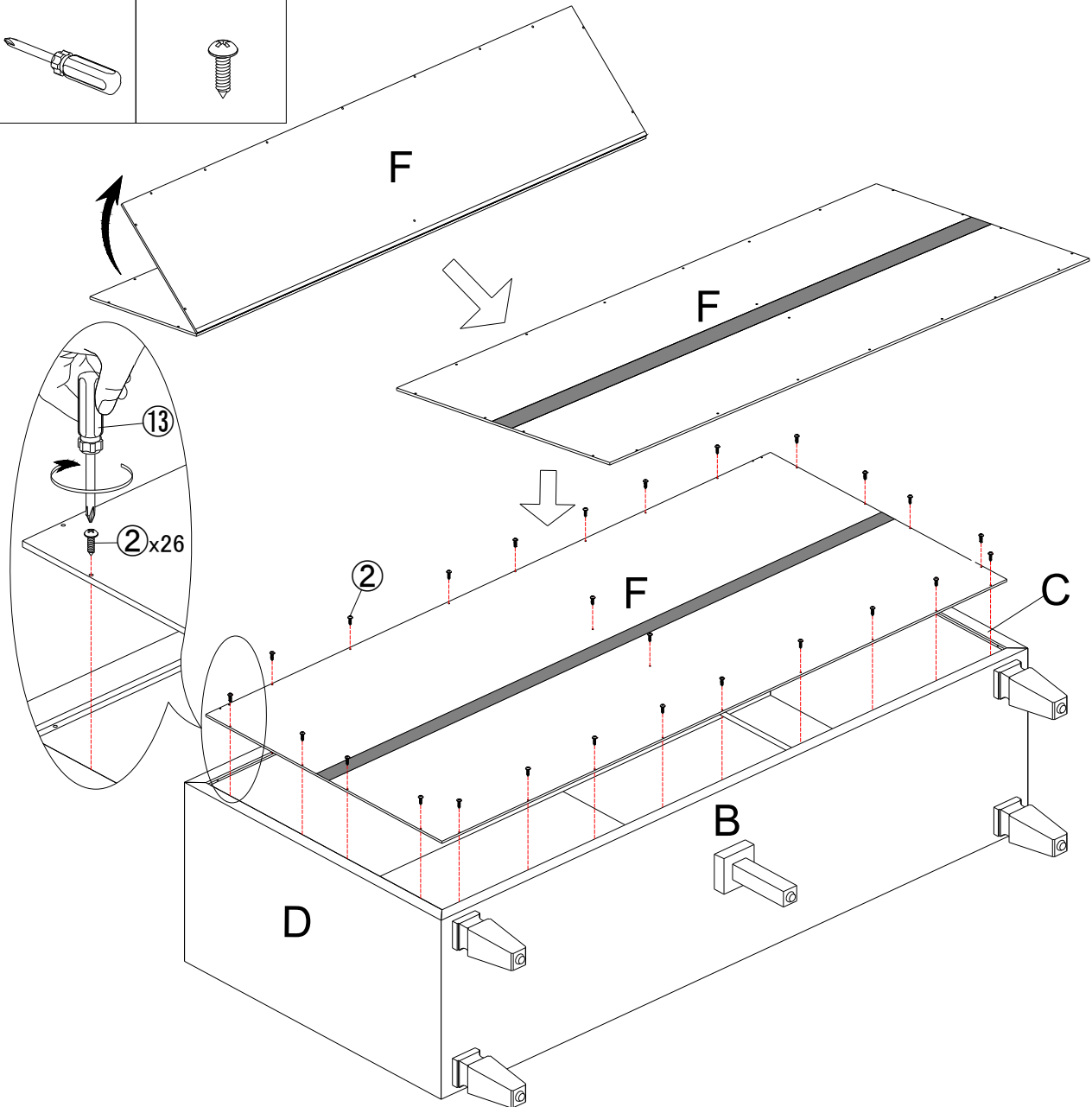
Use screws ③ to attach rebound device ⑤ to panel(A) ,make sure all holes aligned and then tighten it with screwdriver ⑬ .



## STEP6:

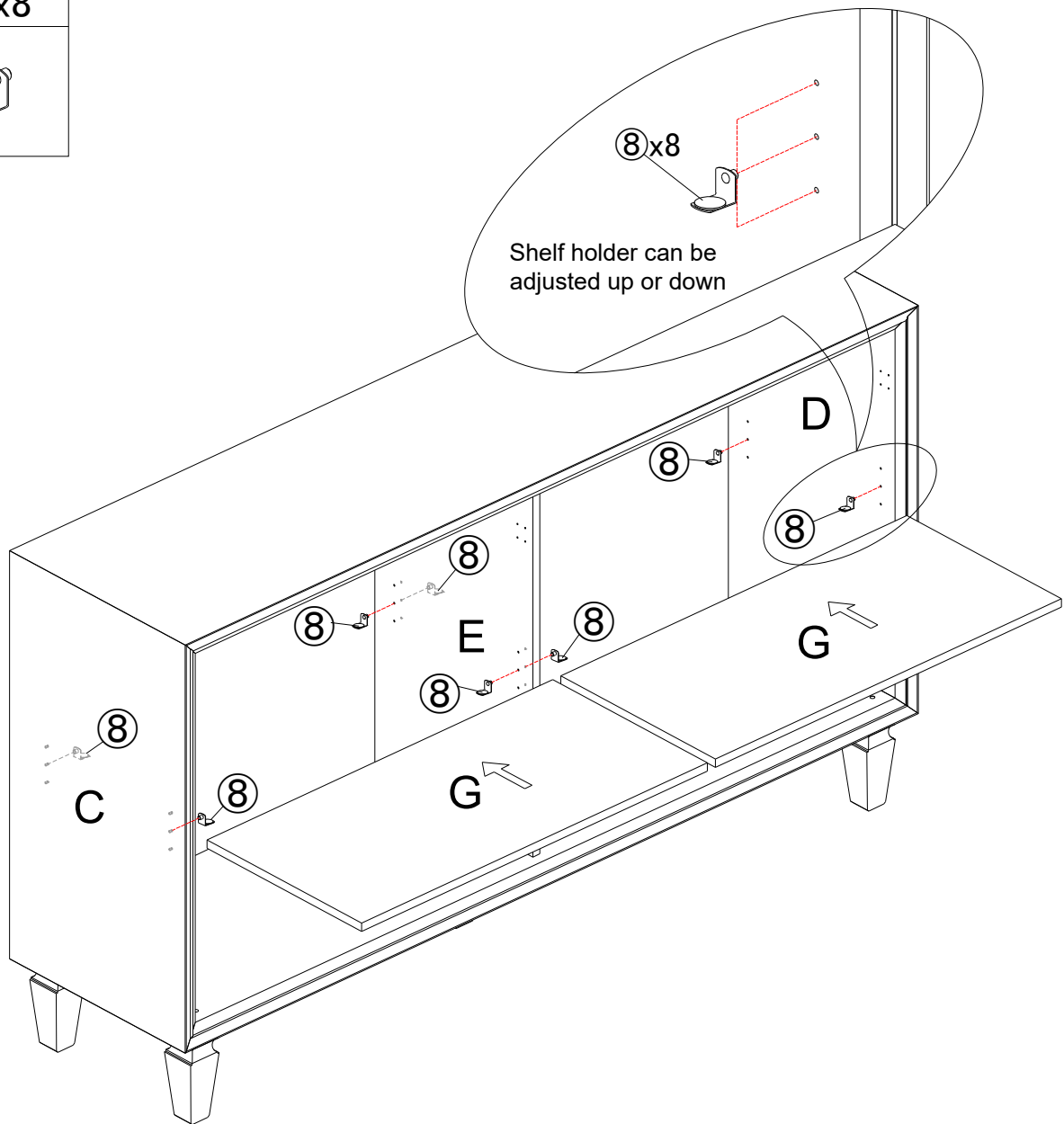
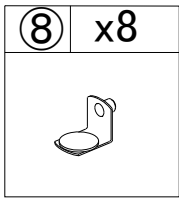
Insert panel(A) into preassembled unit at step 5, make sure all holes aligned and then tighten it with allen key ⑭.

⑬	x1	②	x26
			



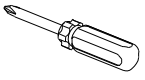

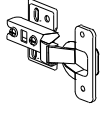
## STEP7:

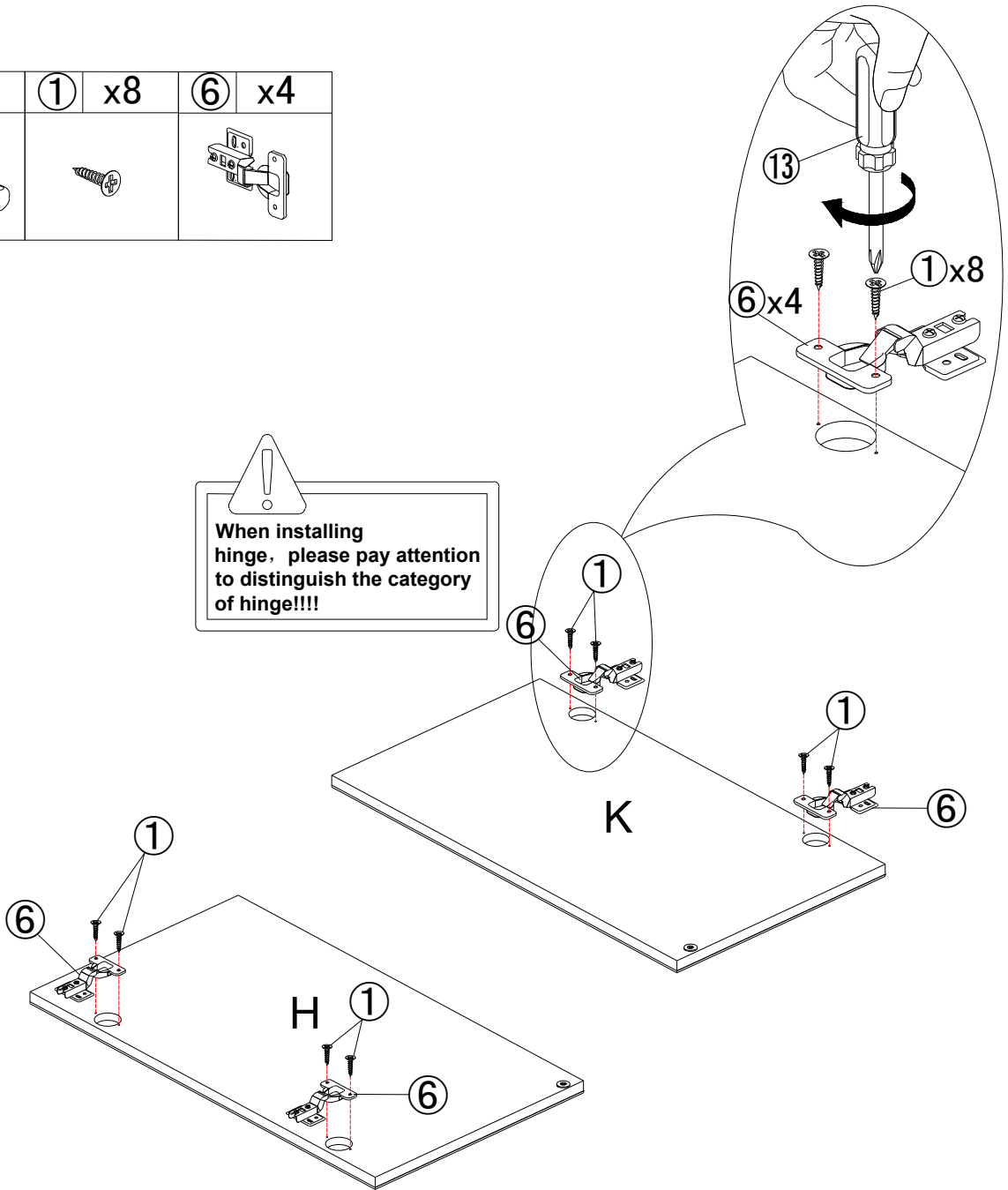
Open the panel (F), insert panel(F) into the groove of preassembled step 6, and then use screw② to attach panel (F) to the preassembled step 6,tighten it with screwdriver⑬.



**STEP8:**

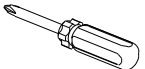

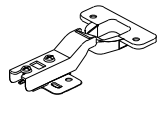
Insert shelf pin ⑧ into preassemble unit at step 7, and attach adjustable shelf (G) to it.

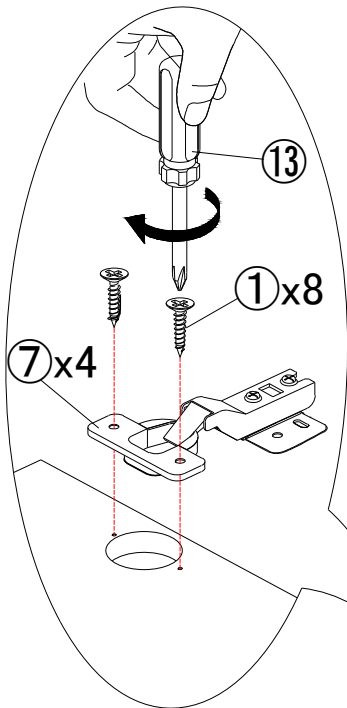
⑬	x1	①	x8	⑥	x4
					



## STEP9:

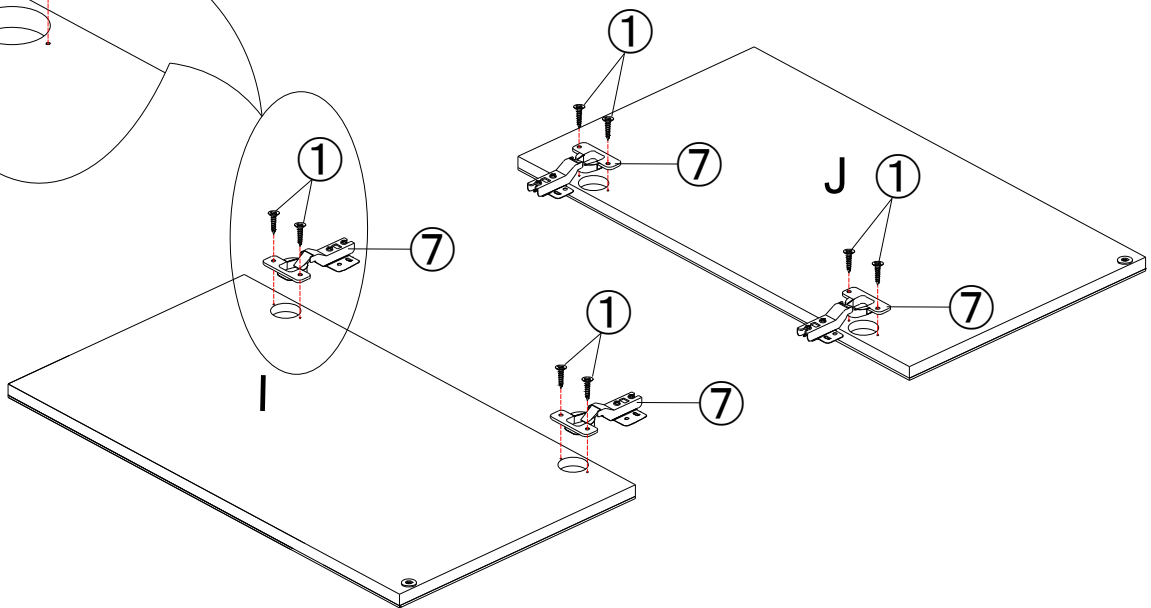
Use screw① to attach the hinges⑥ to door panel (H)&(K), tighten screws with screwdriver⑬.

⑬	x1	①	x8	⑦	x4
					



⚠

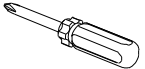

**When installing hinge, please pay attention to distinguish the category of hinge!!!!**

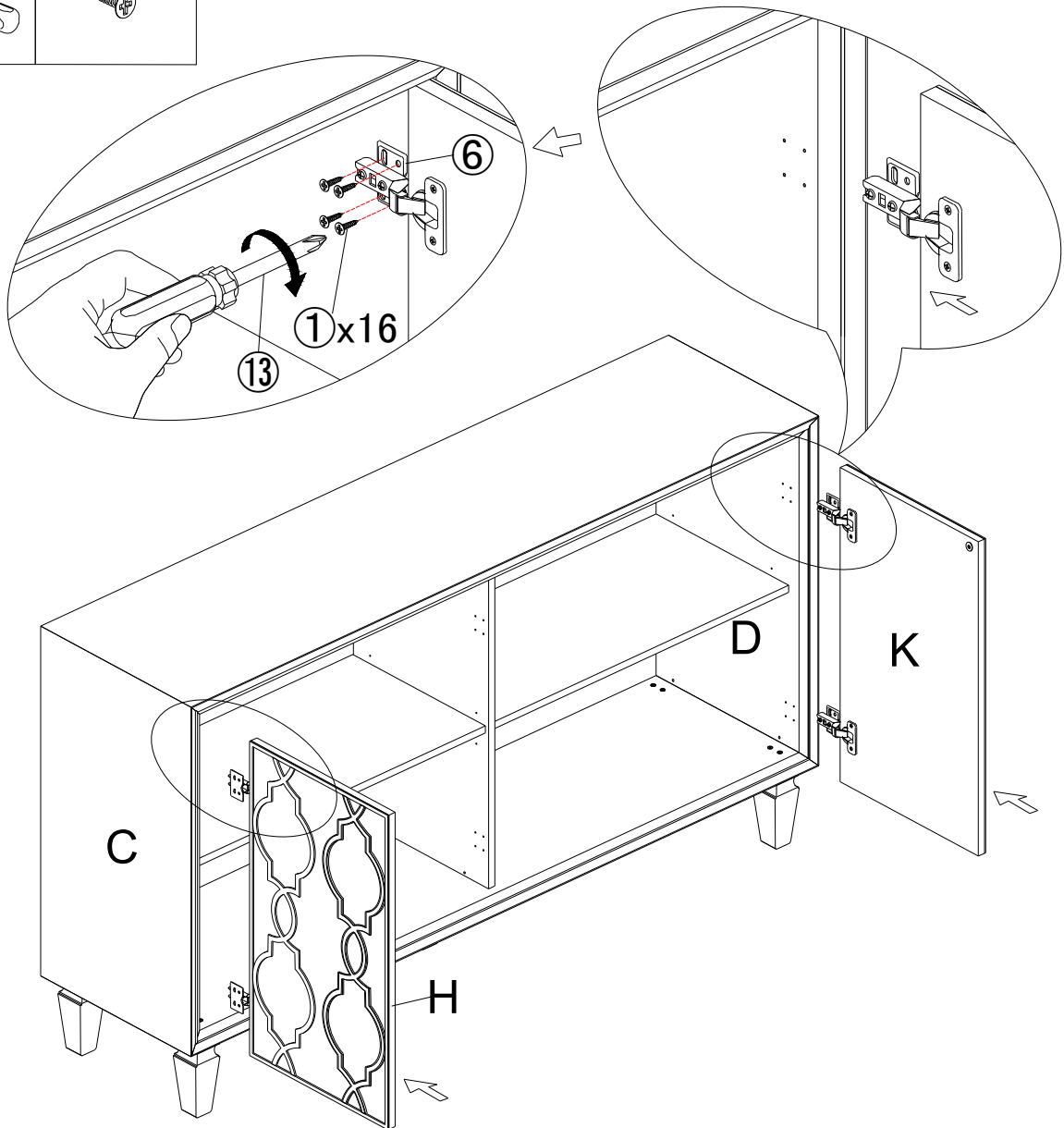


## STEP10:

Use screw ① to attach the hinges ⑦ to door panel (I)&(J), tighten screws with screwdriver ⑬.

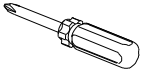



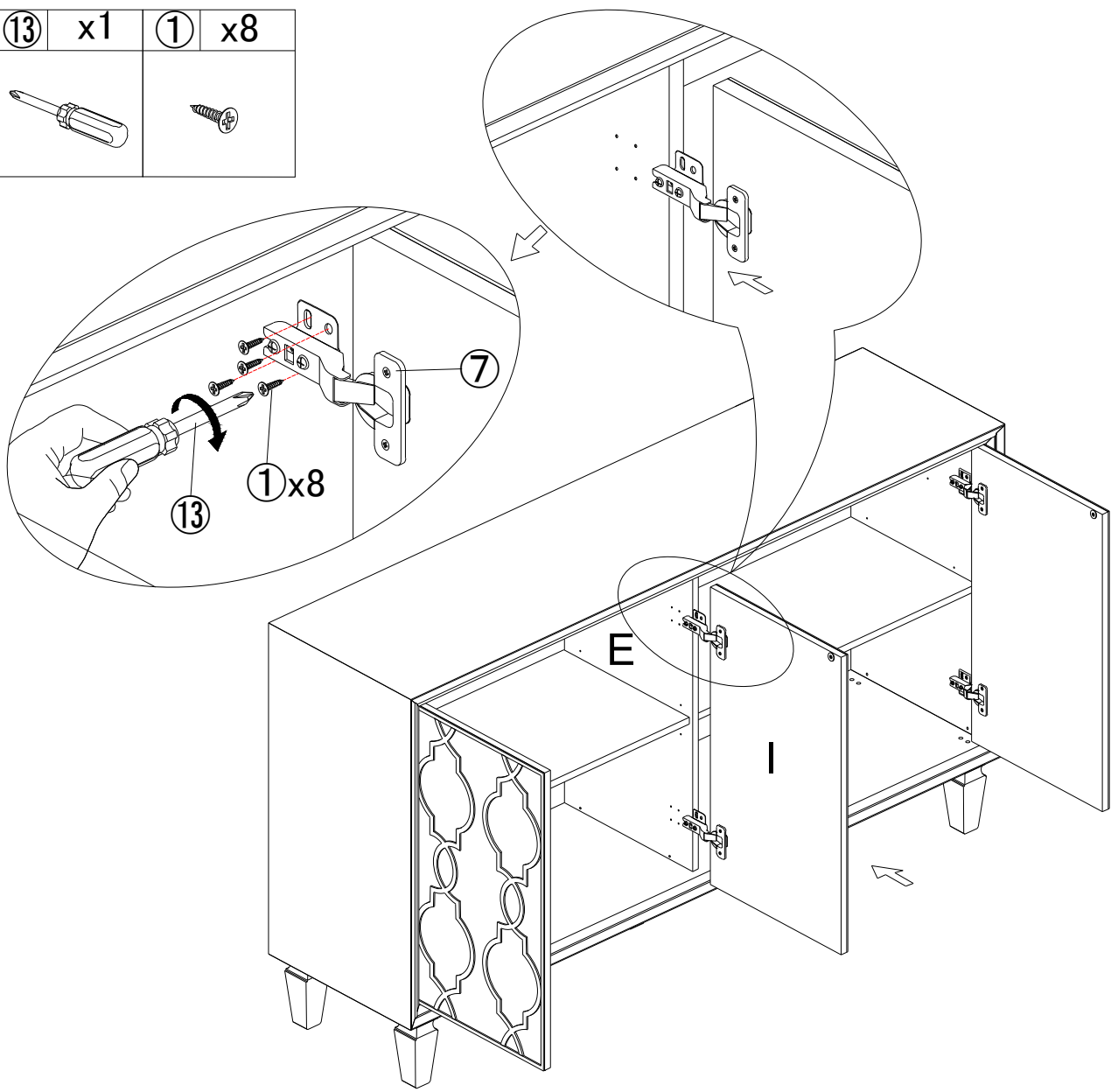
⑬	x1	①	x16
			



**STEP11:**

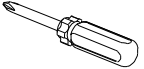

Use screw ① to attach left door (H) and right door (K) to preassemble unit at step 8 , tighten screws with screwdriver ⑬.

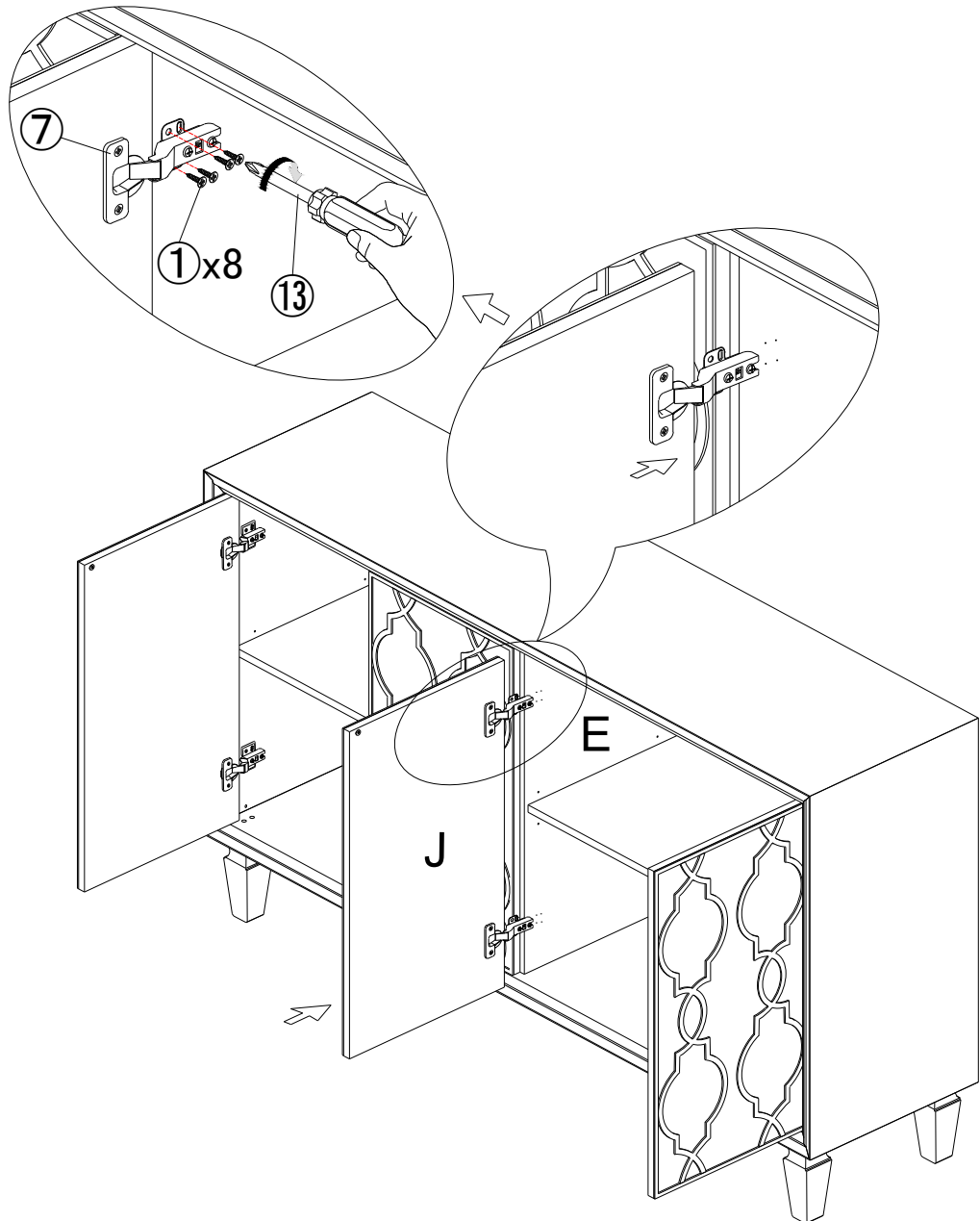
⑬	x1	①	x8
			



**STEP12:**

Use screw ① to attach middle door (I) to preassemble unit at step 11 , tighten screws with screwdriver ⑬.

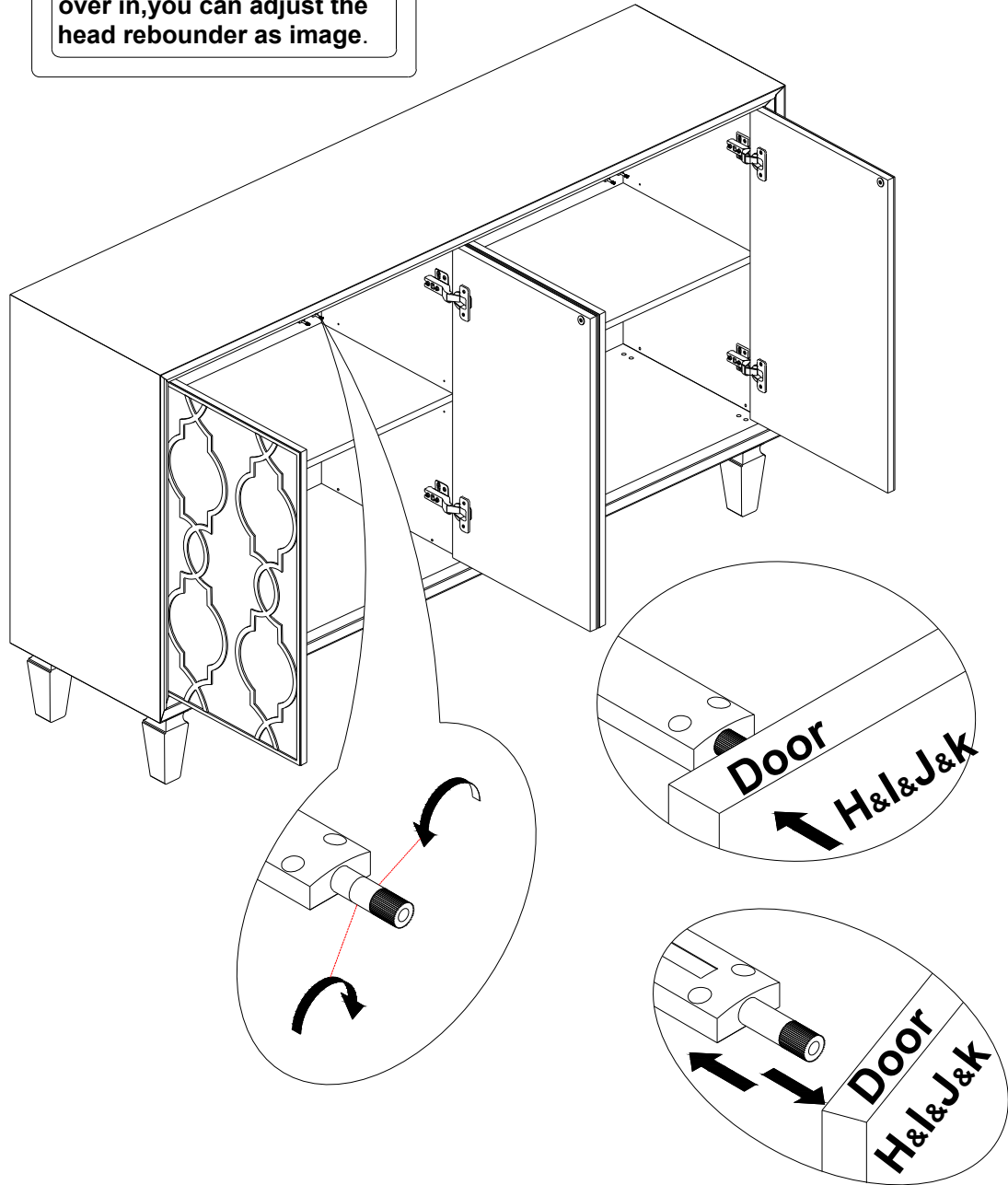
⑬	x1	①	x8
			



### STEP13:

Use screw ① to attach middle door (J) to preassemble unit at step 12 , tighten screws with screwdriver ⑬.

**Attention:**  
If the door looks over out or over in, you can adjust the head rebounder as image.

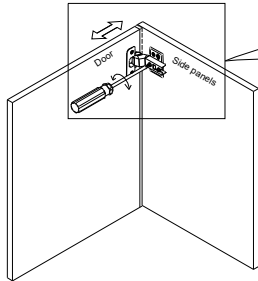


## STEP14:

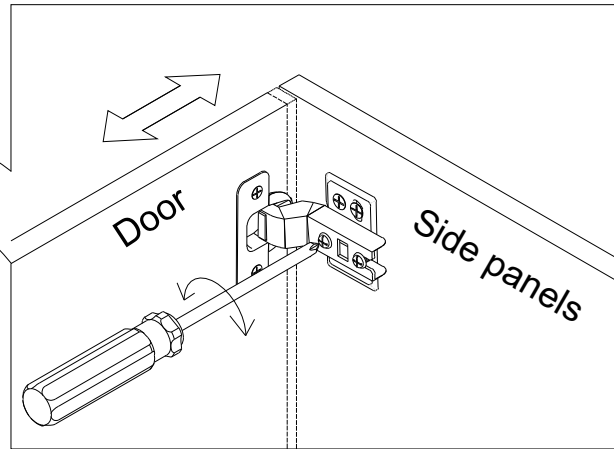
Attention:

If the door looks over out or over in, you can adjust the head rebounder as image.

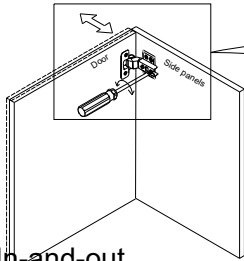
Concealed hinges are three-way adjustable:



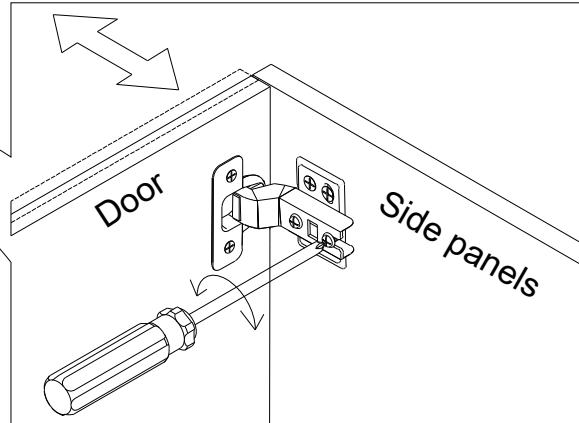
Horizontal  
by screw adjustment!



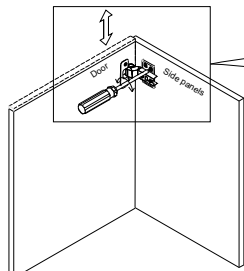
Concealed hinges are three-way adjustable:



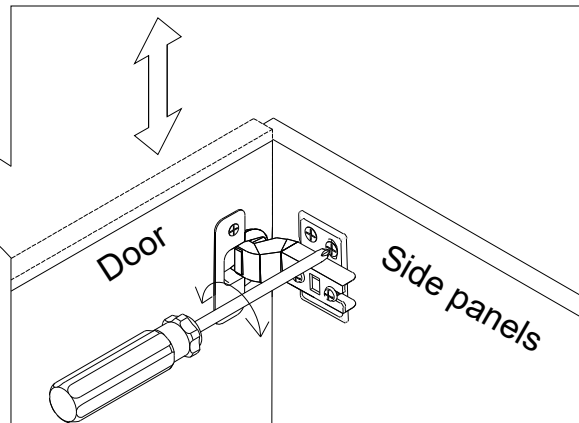
In-and-out  
by loosening the hinge arm  
mounting screw or via cam  
adjustment!



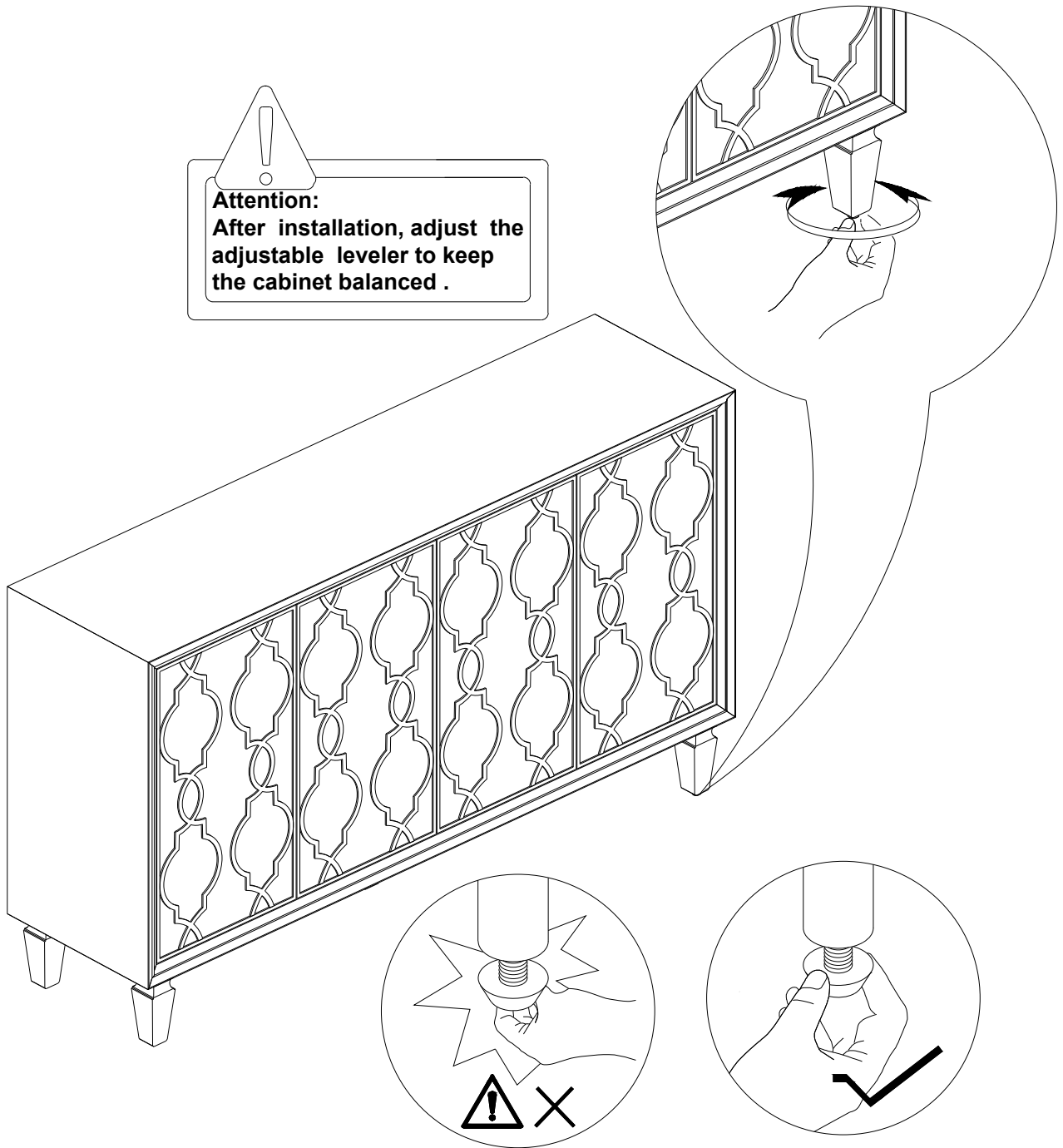
Concealed hinges are three-way adjustable:



Vertical via slots in  
the mounting plate  
or via cam  
adjustment!



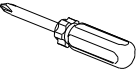

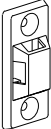
## Hinge adjustment method

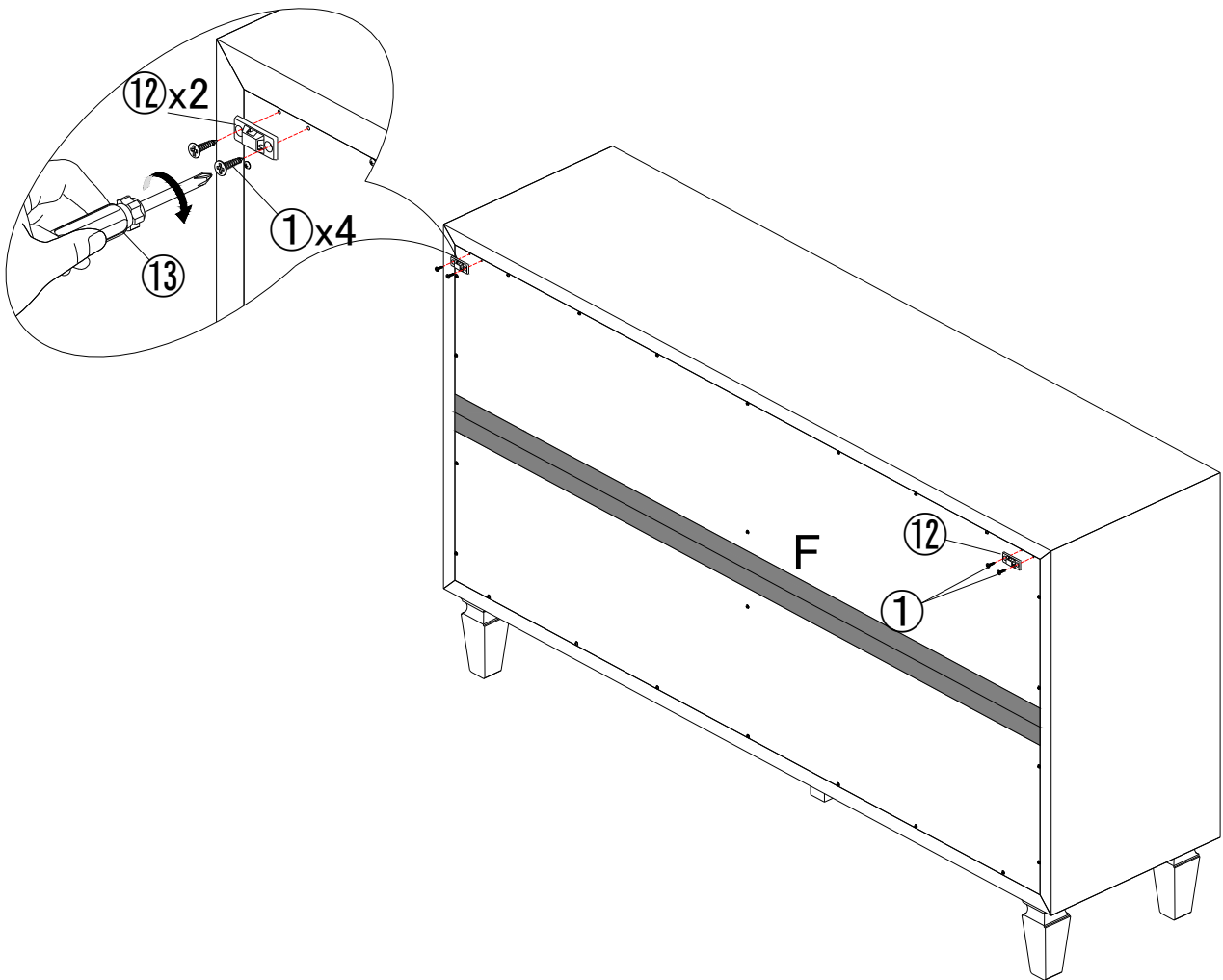


**STEP15:**

Attention:

After installation, adjust the adjustable leveler to keep the cabinet balanced .

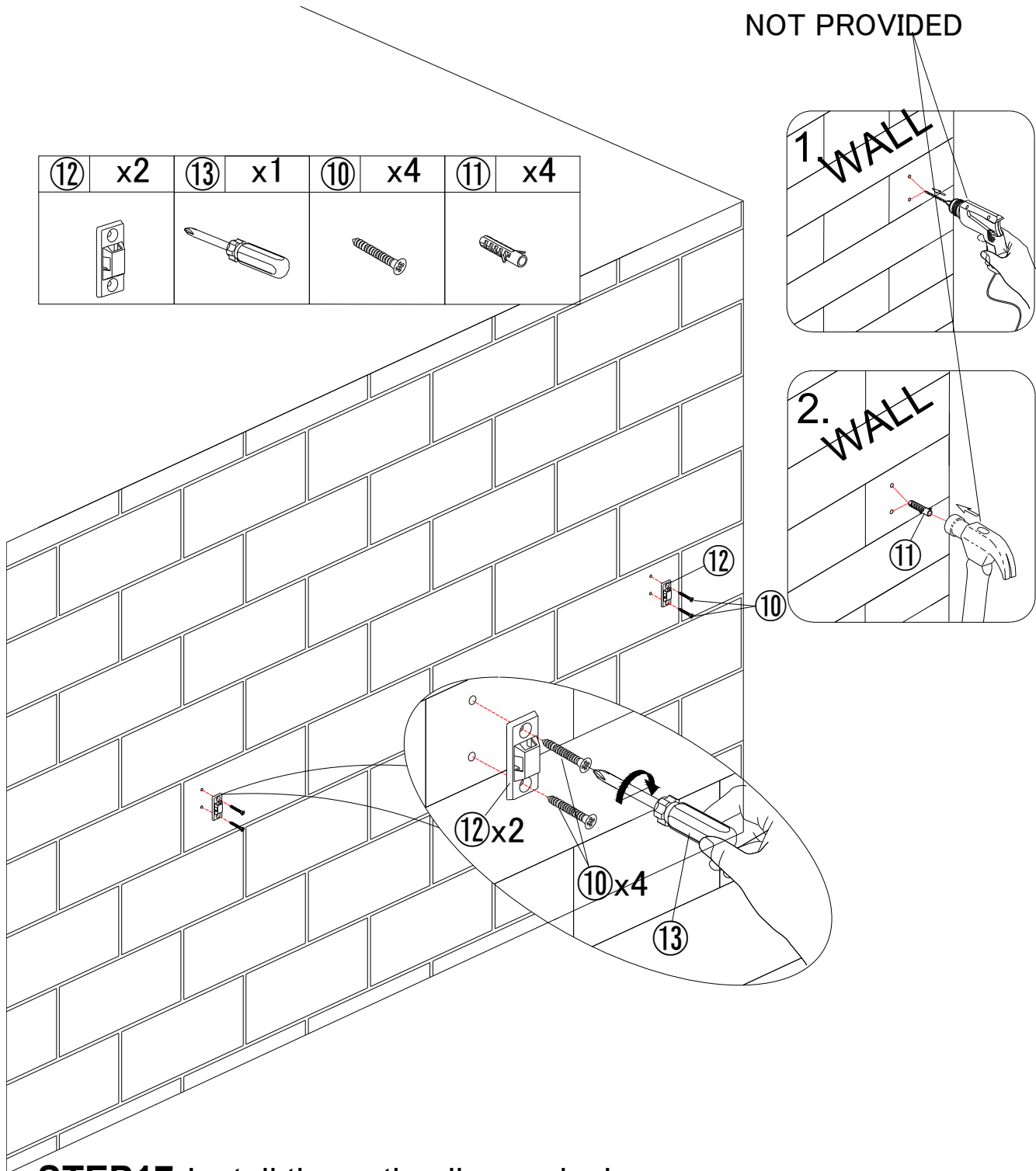
⑬	x1	①	x4	⑫	x2
					



## STEP16:

Use screw ① to attach part ⑫ to preassemble unit at step 13 , tighten screws with screwdriver ⑬.

NOT PROVIDED

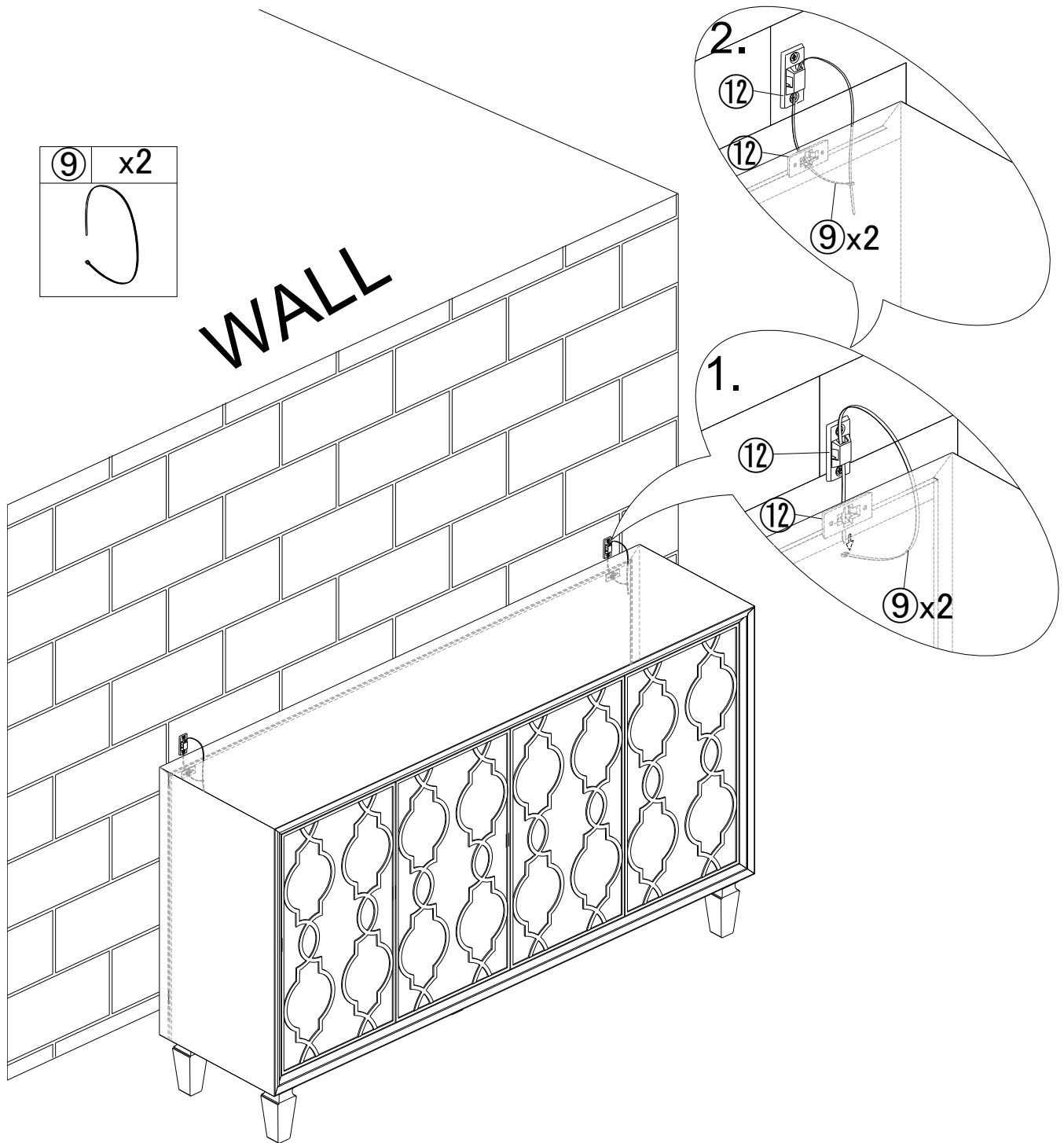


**STEP17:**Install the anti-collapse device.

1. Mark the position on the wall, that corresponds to the location of part ⑫ on the back of panel F; Drill and insert the expandable screw ⑪ by hammer.

2. Assemble the part ⑫ to the wall. Align the hole in the part ⑫ with the expandable screw ⑪, use screw ⑩ to attach it and tighten by screwdriver.





**STEP18:**

3. Let the plastic belt ⑨ pass through the both part ⑫ and pull tightly.

# WARRANTY

We strive to offer high-quality products, and we also try our best to satisfy each and every customer that orders from us with product or service as needed. We provide 30 days warranty starting from the time you receive the item. Each customer must provide a record of their order such as the order number, or item receipt for any items that are out of the warranty period you may also still receive replacement parts by purchasing them with our company if they are available.

Are you having difficulty  
with assembly? Missing parts?  
Please send email with your order No to  
[customerservice@hulalahome.com](mailto:customerservice@hulalahome.com)  
For return, please check the return policy with  
the retailer or market place you bought from.

Appreciate your purchasing from us.  
Pop up your life by our furniture piece!