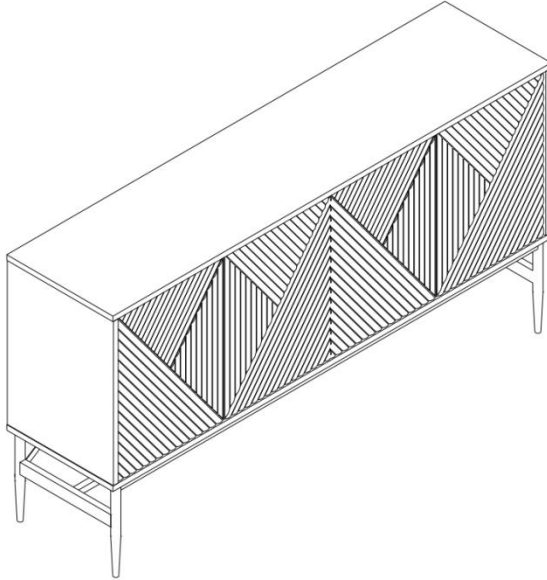
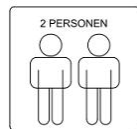


HULALA

H O M E



ITEM NO. SBHM0738



NOTE:

This brochure contains IMPORTANT safety info. Please read and keep for future reference.

MAINTAINANCE AND WARNING

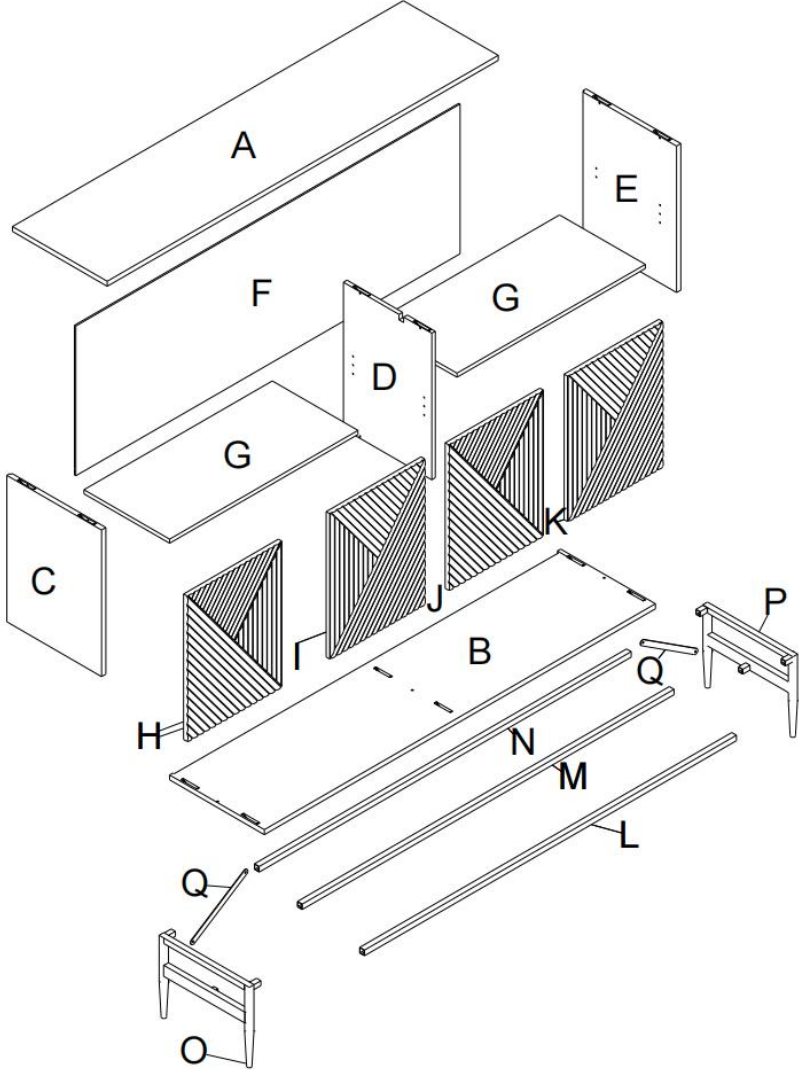
- Keep furniture away from heat.
- Do not clean furniture with harsh cleansers or polish. Do not use detergents, Solvents, abrasives, spray packs or leather cleaner. Use non-color mild soap with warm water clean spills(Mix 1:10 soap to water)
- Do not place furniture under direct sunlight, material will possibly fade over time.
- Do not use on site dry Cleaning machine.
- Children should not climb or jump on the furniture.
- Do not write on furniture without a padded barrier to protect the surface.
- Not for commercial use, For residential use only.



Weight Limitation

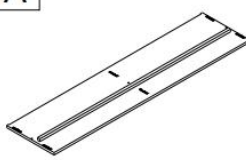
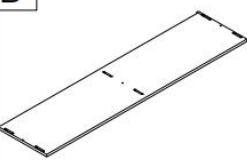
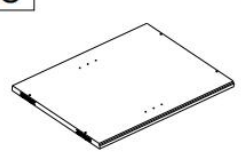
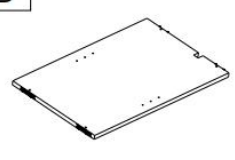
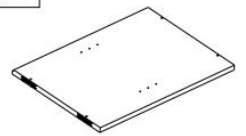
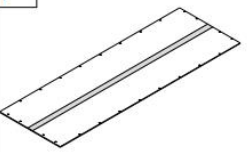
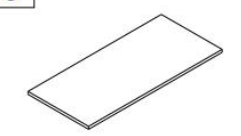

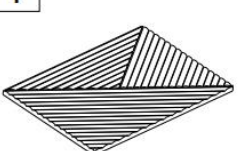
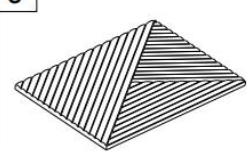
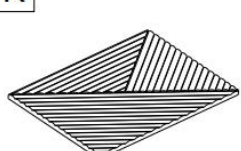



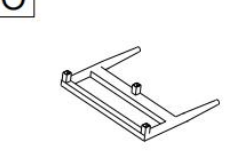
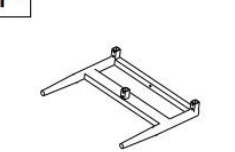

150LBS

ASSEMBLY INSTRUCTIONS






OVERVIEW

PARTS LIST



			
1 PC	1 PC	1 PC	1 PC
			
1 PC	1 PC	2 PCS	1 PC
			
1 PC	1 PC	1 PC	1 PC
			
1 PC	1 PC	1 PC	1 PC
			
2 PCS			

HARDWARE

LIST1

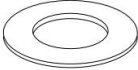





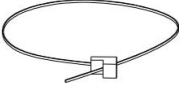


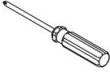

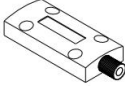

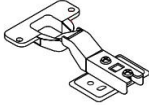
①	x52	⑫	x26	⑰	x16
					

SPARE

①	x1	⑫	x1
			

Be sure to check all packing material carefully for small parts, which may have come loose inside the carton during shipment.

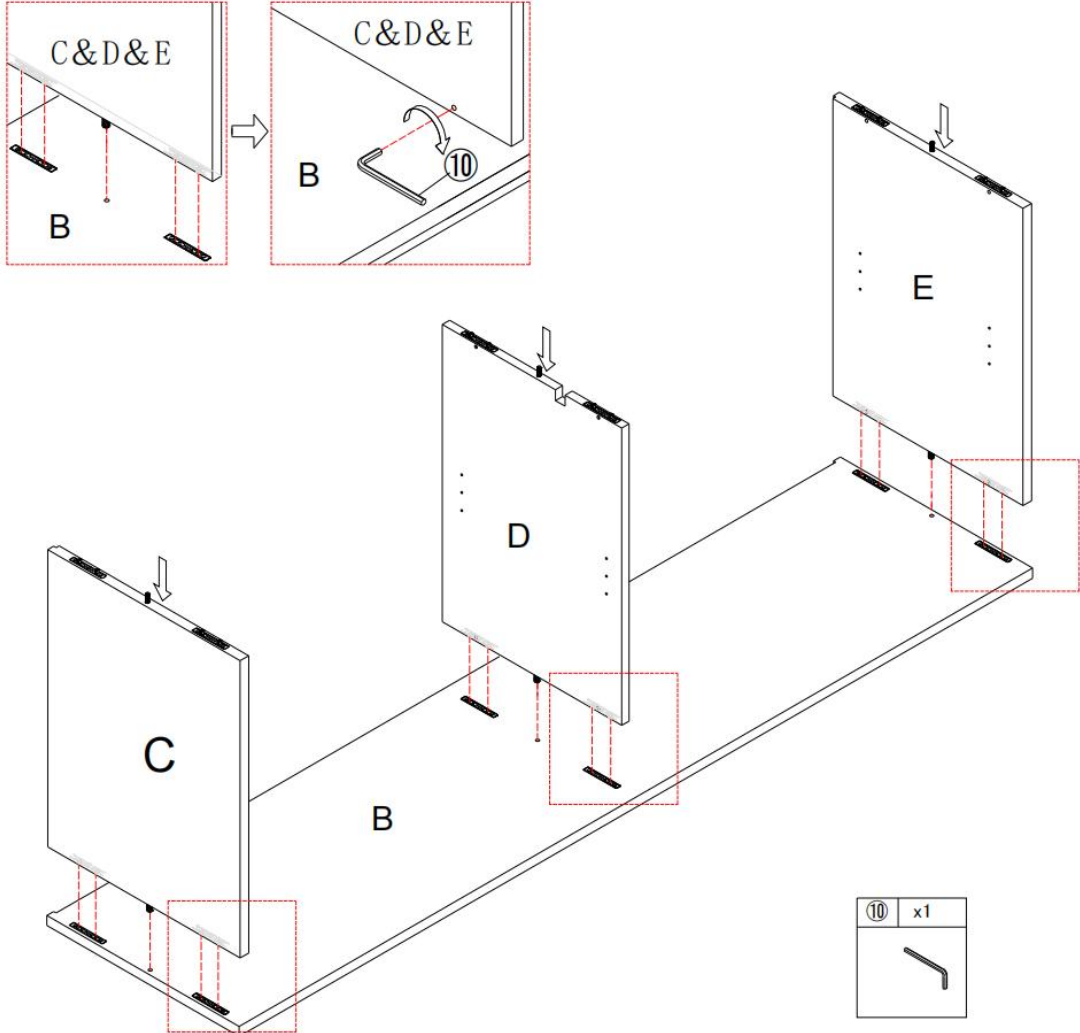
HARDWARE LIST2

②	x26	③	x26	④	x16	⑤	x8	⑥	x10
									
⑦	x4	⑧	x2	⑨	x4	⑩	x1	⑪	x1
									
⑬	x4	⑭	x4	⑮	x4	⑯	x4		
									

Be sure to check all packing material carefully for small parts, which may have come loose inside the carton during shipment.

ASSEMBLY INSTRUCTIONS

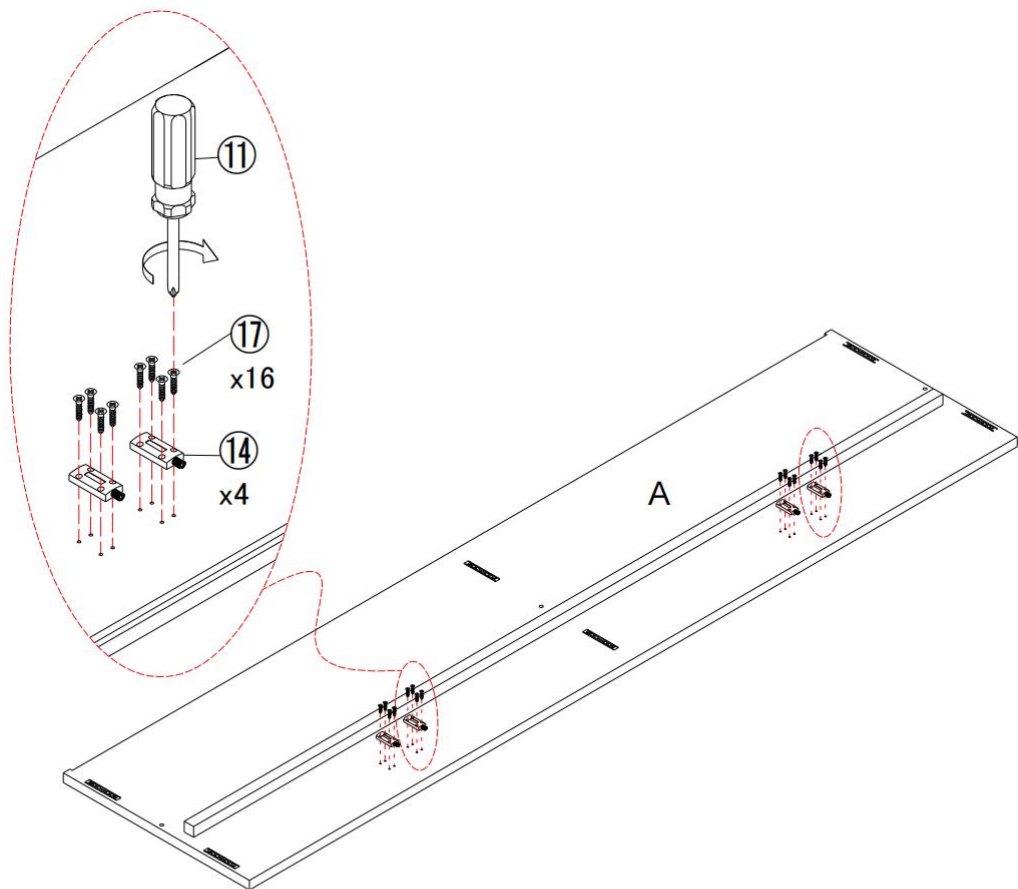
Step 1






Attach part (C)&(D)&(E) to bottom panel (B) as image, and tighten it with allen key ⑩.

ASSEMBLY INSTRUCTIONS

Step 2

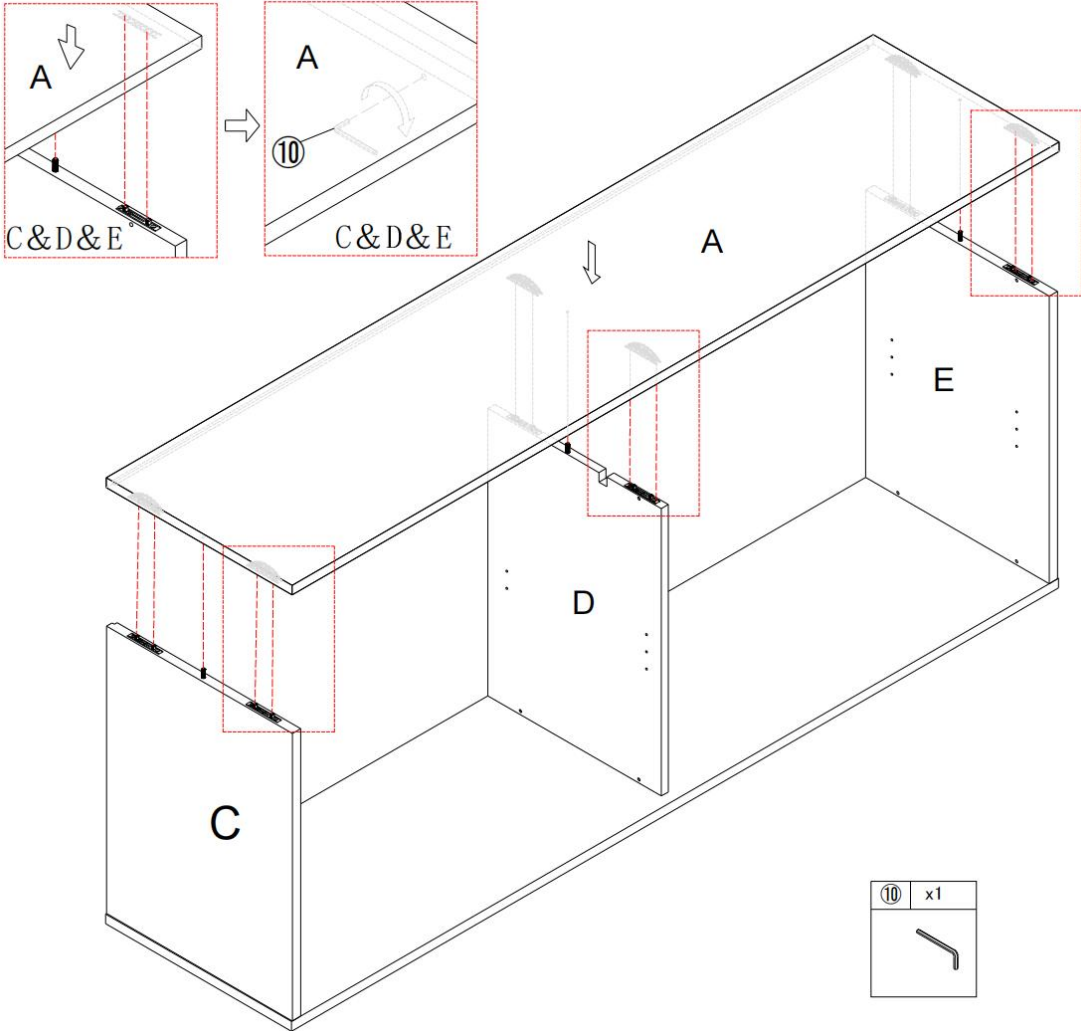


Use screw ⑰ to attach part ⑭ to panel (A), tighten it with screwdriver ⑪.

⑭	x4	⑰	x16	⑪	x1
					

ASSEMBLY INSTRUCTIONS

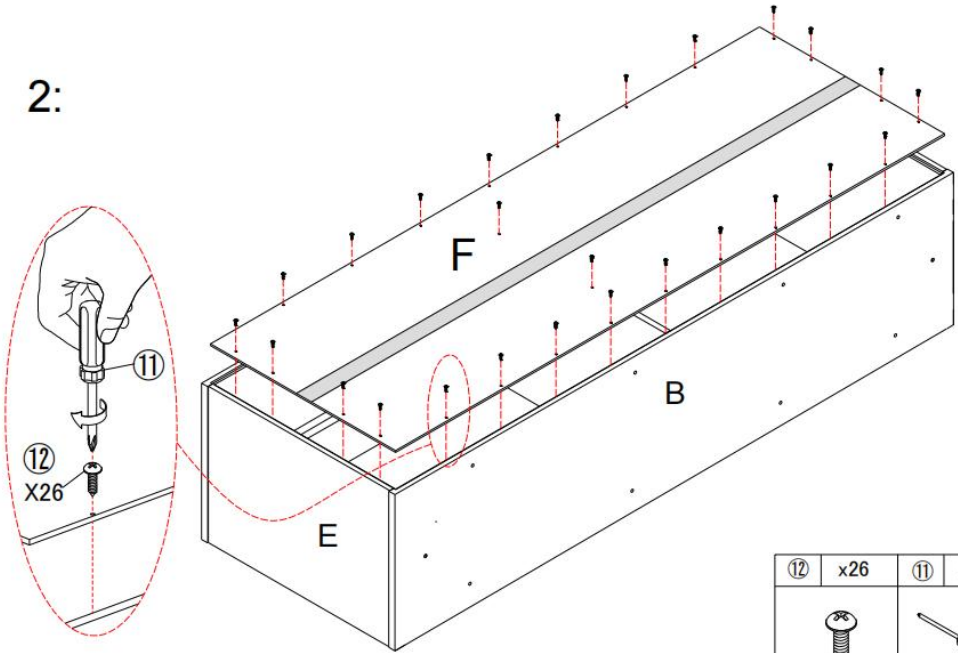
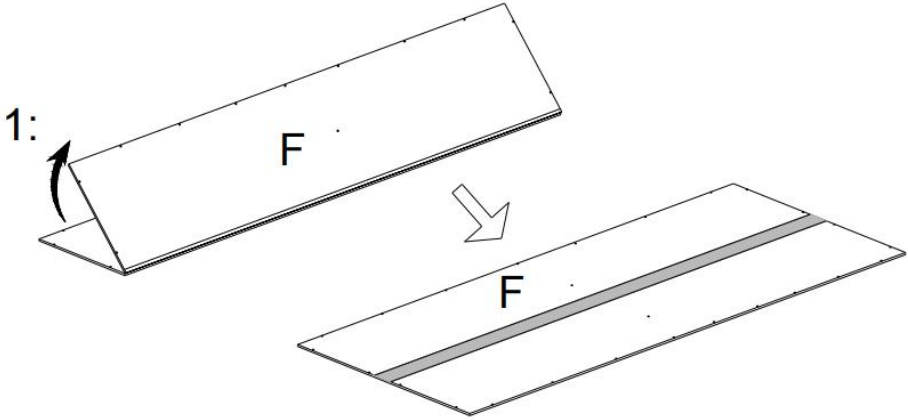
Step 3





Attach top panel (A) to preassemble unit at step 1 as image, and tighten it with allen key ⑩.

ASSEMBLY INSTRUCTIONS

Step 4



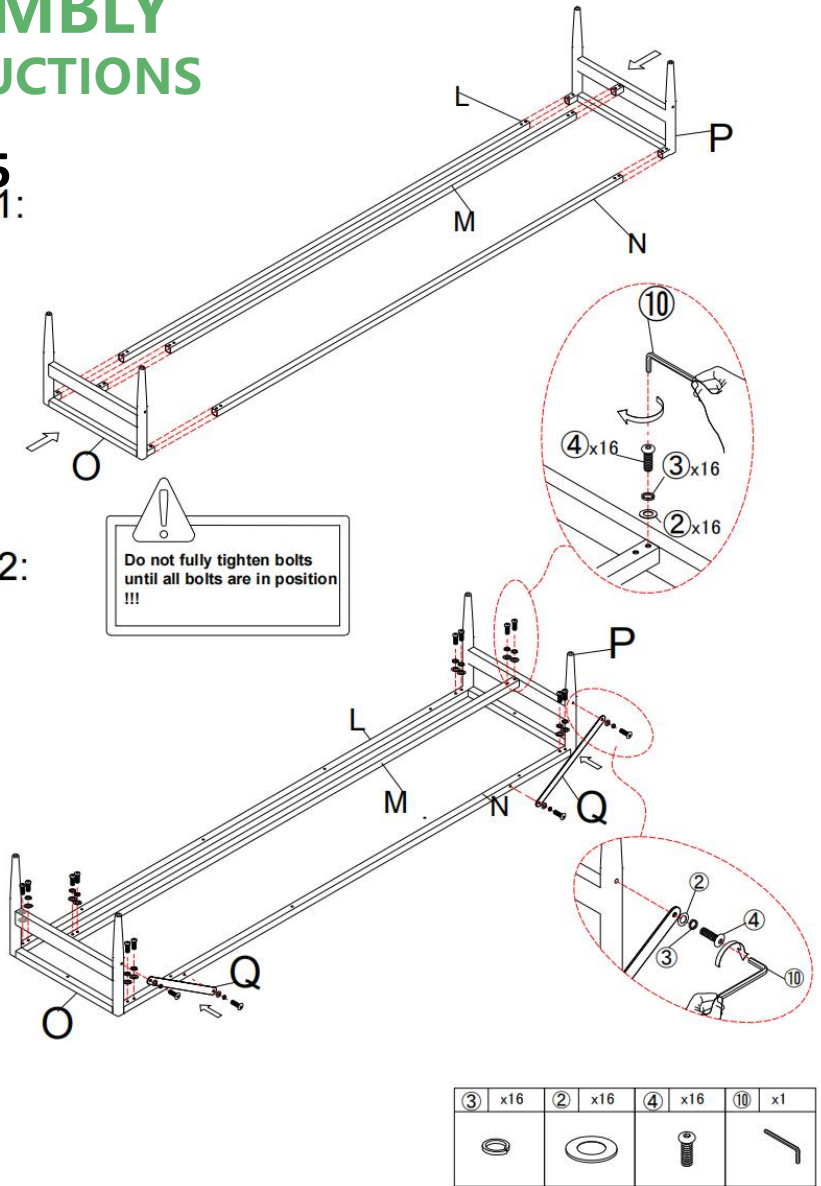
12	x26	11	x1
			

Attach back panel (F) to preassemble unit at step 3 with screw 12, and tighten it with screwdriver 11.

ASSEMBLY INSTRUCTIONS

Step 5₁:

2:

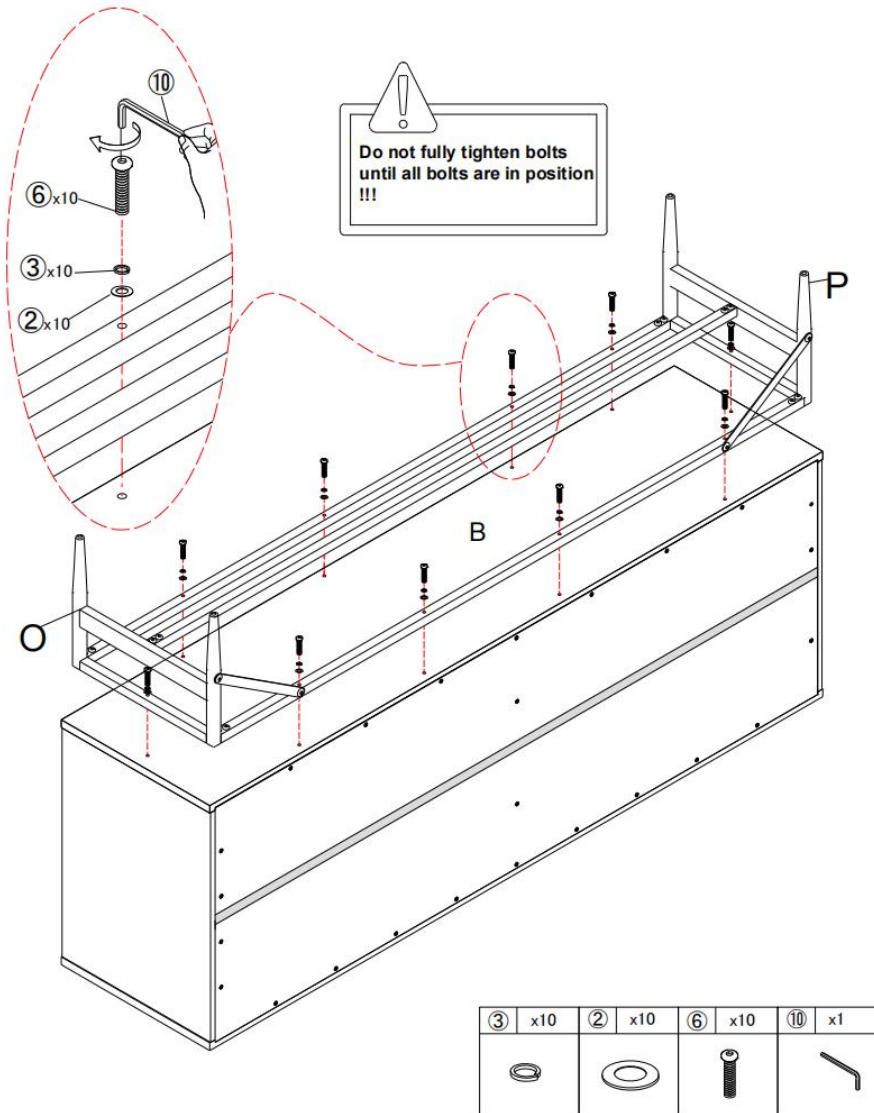


1. Insert part (L)&(M)&(N) into part (P)&(O), use plat washer ②, spring washer ③ and bolt ④ to attach part (P)&(O) to part (L)&(M)&(N), make sure all holes aligned and tighten all bolts with allen key ⑩.

2. Use plat washer ②, spring washer ③ and bolt ④ to attach part (Q) to the preassembled unit at step 5.1, tighten bolt ④ with allen key ⑩.

ASSEMBLY INSTRUCTIONS

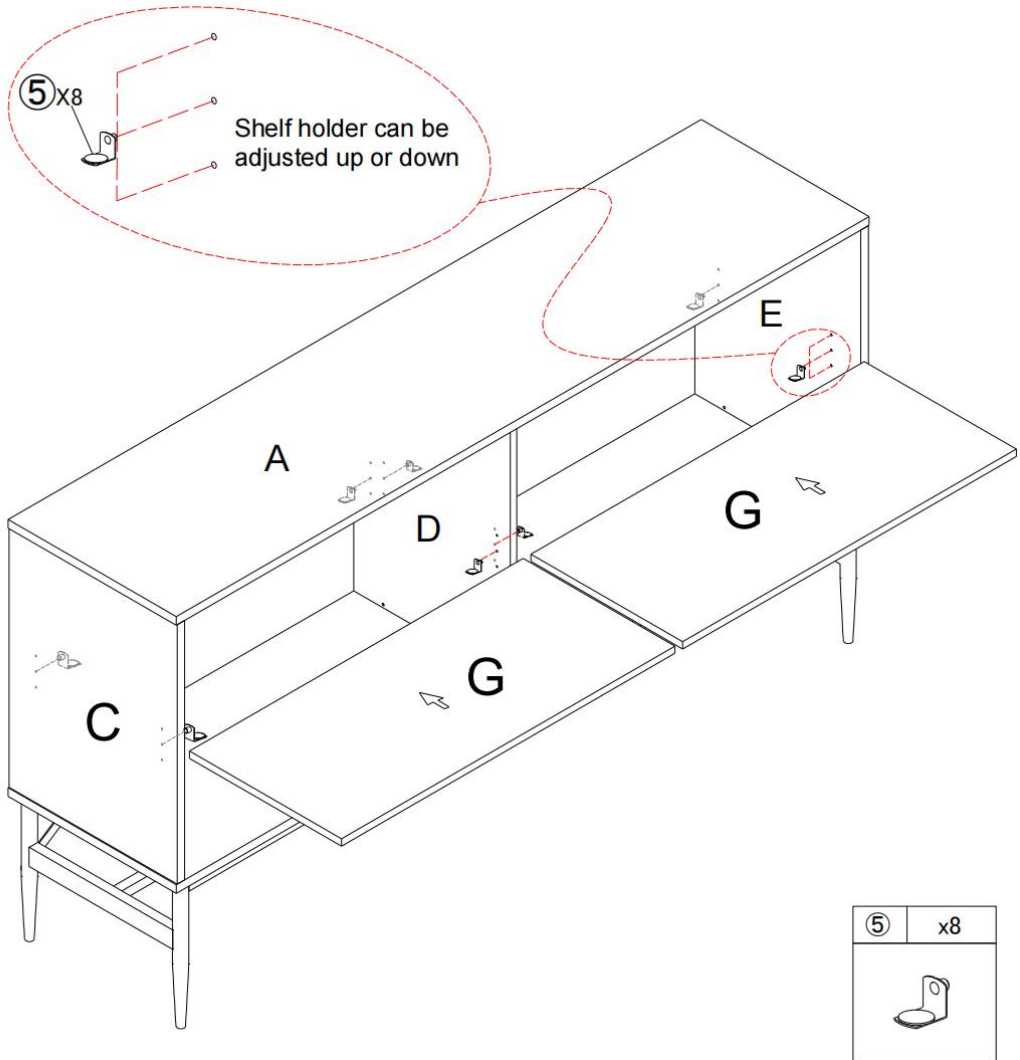
Step 6



Use flat washer ②, spring washer ③ and bolt ⑥ to attach the preassembly unit at step 5 to the preassembly unit at step 4, make sure all holes aligned and tighten all bolts with allen key ⑩.

ASSEMBLY INSTRUCTIONS

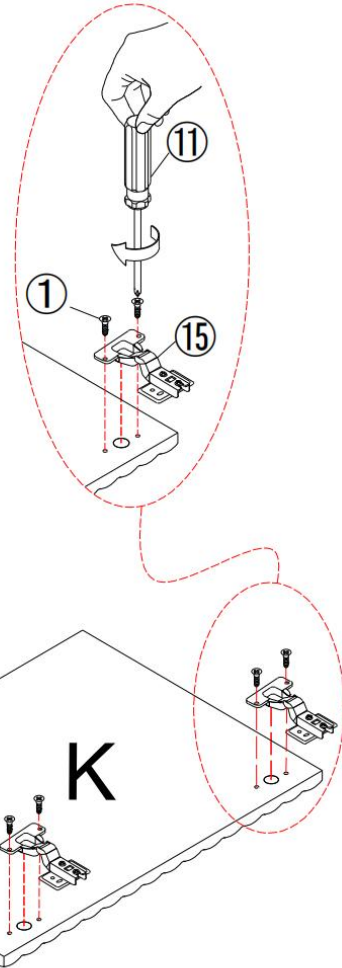
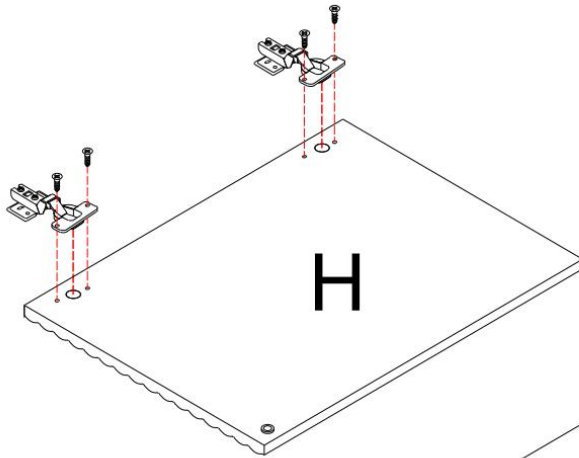
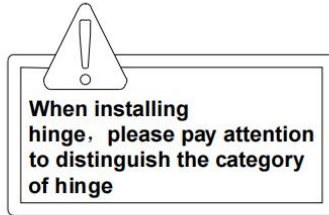
Step 7






Insert shelf pin (5) into preassemble unit at step 6, and attach adjustable shelf (G) to it.

ASSEMBLY INSTRUCTIONS

Step 8

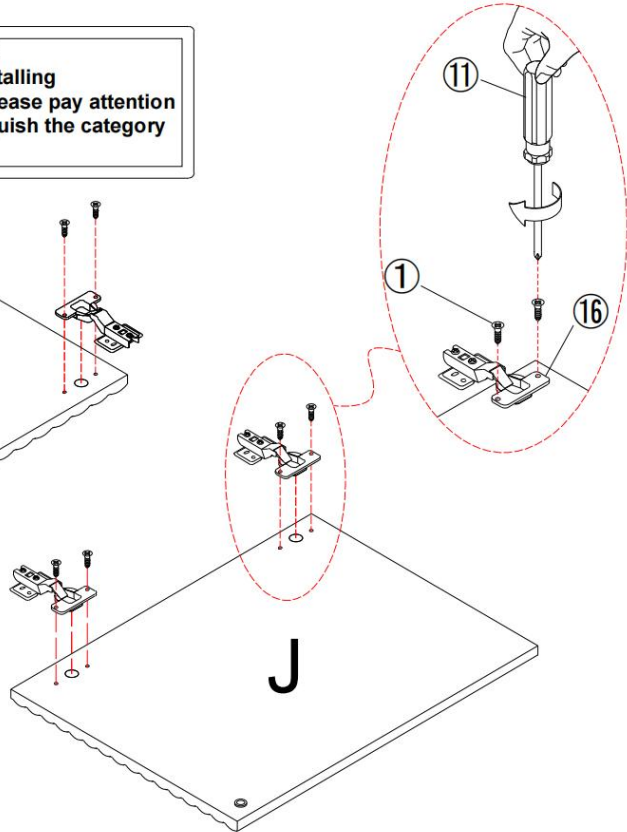
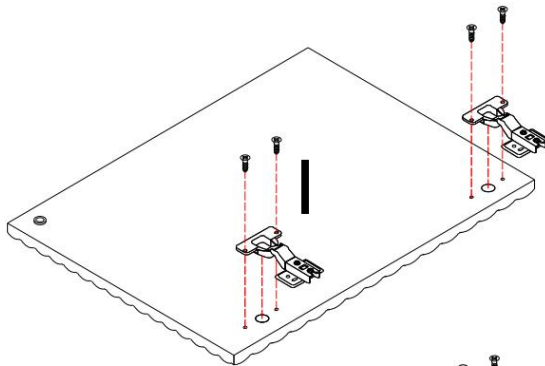
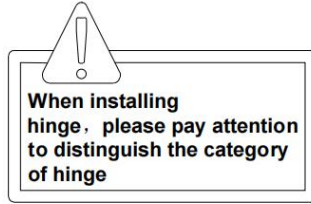





⑮	x4	①	x16	⑪	x1
					

Use screw ① to attach the hinges ⑮ to door panel (H)&(K), tighten screws with screwdriver ⑪.

ASSEMBLY INSTRUCTIONS

Step 9

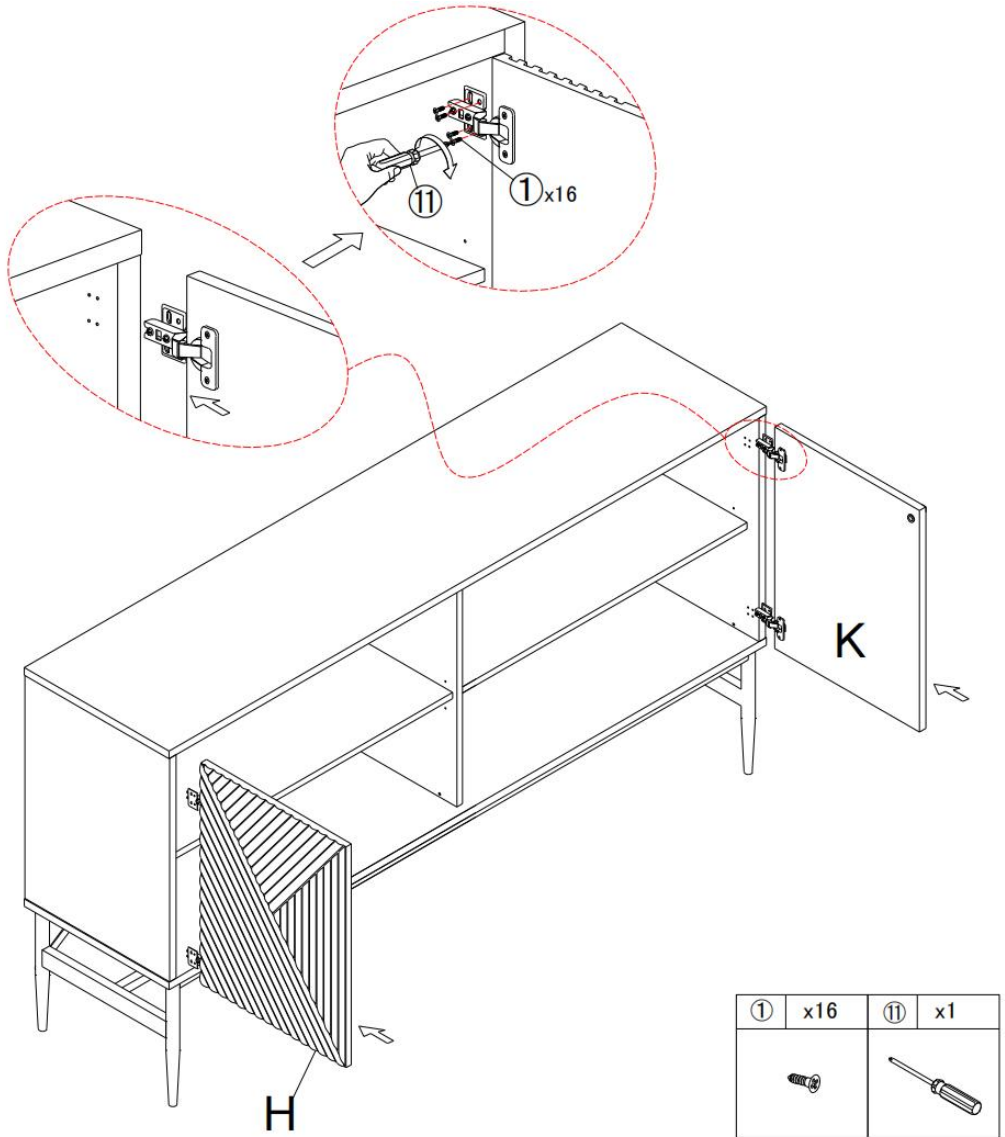


⑩	x4	①	x16	⑪	x1
					

Use screw ① to attach the hinges ⑩ to door panel (J)&(I), tighten screws with screwdriver ⑪.

ASSEMBLY INSTRUCTIONS

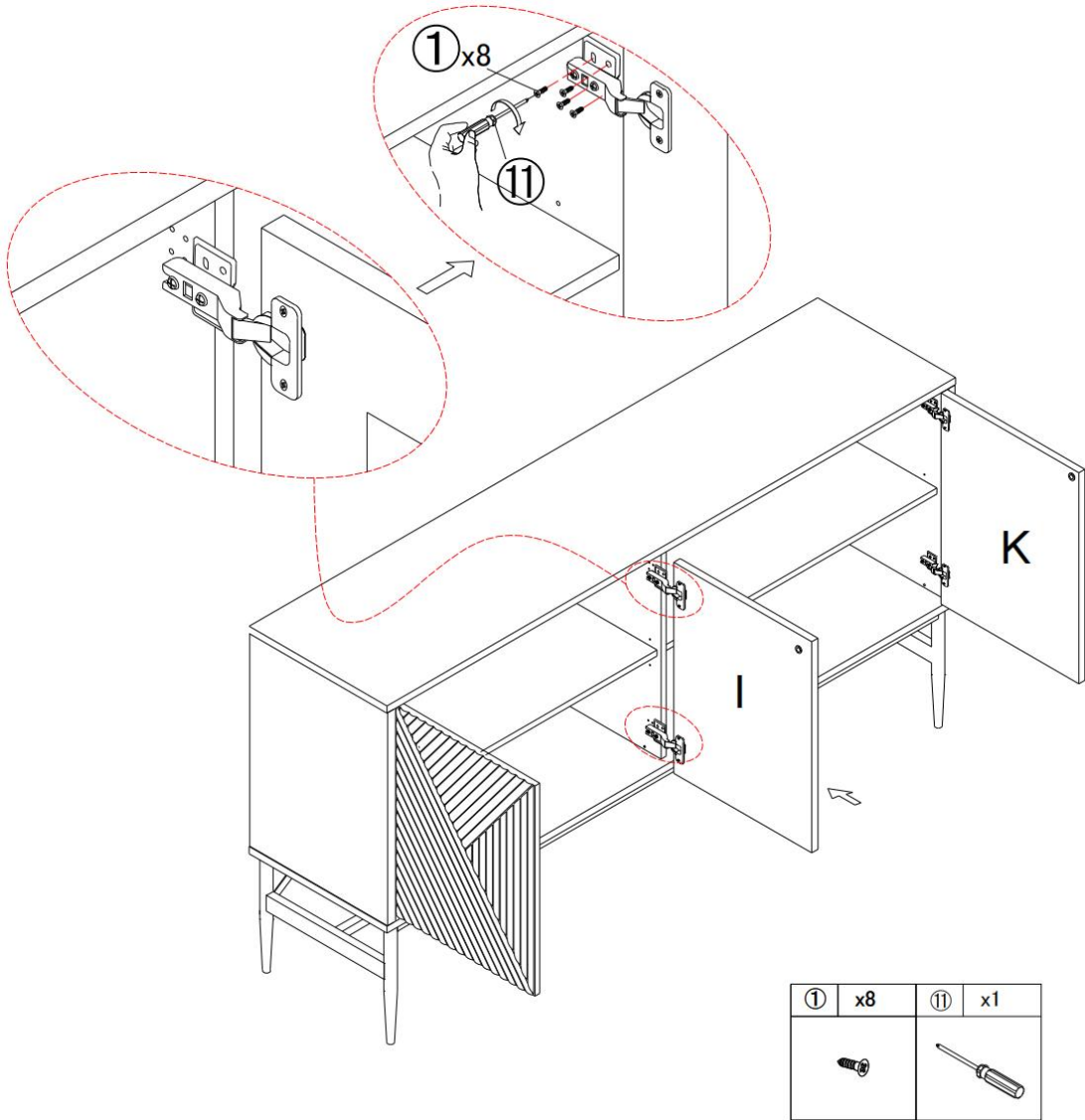
Step 10



Use screw ① to attach left door (H) and right door (K) to preassemble unit at step 7 , tighten screw with screwdriver ⑪ .

ASSEMBLY INSTRUCTIONS

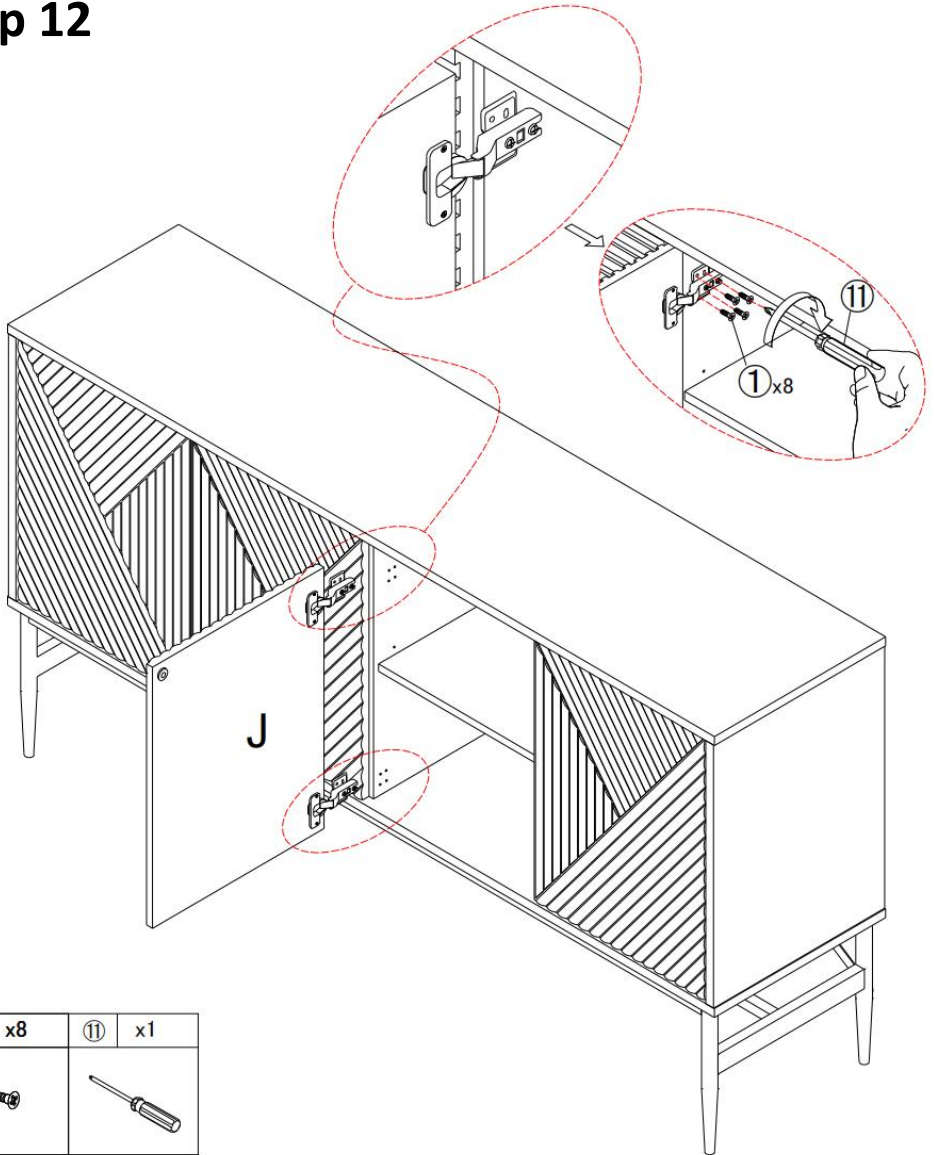
Step 11



Use screw ① to attach middle door (I) to preassemble unit at step 10, tighten screw with screwdriver ⑪ .

ASSEMBLY INSTRUCTIONS

Step 12



Use screw ① to attach middle door (J) to preassemble unit at step 11 , tighten screw with screwdriver ⑪ .

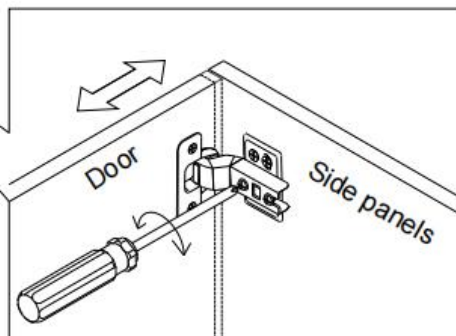
ASSEMBLY INSTRUCTIONS

Step 13

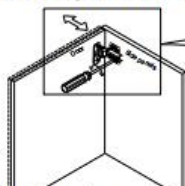
Concealed hinges are three-way adjustable:



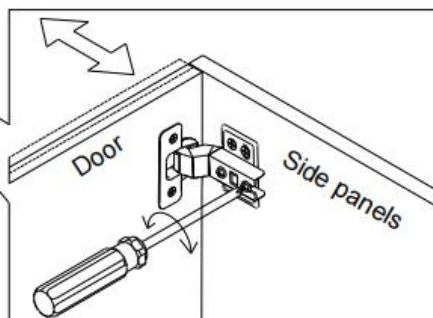
Horizontal
by screw adjustment!



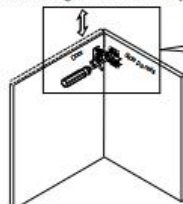
Concealed hinges are three-way adjustable:



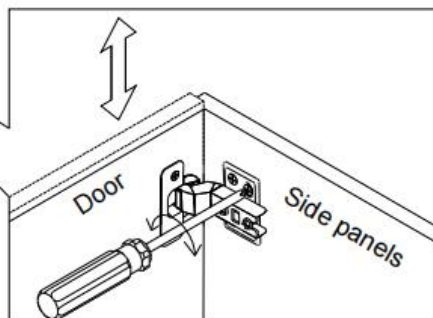
In-and-out
by loosening the hinge arm
mounting screw or via cam
adjustment!



Concealed hinges are three-way adjustable:



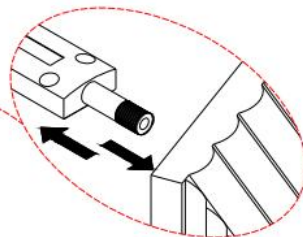
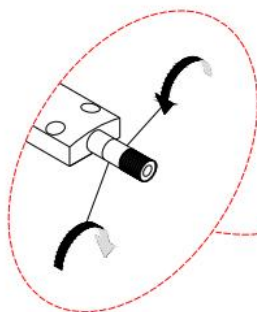
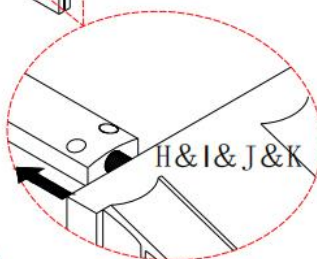
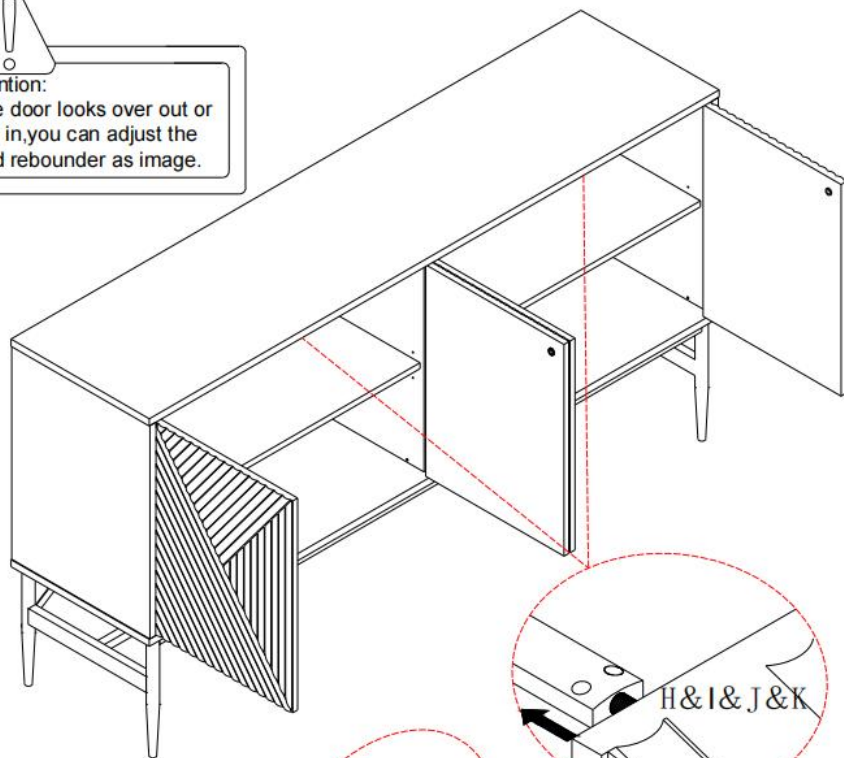
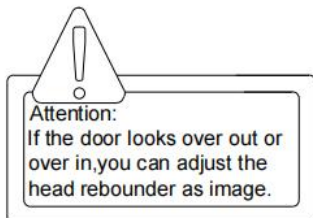
Vertical via slots in
the mounting plate
or via cam adjustment!



Hinge adjustment method

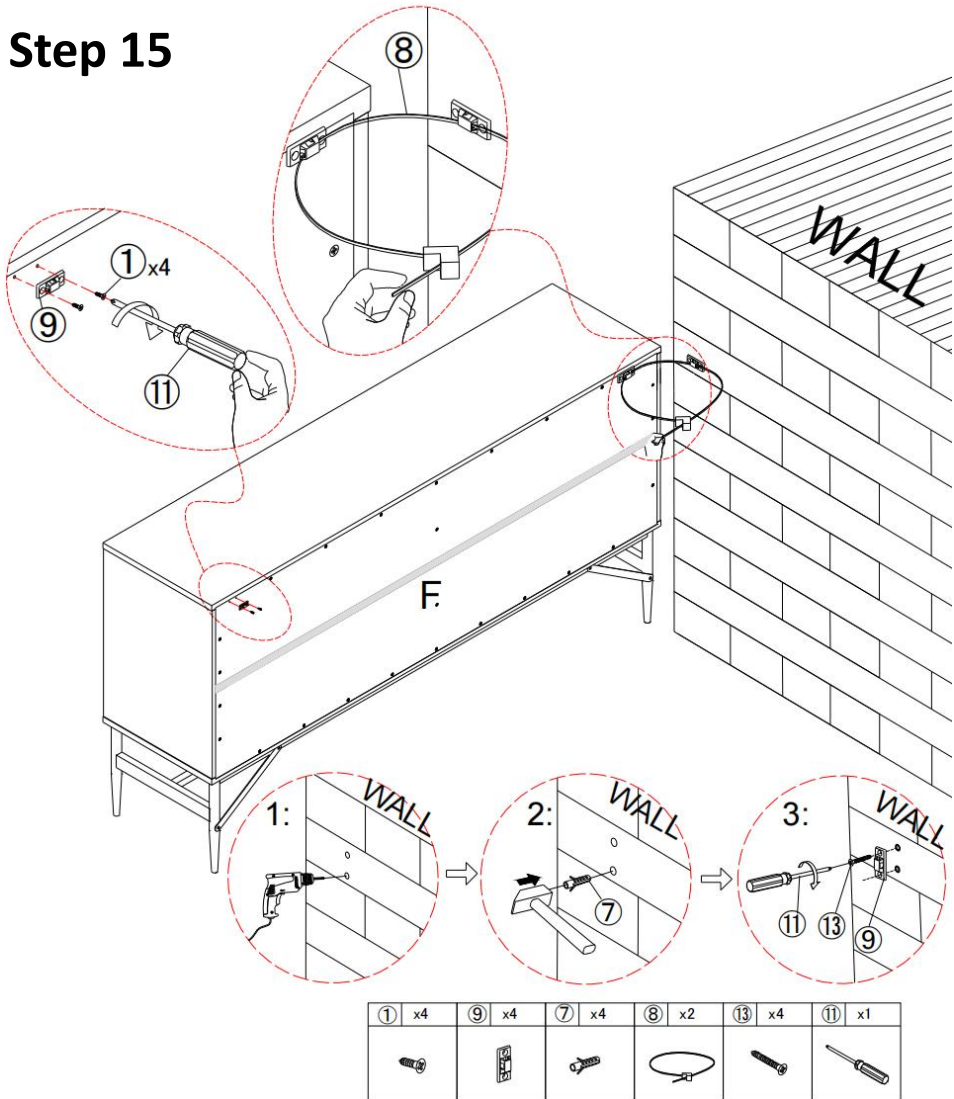
ASSEMBLY INSTRUCTIONS

Step 14



ASSEMBLY INSTRUCTIONS

Step 15



Install the anti-collapse device.

1. Mark the position on the wall, that corresponds to the location of part ⑨ on the back of panel F; Drill and insert the expandable screw ⑦ by hammer.
2. Assemble the part ⑨ to the wall. Align the hole in the part ⑨ with the expandable screw ⑦, use screw ⑬ to attach it and tighten by screwdriver.
3. Let the plastic belt ⑧ pass through the both part ⑨ and pull tightly.

WARRANTY

We strive to offer high-quality products, and we also try our best to satisfy each and every customer that orders from us with product or service as needed. We provide 30 days warranty starting from the time you receive the item. Each customer must provide a record of their order such as the order number, or item receipt for any items that are out of the warranty period you may also still receive replacement parts by purchasing them with our company if they are available.

**Are you having difficulty
with assembly? Missing parts?**

**Please send email with your order No to
customerservice@hulalahome.com**

**For return, please check the return policy with
the retailer or market place you bought from.**

**Appreciate your purchasing from us.
Pop up your life by our furniture piece!**