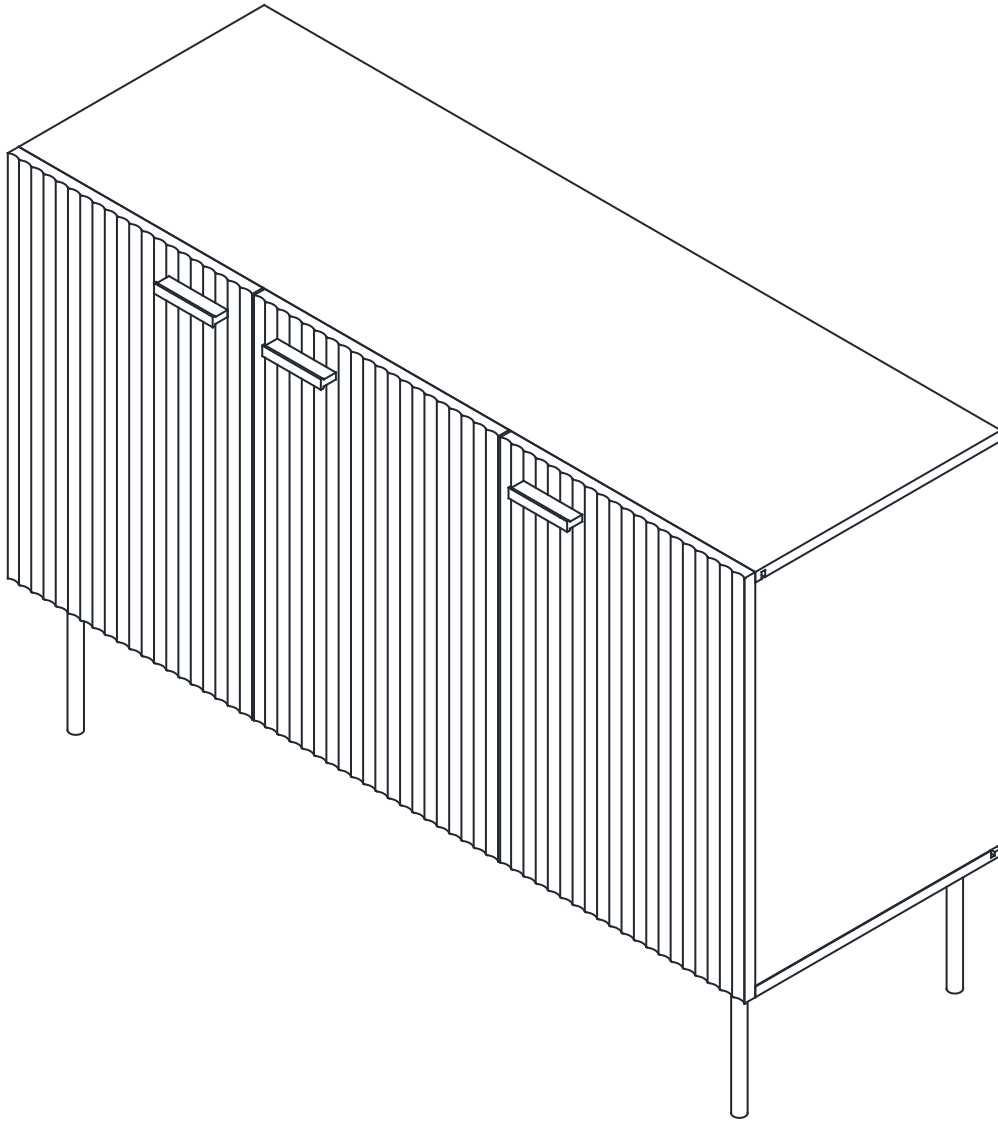
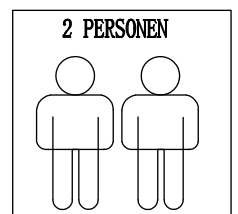


HULALA
H O M E



ITEM NO. SCBSD0532



NOTE:

This brochure contains IMPORTANT safety info. Please read and keep it for future reference.

MAINTAINANCE

AND WARNING

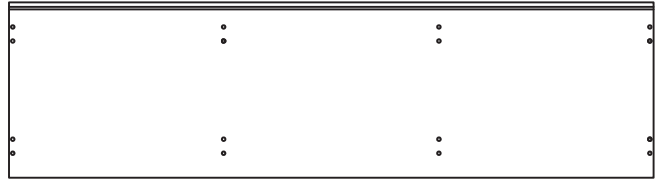
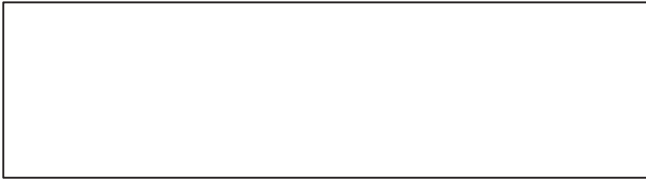
- Keep furniture away from heat sources.
- Do not clean furniture with harsh cleaner or polishes. Do not use detergents, Solvents, abrasives, spray packs or leather cleaner. Use non-color mild soap with warm water to clean spills(Mix 1:10 soap to water)
- Do not place furniture under direct sunlight, material will possibly fade over time.
- Do not use on site dry Cleaning machine.
- Children should not climb or jump on the furniture.
- Do not write on furniture that is not protected by a padded barrier .
- Not for commercial use, only for residential use .



Weight Limitation

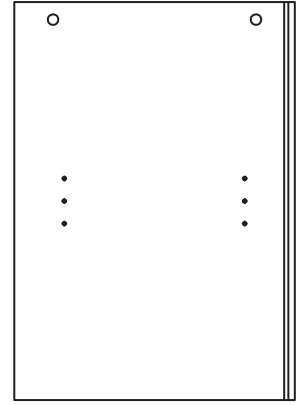
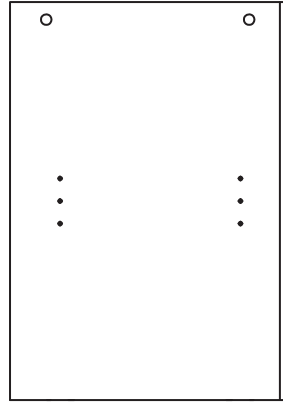
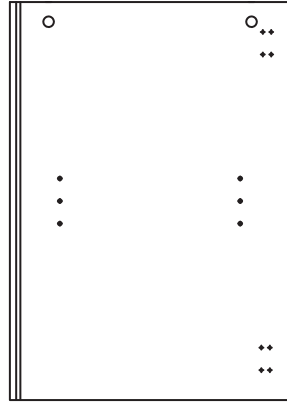
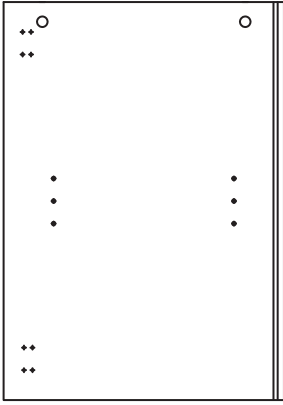
70LBS

PARTS LIST



① x1

② x1

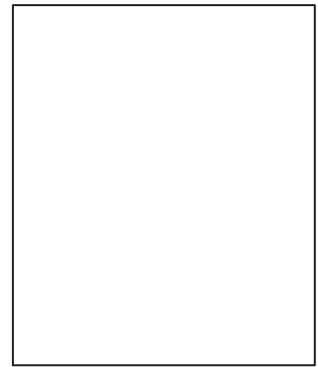
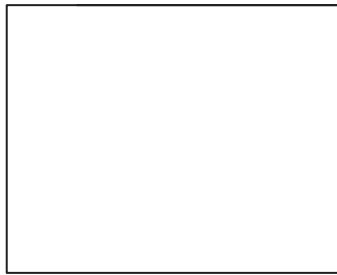
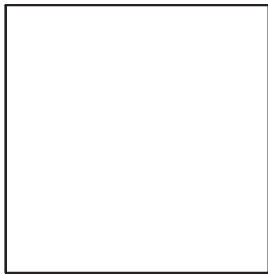


③ x1

④ x1

⑤ x1

⑥ x1

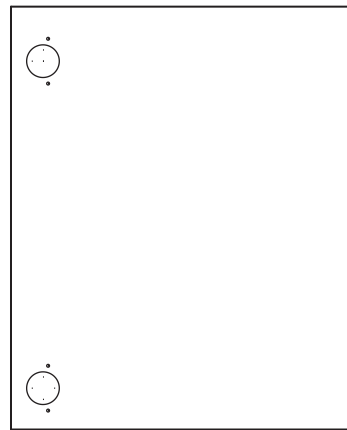
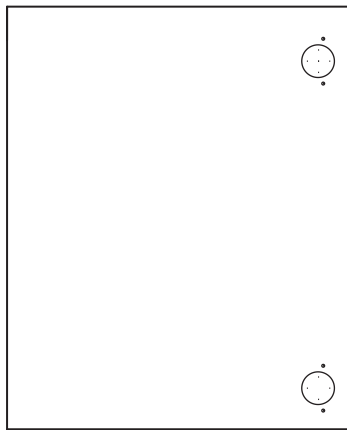


⑦ x2

⑧ x1

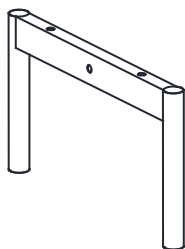
⑨ x2

⑩ x1



⑪ x1

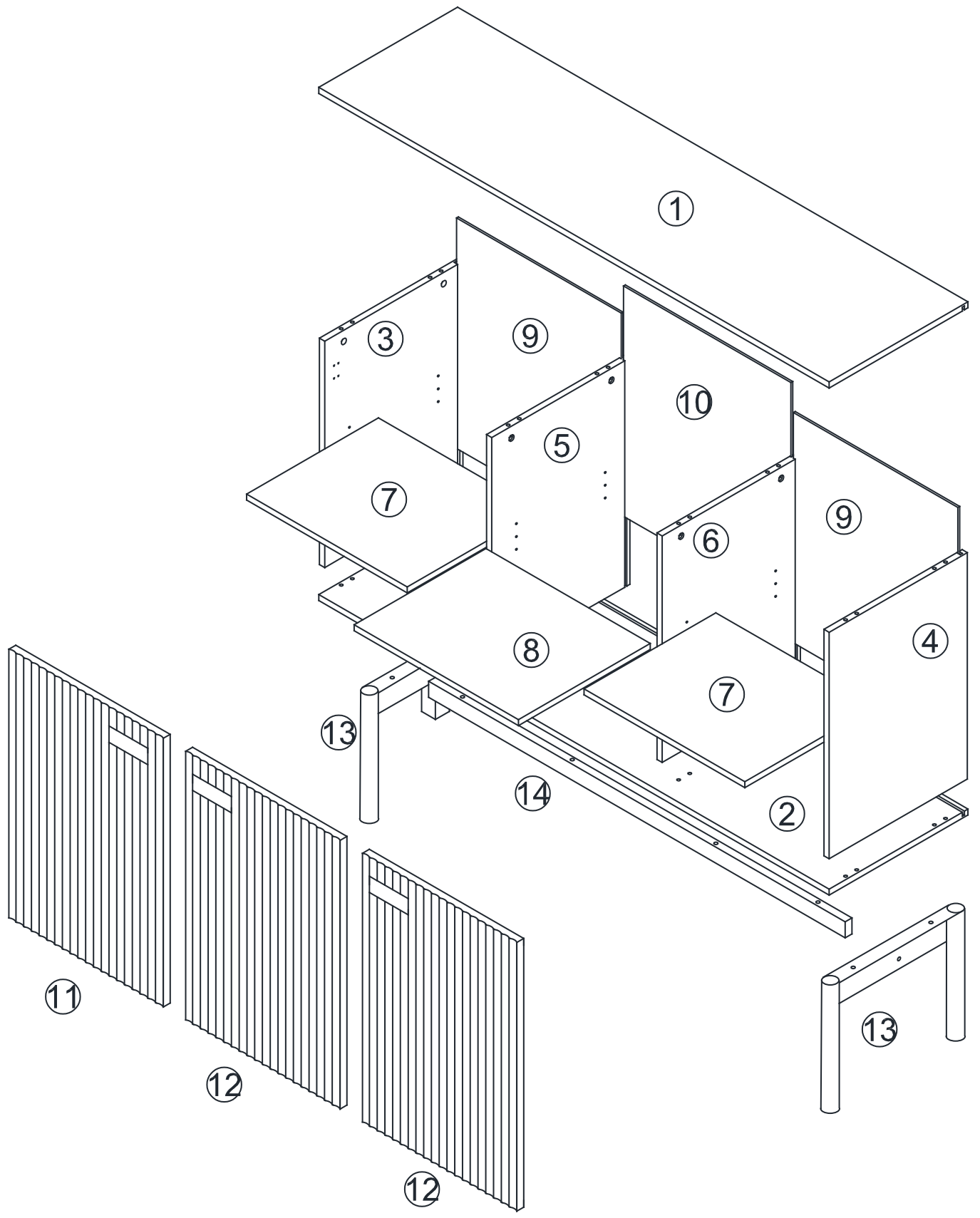
⑫ x2



⑬ x2




















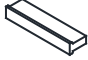


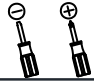
⑭ x1










Explosive View

HARDWARE

LIST

A	x8	B	x8	C	x8	D	x16	E	x58	F	x4	G	x2	H	x18	
																
M6*35mm		Ø 15mm		M7*50mm		Ø8*30mm		Ø3.5*14mm								
I	x12	J	x8	K	x1	L	x4	M	x4	N	x2	O	x4	P	x8	
																
				M4		Ø4*35mm								M6*50mm		
Q	x2	R	x3	S	x6	T	x8	U	x1							
																
M6*35mm				M4*18mm		Ø13										

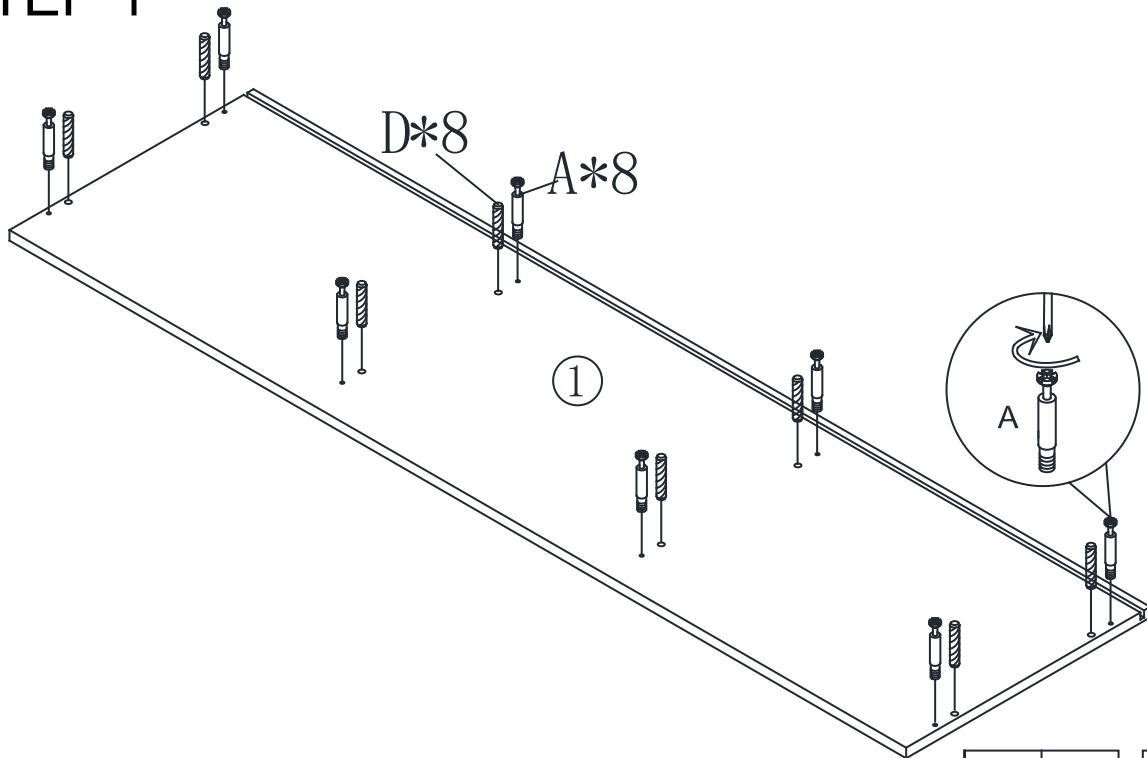
SPARE

A	x1	C	x1	E	x5	L	x1	P	x1	Q	x1
											
M6*35mm		M7*50mm		Ø3.5*14mm		Ø4*35mm		M6*50mm		M6*35mm	
S	x1										
											
M4*18mm											



Be sure to inspect all packing material carefully for small parts, that may have come loose inside the carton during shipment.

ASSEMBLY INSTRUCTIONS

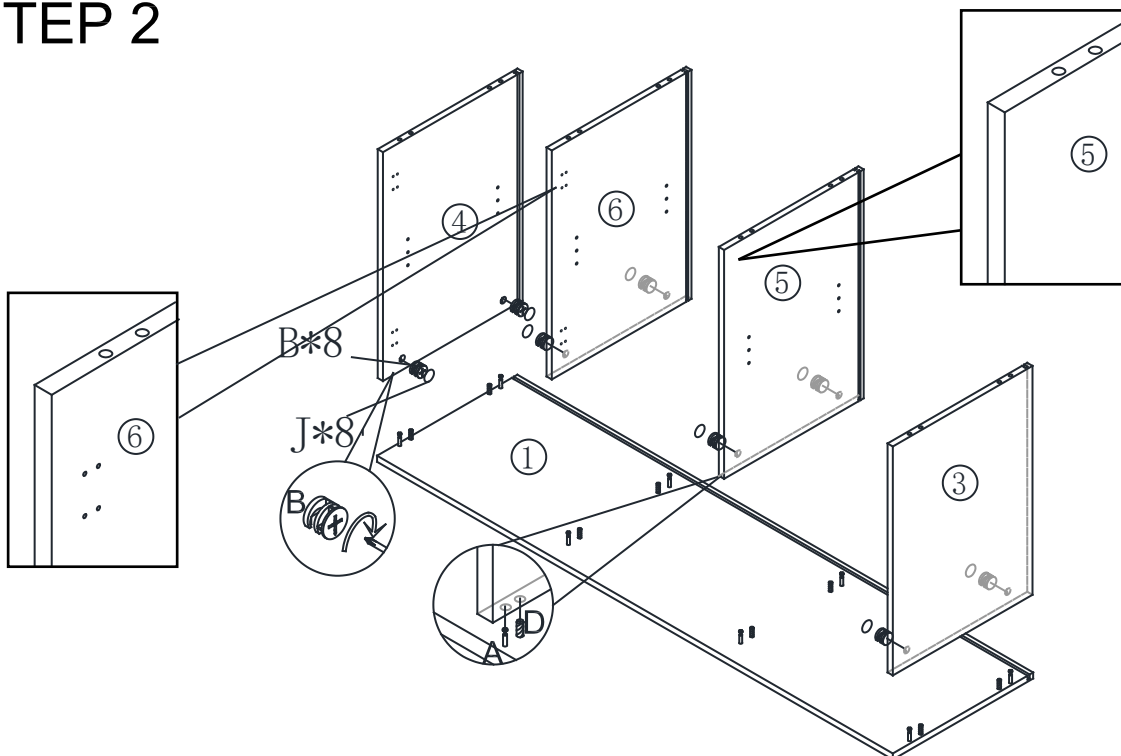
STEP 1



Insert the wood dowel D into the holes of panel 1, then attach the cam bolt A to panel 1 by screwdriver.

A	x8	D	x8
			
M6*35mm		Ø8*30mm	

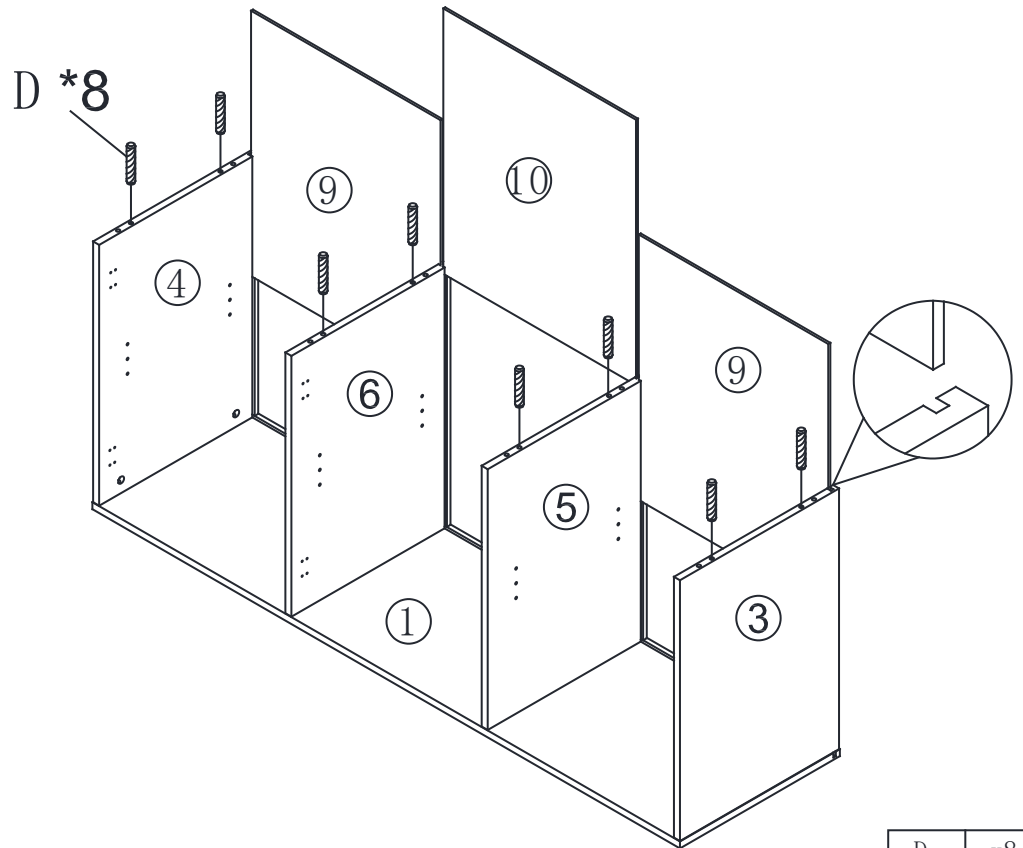
STEP 2




Use the screwdriver and cam lock B to connect panel 3,4, 5,6 with panel 1, make sure all holes aligned and tighten all bolts to secure. Then stick the part J on all bolts holes.

J	x8	B	x8
			
		Ø15mm	

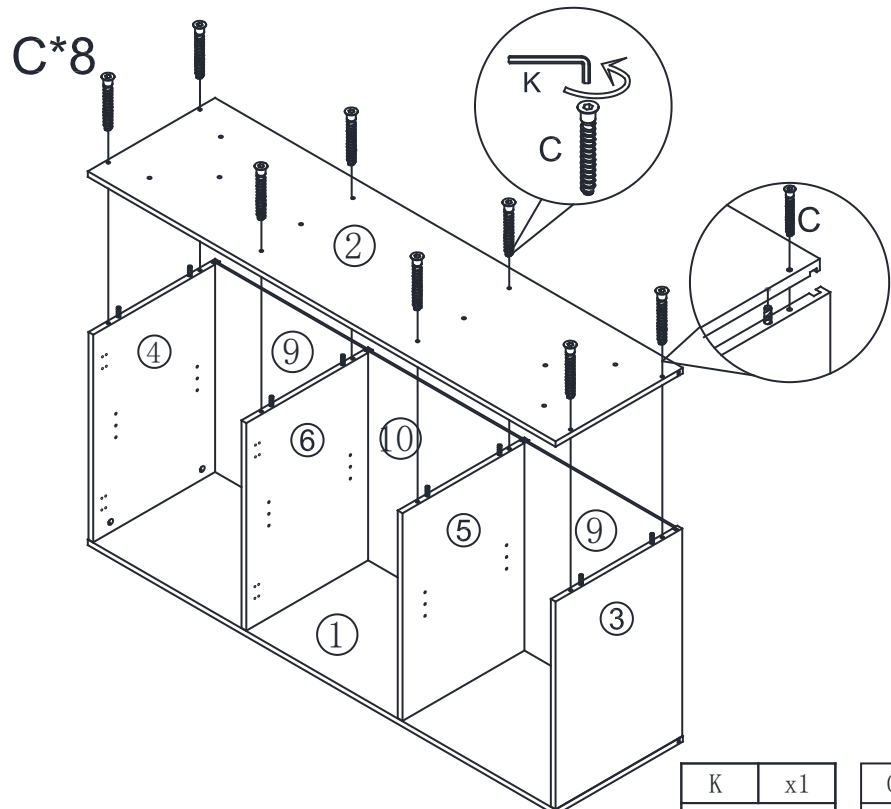
STEP 3




Carefully align and slide the back panel 9 & 10 into the groove along rear edge of pre-assembled unit in step 2, insert the wood dowel D into the holes of panel 3,4,5,6.


D	x8
	
Ø 8*30mm	

STEP 4

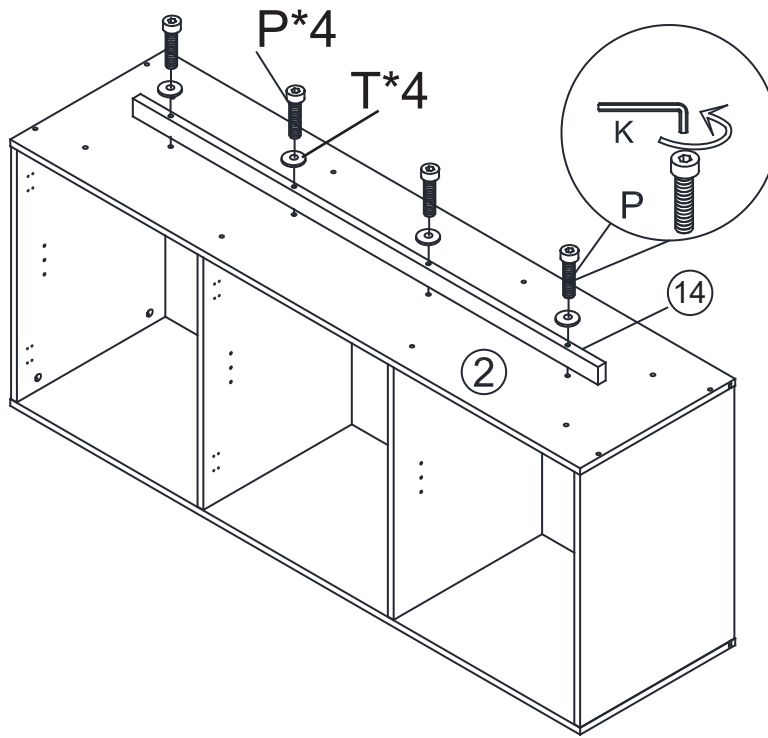


Use the allen key K and bolt C attach the assembled step 3 with panel 2, make sure all holes aligned and tighten all bolts to secure.


K	x1
	
M 4	


C	x8
	
M 7*50mm	


STEP 5



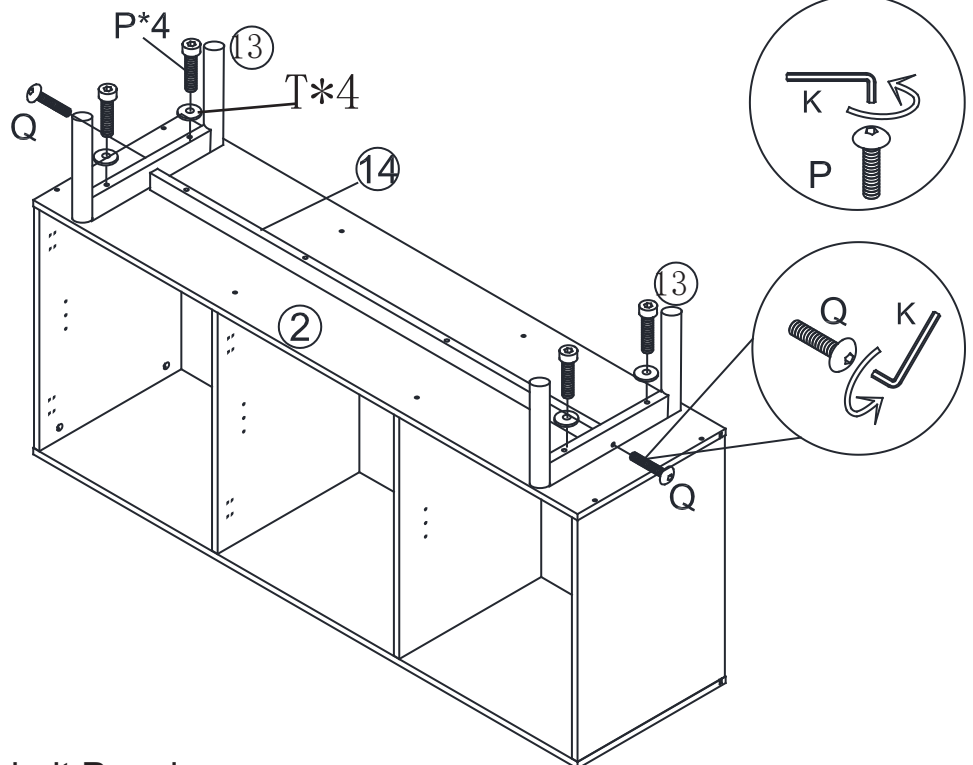
Use the allen key K, bolt P and flat washer T to connect stretcher 14 with panel 2, make sure all holes aligned and do not tighten all bolts until step 6.

T	x4
	
Ø13	


K	x1
	
M4	


P	x4
	
M6*50mm	


STEP 6




Use the allen key K, bolt Q, bolt P and flat washer T to connect the stretcher 14 with the left & right leg 13, make sure all holes aligned and tighten all bolts to secure.

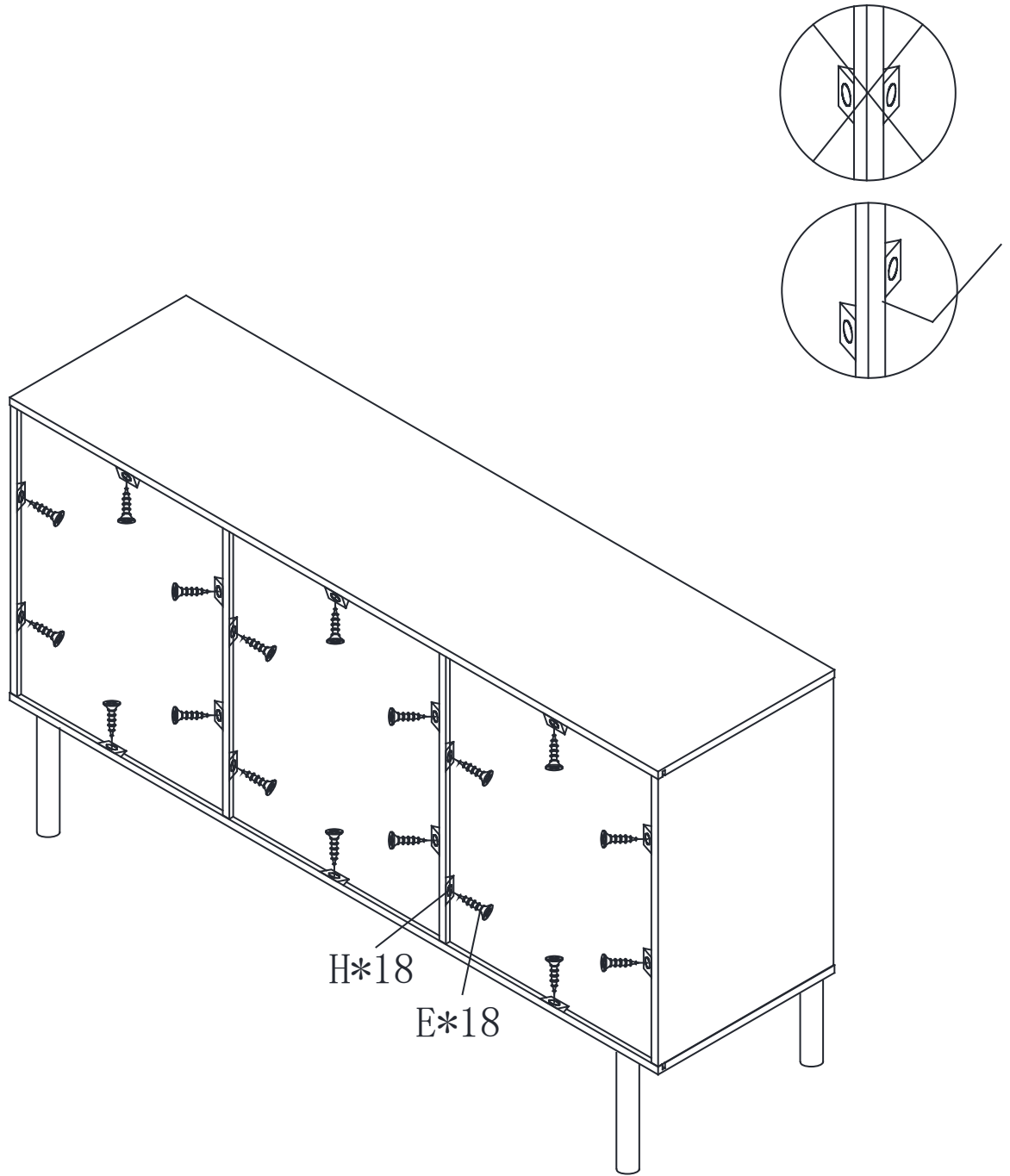
T	x4
	
Ø13	

K	x1
	
M4	

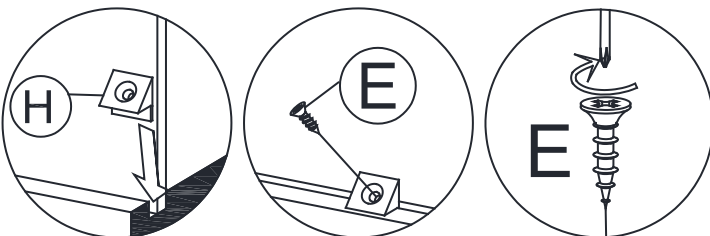
Q	x2
	
M6*35mm	



P	x4
	
M6*50mm	

STEP 7

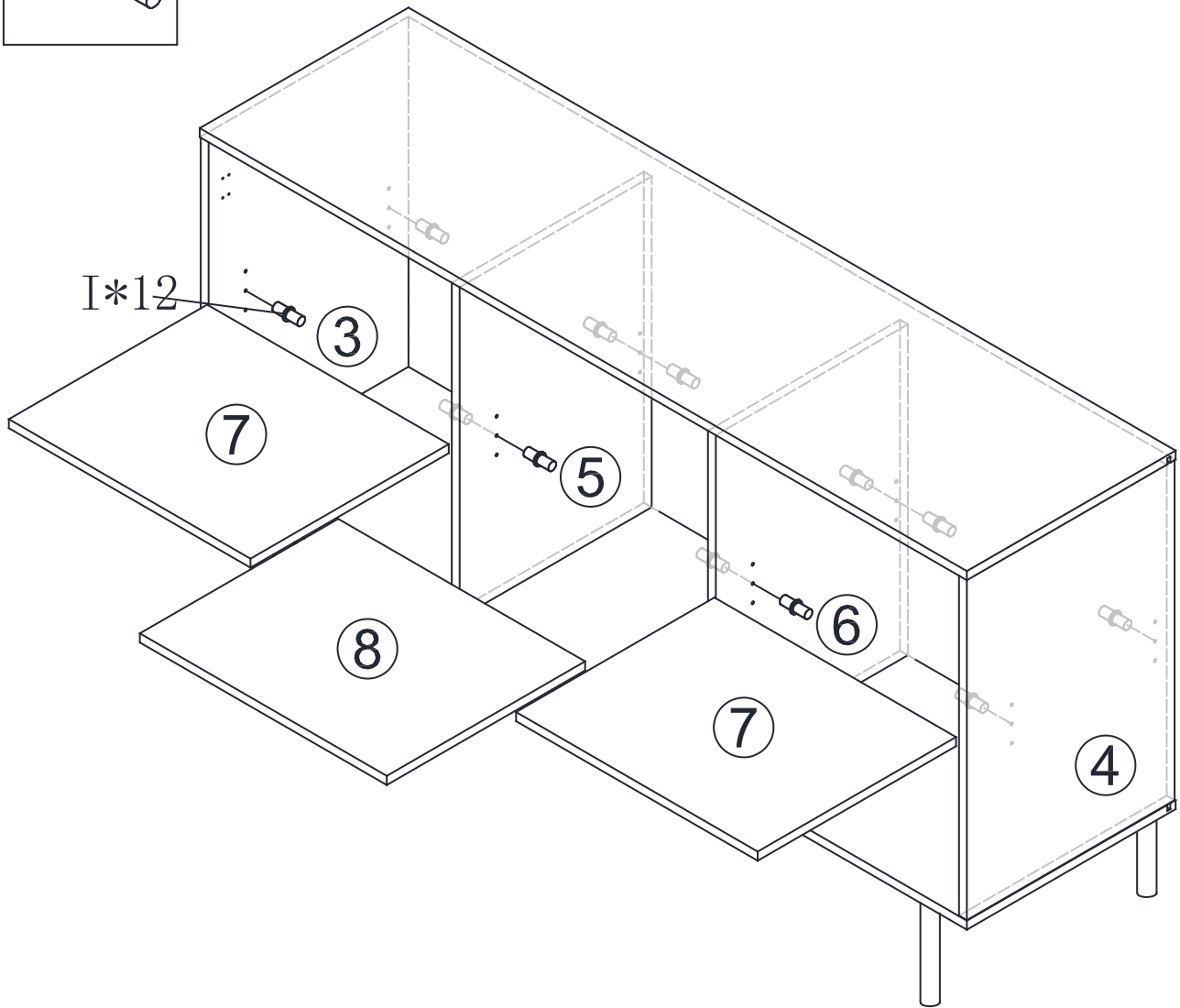
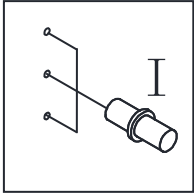


Use the screwdriver, screw E and plastic buckle H to connect the back panel with all side panel & top panel, vertical partition panel, bottom panel. Then fasten all screws to secure.



E	x18	H	x18
			
Ø 3.5*14mm			

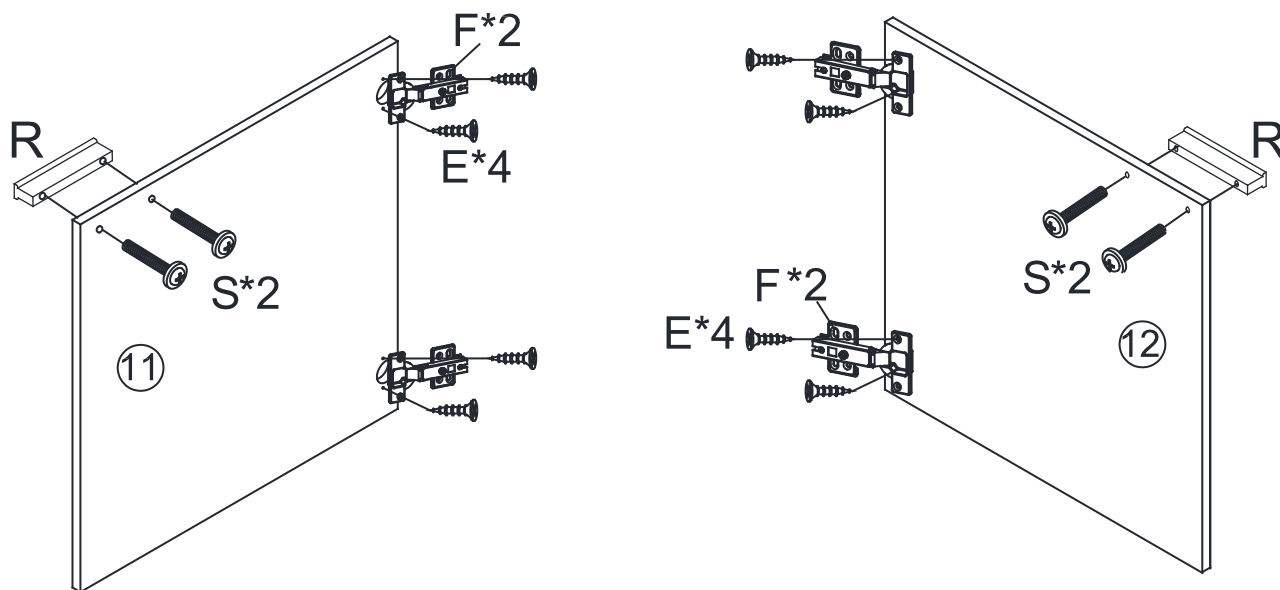
STEP 8



Place shelf holders I into the desired position and then slide adjustable shelves 7 & 8 into place.

I	x12

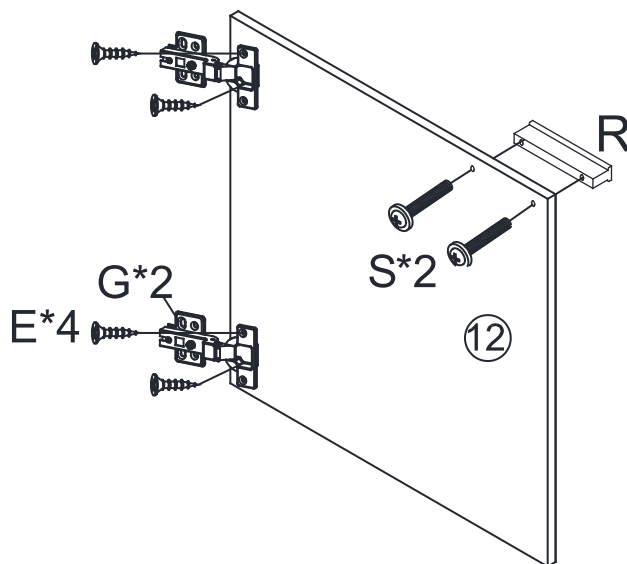
STEP 9



Use the screwdriver, bolt S and screw E to connect knob R & concealed hinges F with the panel 11&12.

R	x2	S	x4	E	x8	F	x4
		M4*18mm		Ø3.5*14mm			

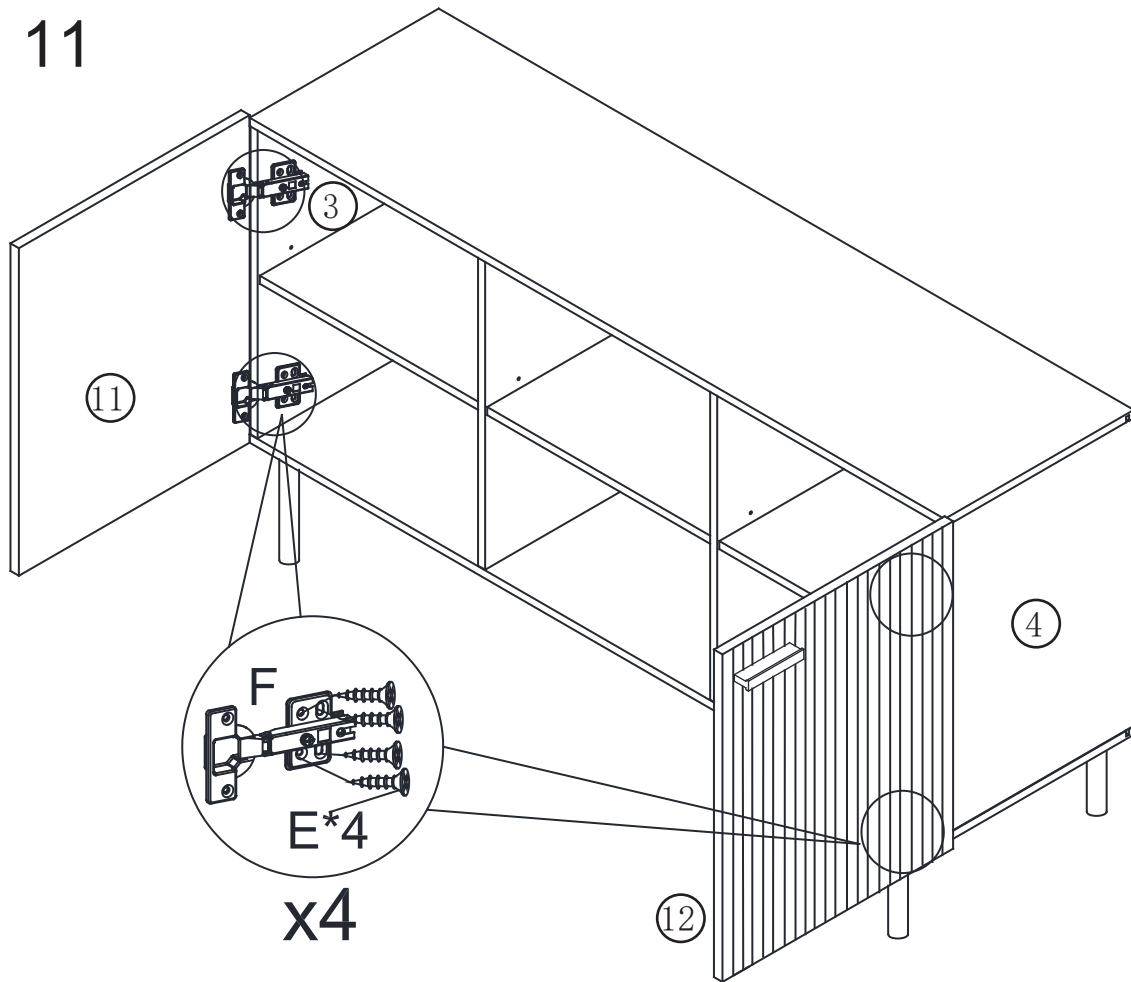
STEP 10



Use the screwdriver, bolt S and screw E to connect knob R & concealed hinges G with the panel 12.

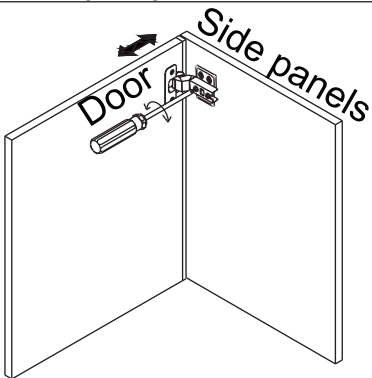
R	x1	S	x2	E	x4	G	x2
		M4*18mm		Ø3.5*14mm			

STEP 11

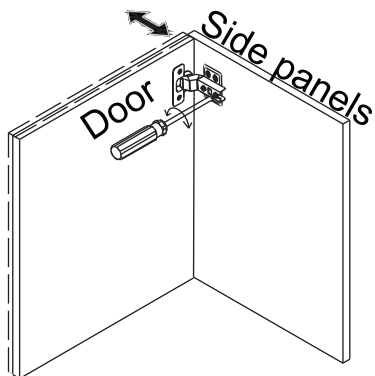


Use the screwdriver and screw E to connect concealed hinges on panel 11 & 12 with side panel 3 & panel 4.

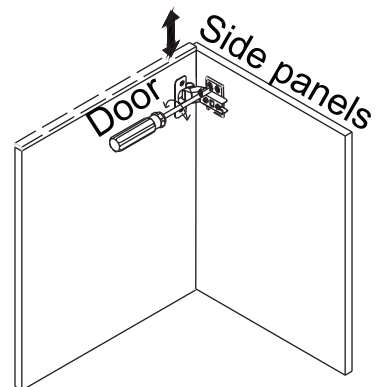
Concealed hinges are three-way adjustable:




Horizontal
by screw adjustment!



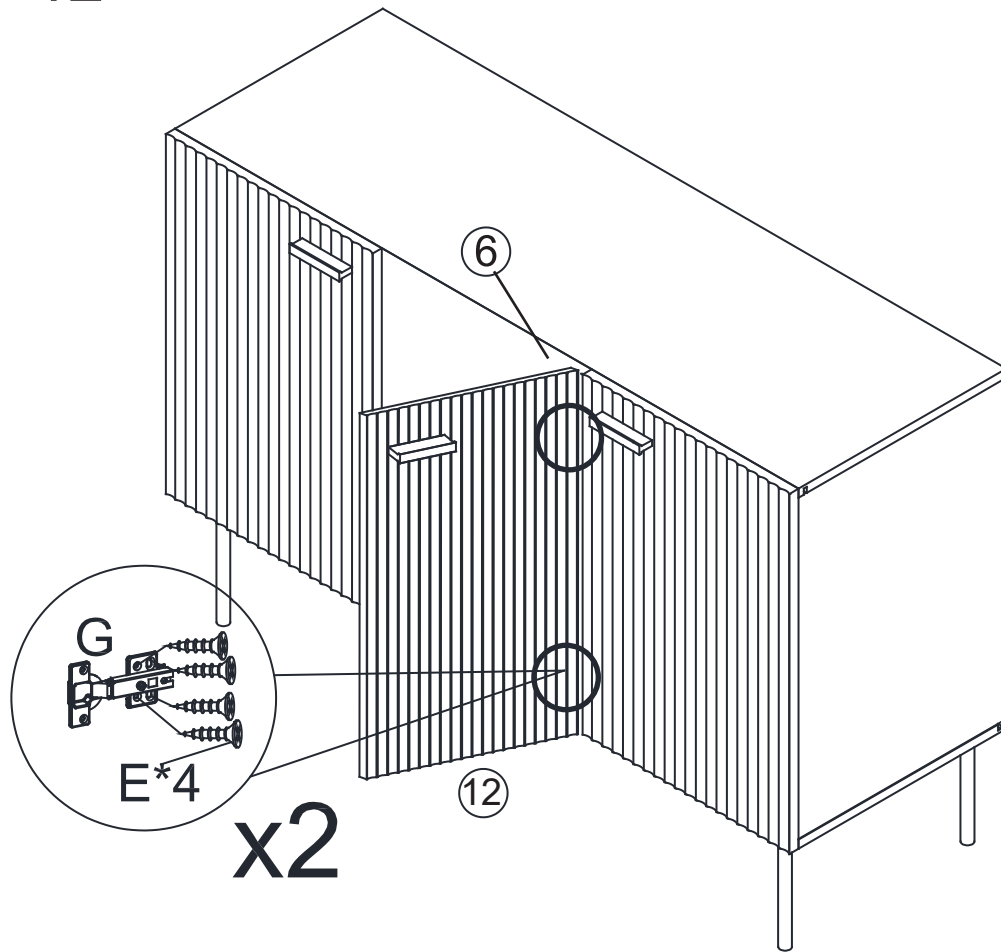
In-and-out
by loosening the hinge arm
mounting screw or via cam
adjustment!



Vertical via slots in
the mounting plate
or via cam adjustment!

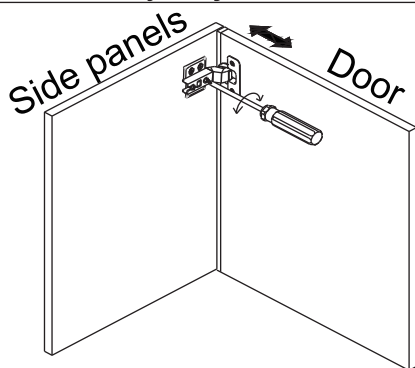
E	x16
	
$\text{Ø}3.5 \times 14\text{mm}$	

STEP 12

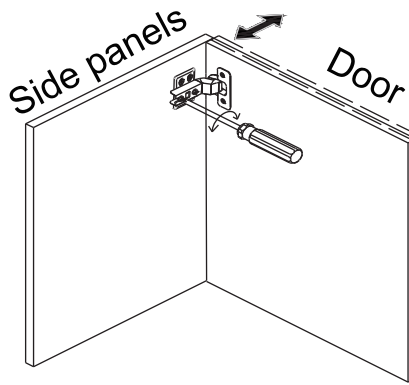


Use the screwdriver and screw E to connect door panel 12 with vertical partition panel 6.

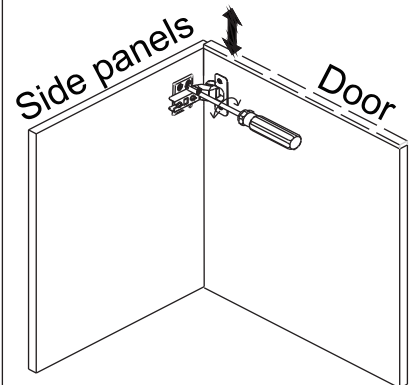
Concealed hinges are three-way adjustable:




Horizontal
by screw adjustment!



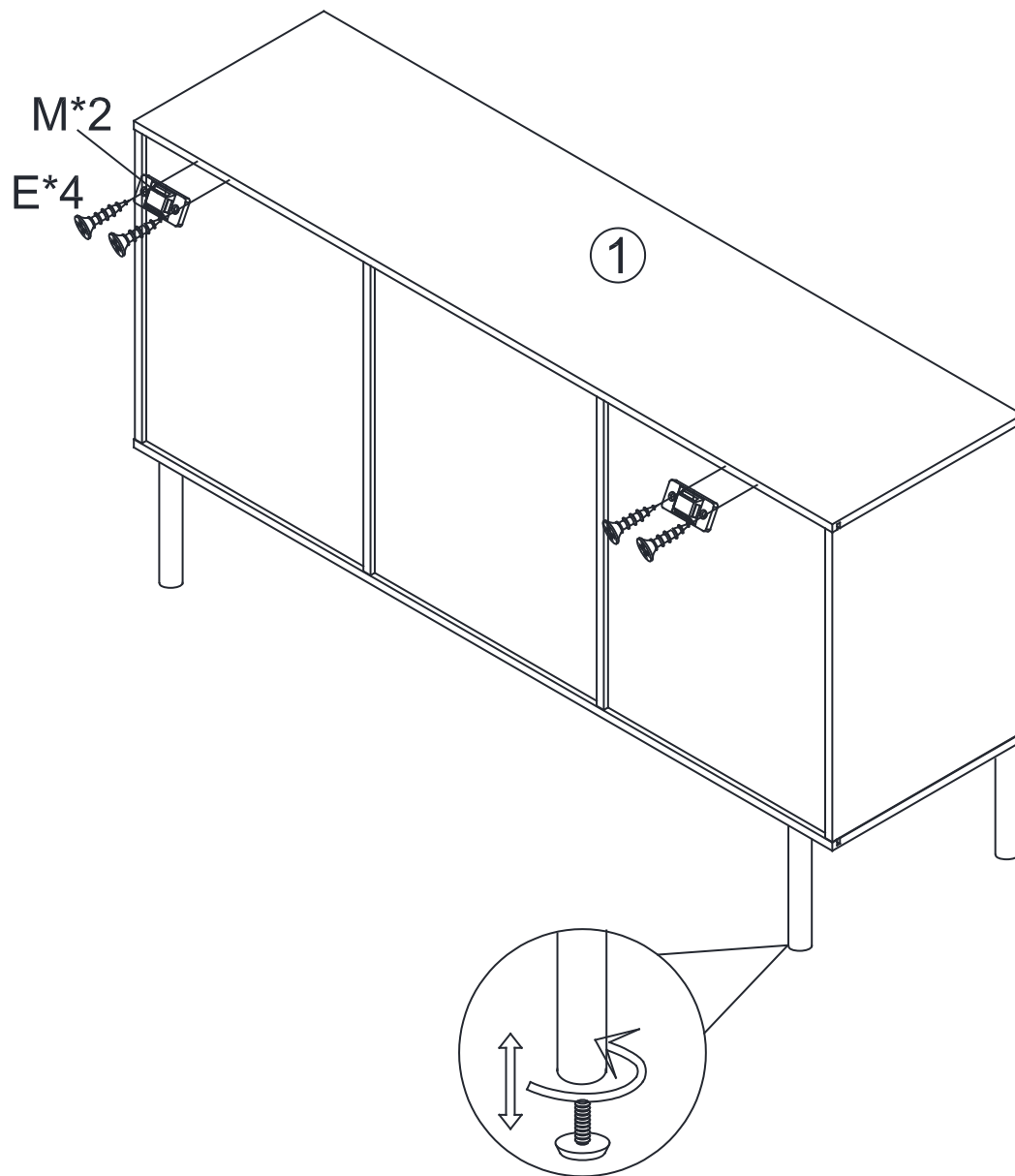
In-and-out
by loosening the hinge arm
mounting screw or via cam
adjustment!





Vertical via slots in
the mounting plate
or via cam adjustment!

E	x8
	
$\text{Ø}3.5 \times 14\text{mm}$	

STEP 13



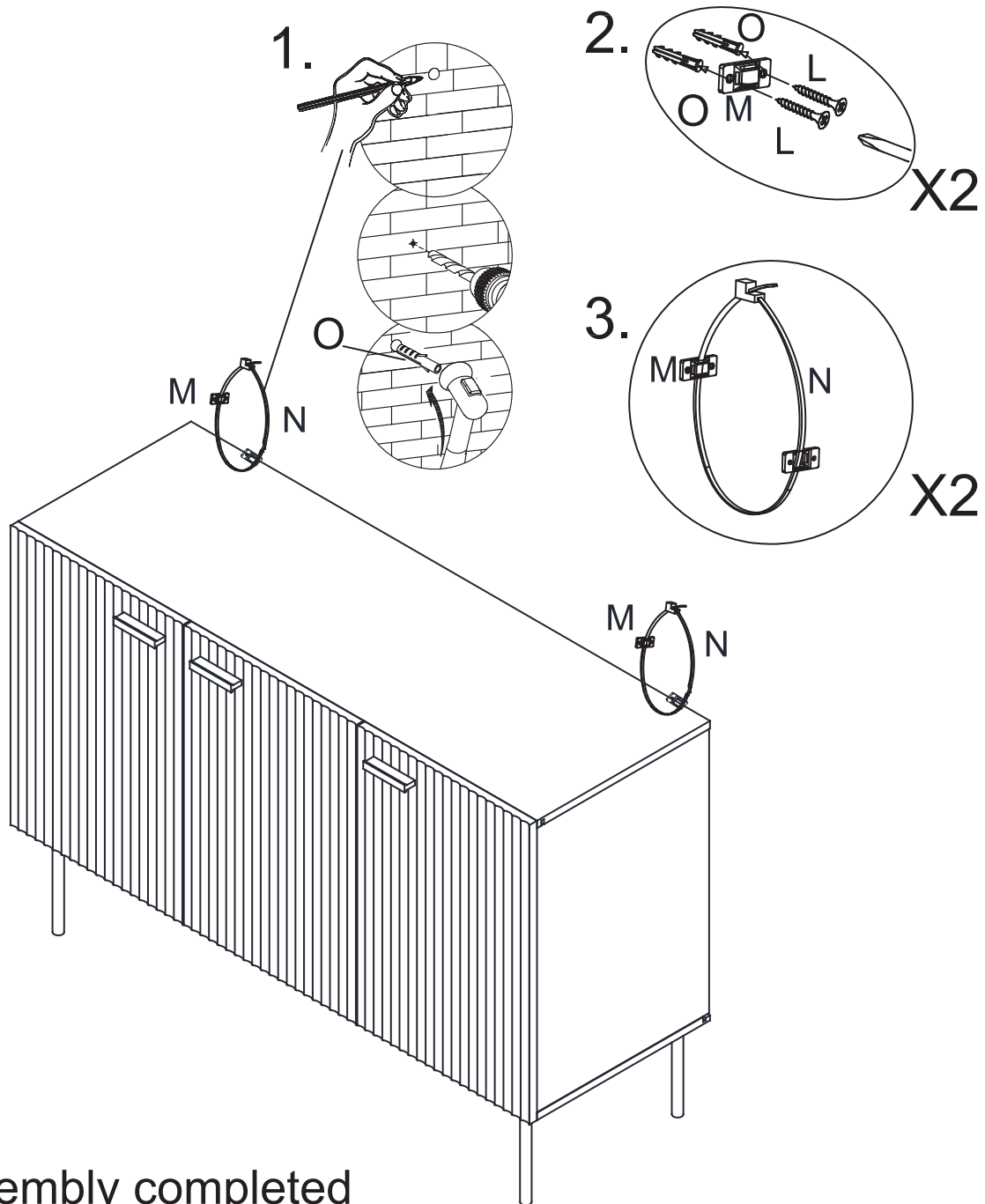
Use the screwdriver and screw E to attach plastic bracket M to top panel 1. keep the cabinet-level with adjustable nails in the event of a wobbly cabinet. Now your cabinet is ready to use.


M	x2	E	x4
			
		Ø3.5*14mm	


STEP 14


Install the anti-collapse device.


1. Mark the position on the wall, that corresponds to the location of M on the back of panel 1; Drill and insert the expandable screw O by hammer;
2. Assemble the part M to the wall. Align the hole in the part M with the expandable screw O, screw in and tighten by screwdriver;
3. Let the plastic belt N pass through the both M and pull to tightly.



L	x4
	
Ø4*35mm	

M	x2
	

N	x2
	

O	x4
	

WARRANTY

We strive to offer high-quality products, and we also try our best to satisfy each and every customer that orders from us with product or service as needed. We provide 30 days warranty starting from the time you receive the item. Each customer must provide a record of their order such as the order number, or item receipt for any items that are out of the warranty period you may also still receive replacement parts by purchasing them with our company if they are available.

**Are you having difficulty
with assembly? Missing parts?**

Please send email with your order No

customerservice@hulalahome.com

**For return, Please check the return policy with
the retailer or MarketPlace you bought from.**

**Appreciated your purchasing from us.
Pop up your life by our furniture piece!**