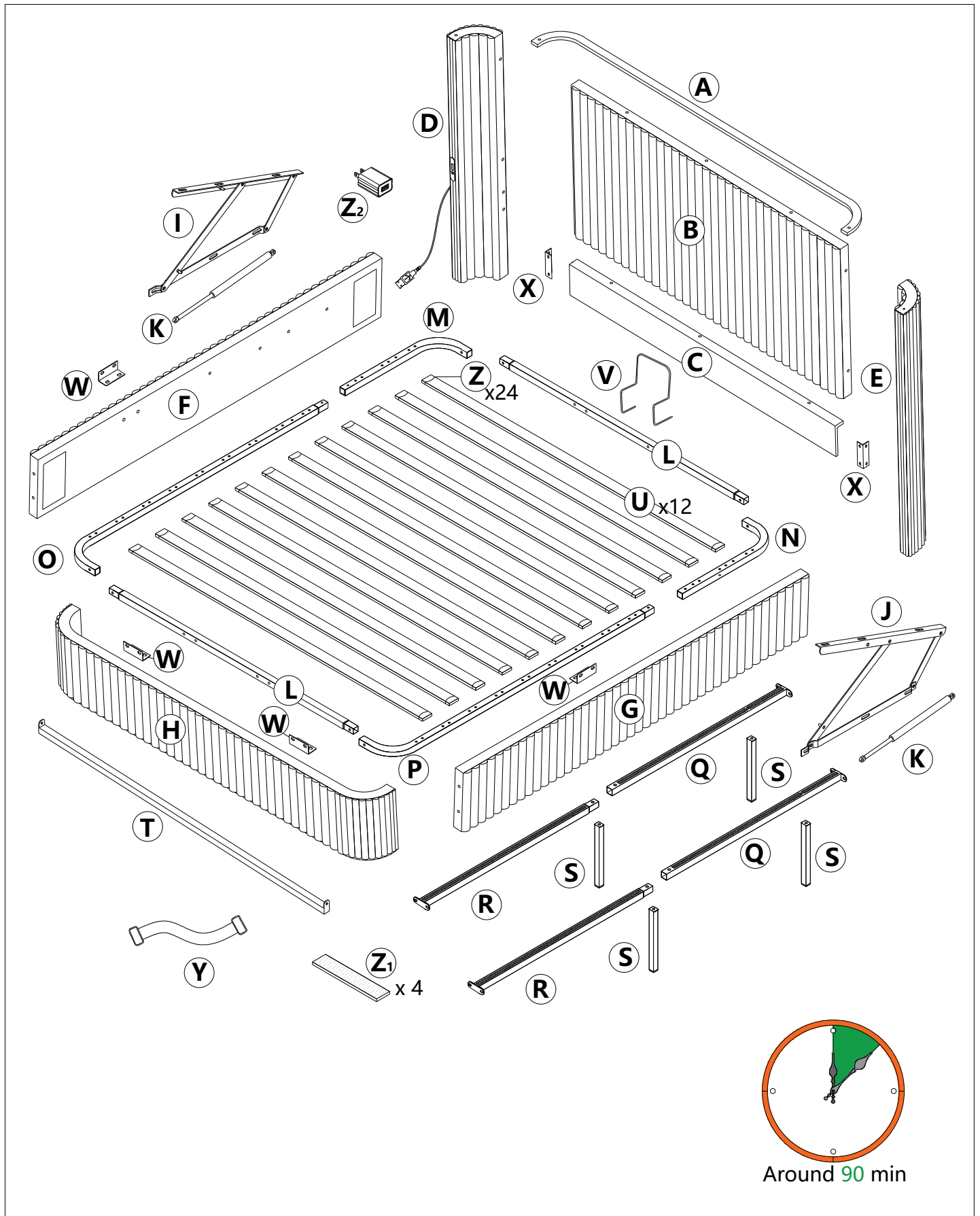


## **ITEM NO. Z6BDHY0483-K King Bed**

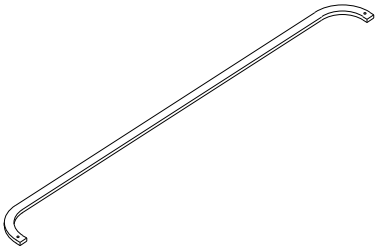
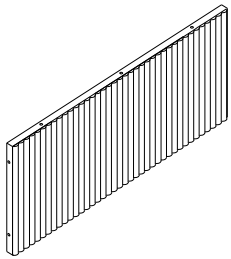
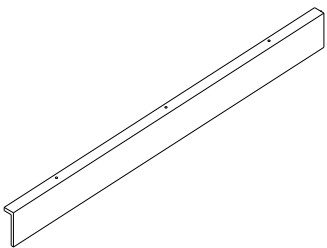
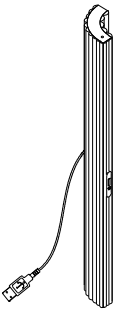
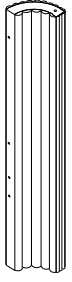
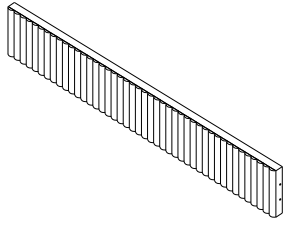
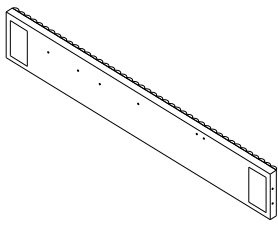
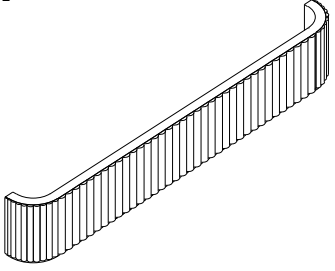
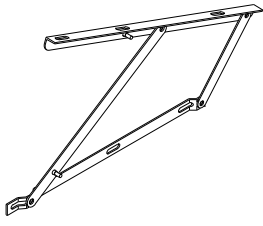
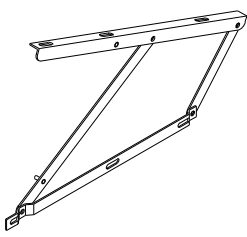
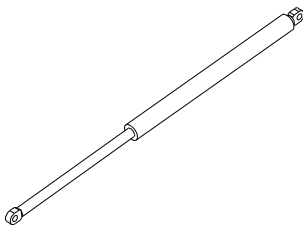
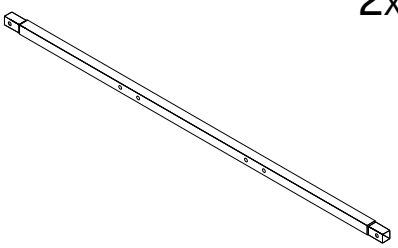
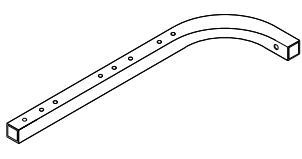
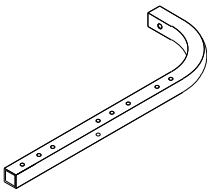
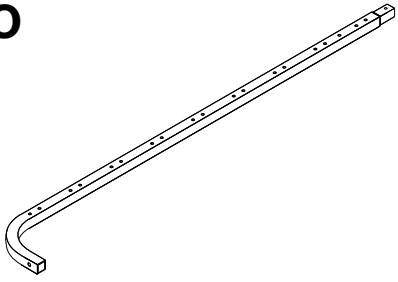
Thank you for purchasing the King bed . Please read the instructions and warnings carefully before use, to ensure safe and satisfactory operation of this product. At hulalahome we are committed to making great products possible. From our in-house Design Team, to our Buyers, we work together to bring great designs to life. Our expert Product Technologists work collaboratively with our buyers and suppliers to assure the legality, safety and quality of the product we sell. We are all committed to designing and developing products to the highest industry standards. We hope you are happy with your product and welcome any feedback or comments you may have.

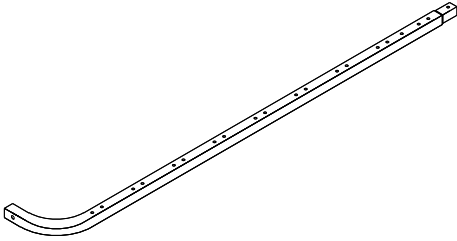
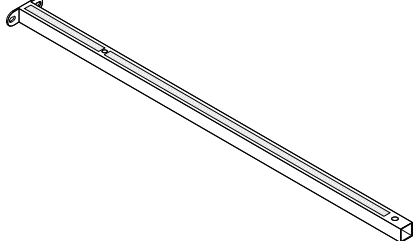
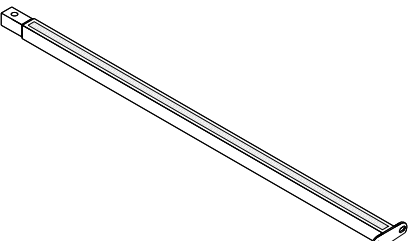

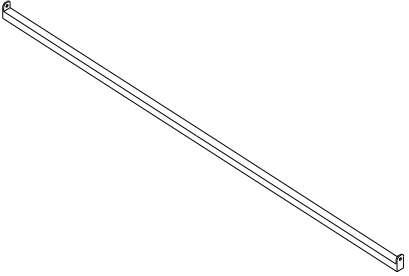
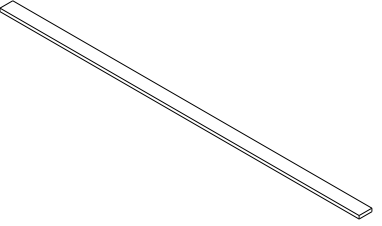
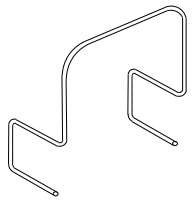
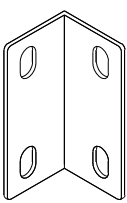
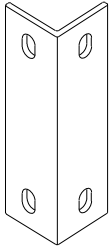

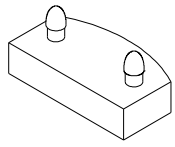
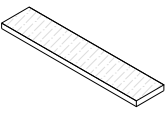
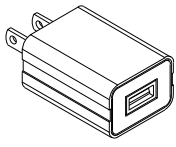
# Exploded Diagram



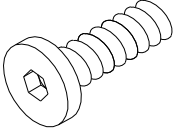
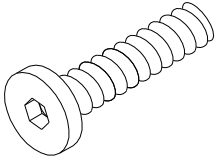
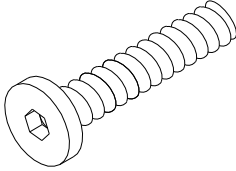
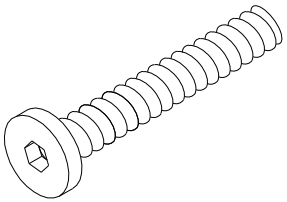
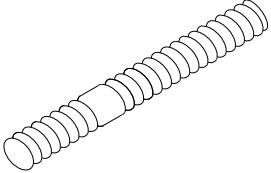
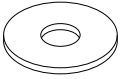
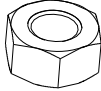
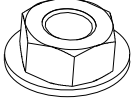
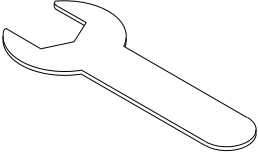
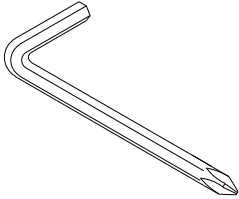

Be sure to check all packing material carefully for small parts, which may have come loose inside the carton during shipment.

# PARTS LIST

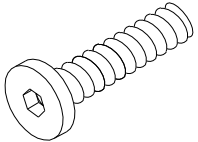
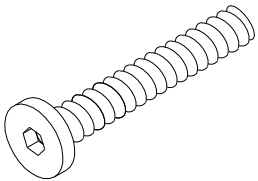
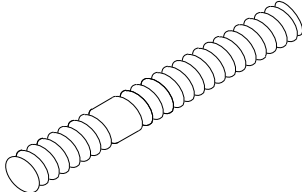
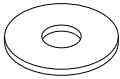
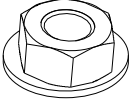
|  |  |   |
|--|--|---|
| <p><b>A</b> 1x</p>  <p>HB-Wood Cover</p>      | <p><b>B</b> 1x</p>  <p>Headboard</p>        | <p><b>C</b> 1x</p>  <p>Under the Headboard</p>     |
| <p><b>D</b> 1x</p>  <p>Left Side Wing</p>     | <p><b>E</b> 1x</p>  <p>Right Side Wing</p>  | <p><b>F</b> 1x</p>  <p>Left Rail</p>               |
| <p><b>G</b> 1x</p>  <p>Right Rail</p>       | <p><b>H</b> 1x</p>  <p>Footboard</p>      | <p><b>I</b> 1x</p>  <p>Left Lift Frame</p>       |
| <p><b>J</b> 1x</p>  <p>Right Lift Frame</p> | <p><b>K</b> 2x</p>  <p>Hydraulic Rod</p>  | <p><b>L</b> 2x</p>  <p>Metal Frame Cross Bar</p> |
| <p><b>M</b> 1x</p>  <p>Left Side Bar</p>    | <p><b>N</b> 1x</p>  <p>Right Side Bar</p> | <p><b>O</b> 1x</p>  <p>Left Side Bar-L</p>       |

|  |  |  |
|--|--|--|
| <p><b>P</b> 1x</p>  <p>Right Side Bar-L</p>    | <p><b>Q</b> 2x</p>  <p>Back Middle Bar</p> | <p><b>R</b> 2x</p>  <p>Front Middle Bar</p> |
| <p><b>S</b> 4x</p>  <p>Middle Support Leg</p> | <p><b>T</b> 1x</p>  <p>Cross Bar</p>       | <p><b>U</b> 12x</p>  <p>Slats</p>           |
| <p><b>V</b> 1x</p>  <p>L Stop</p>           | <p><b>W</b> 4x</p>  <p>Connector</p>       | <p><b>X</b> 2x</p>  <p>7" Connector</p>    |
| <p><b>Y</b> 1x</p>  <p>Hand Strap</p>       | <p><b>Z</b> 24x</p>  <p>Plastic Cap</p>   | <p><b>Z1</b> 4x</p>  <p>EVA</p>           |
| <p><b>Z2</b> 1x</p>  <p>Power Adapter</p>   |  |  |

# HARDWARE LIST

|  |   |   |  |
|--|---|---|--|
| <b>1</b> <span style="float: right;">4x</span><br><br><b>Bolt M8*12mm</b> | <b>2</b> <span style="float: right;">20x</span><br><br><b>Bolt M8*20mm</b>     | <b>3</b> <span style="float: right;">8x</span><br><br><b>Bolt M8*30mm</b> | <b>4</b> <span style="float: right;">22x</span><br><br><b>Bolt M8*45mm</b>    |
| <b>5</b> <span style="float: right;">12x</span><br><br><b>Bolt M8*60mm</b> | <b>6</b> <span style="float: right;">18x</span><br><br><b>Flat Washer</b>      | <b>7</b> <span style="float: right;">4x</span><br><br><b>Nut</b>          | <b>8</b> <span style="float: right;">30x</span><br><br><b>Nut with Washer</b> |
| <b>9</b> <span style="float: right;">1x</span><br><br><b>Spanner M8</b>   | <b>10</b> <span style="float: right;">1x</span><br><br><b>Allen wrench 5#</b> | <b>11</b> <span style="float: right;">2x</span><br><br><b>Wood Plug</b>  |  |

# SPARE LIST


|   |  |   |   |
|---|--|---|---|
| <b>2</b> <span style="float: right;">2x</span><br><br><b>Bolt M8*20mm</b>    | <b>4</b> <span style="float: right;">2x</span><br><br><b>Bolt M8*45mm</b> | <b>5</b> <span style="float: right;">1x</span><br><br><b>Bolt M8*60mm</b> | <b>6</b> <span style="float: right;">1x</span><br><br><b>Flat Washer</b> |
| <b>8</b> <span style="float: right;">2x</span><br><br><b>Nut with Washer</b> |  |   |   |

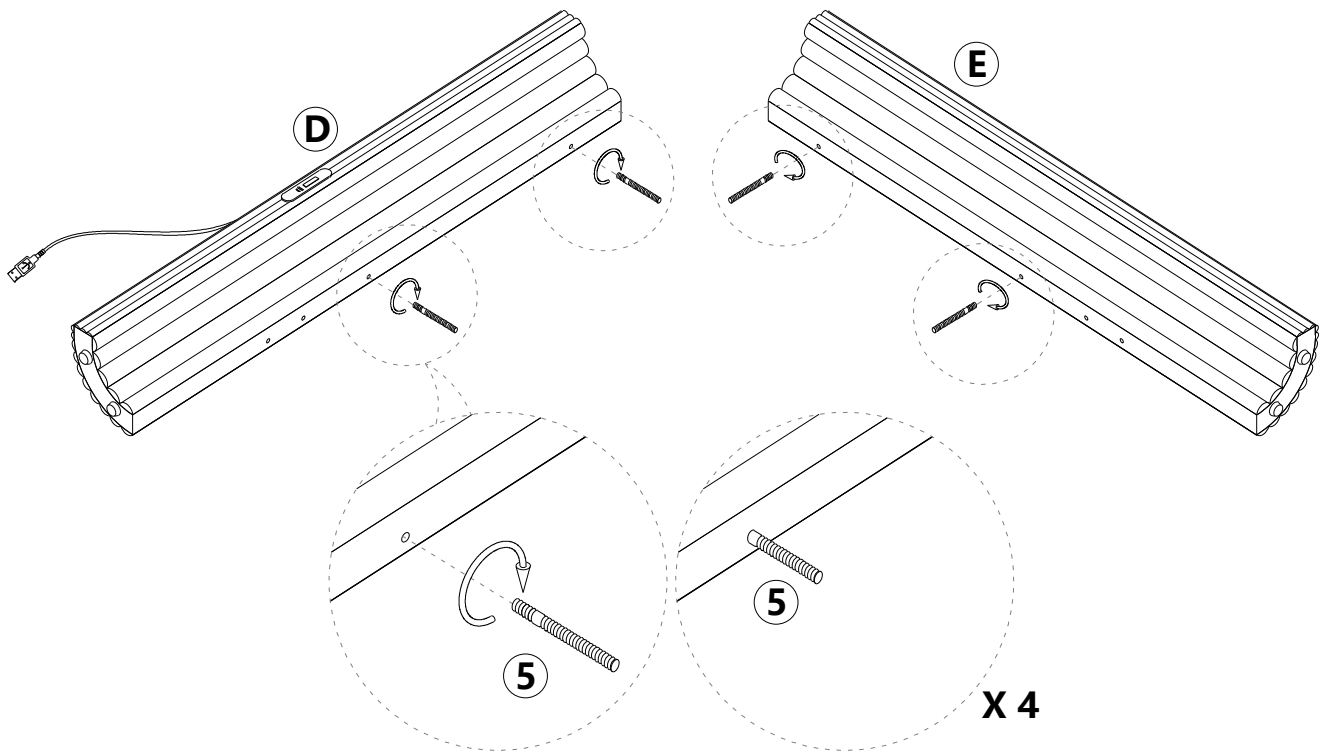
Before your installation, please make sure that you have all the parts listed on the manual. If you find something missing, stop installing and contact your supplier immediately.

NOTE: Please do not completely tighten all the hardware until the entire assembly is completed! Be sure to tighten all the hardware once the assembly completed.

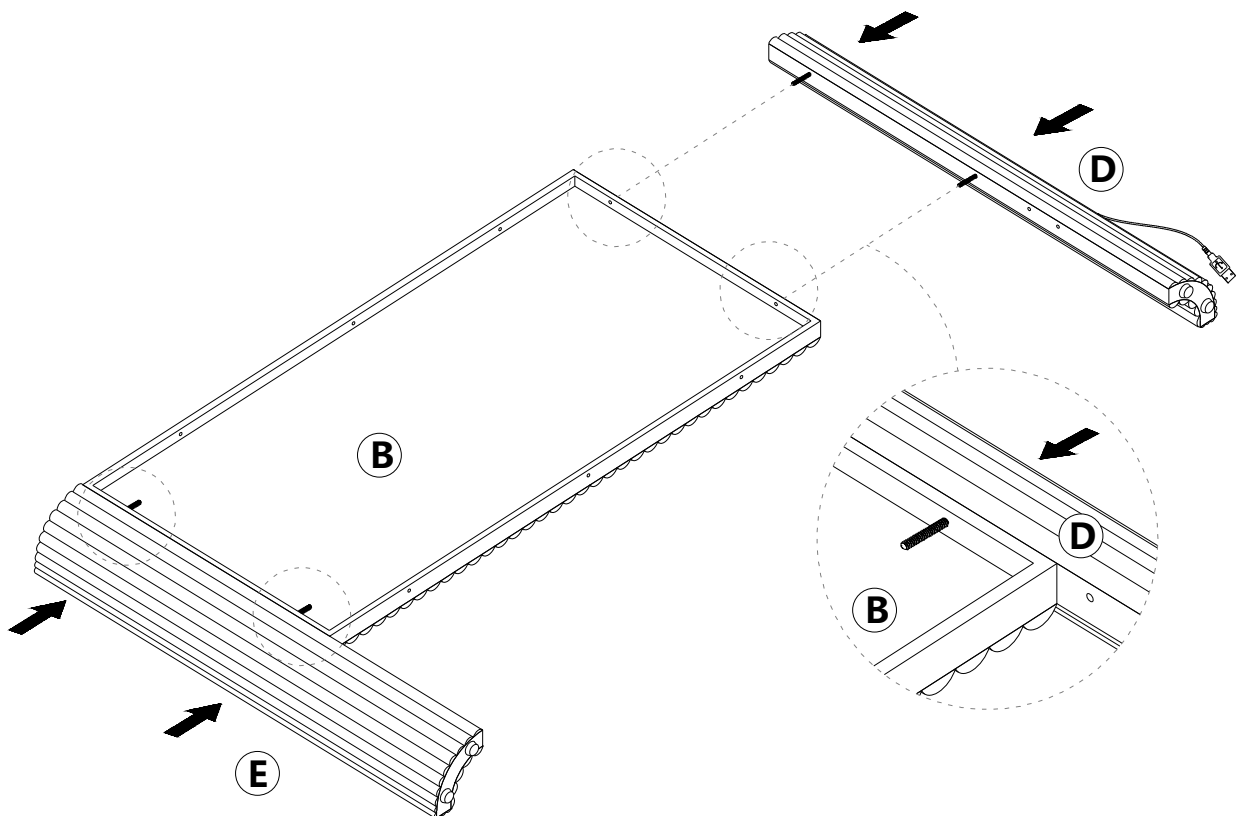
NOTE: Should be assembled on soft surface to keep balance.

## STEP 1


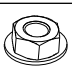
|   |  |       |
|---|--|-------|
| 5 | <br>M8*60mm | 4 pcs |
|---|--|-------|



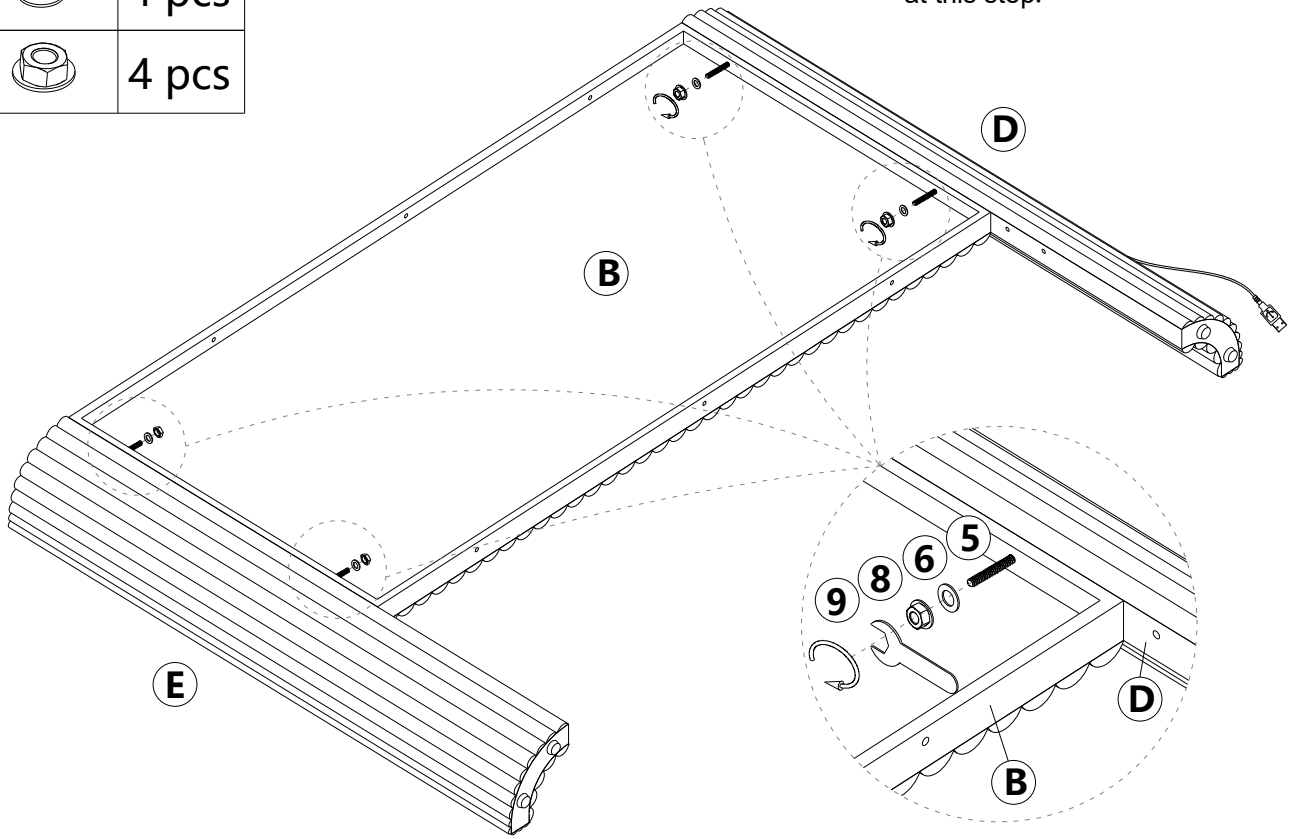
## STEP 2





# STEP 3

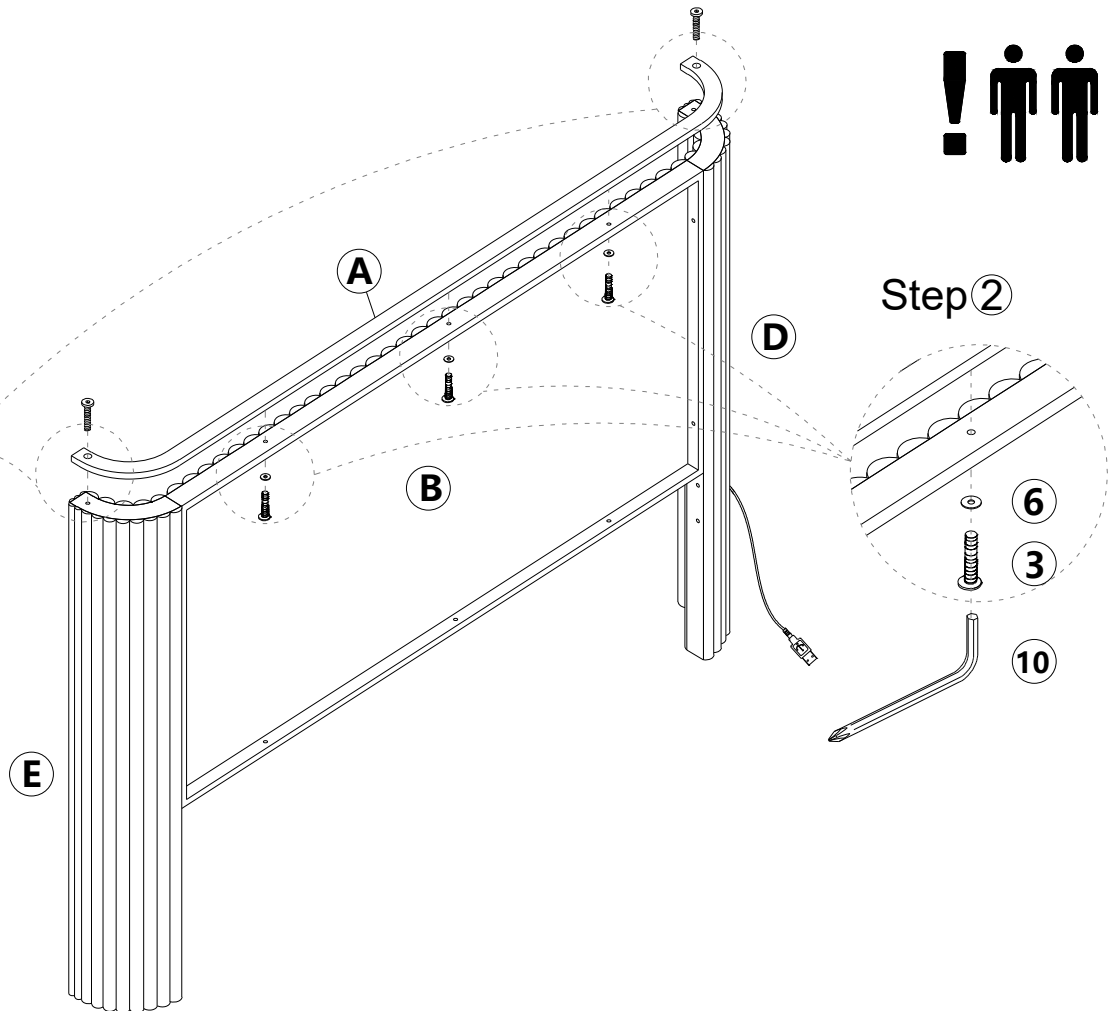
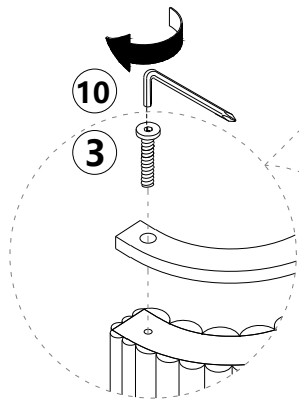
|   |   |       |
|---|---|-------|
| 6 |  | 4 pcs |
| 8 |  | 4 pcs |

Note: Do not fully tighten the bolts at this step.





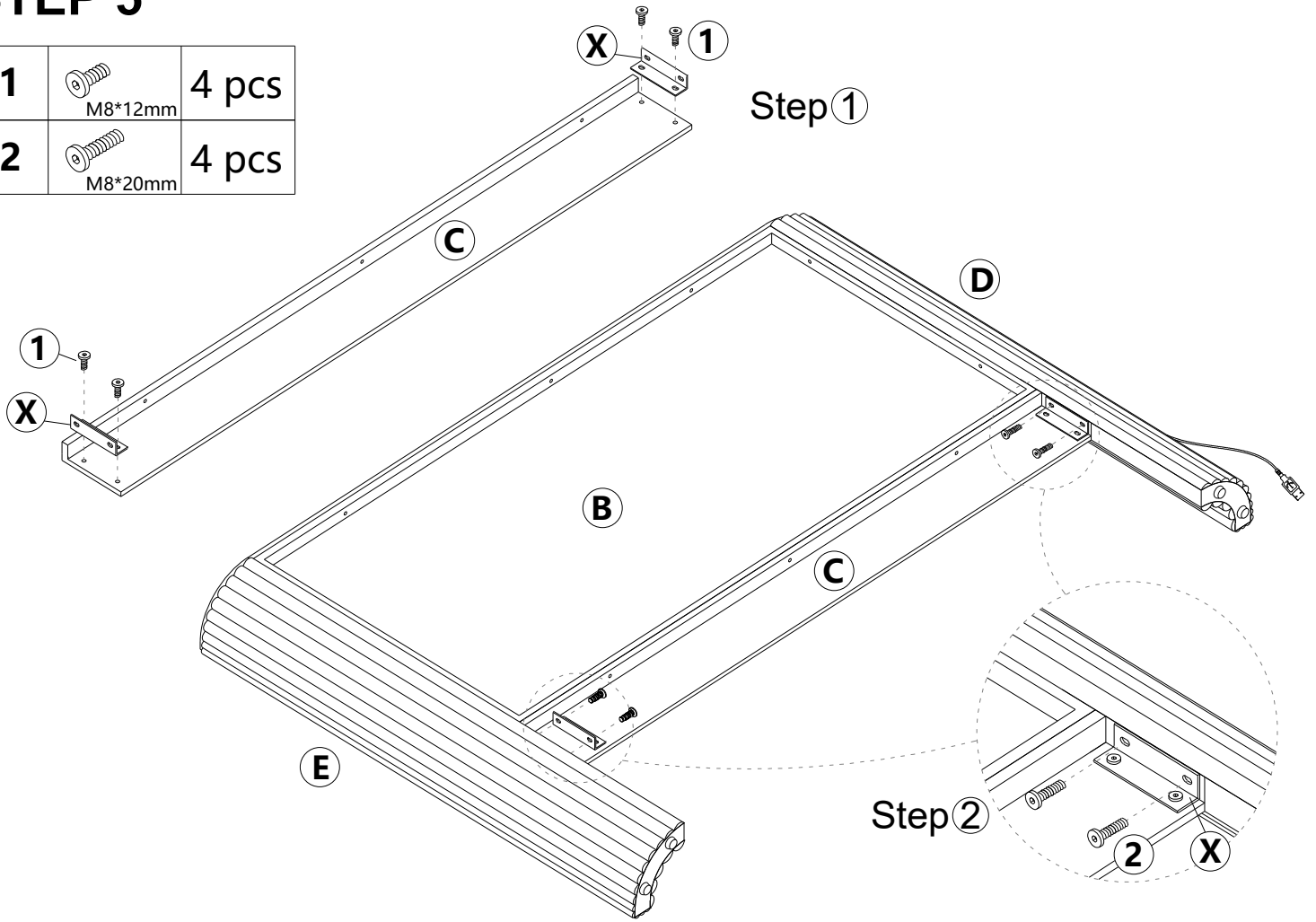
# STEP 4

|   |  |       |
|---|--|-------|
| 3 | <br>M8*30mm | 5 pcs |
| 6 |             | 3 pcs |





# STEP 5

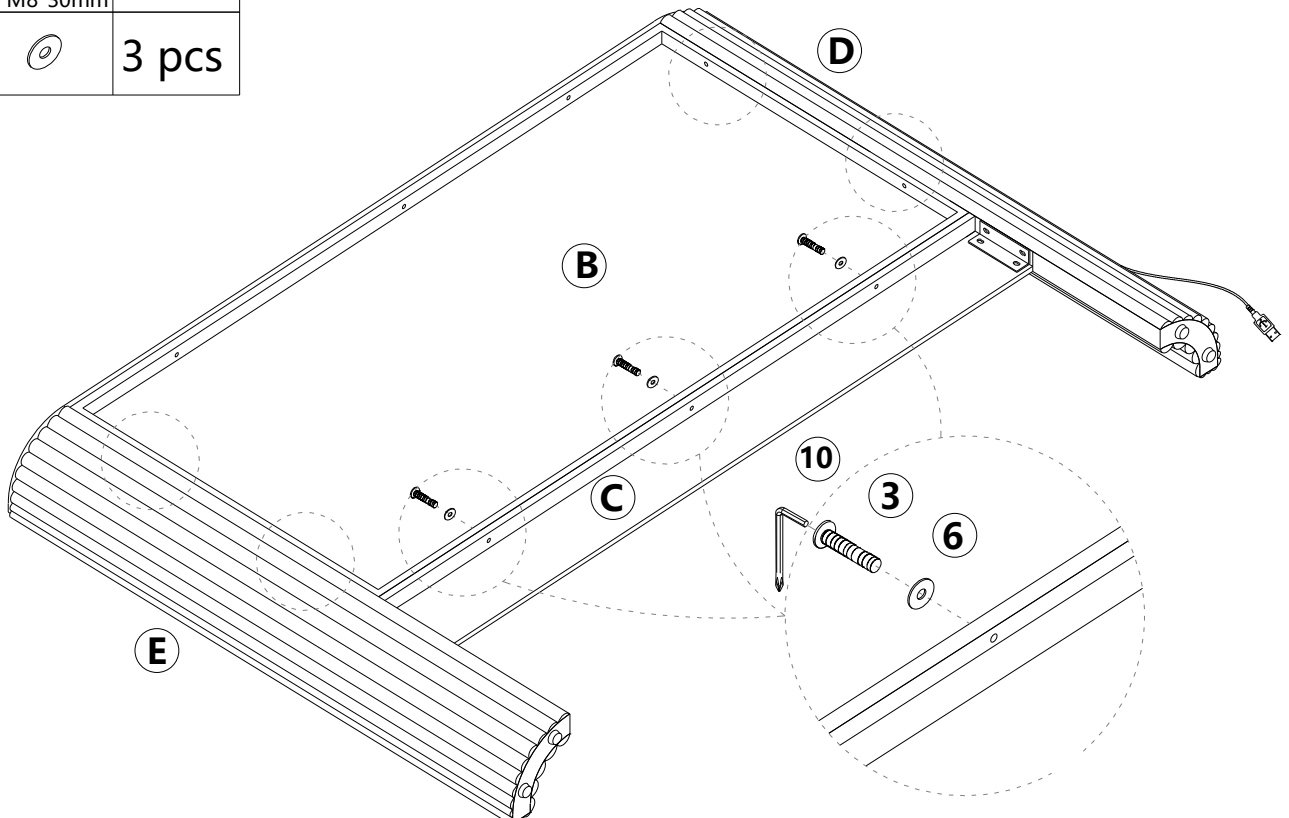
|   |   |       |
|---|---|-------|
| 1 |  M8*12mm | 4 pcs |
| 2 |  M8*20mm | 4 pcs |



# STEP 6


|   |   |       |
|---|---|-------|
| 3 |  M8*30mm | 3 pcs |
| 6 |          | 3 pcs |

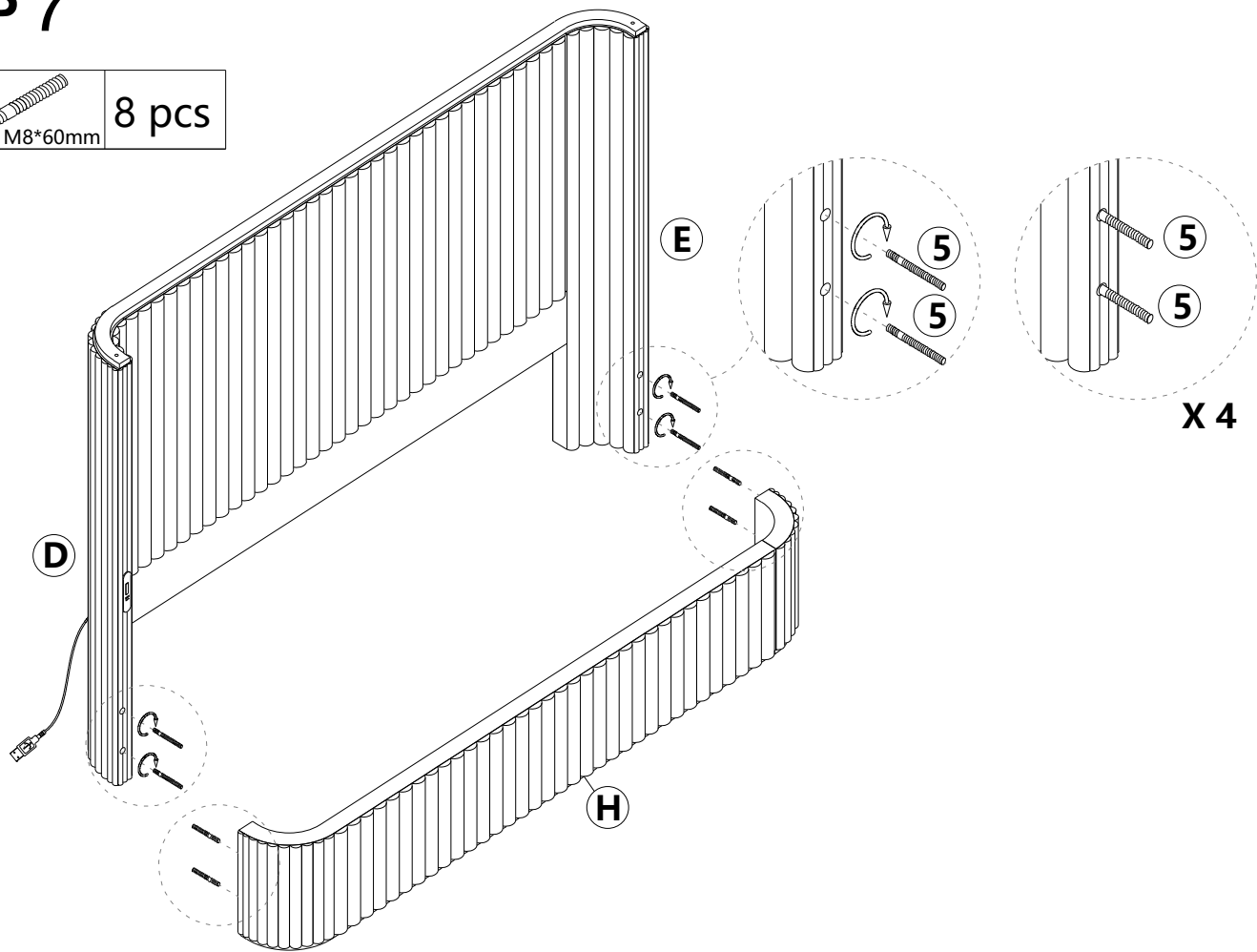
Note: Fully tighten all bolts at this step.



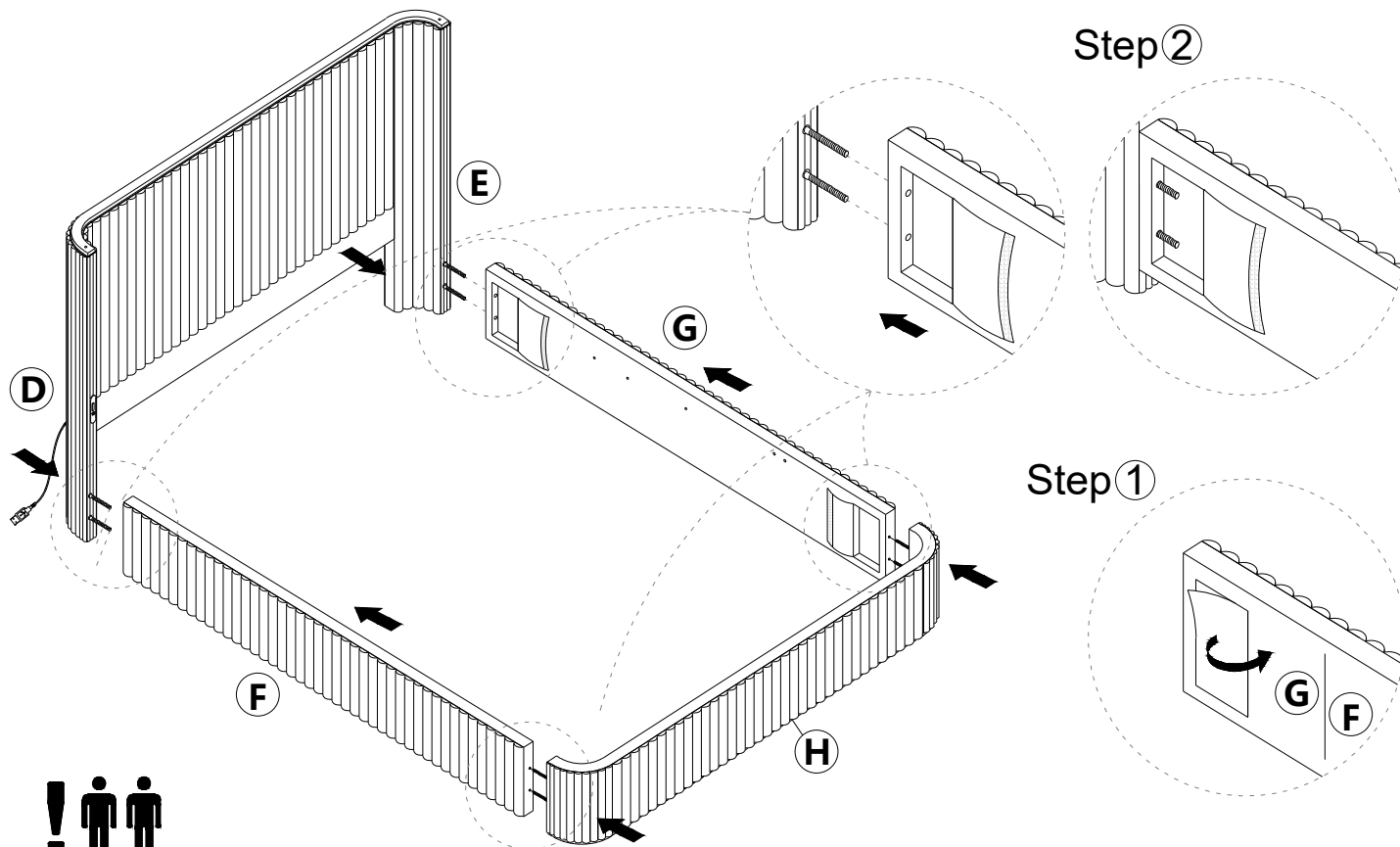


# STEP 7


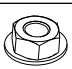
|         |   |       |
|---------|---|-------|
| 5       |  | 8 pcs |
| M8*60mm |   |       |

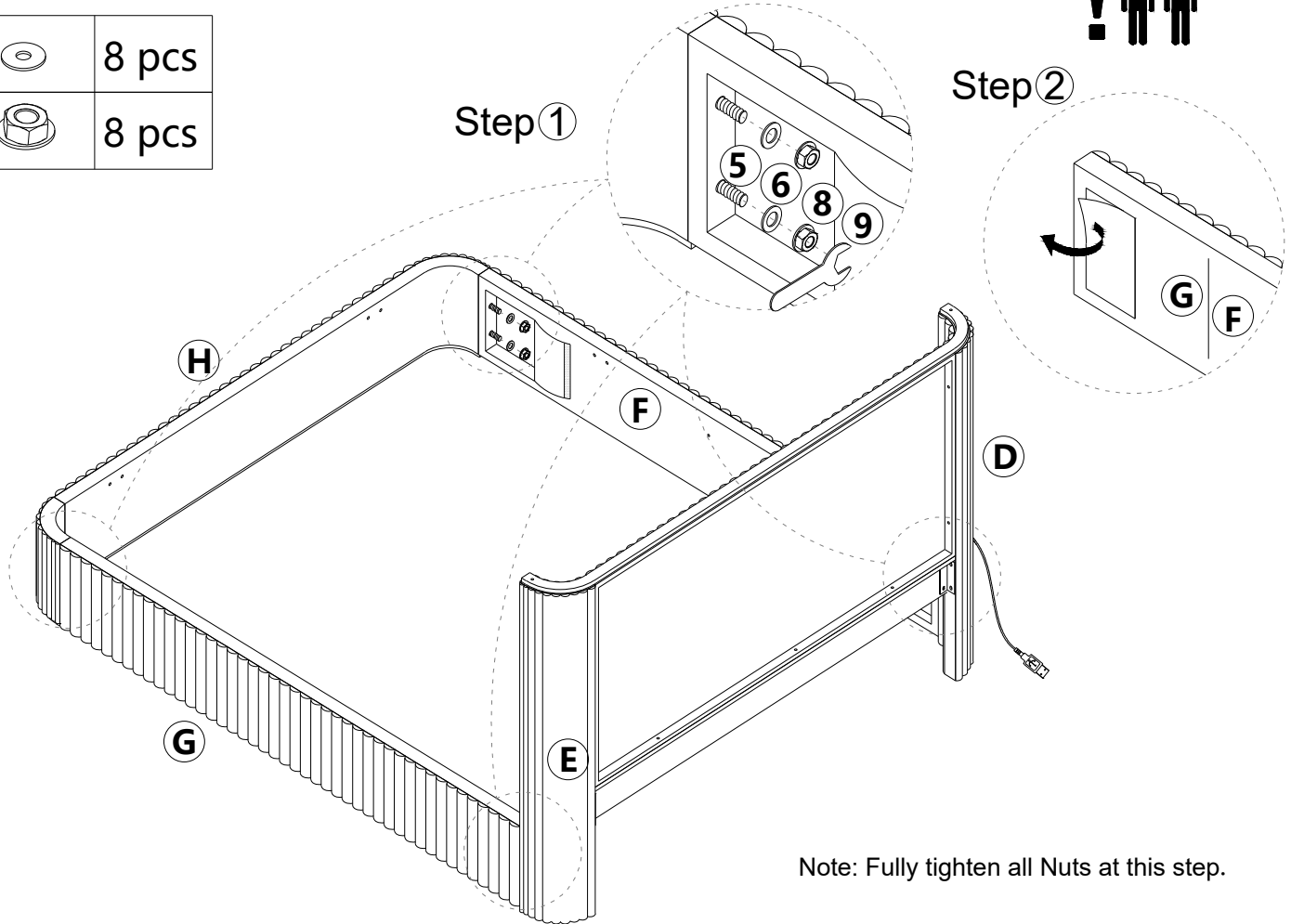


# STEP 8



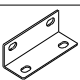


# STEP 9

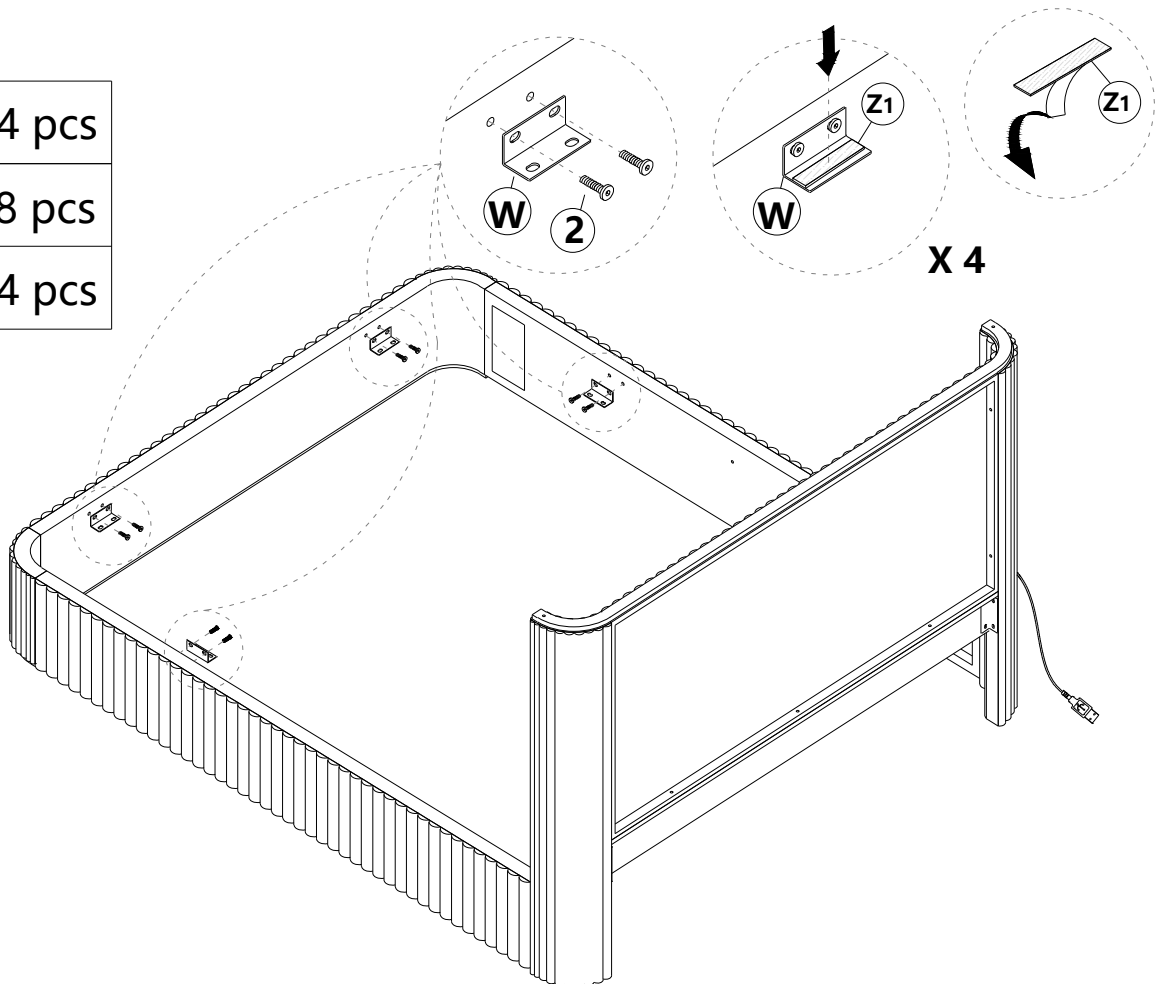
|   |   |       |
|---|---|-------|
| 6 |  | 8 pcs |
| 8 |  | 8 pcs |




Note: Fully tighten all Nuts at this step.

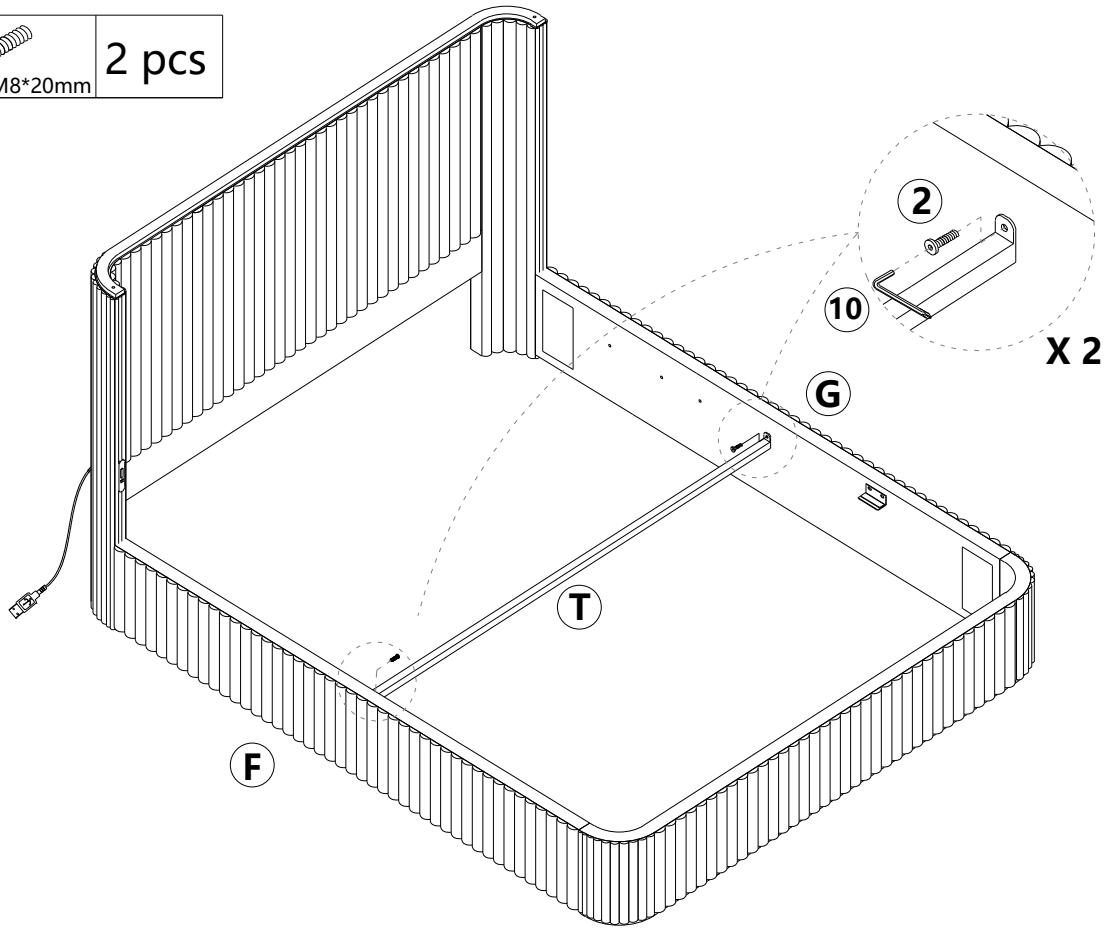
# STEP 10

|    |  |       |
|----|--|-------|
| W  |             | 4 pcs |
| 2  | <br>M8*20mm | 8 pcs |
| Z1 |             | 4 pcs |




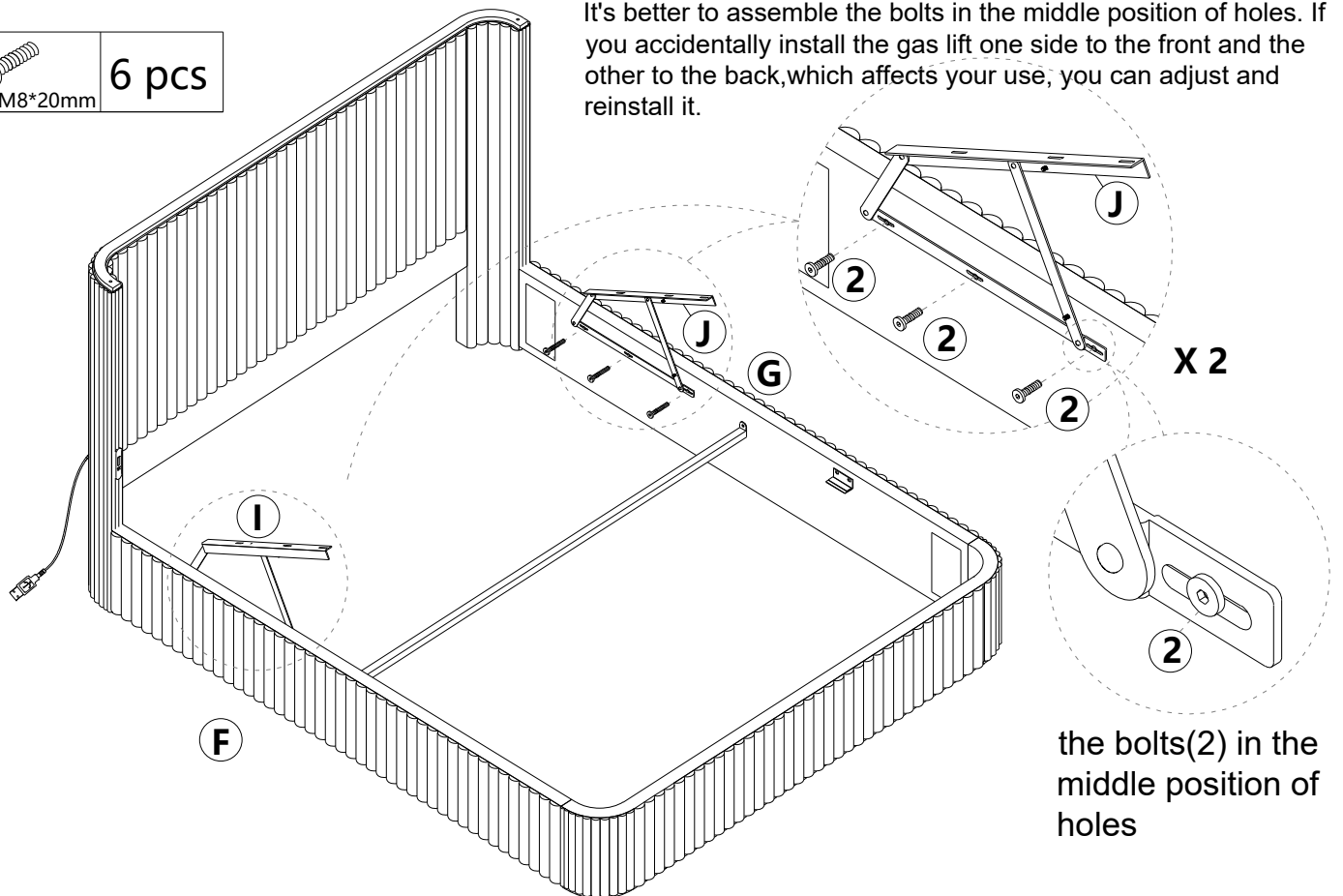
# STEP 11

|         |   |       |
|---------|---|-------|
| 2       |  | 2 pcs |
| M8*20mm |   |       |

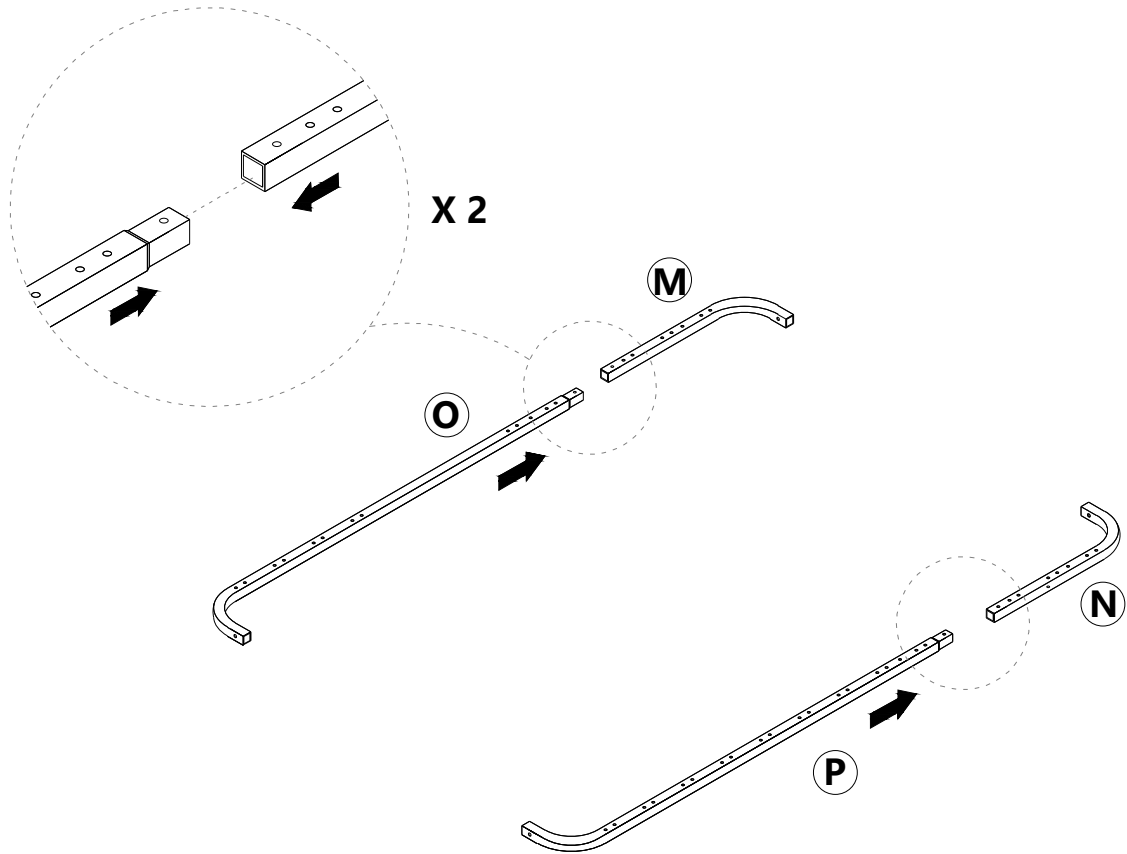


# STEP 12

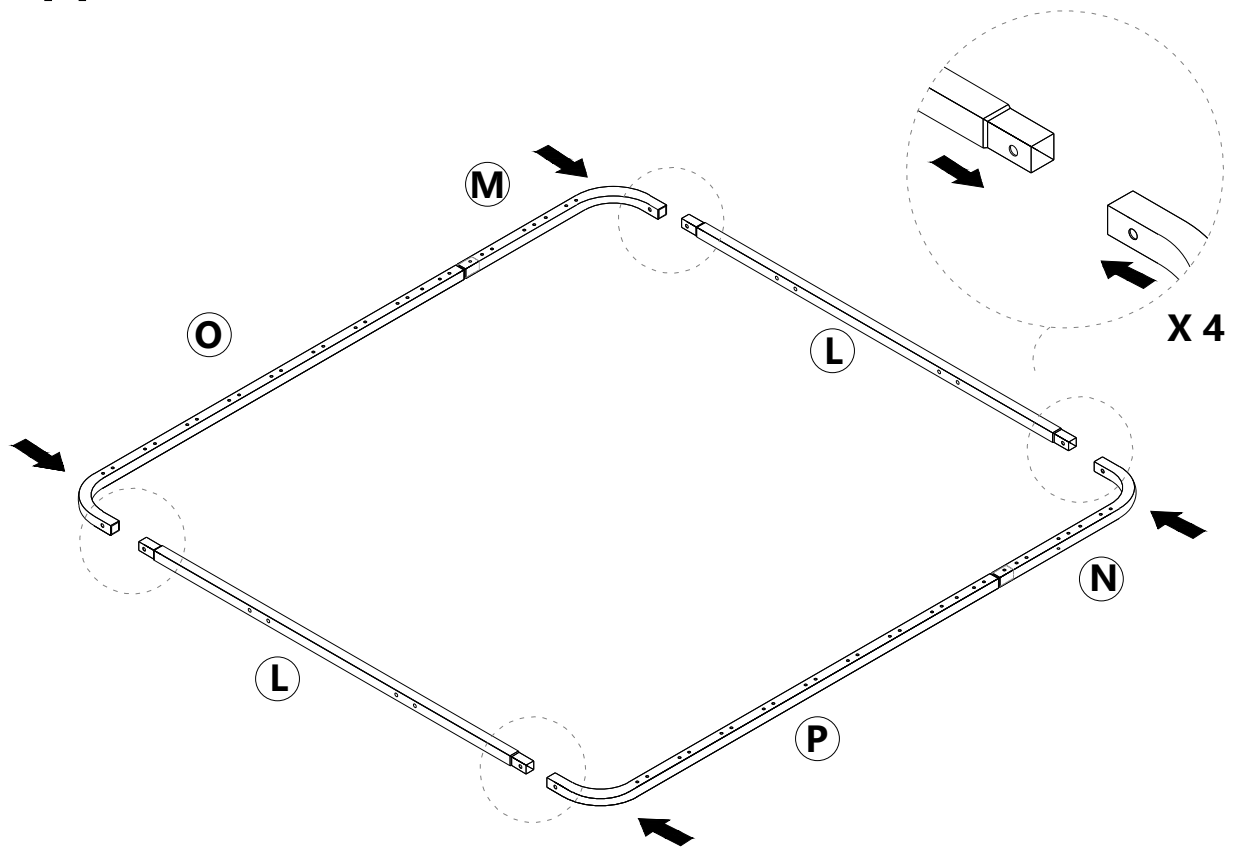
|         |   |       |
|---------|---|-------|
| 2       |  | 6 pcs |
| M8*20mm |   |       |





# STEP 13

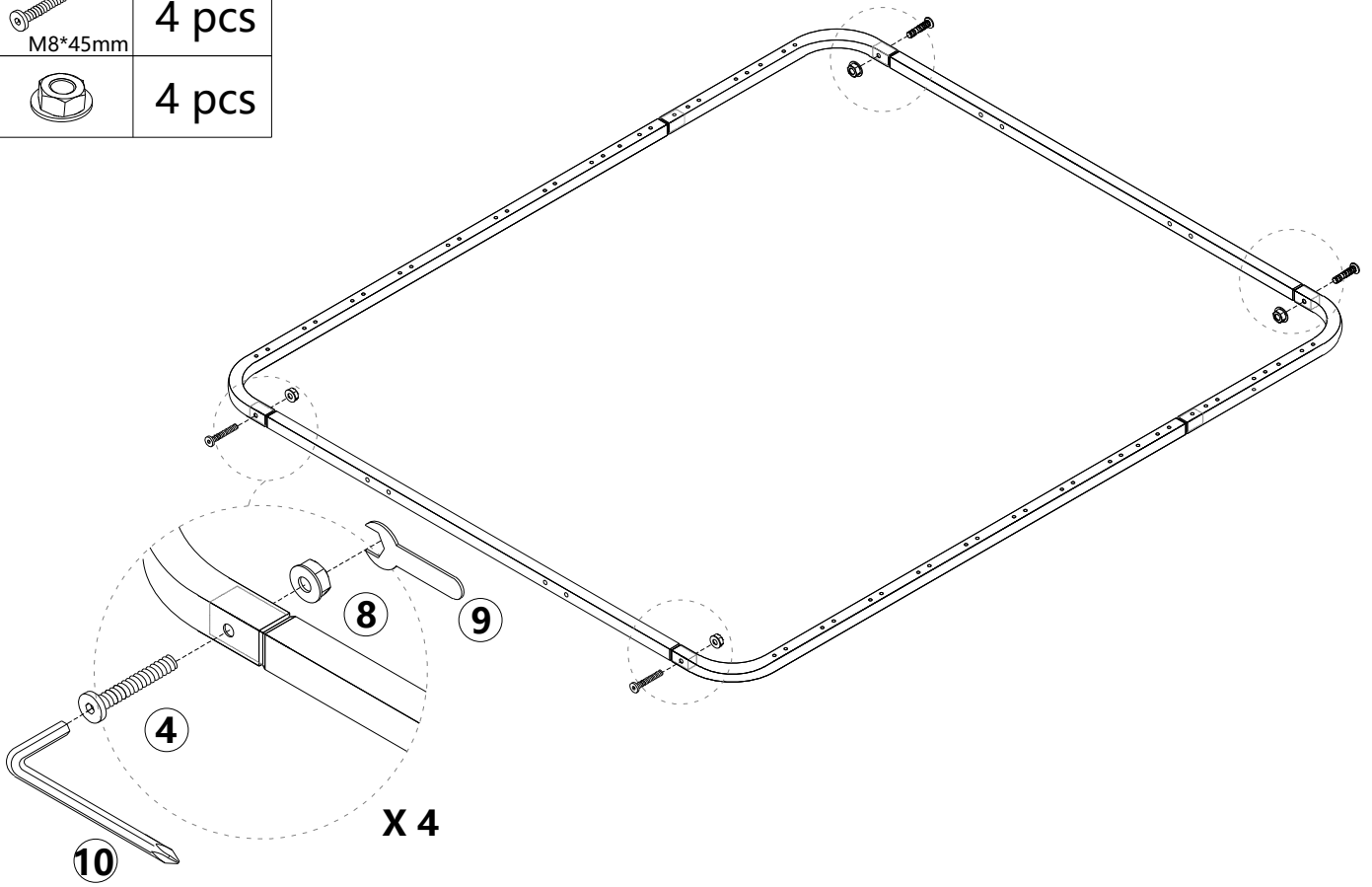


# STEP 14





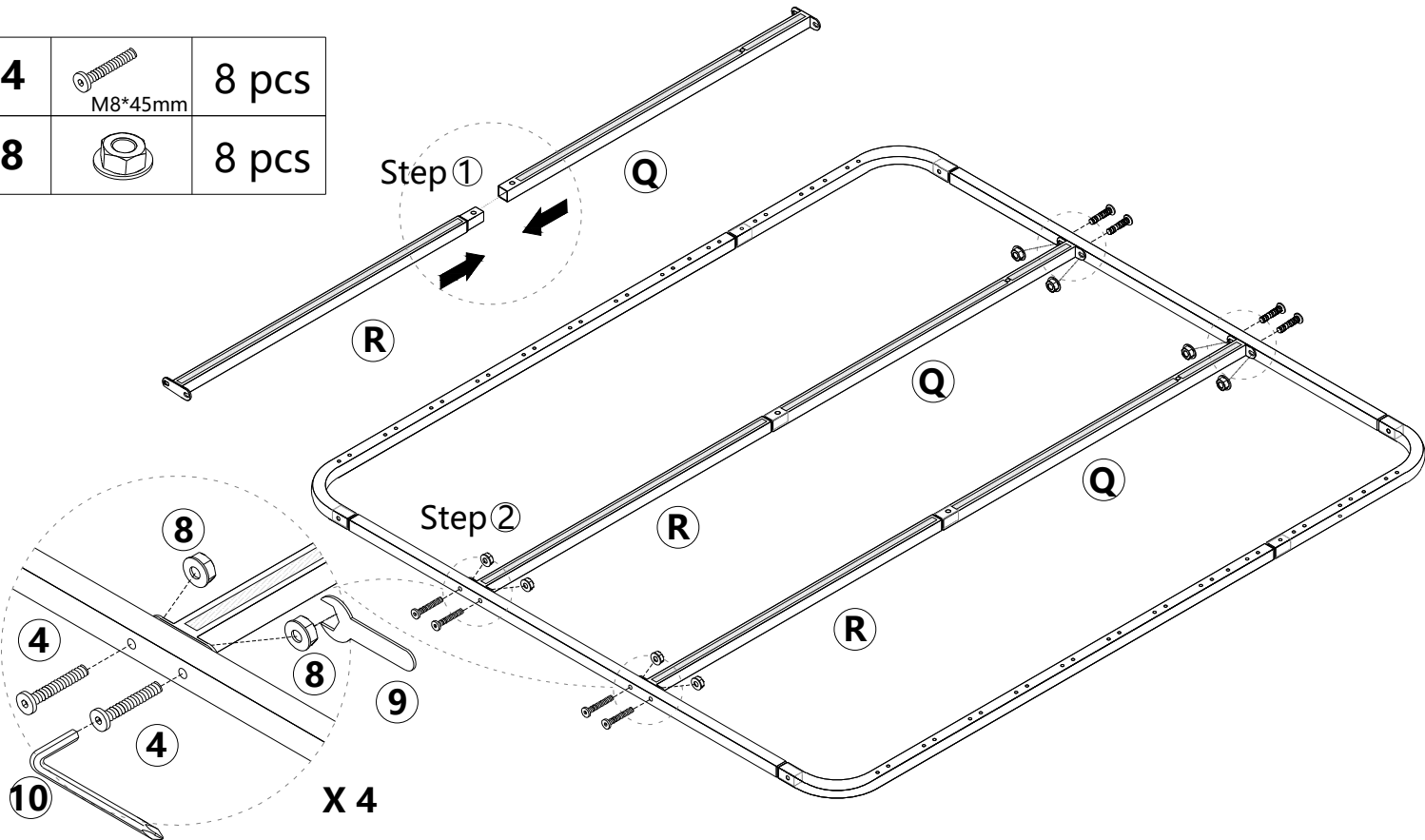
# STEP 15

|   |  |       |
|---|--|-------|
| 4 | <br>M8*45mm | 4 pcs |
| 8 |             | 4 pcs |





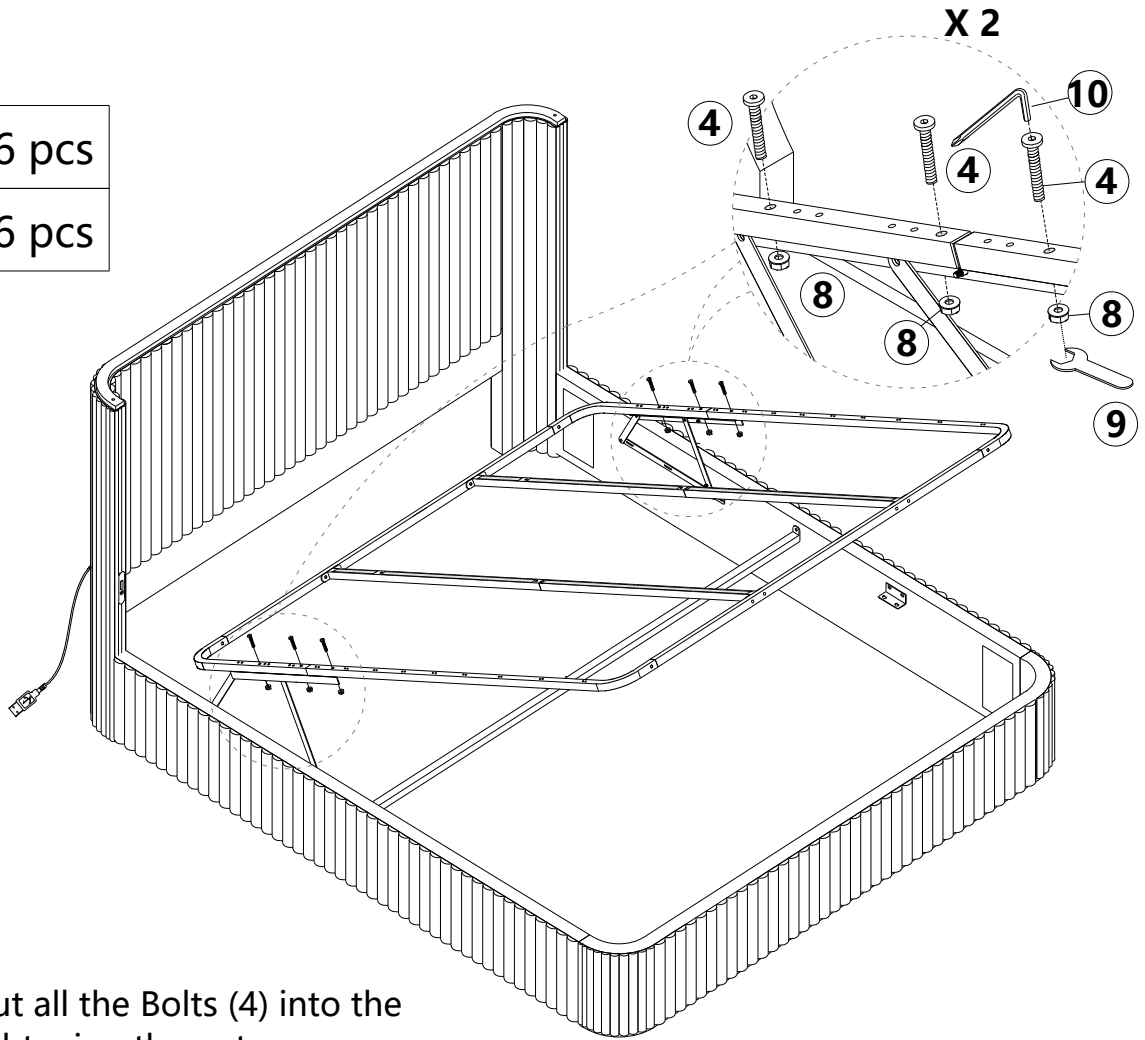
# STEP 16

|   |  |       |
|---|--|-------|
| 4 | <br>M8*45mm | 8 pcs |
| 8 |             | 8 pcs |



# STEP 17

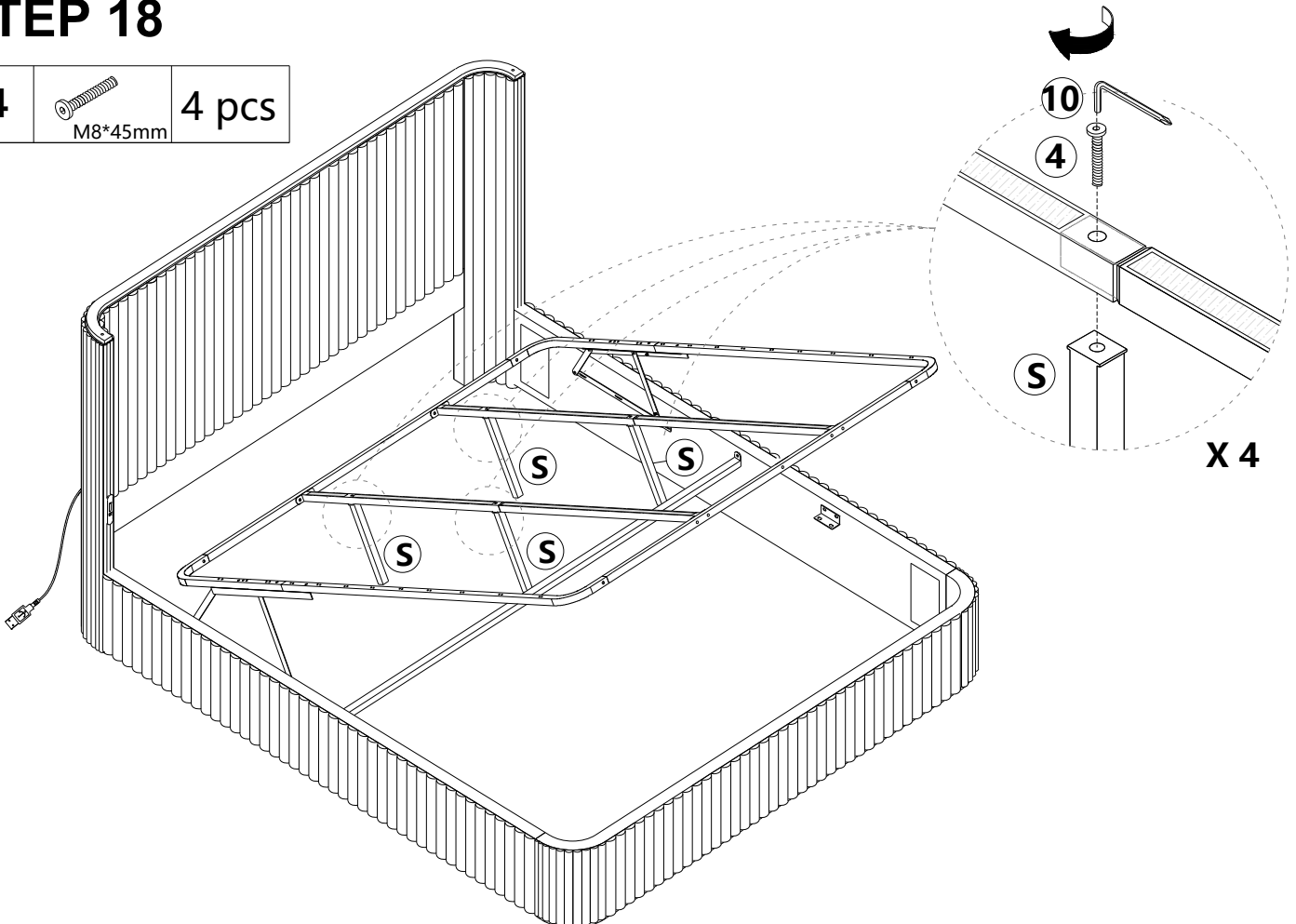
|   |  |       |
|---|--|-------|
| 4 | <br>M8*45mm | 6 pcs |
| 8 |             | 6 pcs |





NOTE: Please put all the Bolts (4) into the holes before tightening the nuts.

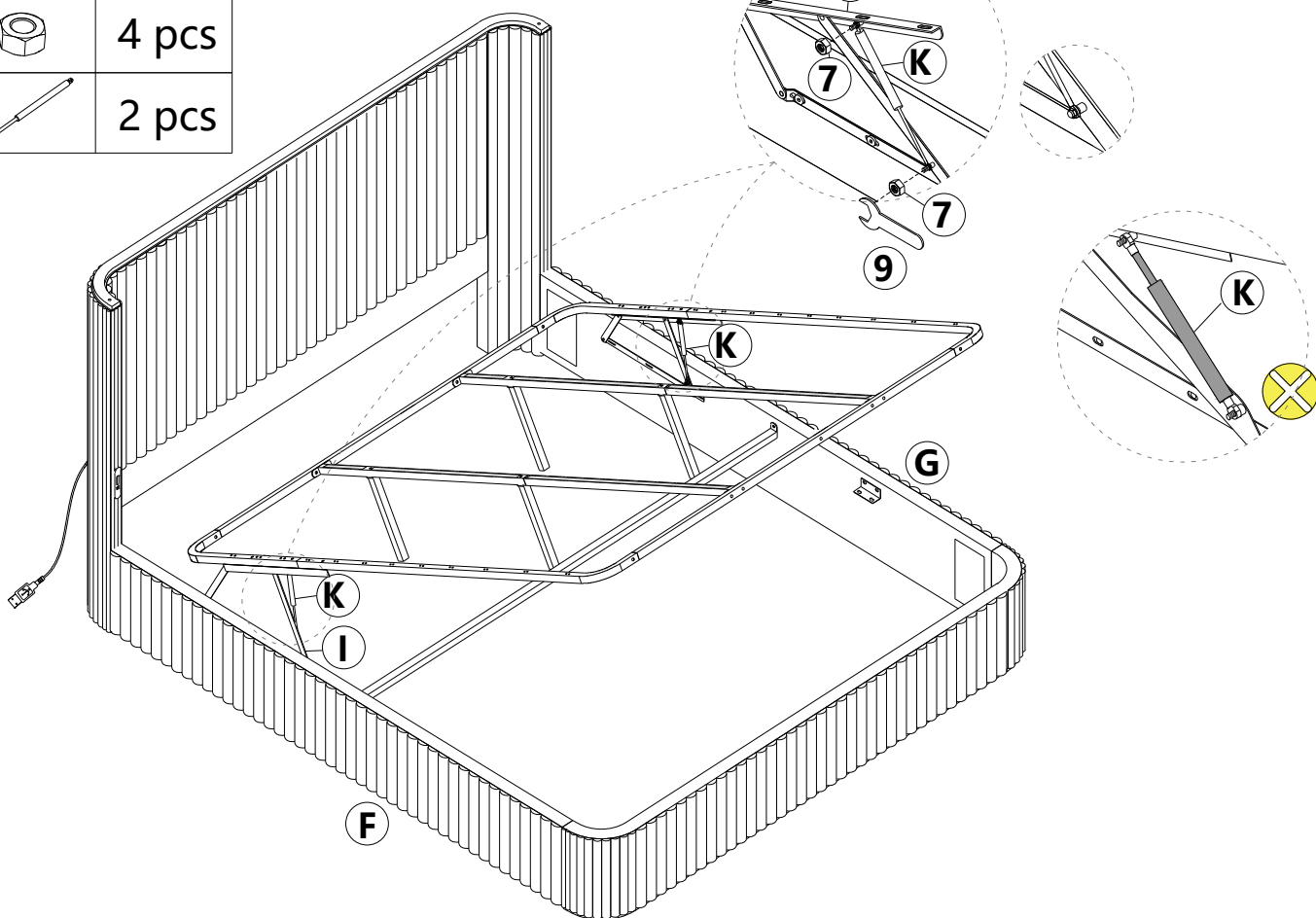
# STEP 18

|   |  |       |
|---|--|-------|
| 4 | <br>M8*45mm | 4 pcs |
|---|--|-------|

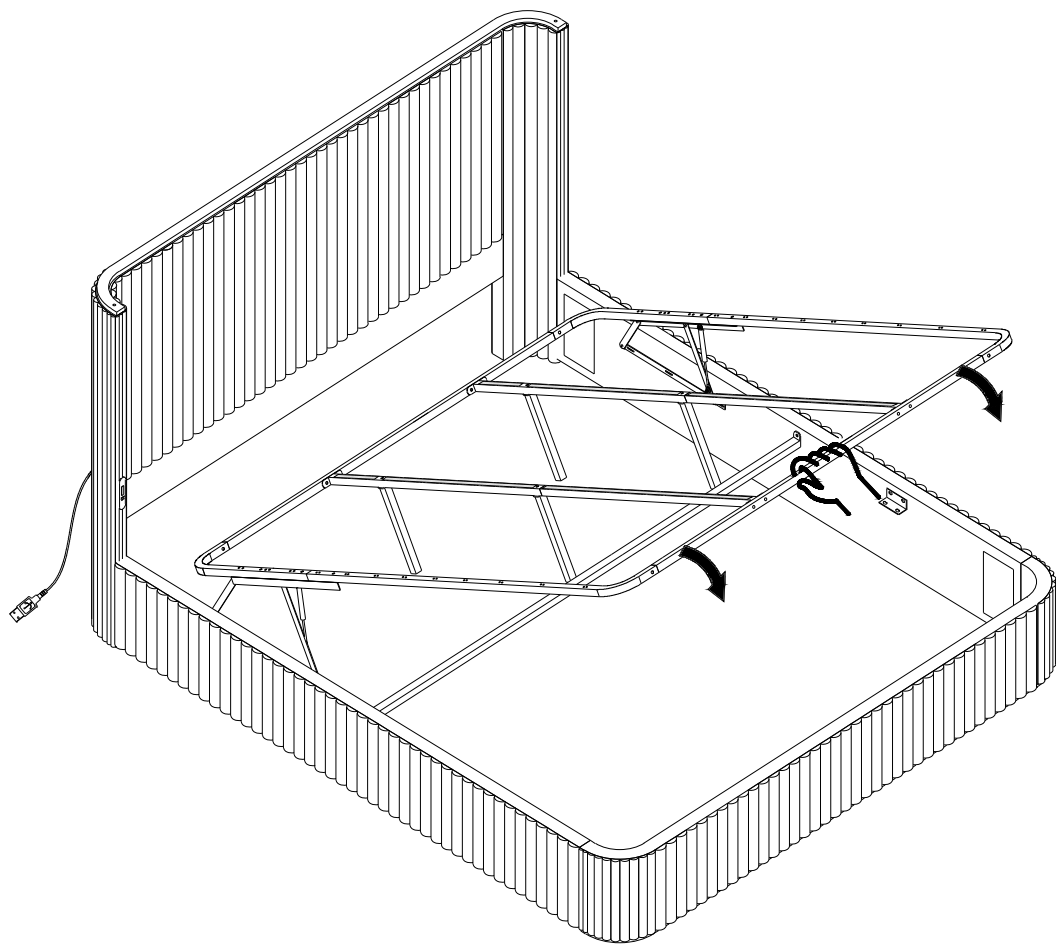


# STEP 19

|   |   |       |
|---|---|-------|
| 7 |  | 4 pcs |
| K |  | 2 pcs |

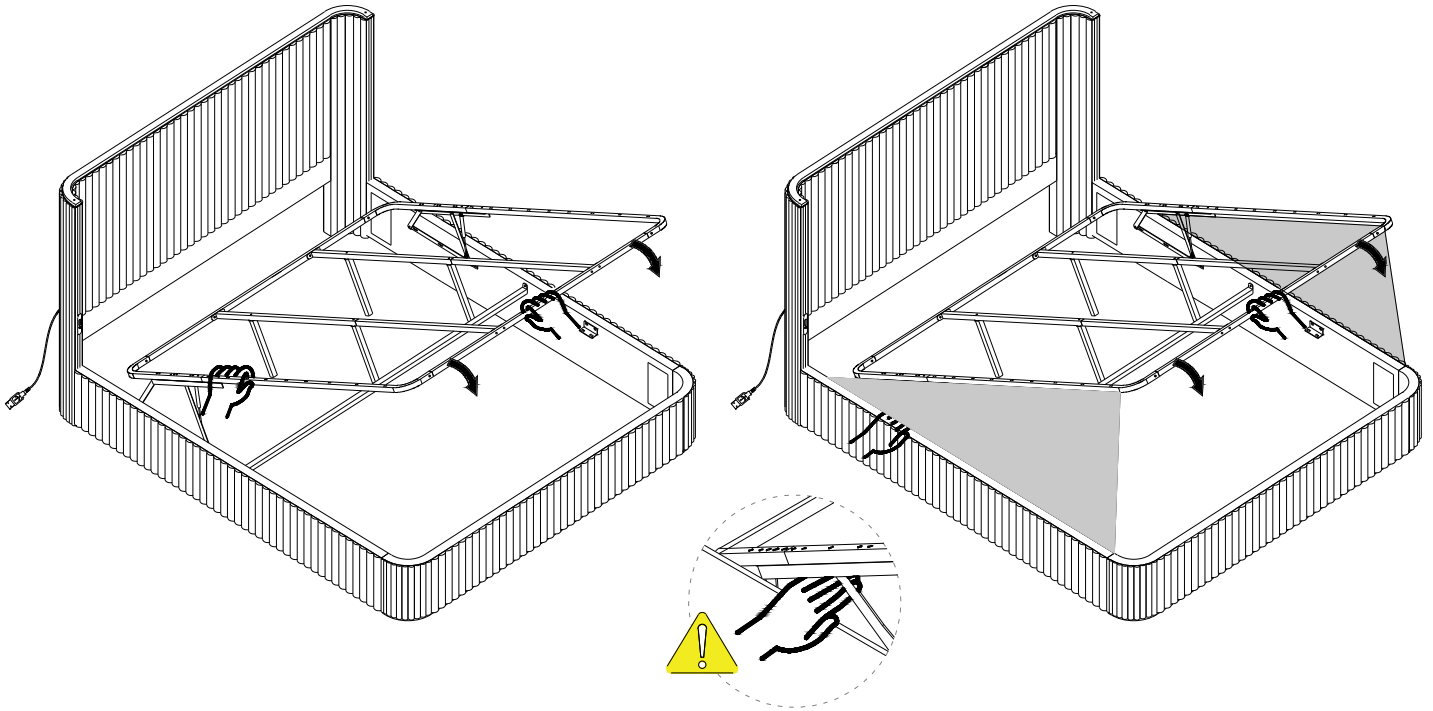


# STEP 20



# STEP 21



## Precautions for closing the bed frame:

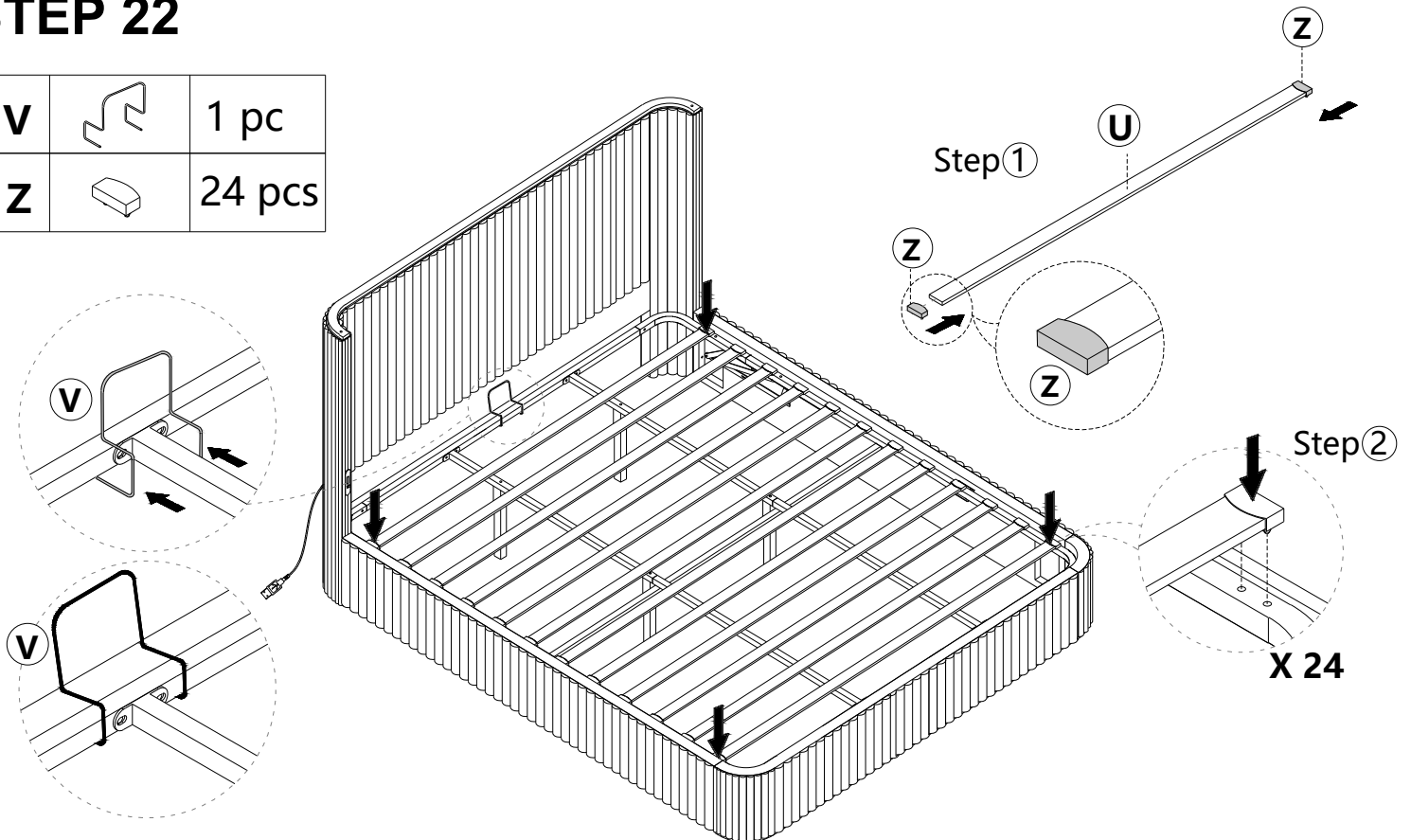


To avoid deformation of the metal frame, do not operate from the sides of the bed.

Make sure there are no obstructions under the metal frame to prevent injury.


# STEP 22

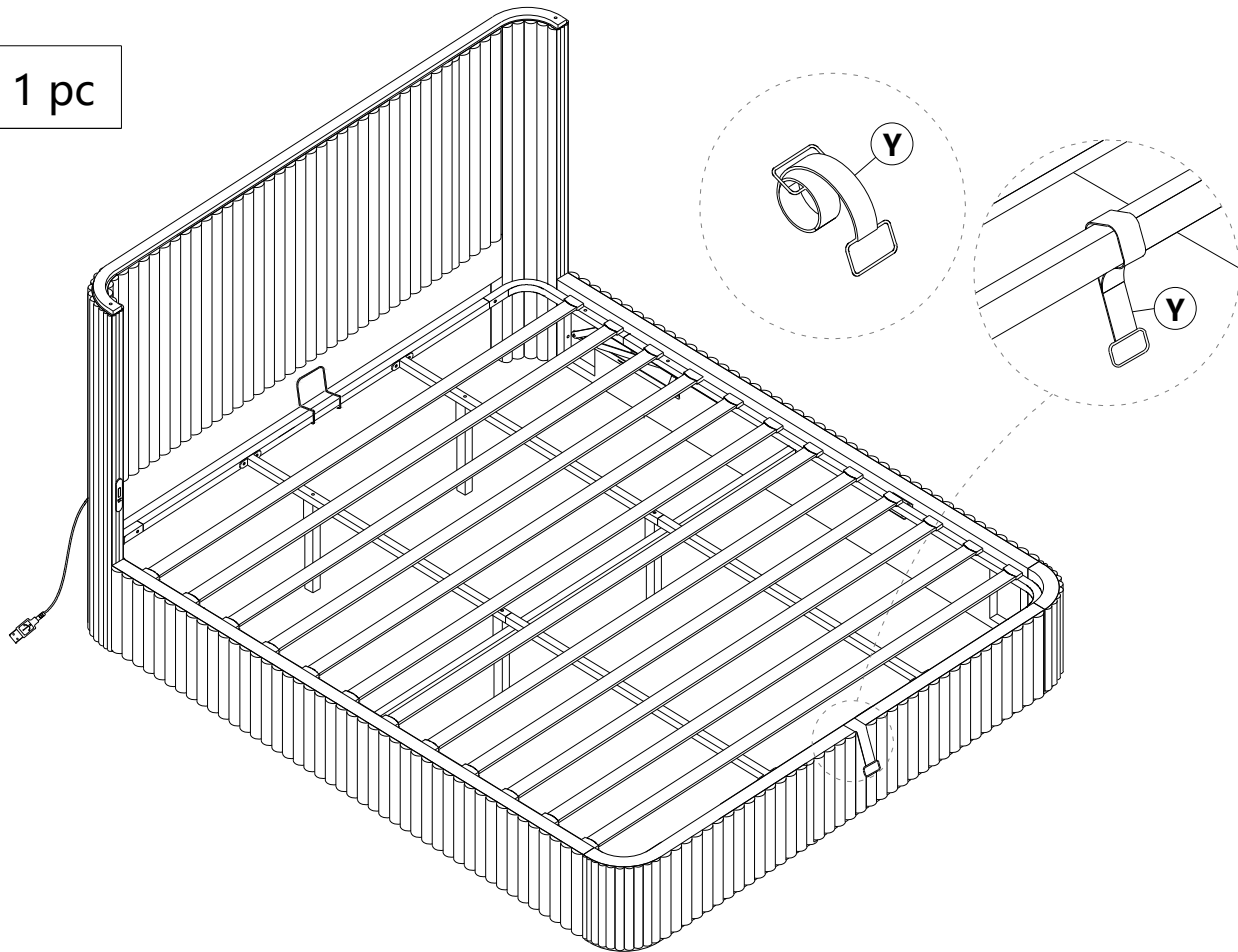
|          |   |        |
|----------|---|--------|
| <b>v</b> |  | 1 pc   |
| <b>z</b> |  | 24 pcs |







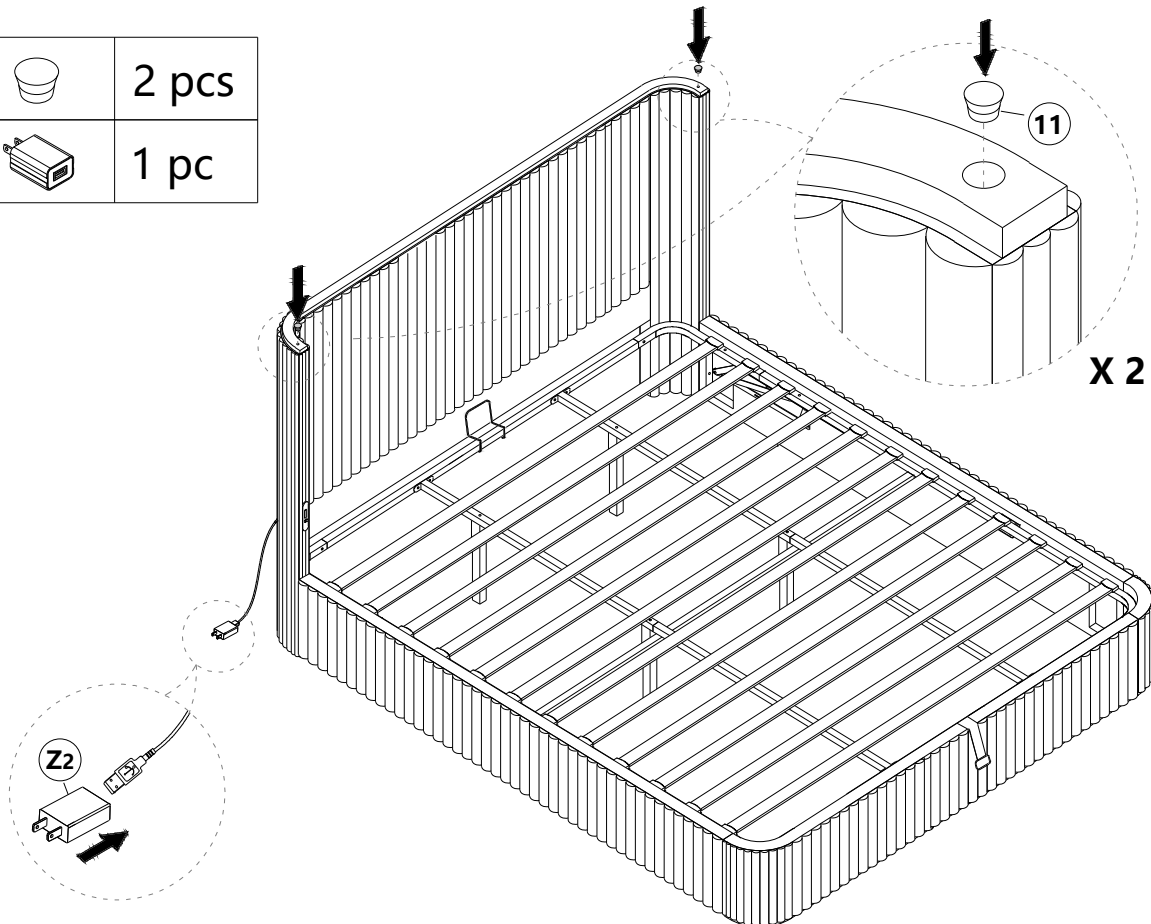
# STEP 23

|   |   |      |
|---|---|------|
| Y |  | 1 pc |
|---|---|------|

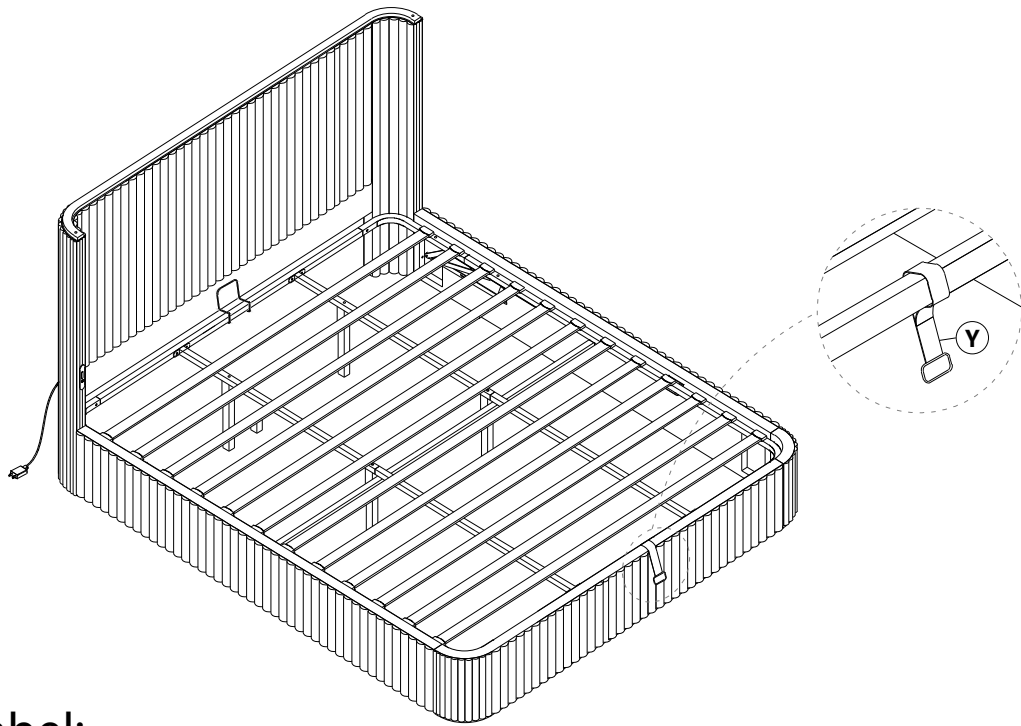


# STEP 24


|    |   |       |
|----|---|-------|
| 11 |  | 2 pcs |
| Z2 |  | 1 pc  |

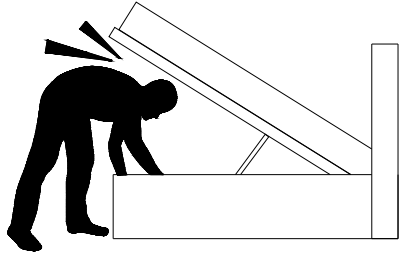



# STEP 25



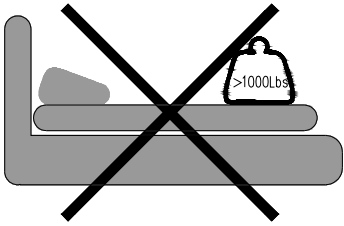
## Warning Label:

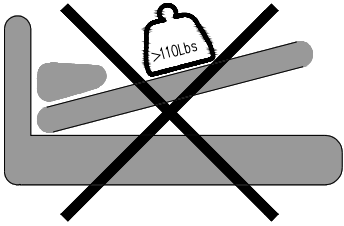
 **CAUTION:  
MIND YOUR HEAD**



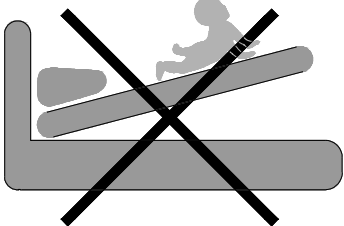


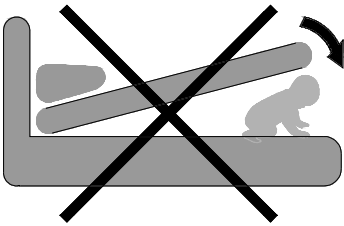
- .When lifting or lowering the bed frame, it can only support items weighing less than 110 pounds.
- .When lifting or lowering the bed frame, keep a safe distance between the body and the frame to avoid injury.
- .Ensure that there are no people or objects interfering with the bed's sides or footboard when lifting or lowering the bed frame to avoid any dangers.
- .Before entering underneath the bed, make sure the bed frame is lifted to its highest position and confirm it will not drop after being released.

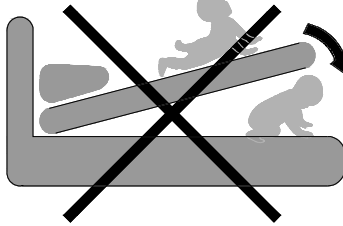




- .When the bed frame is used flat, the load-bearing capacity of the bed frame is 1000 pounds; when the bed frame is lifted, the load-bearing capacity is 110 pounds.
- .When lifting the bed to use the storage function, please note that the maximum weight limit is 110 pounds, and the external force pressing is strictly prohibited to prevent the bed frame from falling and causing injury.







- .When using the storage function, please ensure that the upper and lower areas of the bed are safe and free of any biological traces to prevent injury.

## MAINTAINANCE AND WARNING

- Keep furniture away from heat.
- Do not clean furniture with harsh cleansers or polish. Do not use detergents, Solvents, abrasives, spray packs or leather cleaner. Use non-color mild soap with warm water clean spills(Mix 1:10 soap to water)
- Do not place furniture under direct sunlight, material will possibly fade over time.
- Do not use on site dry Cleaning machine.
- Children should not climb or jump on the furniture.
- Do not write on furniture without a padded barrier to protect the surface.
- Not for commercial use, For residential use only.
- The maximum load is 1000 LBS.

## WARRANTY

We strive to offer high-quality products, and we also try our best to satisfy each and every customer that orders from us with product or service as needed. We provide 30 days warranty starting from the time you receive the item. Each customer must provide a record of their order such as the order number, or item receipt for any items that are out of the warranty period you may also still receive replacement parts by purchasing them with our company if they are available.

Are you having difficulty with assembly? Missing parts? Please send email with your order No to [customerservice@hulalahome.com](mailto:customerservice@hulalahome.com)

For return, please check the return policy with the retailer or market place you bought from. Appreciate your purchasing from us. Pop up your life by our furniture piece!