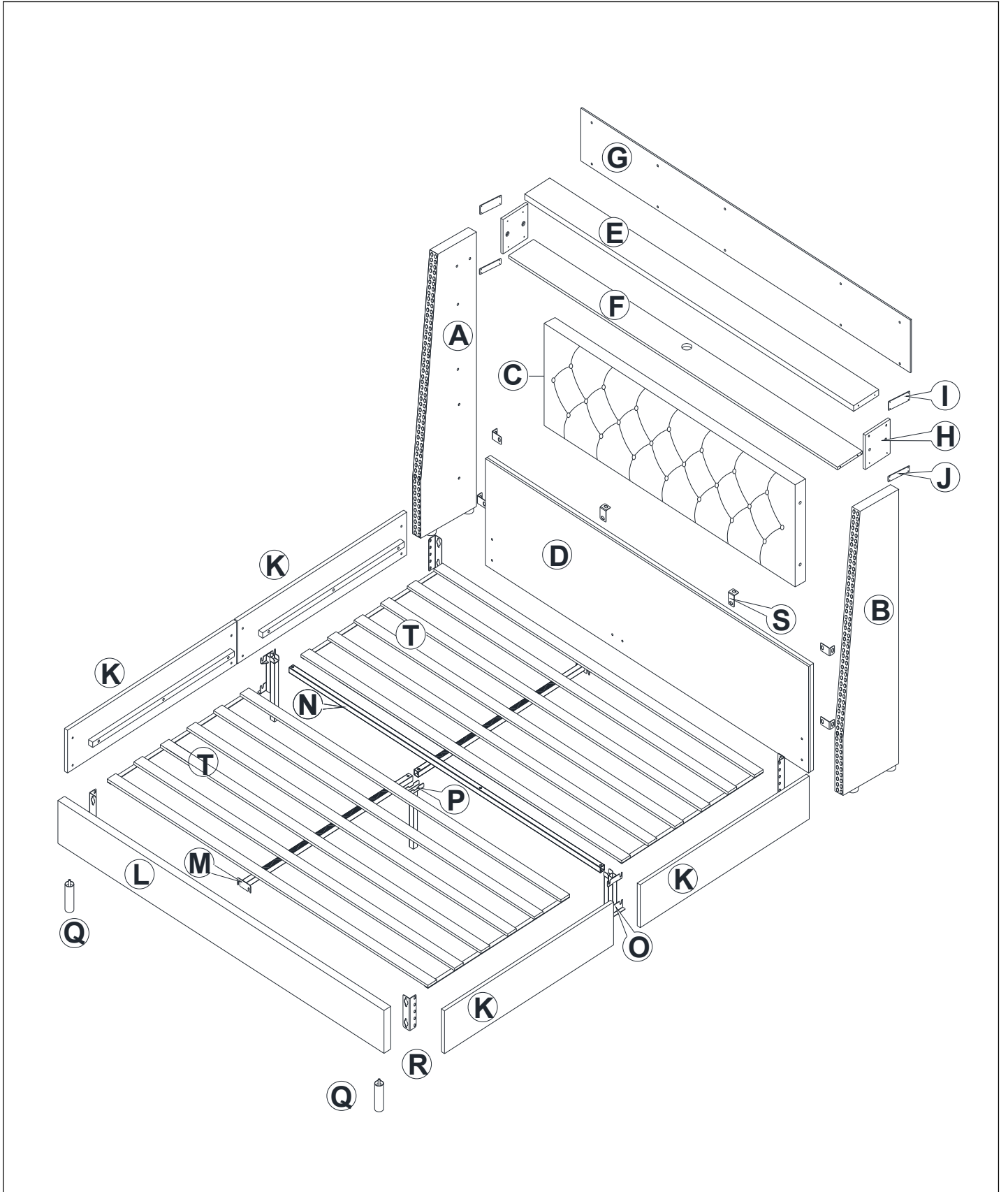




ITEM NO. Z6BDXS0339 Queen Bed

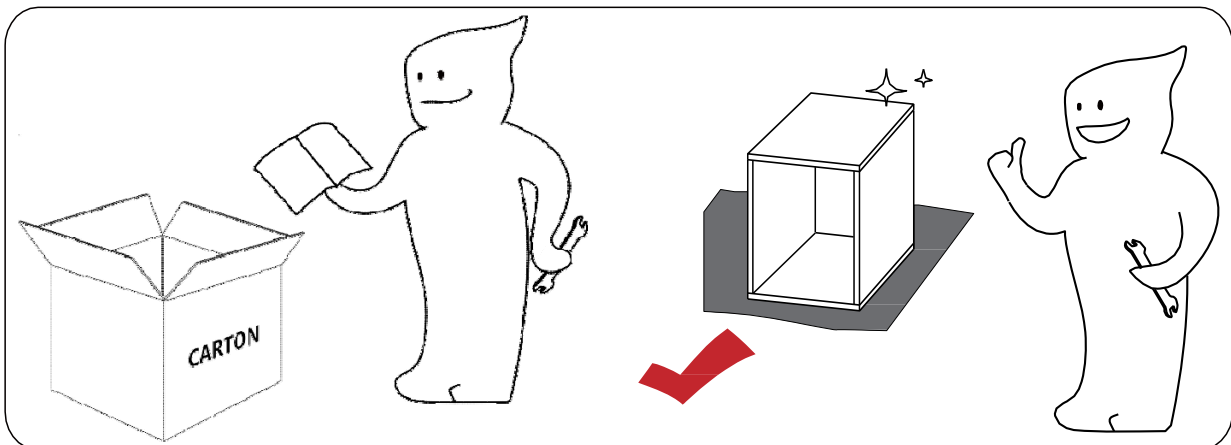
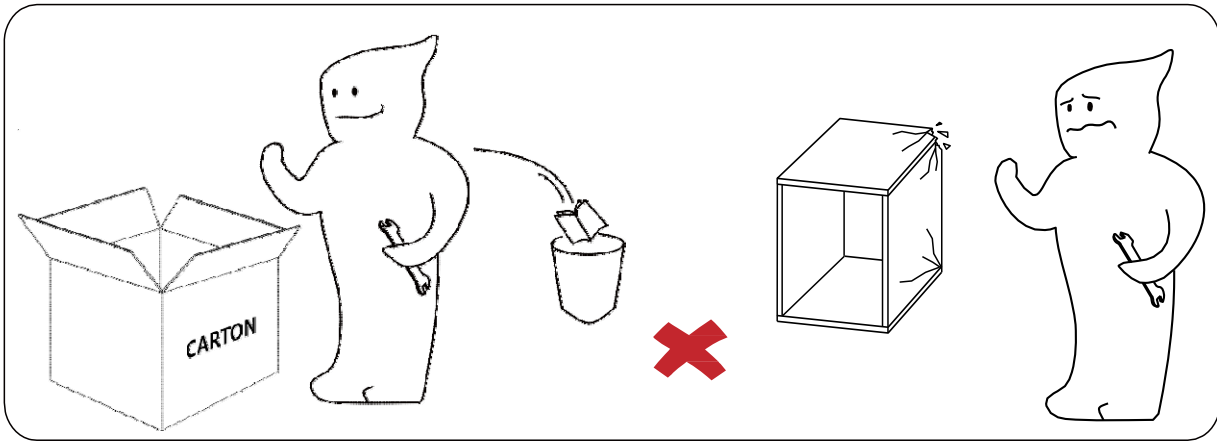
Thank you for purchasing the Bed. Please read the instructions and warnings carefully before use, to ensure safe and satisfactory operation of this product. At HULALA home we are committed to making great products possible. From our in-house Design Team, to our Buyers, we work together to bring great designs to life. Our expert Product Technologists work collaboratively with our buyers and suppliers to assure the legality, safety and quality of the product we sell. We are all committed to designing and developing products to the highest industry standards. We hope you are happy with your product and welcome any feedback or comments you may have.

Exploded Diagram



! IMPORTANT

Please follow the instruction manuals and use a pad to protect the product during your assembly.



Note:

1. Should be assembled on soft surface to keep balance.



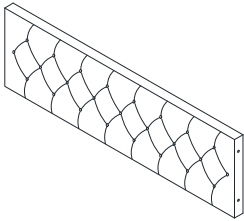
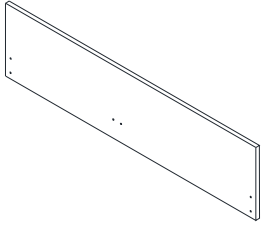
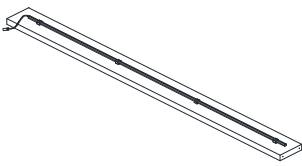
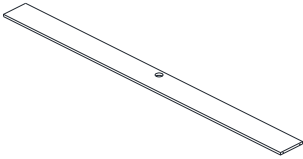
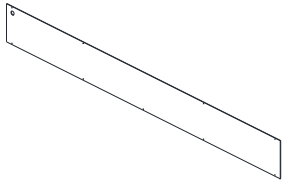
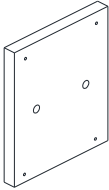
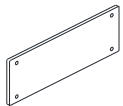
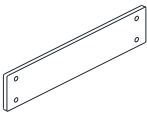
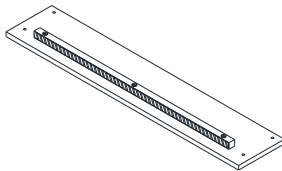
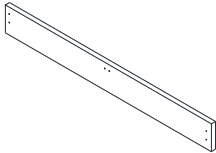
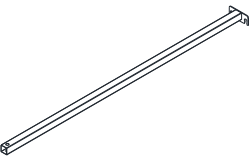
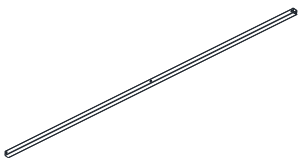
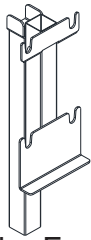
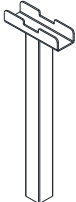

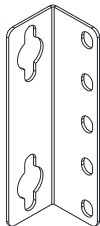
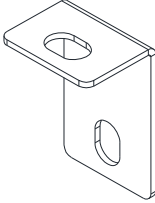
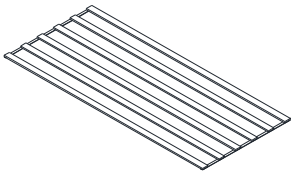
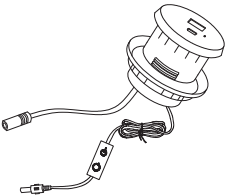
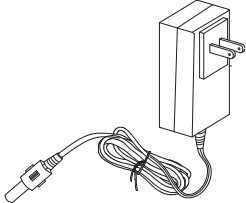
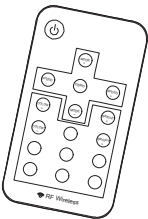


Recommend 2 or more adults for quicker assembly.

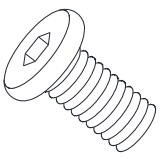
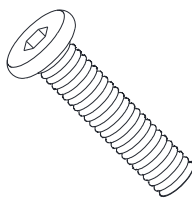
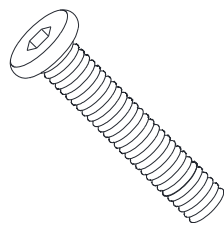
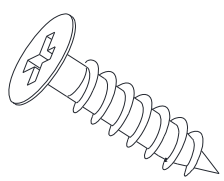
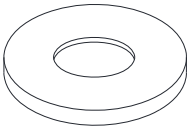

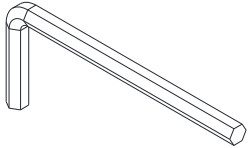
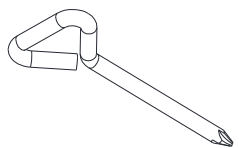


Take 2 adults about 2 hours to finish assembly.

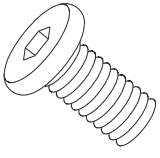
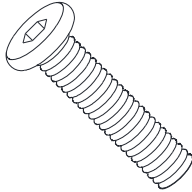
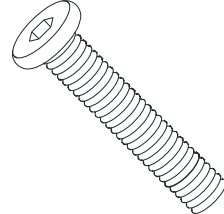
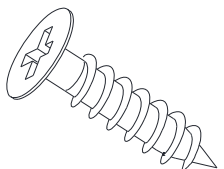
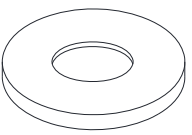
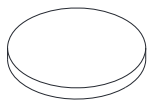
PARTS LIST

<p>A x 1</p>  <p>Left Headboard Side Leg</p>	<p>B x 1</p>  <p>Right Headboard Side Leg</p>	<p>C x 1</p>  <p>Headboard-Upper</p>	<p>D x 1</p>  <p>Headboard-Under</p>
<p>E x 1</p>  <p>Top Panel</p>	<p>F x 1</p>  <p>Shelf Panel</p>	<p>G x 1</p>  <p>Back Panel</p>	<p>H x 2</p>  <p>Vertical Panel</p>
<p>I x 2</p>  <p>Connecting Plate-L</p>	<p>J x 2</p>  <p>Connecting Plate-S</p>	<p>K x 4</p>  <p>Side Rail</p>	<p>L x 1</p>  <p>Foot board</p>
<p>M x 2</p>  <p>Middle Cross Beam</p>	<p>N x 1</p>  <p>Cross Beam</p>	<p>O x 2</p>  <p>Edge of the Foot</p>	<p>P x 1</p>  <p>Middle Leg</p>
<p>Q x 2</p>  <p>FB Leg</p>	<p>R x 4</p>  <p>Connector</p>	<p>S x 6</p>  <p>Bracket</p>	<p>T x 2</p>  <p>Slats</p>
<p>U x 1</p>  <p>USB+Type-C</p>	<p>V x 1</p>  <p>Power</p>	<p>W x 1</p>  <p>Remote Control</p>	

HARDWARE LIST

1	x 40	2	x 8	3	x 5	4	x 26
							
Blot M8*15mm		Blot M8*35mm		Blot M8*50mm		Screw	
5	x 4	6	x 4	7	x 1	8	x 1
							
Plat Washer		PVC Cover		Allen Wrench		Allen Key	



SPARE

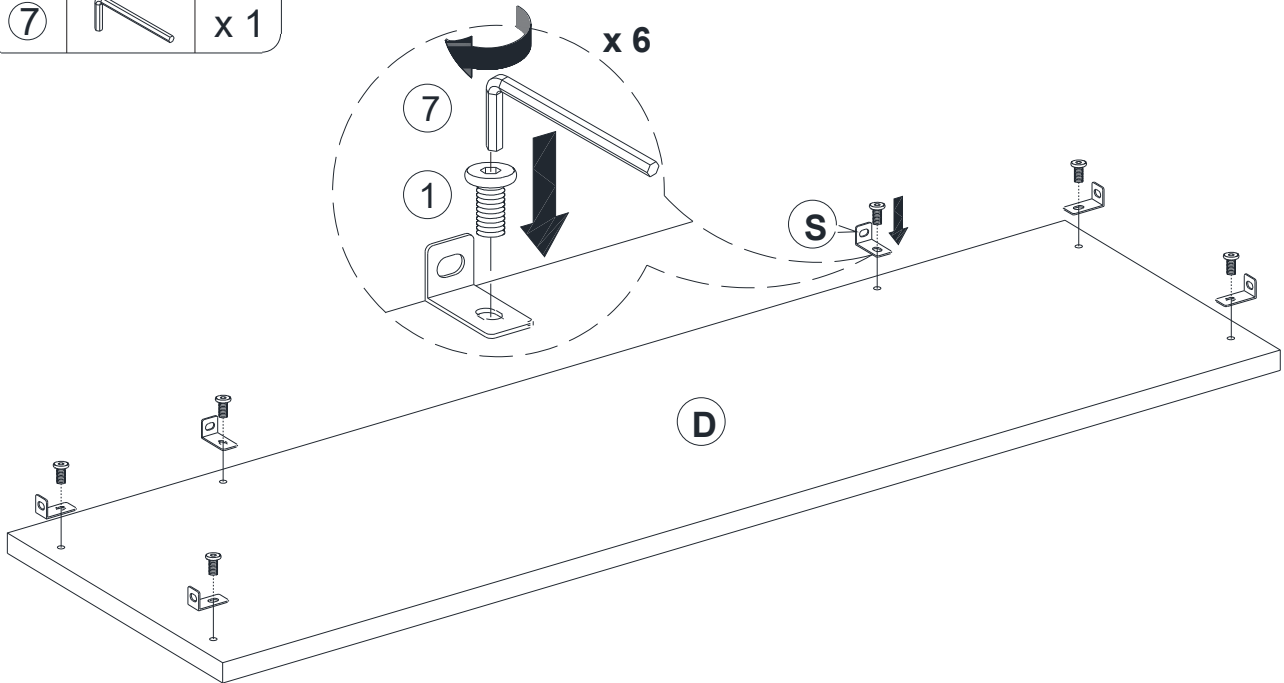
1	x 2	2	x 1	3	x 1	4	x 3
							
Blot M8*15mm		Blot M8*35mm		Blot M8*50mm		Screw	
5	x 1	6	x 1				
							
Plat Washer		PVC Cover					

Be sure to check all packing material carefully for small parts, which may have come loose inside the carton during shipment.


ASSEMBLY INSTRUCTION

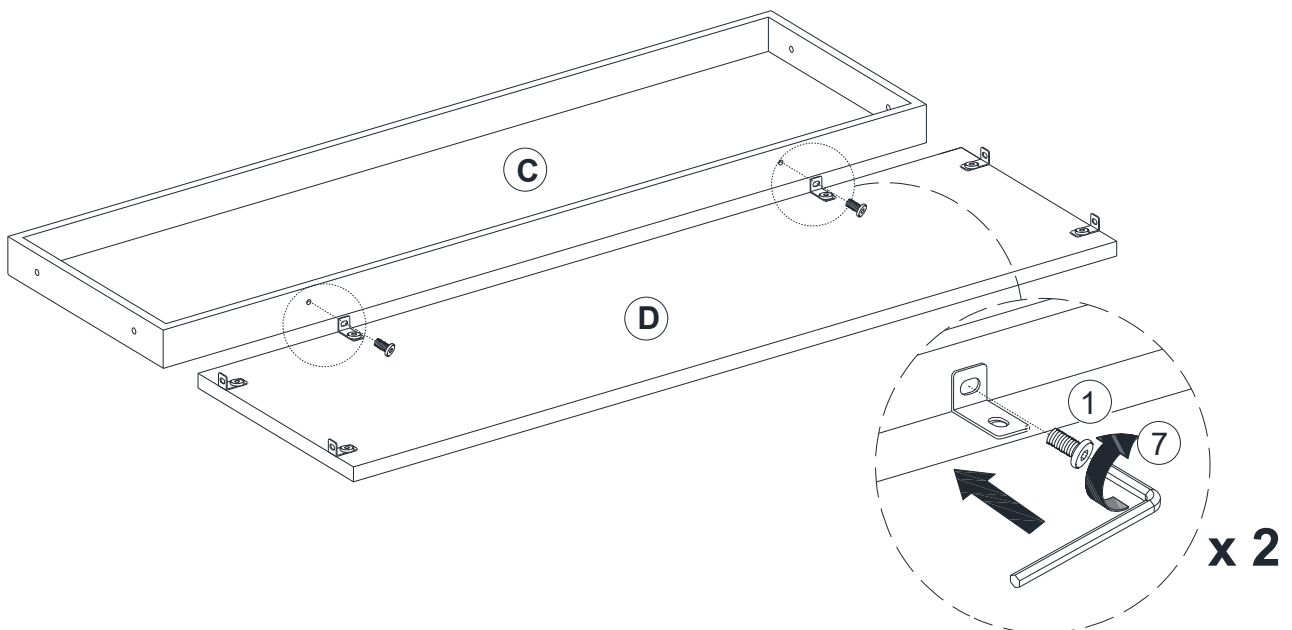
STEP 1

①		x 6
⑦		x 1

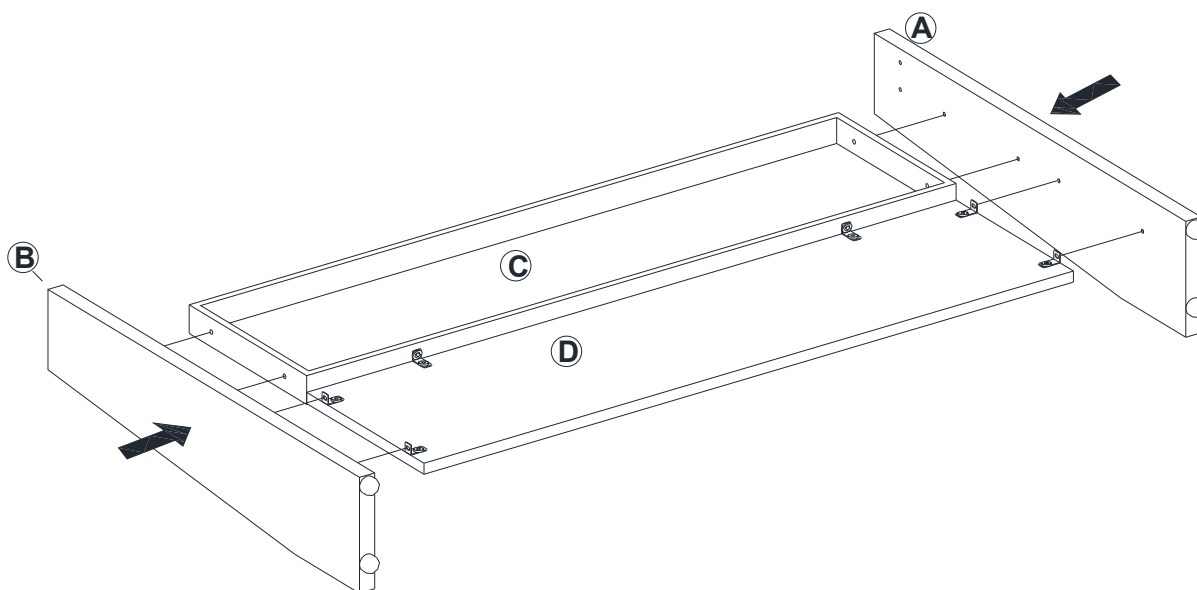


STEP 2




①		x 2
---	---	-----

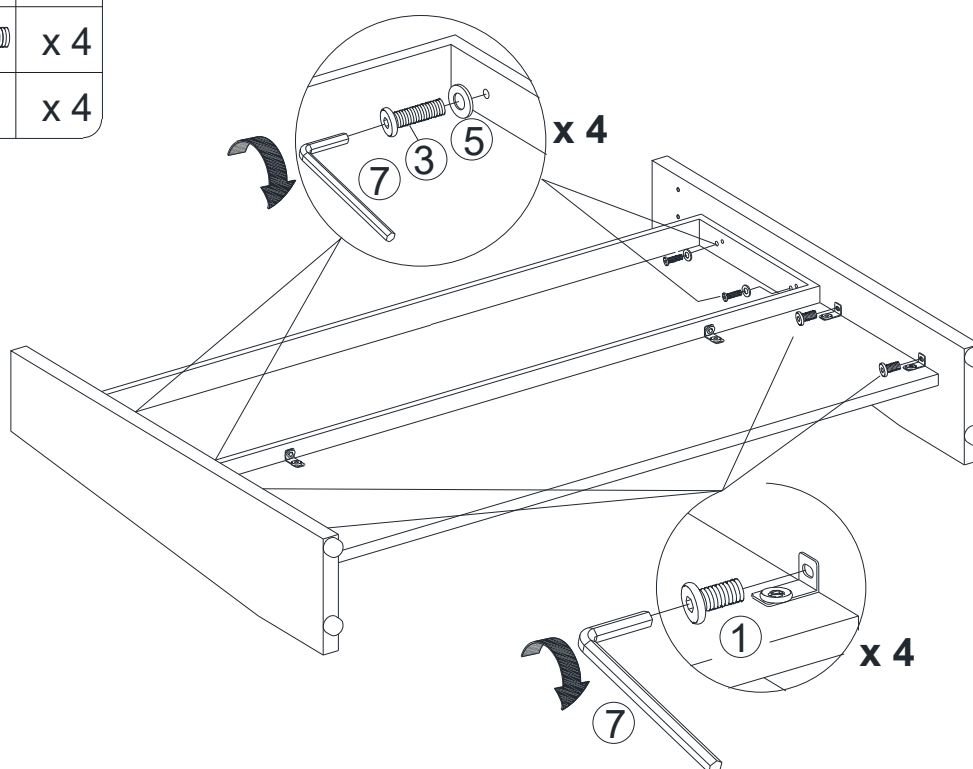


STEP 3

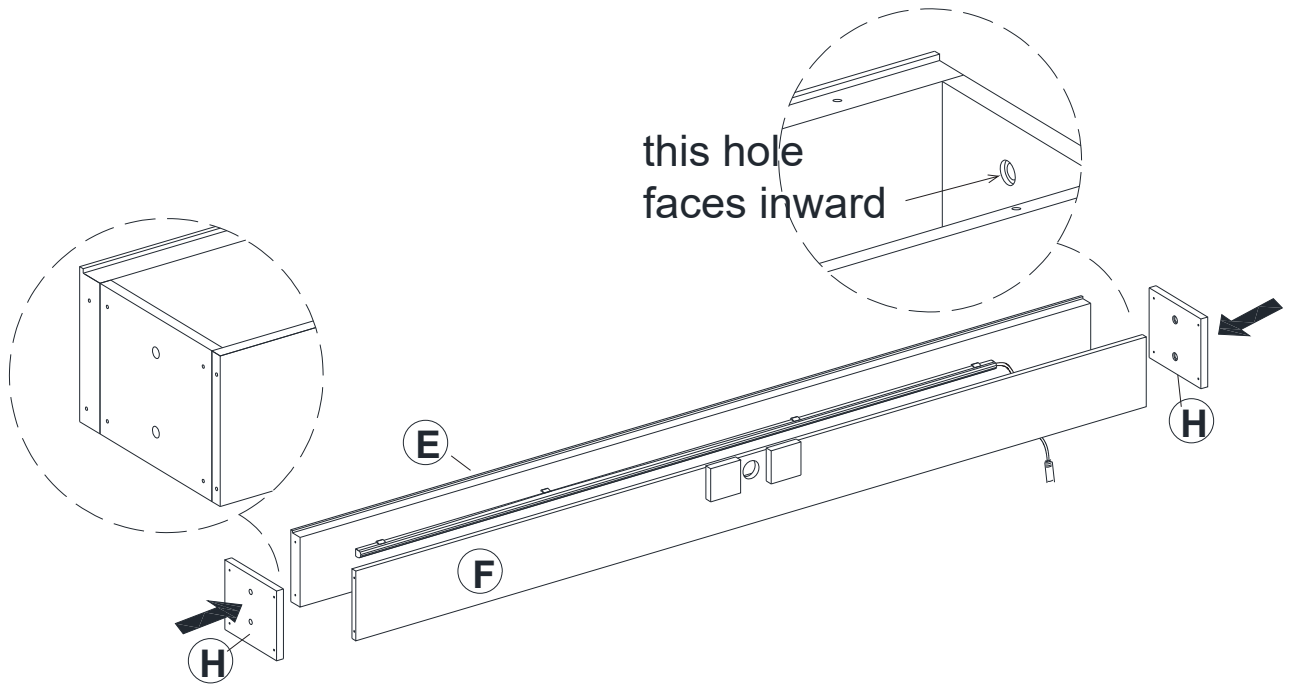


STEP 4



①		x 4
③		x 4
⑤		x 4

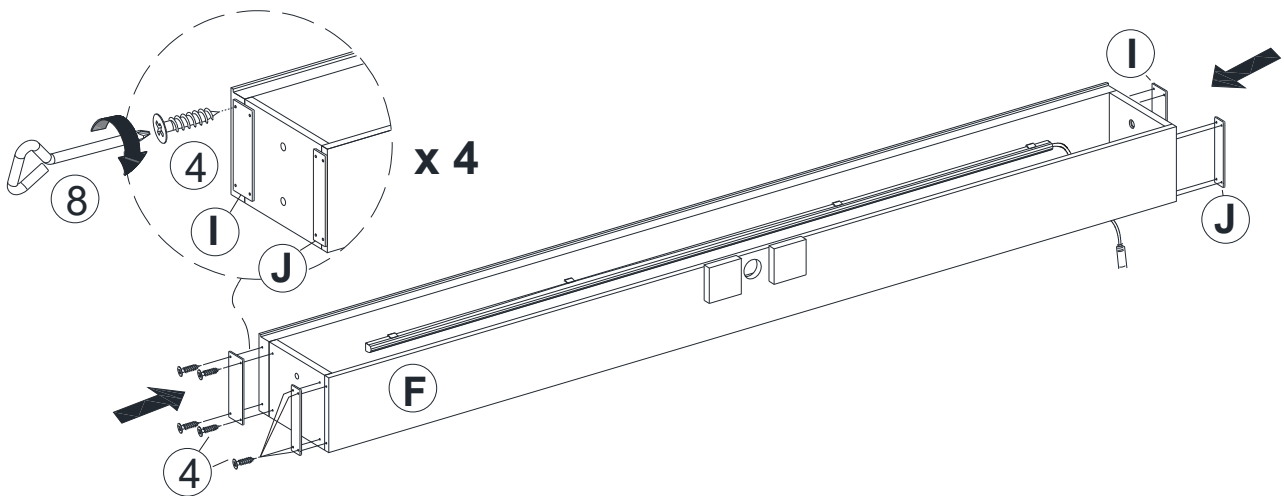


STEP 5

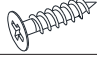
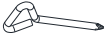


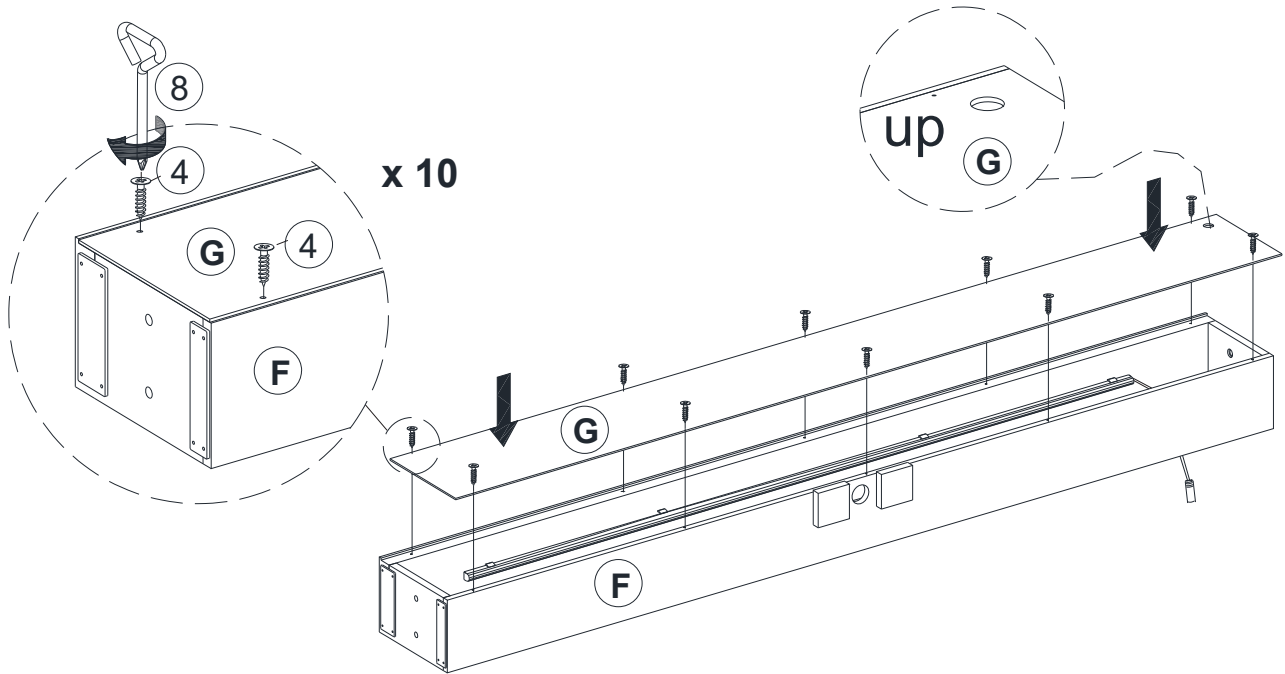
STEP 6

④		x16
⑧		x1

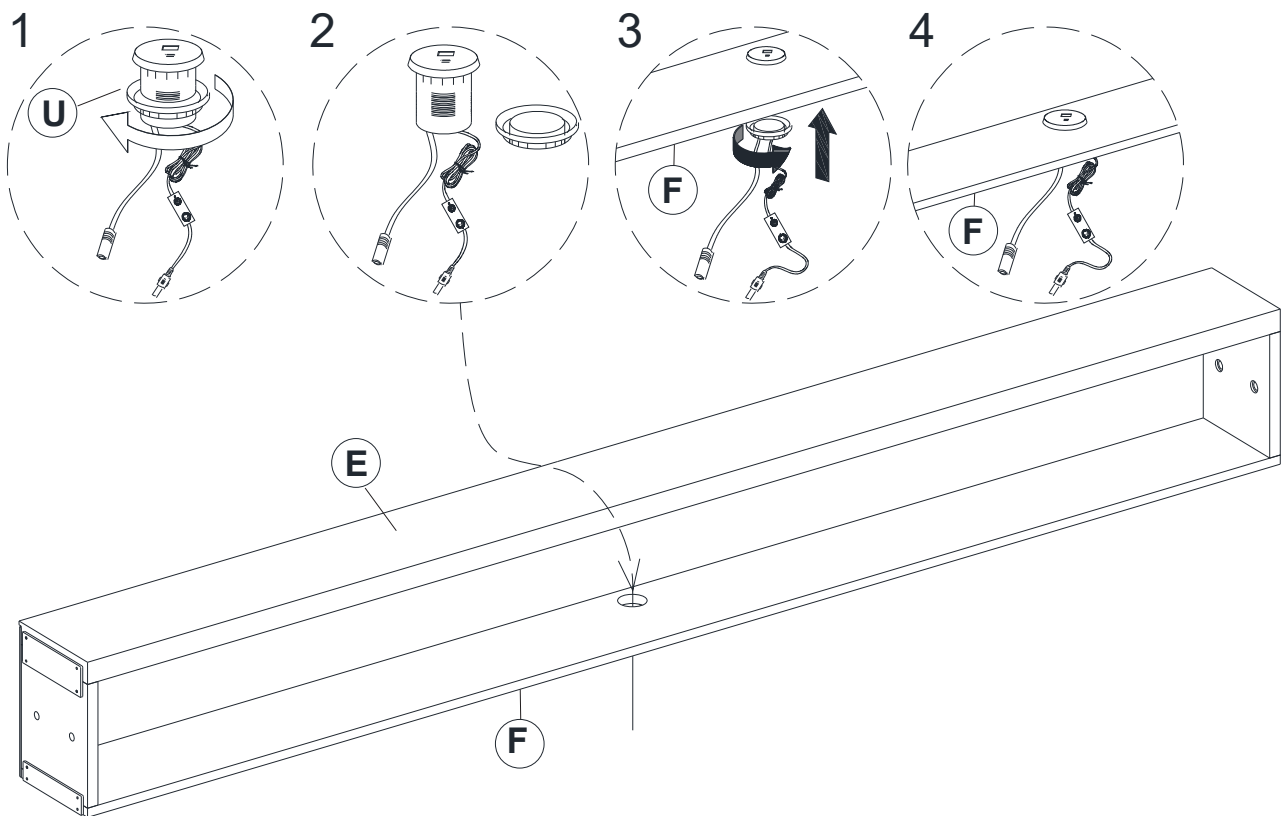


STEP 7

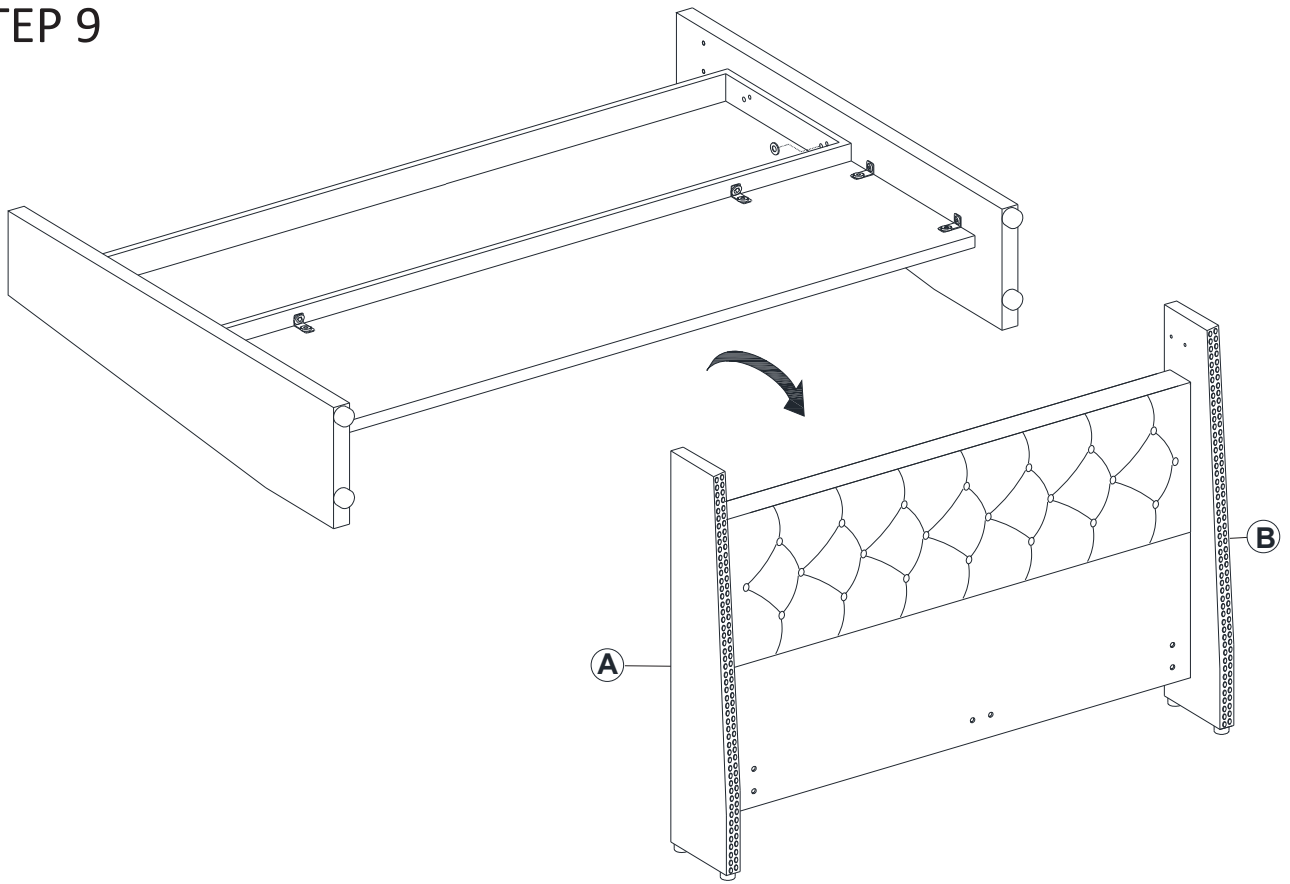
4		x10
8		x1



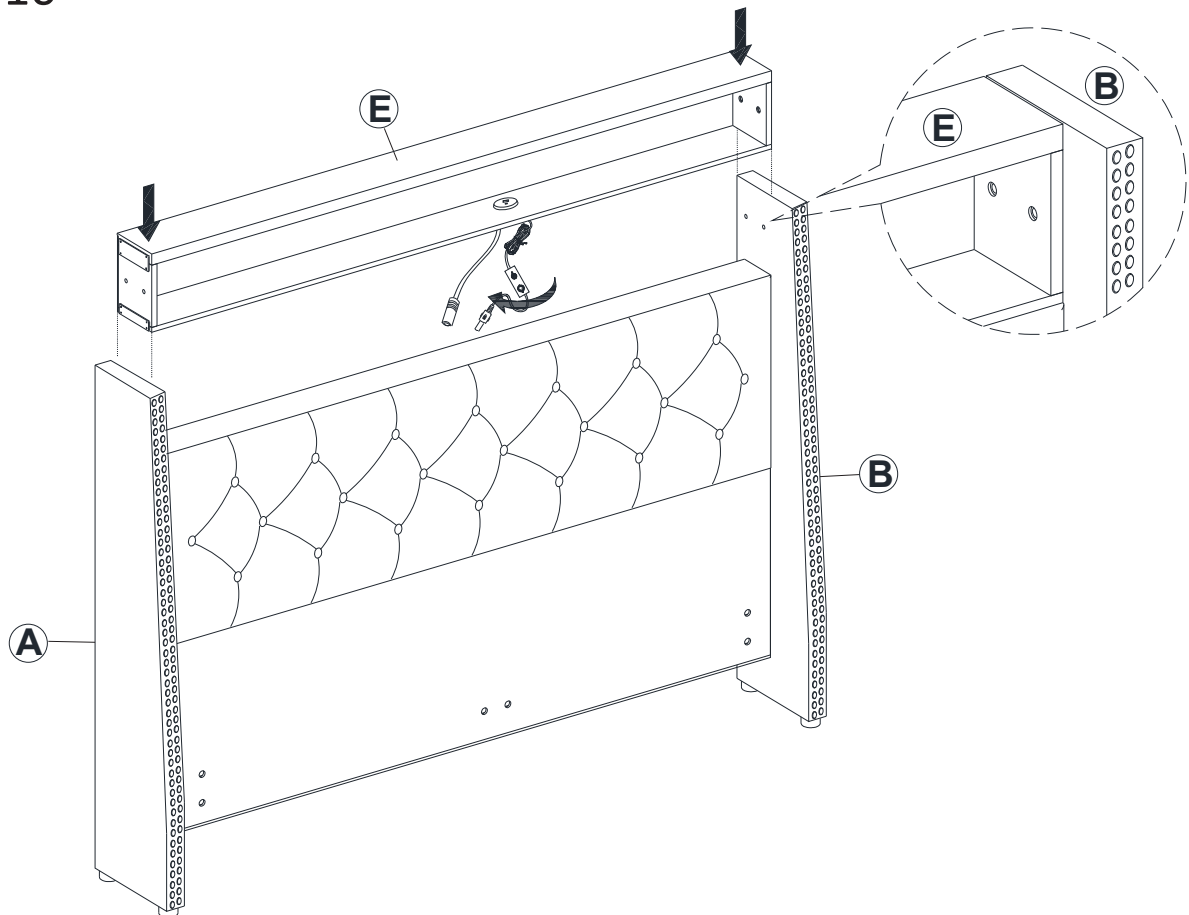
STEP 8



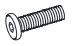


STEP 9



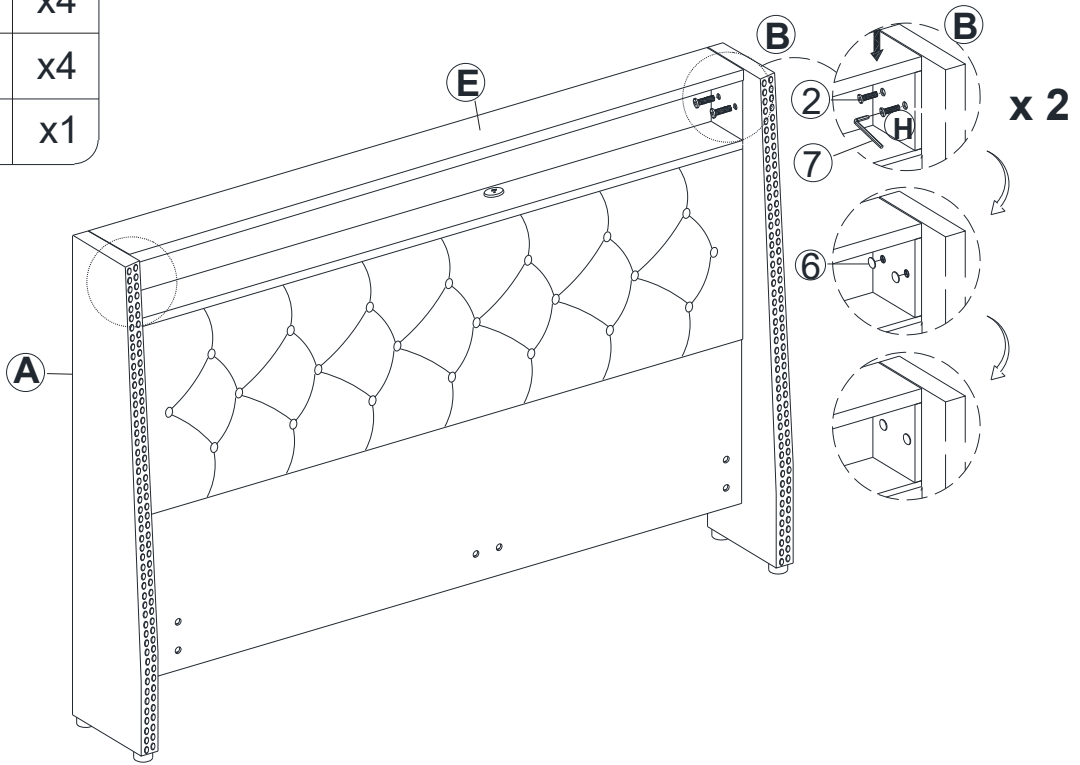
STEP 10




STEP 11

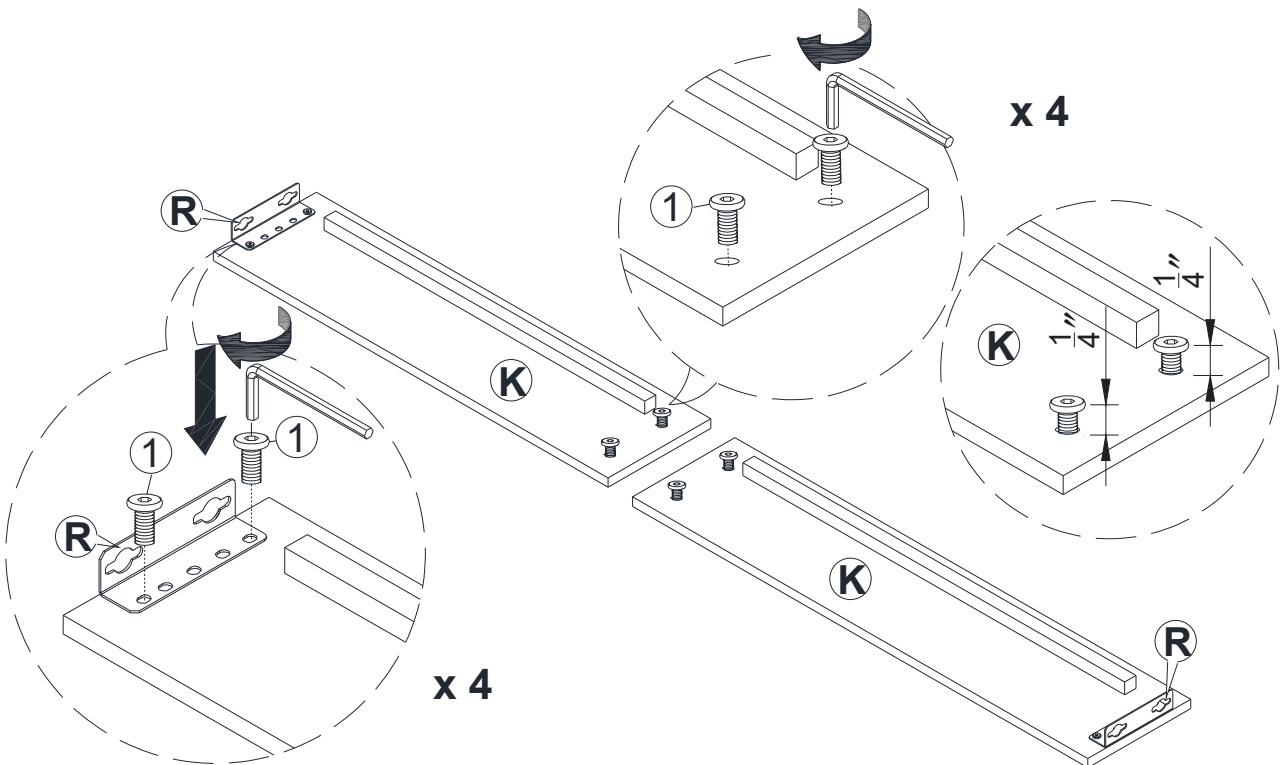
②		x4
⑥		x4
⑦		x1

Apply pressure to make sure the holes are aligned.

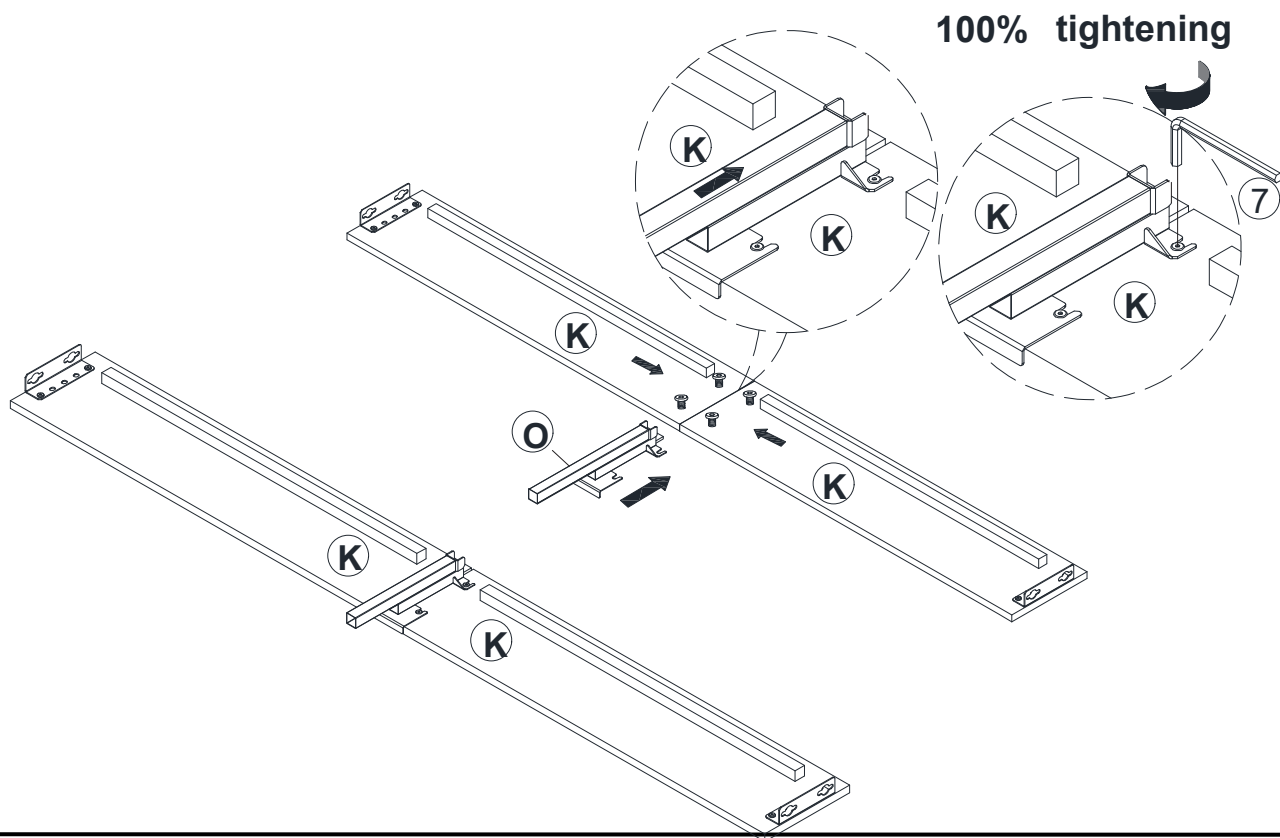


STEP 12

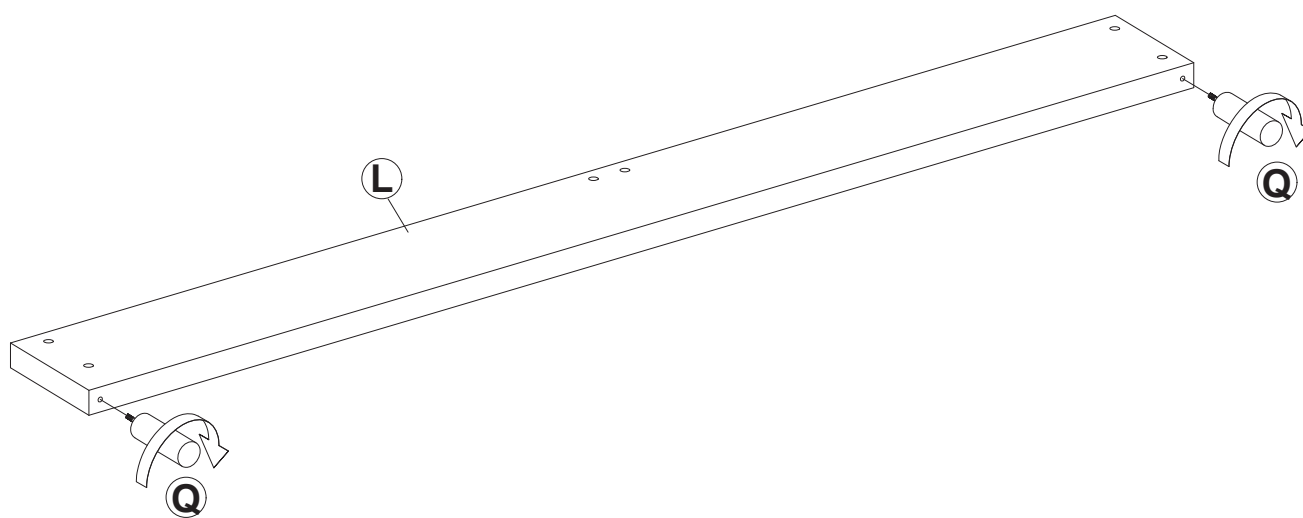
①		x16
---	---	-----



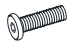
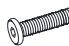
STEP 13

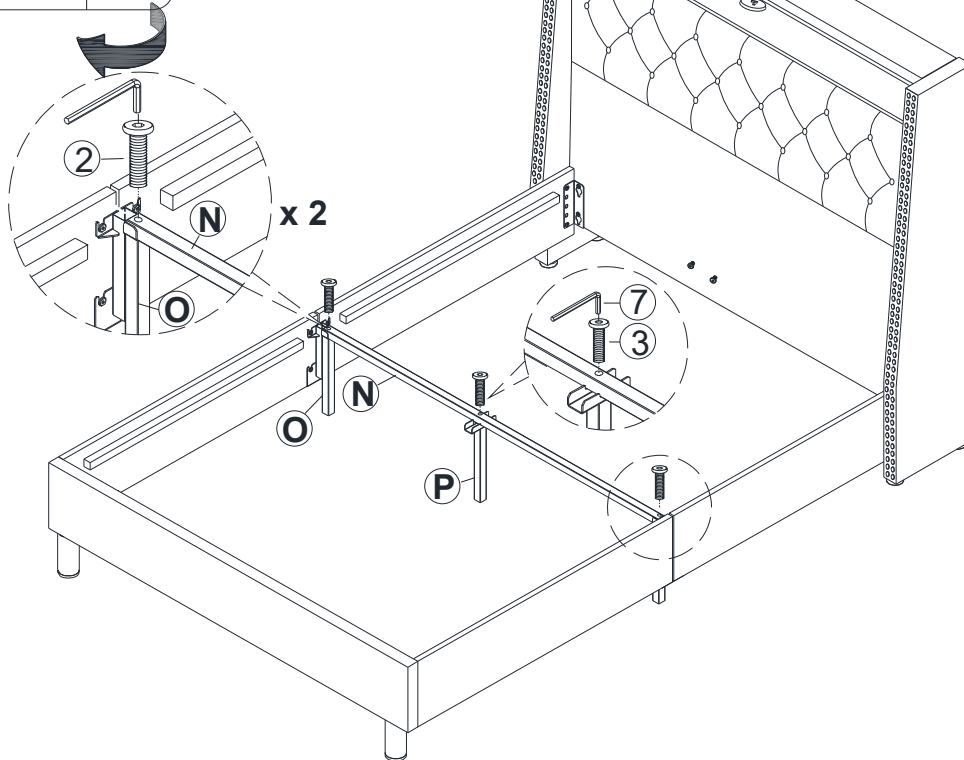


STEP 14

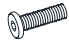


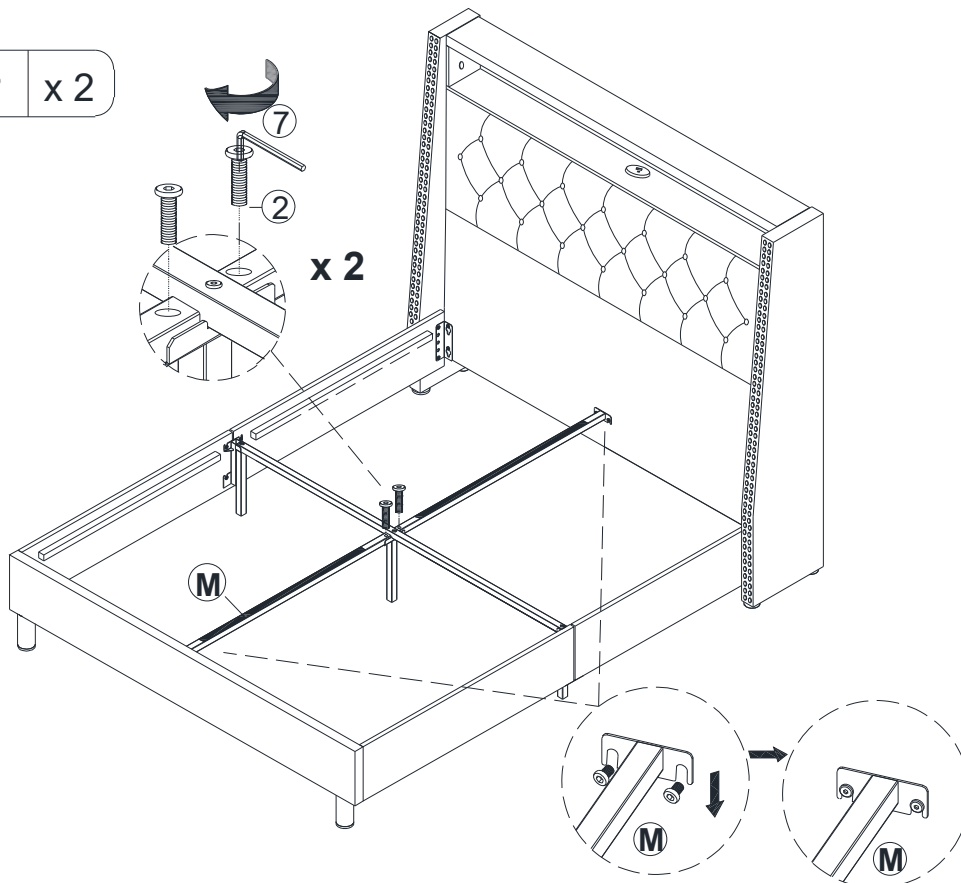
STEP 17

②		x 2
③		x 1

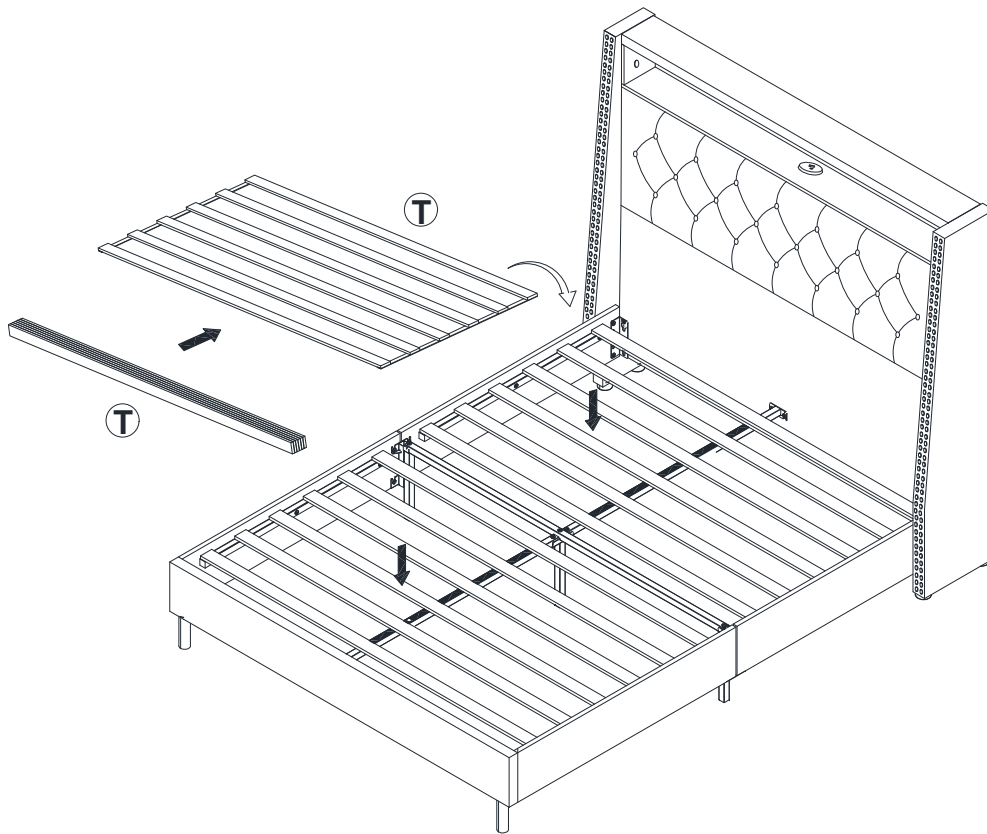


STEP 18

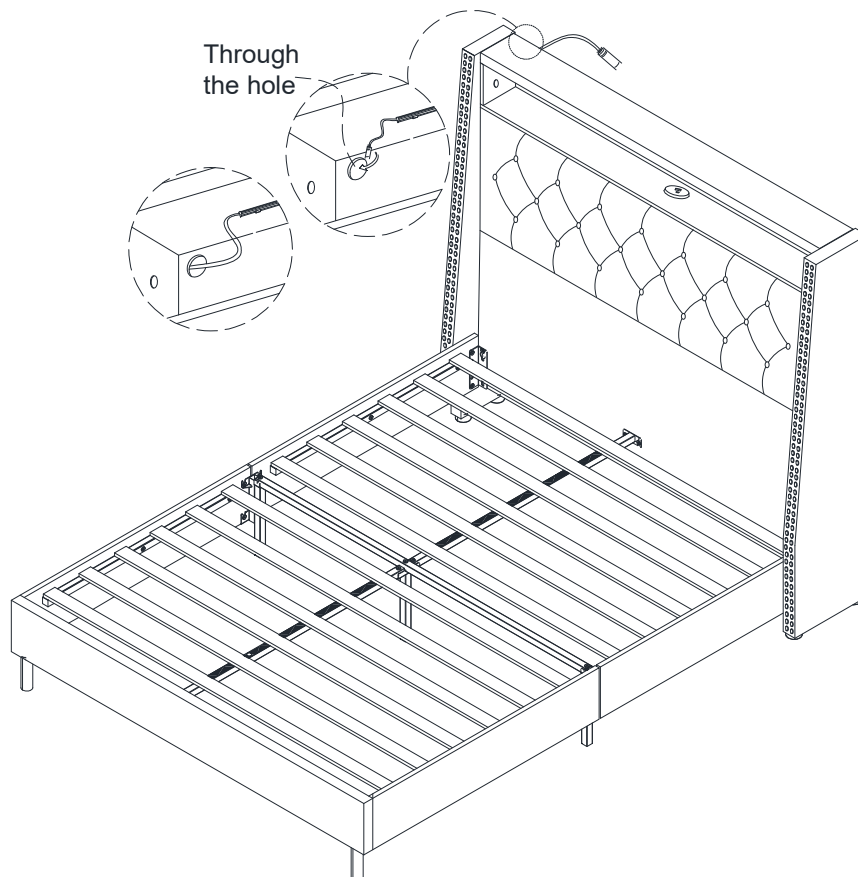
②		x 2
---	---	-----



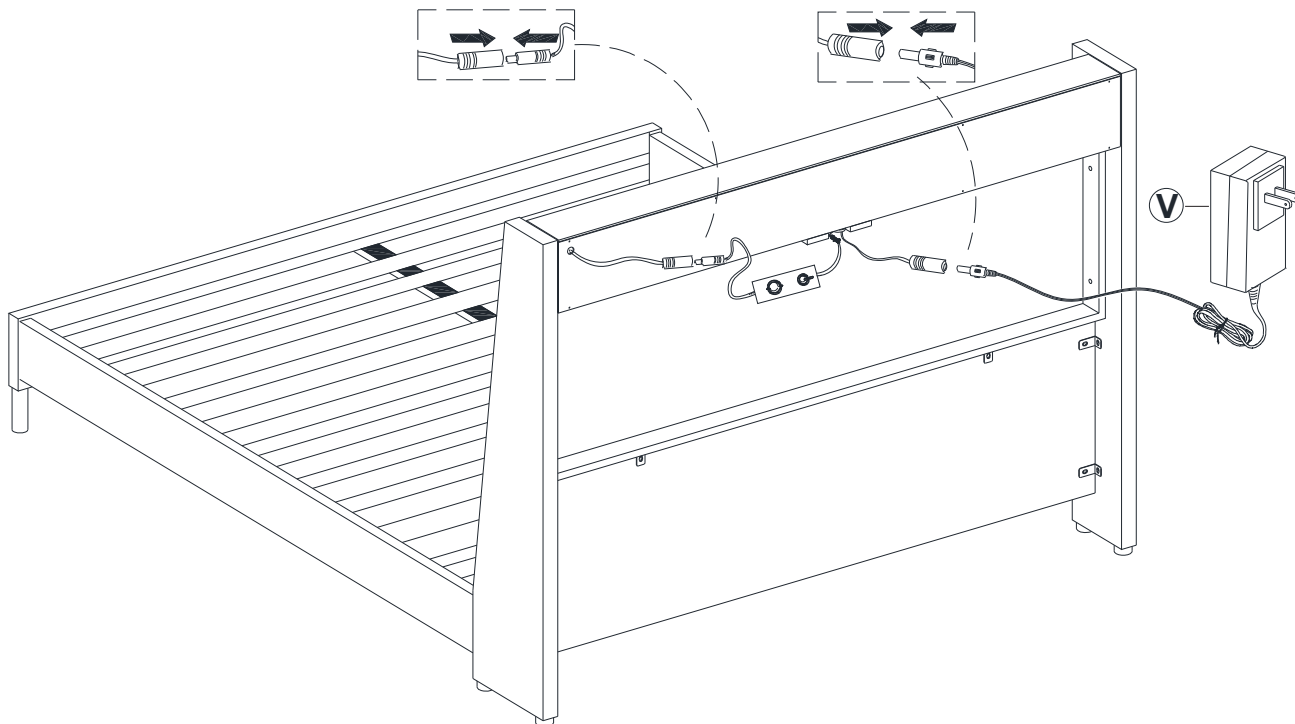
STEP 19



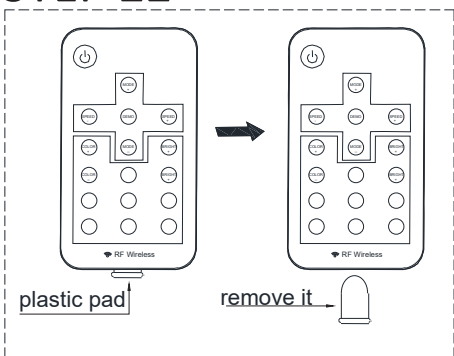
STEP 20



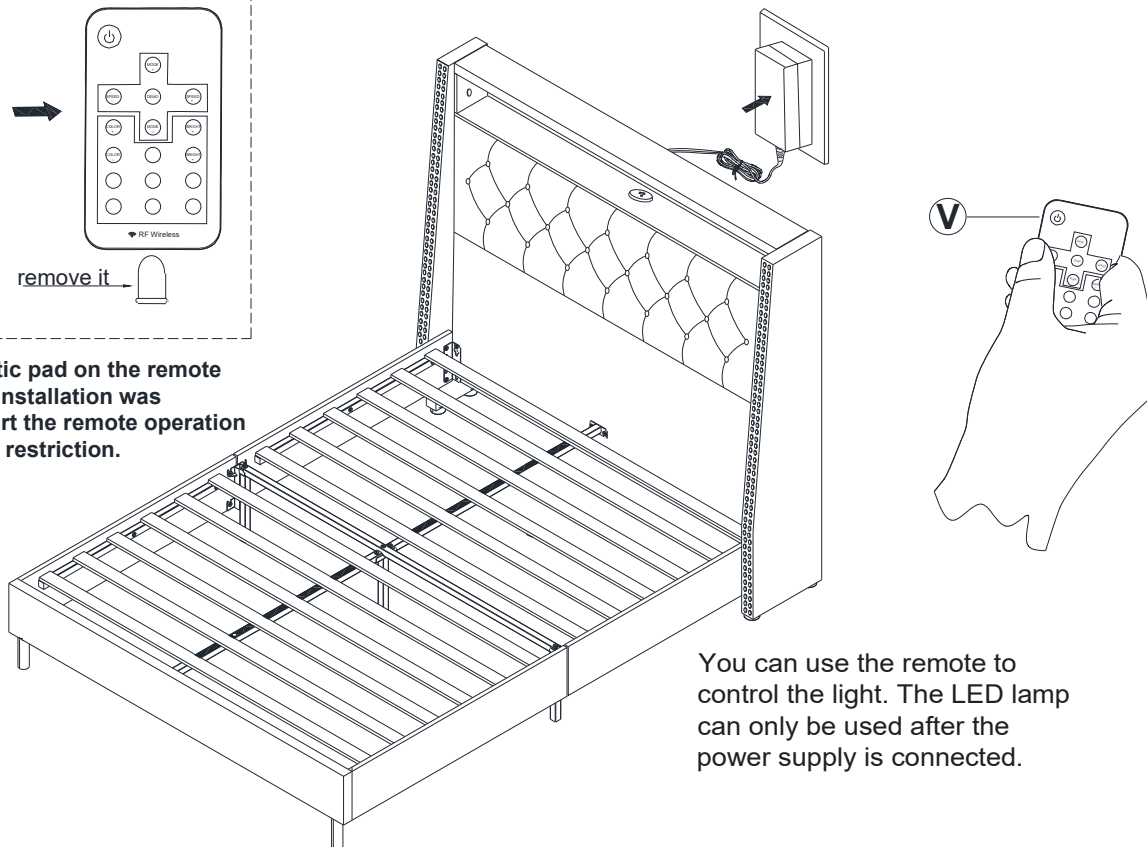
STEP 21



STEP 22



Remove the plastic pad on the remote control after the installation was complete and start the remote operation without direction restriction.



You can use the remote to control the light. The LED lamp can only be used after the power supply is connected.

MAINTENANCE AND WARNING

- Keep furniture away from heat.
- Do not clean furniture with harsh cleansers or polish. Do not use detergents, Solvents, abrasives, spray packs or leather cleaner. Use non-color mild soap with warm water clean spills(Mix 1:10 soap to water)
- Do not place furniture under direct sunlight, material will possibly fade over time.
- Do not use on site dry Cleaning machine.
- Children should not climb or jump on the furniture.
- Do not write on furniture without a padded barrier to protect the surface.
- Not for commercial use, For residential use only.
- The maximum load is 900 LBS.

WARRANTY

We strive to offer high-quality products, and we also try our best to satisfy each and every customer that orders from us with product or service as needed. We provide 30 days warranty starting from the time you receive the item. Each customer must provide a record of their order such as the order number, or item receipt for any items that are out of the warranty period you may also still receive replacement parts by purchasing them with our company if they are available.

Are you having difficulty with assembly? Missing parts? Please send email with your order No to customerservice@hulalahome.com

For return, please check the return policy with the retailer or market place you bought from. Appreciate your purchasing from us. Pop up your life by our furniture piece!