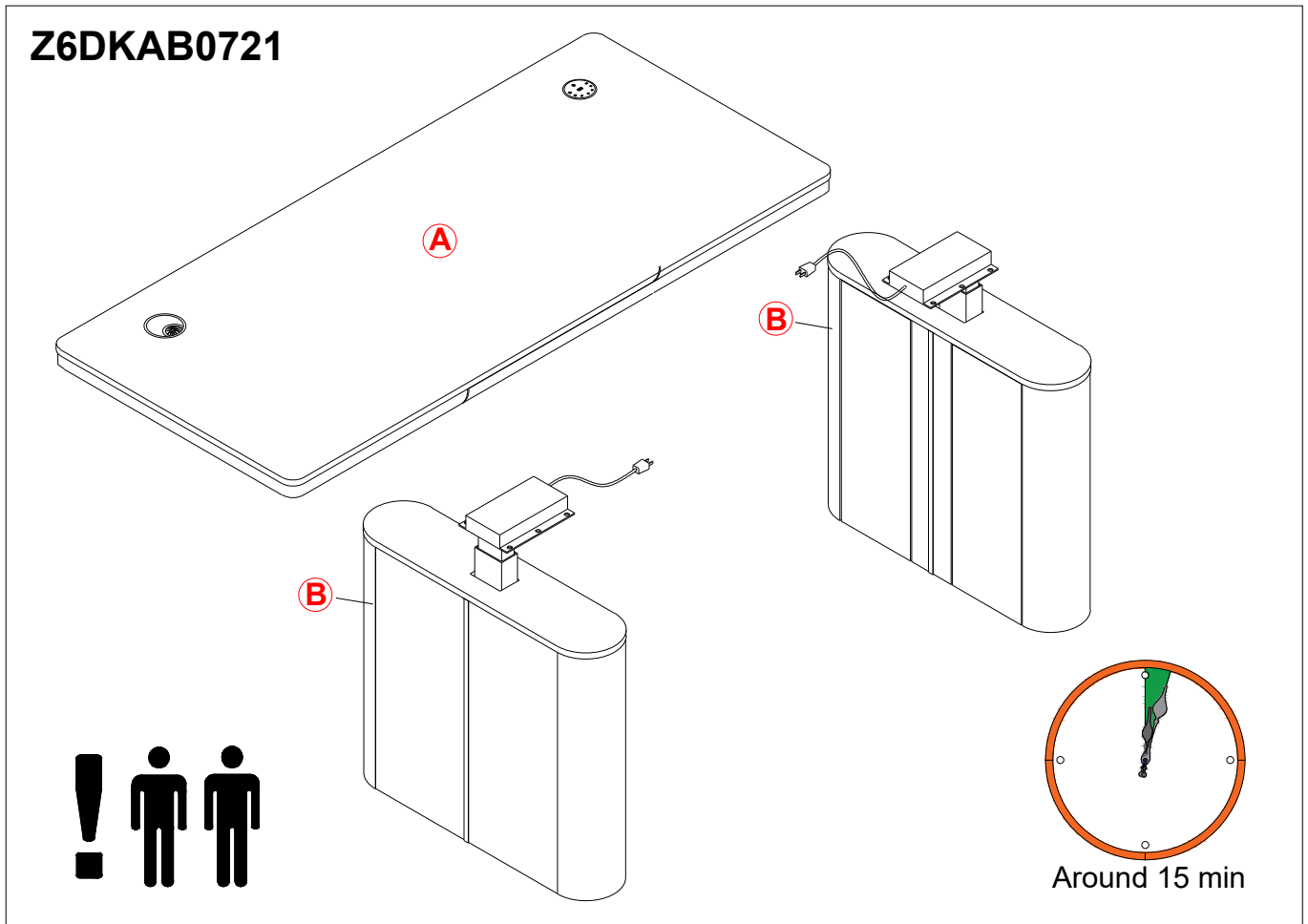


## **ITEM NO. Z6DKAB0721**

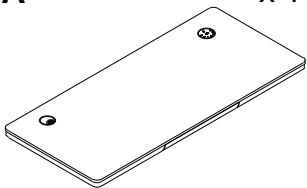
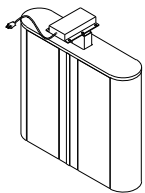
Thank you for purchasing this Standing desk.

Please read the instructions and warnings carefully before use, to ensure safe and satisfactory operation of this product. At HULALA home we are committed to making great products possible. From our in-house Design Team, to our Buyers, we work together to bring great designs to life. Our expert Product Technologists work collaboratively with our buyers and suppliers to assure the legality, safety and quality of the product we sell. We are all committed to designing and developing products to the highest industry standards. We hope you are happy with your product and welcome any feedback or comments you may have.


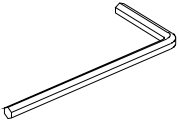
# Exploded Diagram



## PARTS LIST

( In CARTON A )	( In CARTON B )
<b>A</b> x 1  Top Panel	<b>B</b> x 2  Leg

## SPARE LIST ( in CARTON A )

<b>1</b> x 12 +1  Bolt M6*12mm	<b>2</b> x 1  Allen Key 4mm
---	--

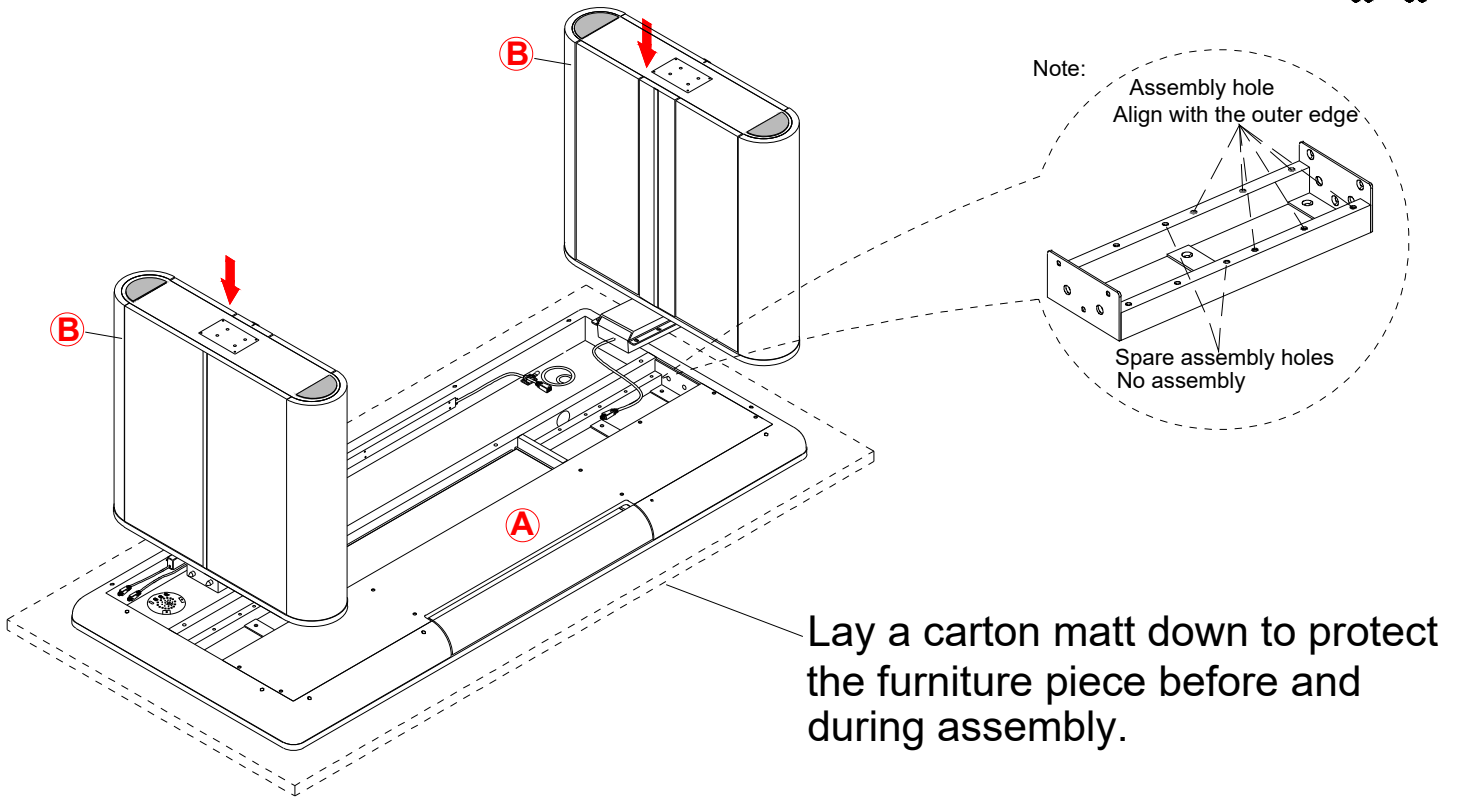
Before your installation, please make sure that you have all the parts listed on the manual. If you find something missing, stop installing and contact your supplier immediately.

# ASSEMBLY INSTRUCTION

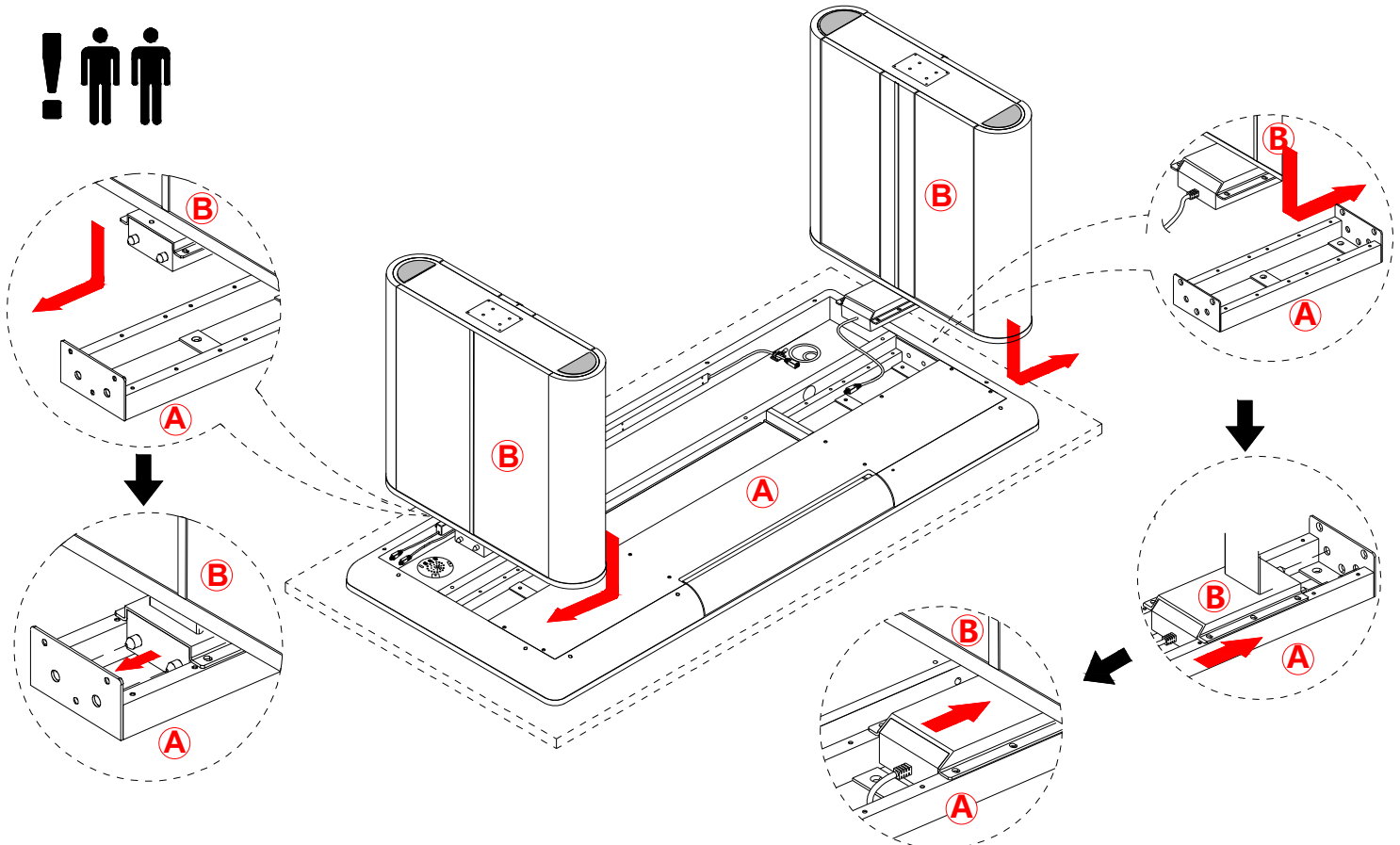
## STEP 1





Note: The operation takes two adults to complete.

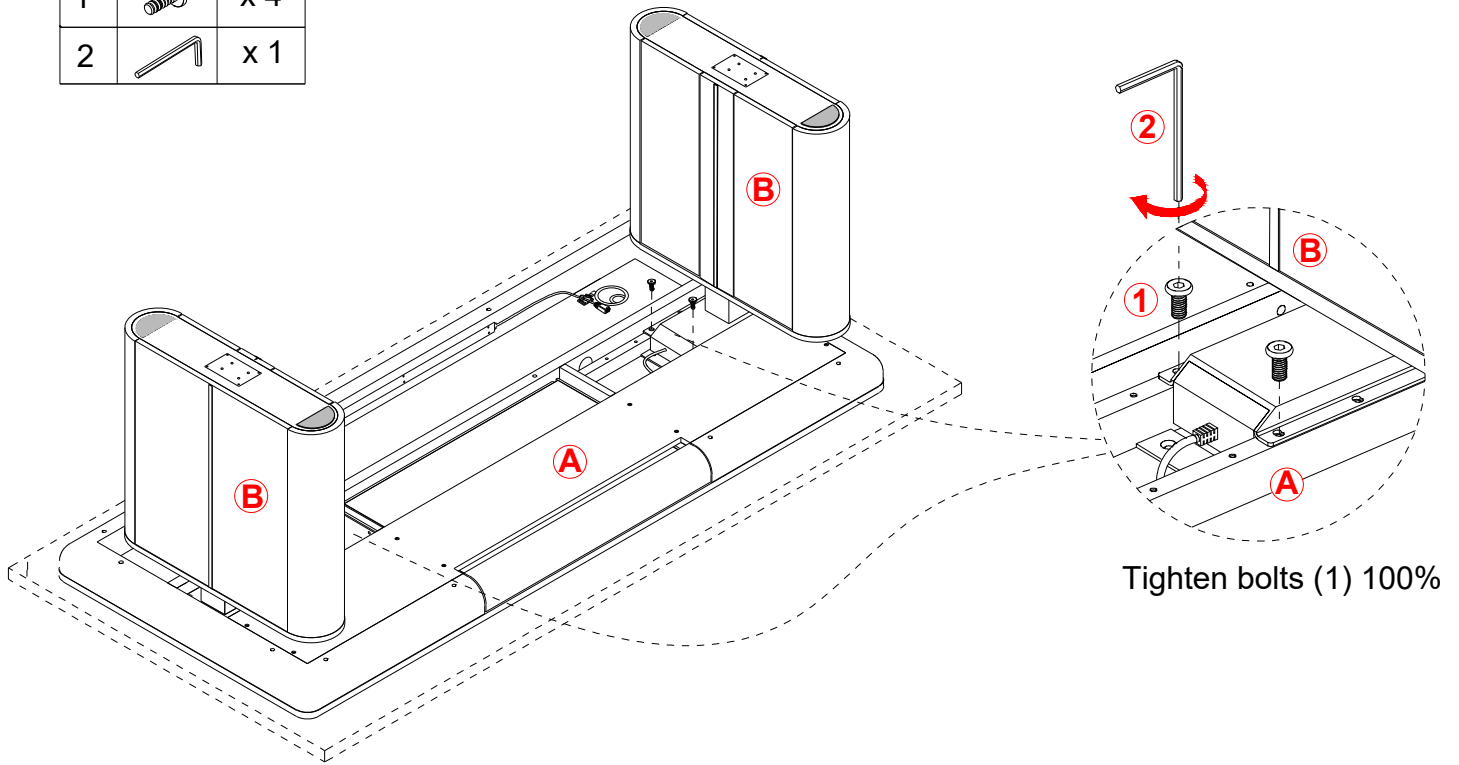


## STEP 2



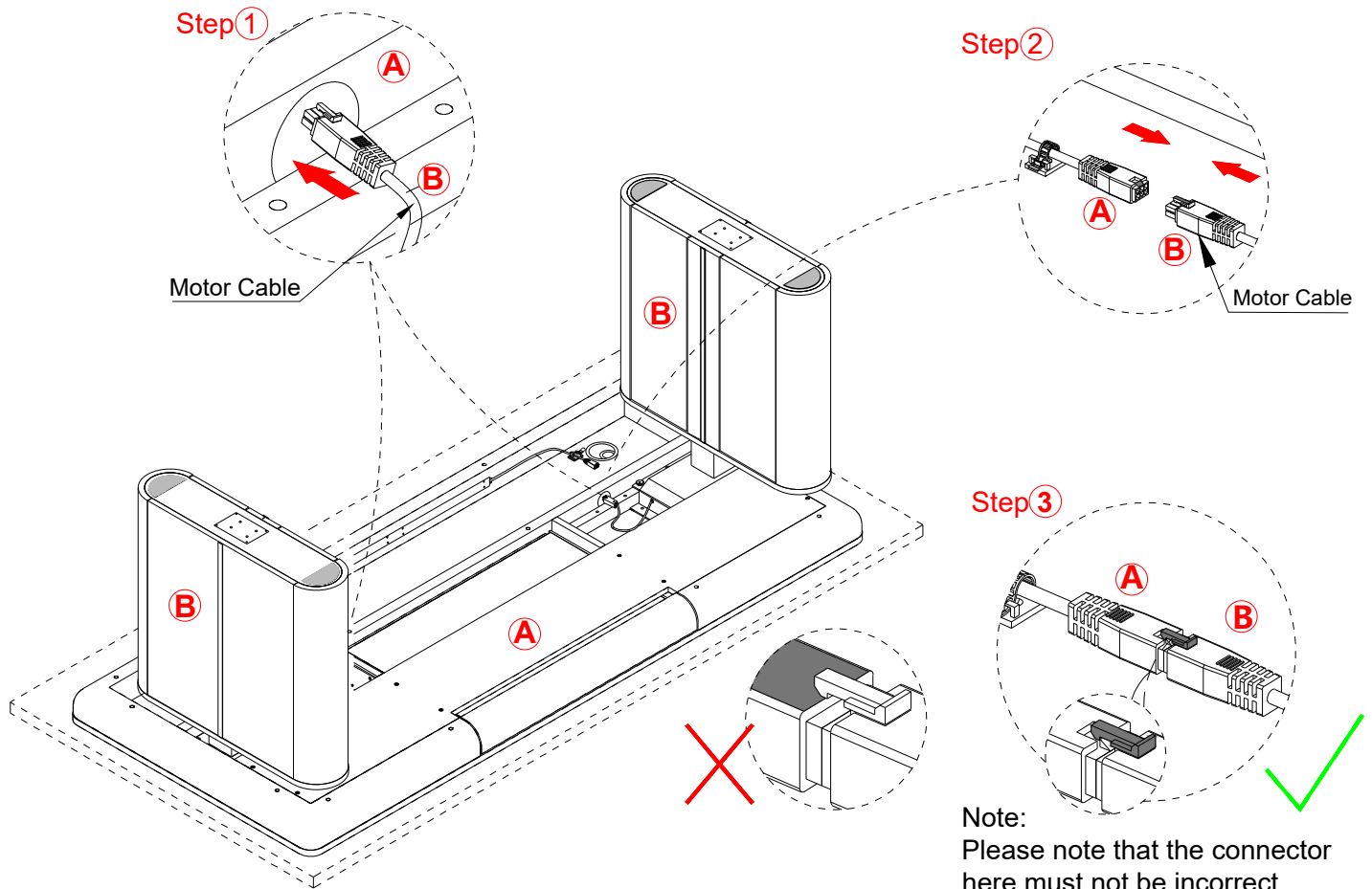
### STEP 3

1		x 4
2		x 1



Use the Allen Key (2) to tighten bolts (1) to approximately 100%.

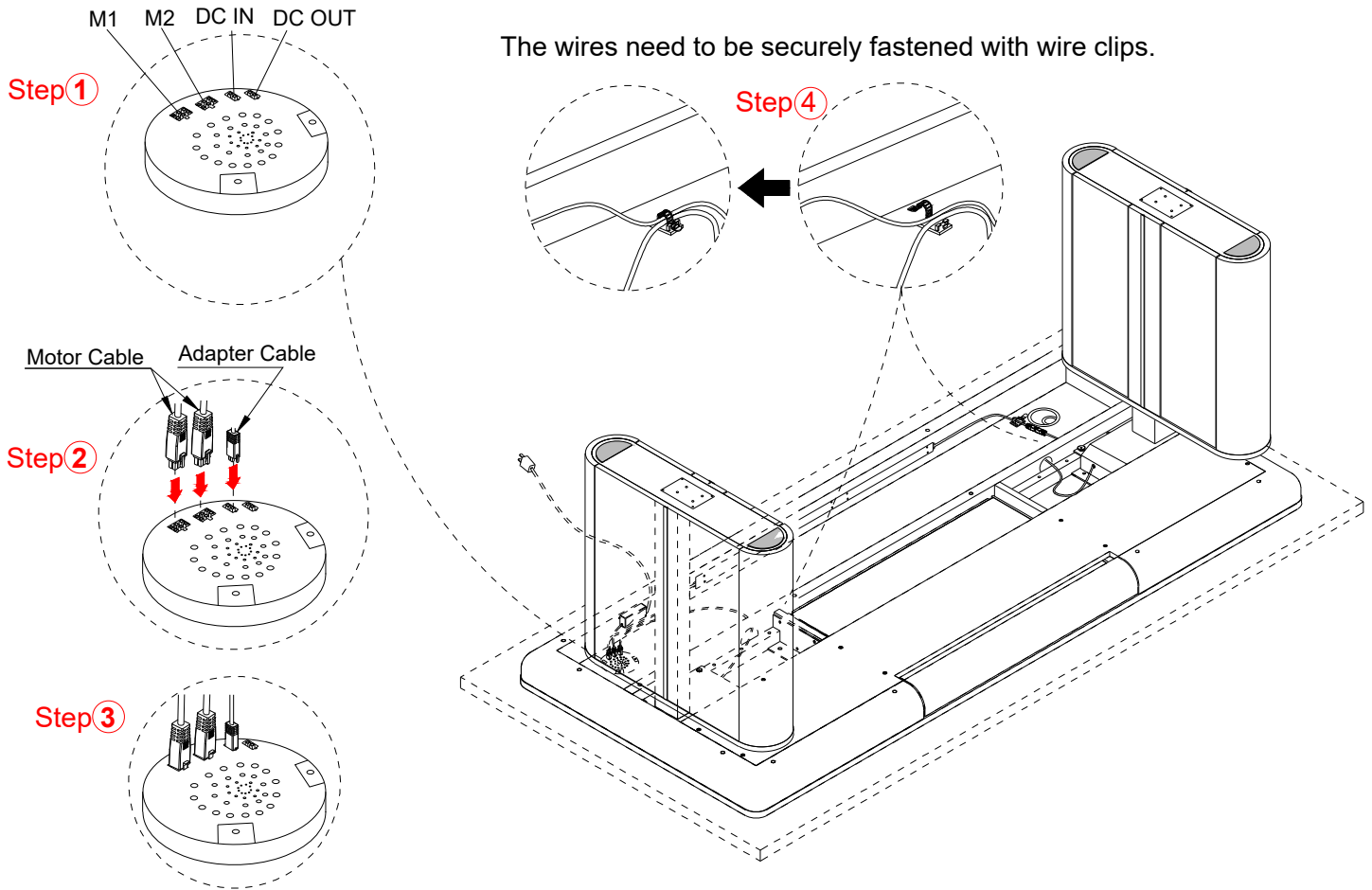
### STEP 4



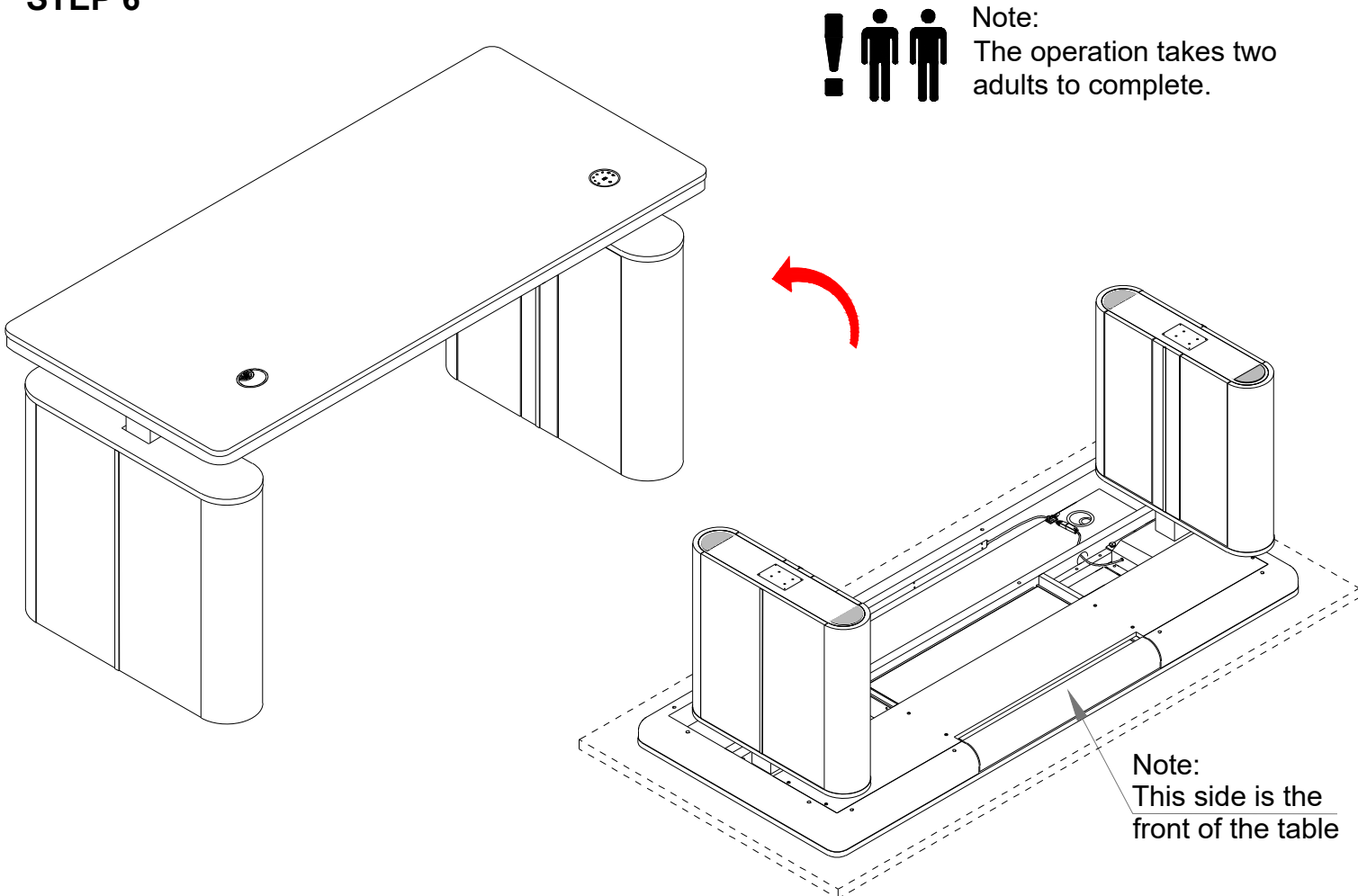
1. Pull the motor cable out through the holes of top panel (A).
2. Connect the power cord as shown in the diagram

Note:  
Please note that the connector here must not be incorrect.


## STEP 5

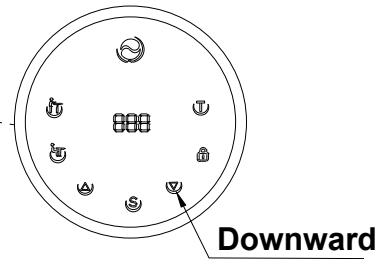
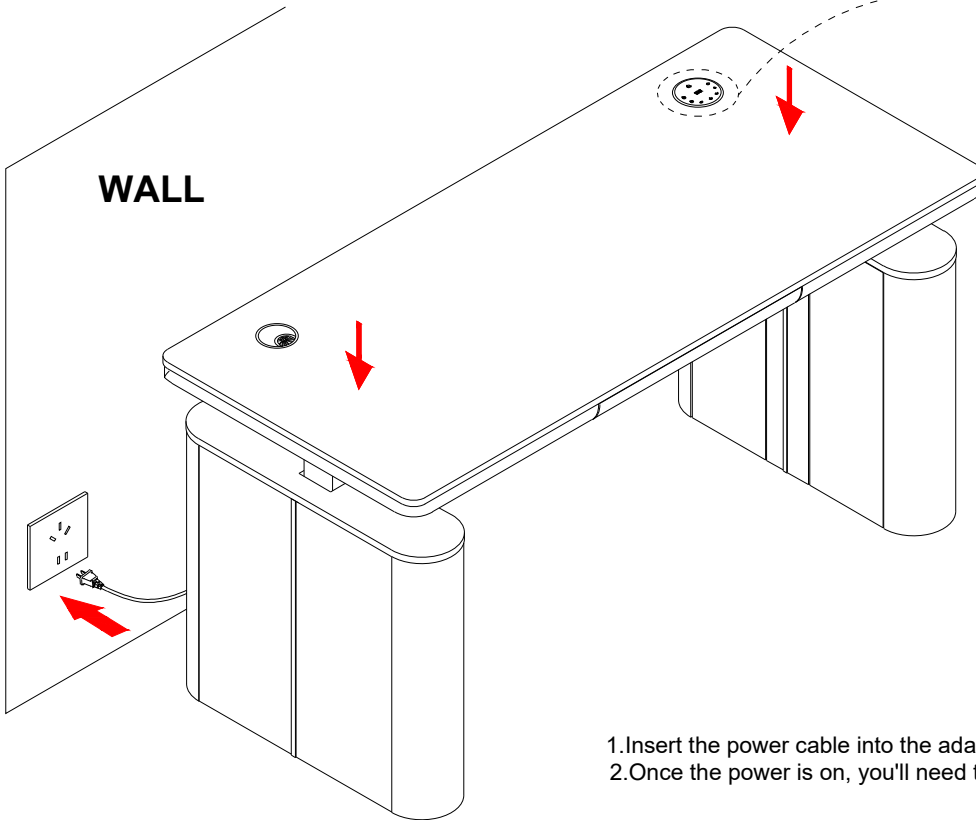


## STEP 6



## STEP 7

 controller needs to be reset!




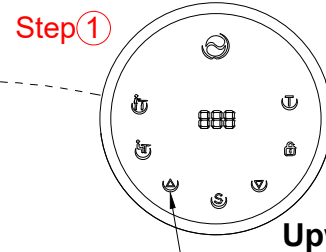
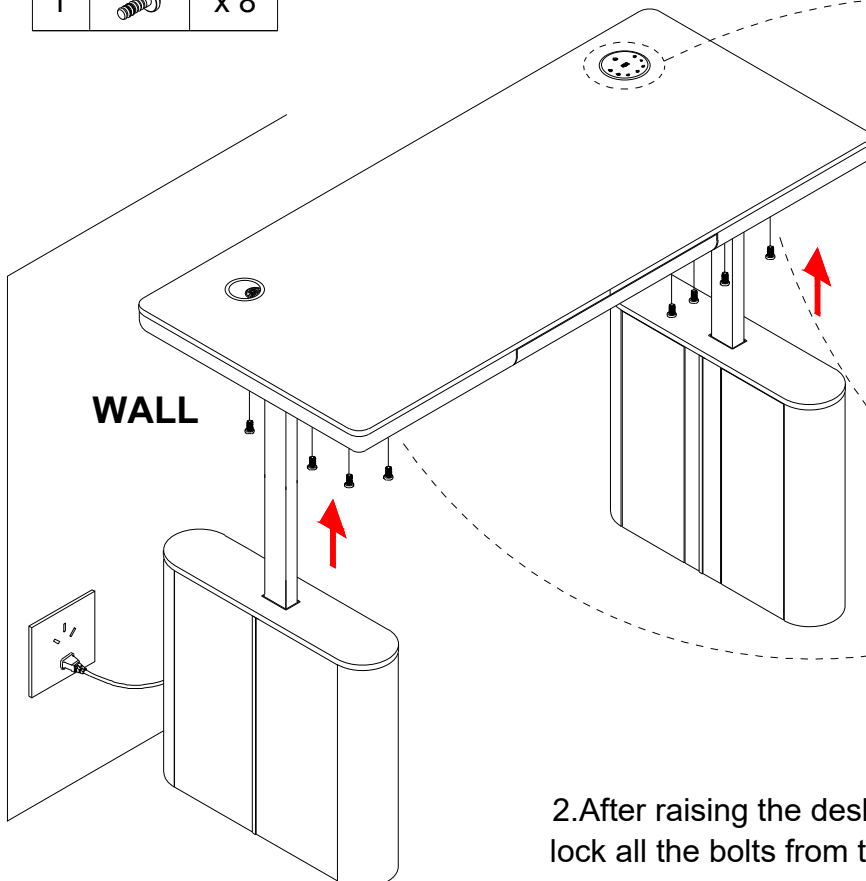
### Reset Operation:

1. Press and hold the "▼" button for 5 seconds until "RST" appears on the display.
2. Press and hold the down "▼" button until you hear a "di" and the display shows the lowest height. During this process, the desk will rebound by about 10 mm. The controller will only function normally after the reset is complete.

1. Insert the power cable into the adapter and turn on the power supply.
2. Once the power is on, you'll need to restore the settings.

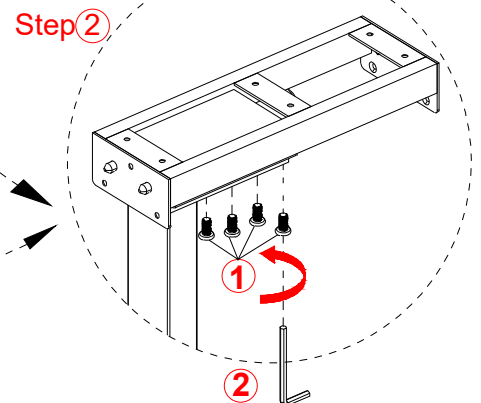
## STEP 8

1  x 8



1. Press the rise button to raise the tabletop.

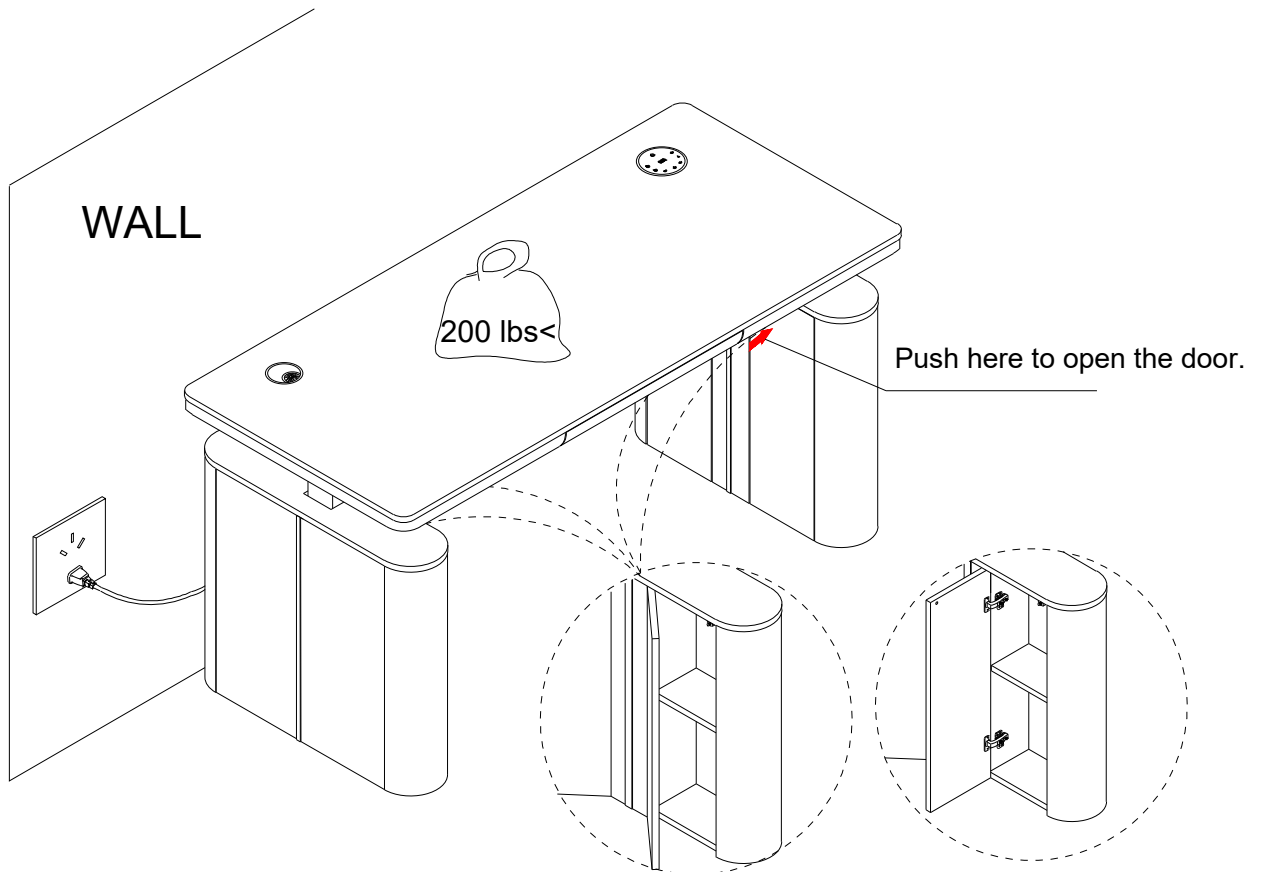
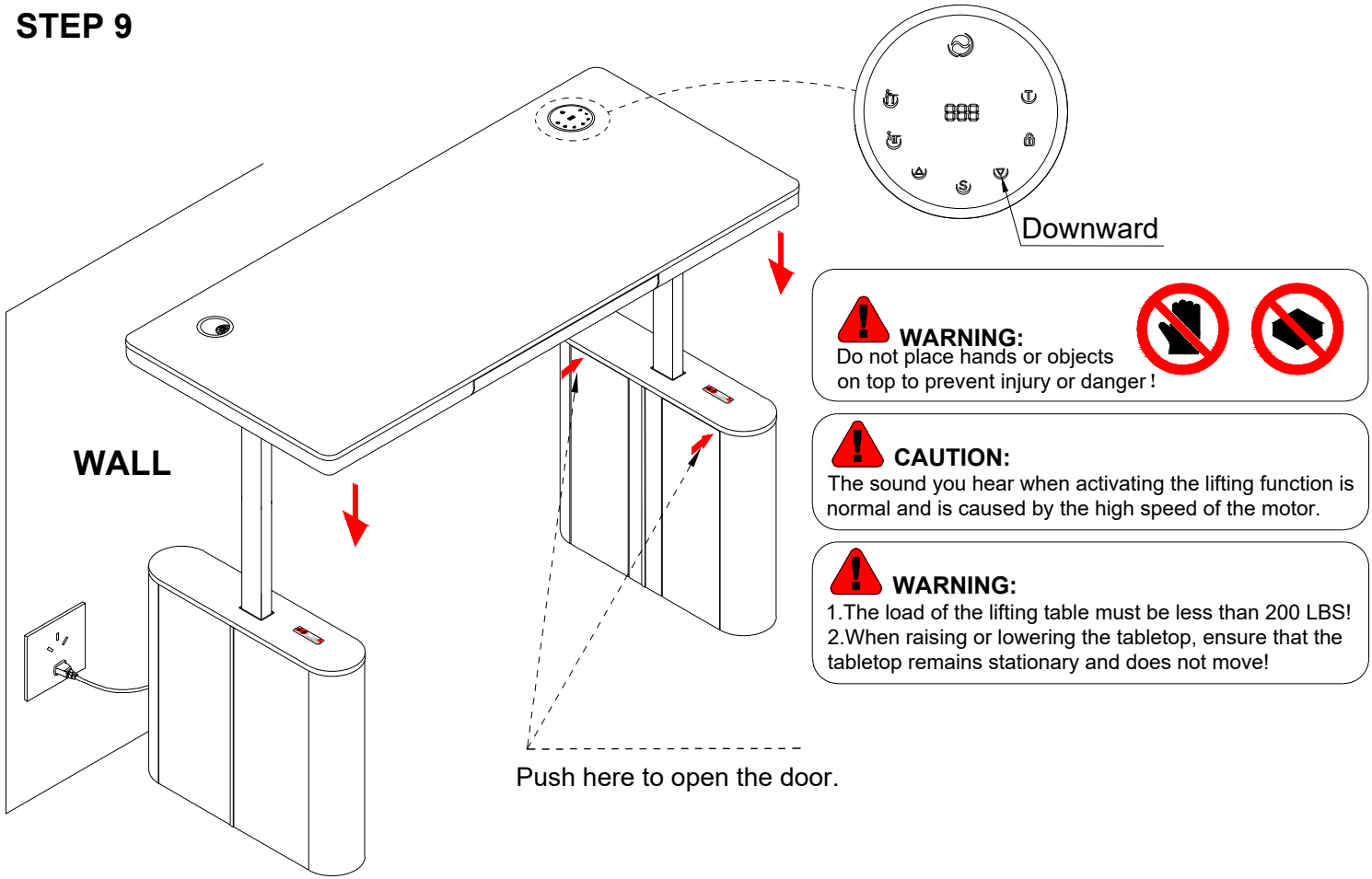
For details, refer to the page 8.








2. After raising the desktop, lock all the bolts from the bottom.

Tighten bolts (1) 100%

# STEP 9



# Instructions for using the hand controller

07.2				S			T
Digital display screen	memory button	memory button	Up key	menu key	Drop the key	child lock	Sedentary reminder

## \* Up and down key operation

Press the hand controller "▲" key, lift the table up, Release the button to stop;

Press the hand controller "▼" key, The lifting table descends, Release the button to stop.

## \* Location storage and memory runs

The hand controller can store two memory points, and it is repeatable, and can be saved after power failure. The storage method is provided as follows: When running to the appropriate height, short press "S" key, the digital display screen flashes, press any key in "i"、"ii", then the height position of the lifting table is saved to the corresponding key (if there is no key pressed within 6s, exit the memory mode).

After saving, directly press any of the keys in "i"、"ii" directly, and the lifting table automatically goes to the memory position of the corresponding keys. In the process of operation, press any key to stop the operation.

## \* Lock and unlock

Lock: hold " " key for 5 seconds, when the display screen shows "LOC", indicating that the system is locked and can not lift the system;

Unlock: hold "🔓" key for 5 seconds, when the display screen shows the normal number from "LOC", indicating that the system has been unlocked.

## \* Sedentary reminder

Press the "T" key, and the digital display will show "0.5H". Each press of the "▲" and "▼" keys adjusts the time setting 0.5H (0.5H = 30 minutes, up to a maximum of 3 hours). After adjusting to the desired duration, press the "S" key to activate the sedentary reminder. When the digital display turns off, a small dot will light up in the lower right corner of the screen. Upon reaching the set time, the hand controller will emit 5 beeps as a reminder, while also displaying the height data. If set to 0.0H, it will be in the off state.

## \* reset operation

When the system is changed to a new table leg, or the hand controller is abnormal (display **Exx**), long press the "▼" key for 5 seconds without release, the system enters the reset mode, and the display screen displays **rES**;

If the "▼" key is released during reset, the lifting table uses the reset mode. Long and press the "▼" key again to continue to reset;

After the reset operation, the hand controller makes a "beep" sound, and then displays the lowest height of the table.

## \* parameter setting

In no running state, the hand controller presses the "S" key, display "S--" and blink, and press "S" again to enter the menu page.

Under the menu page, press "▲" and "▼" to switch options; then press "S" to enter the setting page, press "▲" and "▼" to modify the parameters under the corresponding menu, and then press "S" to confirm the setting and save the modified parameters. (Exit the parameter menu in 20 second and set and save the modified parameters)

menu	Display unit	High and low limit	Resistance sensitivity	Gyro sensitivity
page	UN	SH	CF	SLP
description	S1: Metric system(cm); 1n: British system(inch)	OFF: starting height; L: the minimum limit height; H: the maximum limit height;	OFF: close; L: light; n: centre; H: repeat;	OFF: close; L: light; n: centre; H: repeat;

## \* Code processing

Show code	E02	E10	E20	E31	E32	rES	hot
resolution	1. In case is obstacles, check if there are obstacles; 2. such as with a gyroscope, need to be fixed gyroscope, otherwise it is easy to misjudgment encounter resistance; 3. If the sensitivity is not appropriate, please refer to the menu to adjust the resistance sensitivity.	Check whether the power supply is correct. After no problem, long press the drop key 5S to reset or power off to restart.	If this alarm occurs when running upward, part of the heavy objects on the table should be removed before running; If this alarm occurs when running down, power off, remove some weight on the table, and then power on again.	Check whether the power supply is correct. After no problem, long press the drop key 5S to reset or power off to restart.	Check whether the power supply is correct. After no problem, long press the drop key 5S to reset or power off to restart.	Long press the drop key to continue the reset	The system overheating automatically enters the protection state, and the alarm will recover after 18 minutes.

## MAINTENANCE AND WARNING

- Keep furniture away from heat.
- Do not clean furniture with harsh cleansers or polish. Do not use detergents, Solvents, abrasives, spray packs or leather cleaner. Use non-color mild soap with warm water clean spills(Mix 1:10 soap to water)
- Do not place furniture under direct sunlight, material will possibly fade over time.
- Do not use on site dry Cleaning machine.
- Children should not climb or jump on the furniture.
- Do not write on furniture without a padded barrier to protect the surface.
- Not for commercial use, For residential use only.
- The maximum load is 200 LBS.

## WARRANTY

We strive to offer high-quality products, and we also try our best to satisfy each and every customer that orders from us with product or service as needed. We provide 30 days warranty starting from the time you receive the item. Each customer must provide a record of their order such as the order number, or item receipt for any items that are out of the warranty period you may also still receive replacement parts by purchasing them with our company if they are available.

Are you having difficulty with assembly? Missing parts? Please send email with your order No to [customerservice@hulalahome.com](mailto:customerservice@hulalahome.com)

For return, please check the return policy with the retailer or market place you bought from. Appreciate your purchasing from us. Pop up your life by our furniture piece!