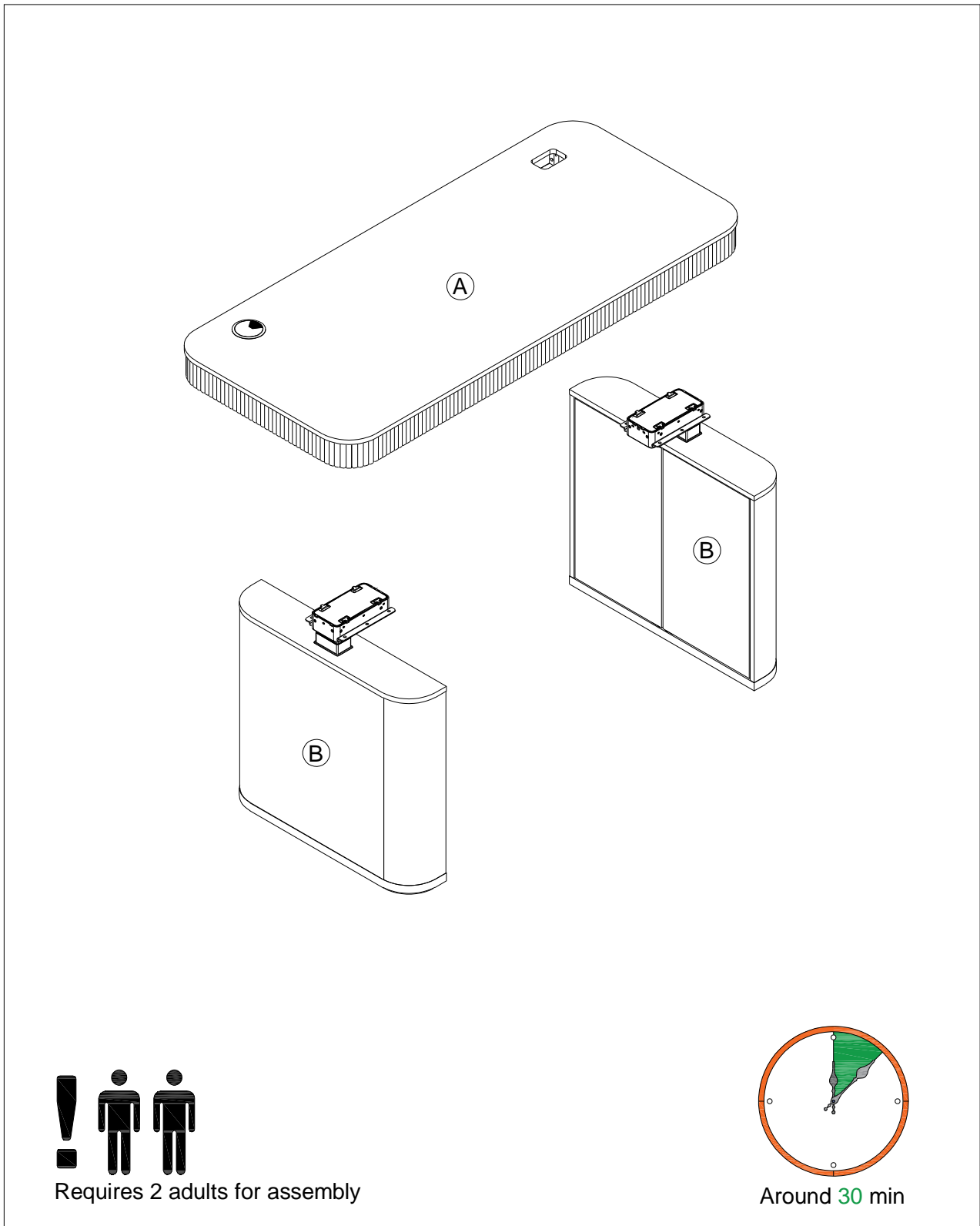


ITEM NO. Z6DKGR0516

Thank you for purchasing the Writing Desk.

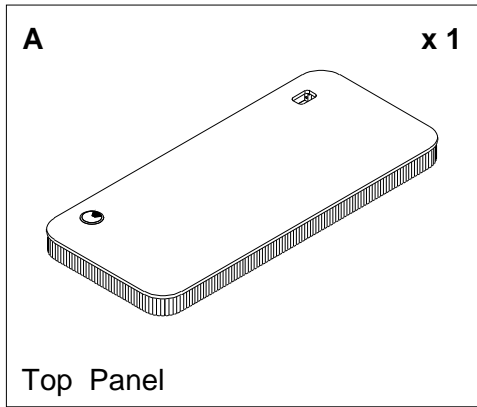
Please read the instructions and warnings carefully before use, to ensure safe and satisfactory operation of this product. At HULALA home we are committed to making great products possible. From our in-house Design Team, to our Buyers, we work together to bring great designs to life. Our expert Product Technologists work collaboratively with our buyers and suppliers to assure the legality, safety and quality of the product we sell. We are all committed to designing and developing products to the highest industry standards. We hope you are happy with your product and welcome any feedback or comments you may have.

Exploded Diagram

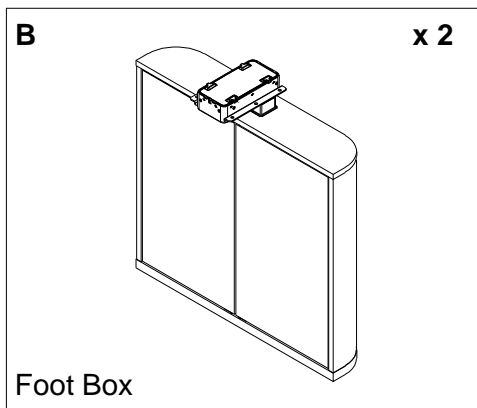


Be sure to check all packing material carefully for small parts, which may have come loose inside the carton during shipment.

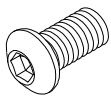
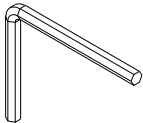
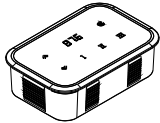
PARTS LIST (Carton A)



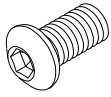
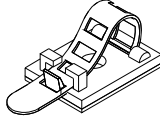
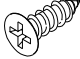
PARTS LIST (Carton B)



HARDWARE LIST (Carton A)

1	x 12	2	x 1	3	x 1
					
Bolt	1/4"x12mm	Wrench		Control	

SPARE LIST

1	x 1	x 2	x 2
			
Bolt	1/4"x12mm	Cable Clip	Flat Head Screw Ø3x12mm

Before your installation, please make sure that you have all the parts listed on the manual. If you find something missing, stop installing and contact your supplier immediately.

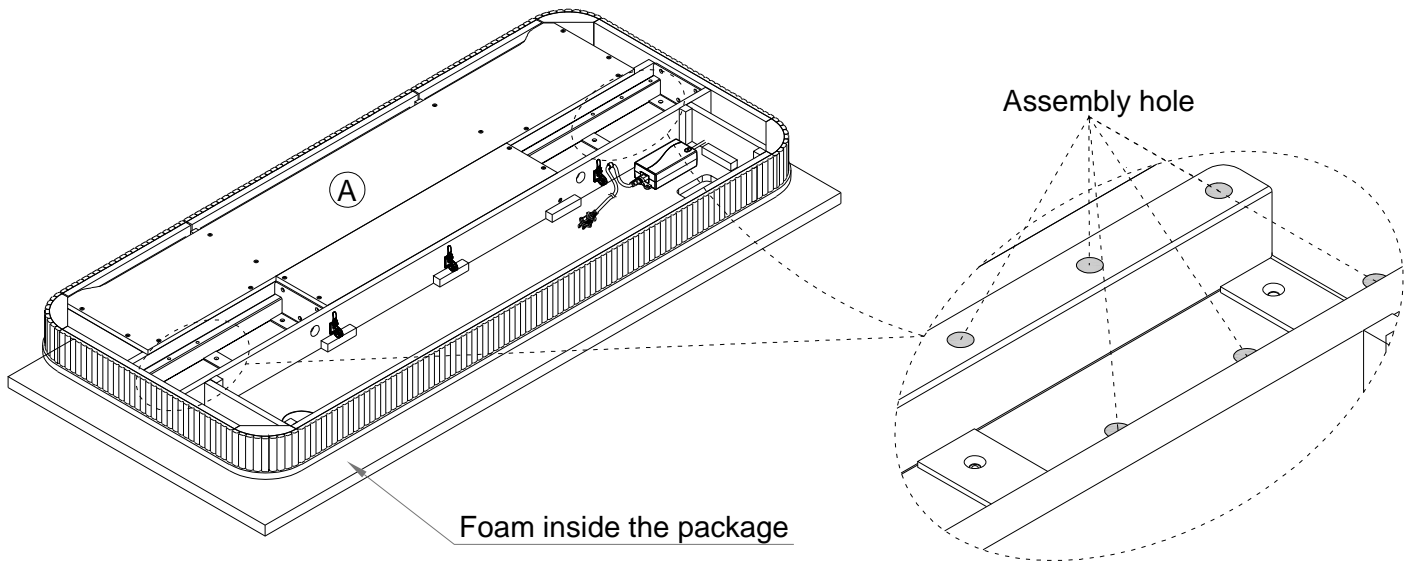
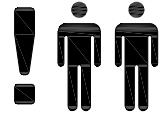
NOTE: Please do not completely tighten all the hardware until the entire assembly is completed! Be sure to tighten all the hardware once the assembly completed.

NOTE: Should be assembled on soft surface to keep balance.

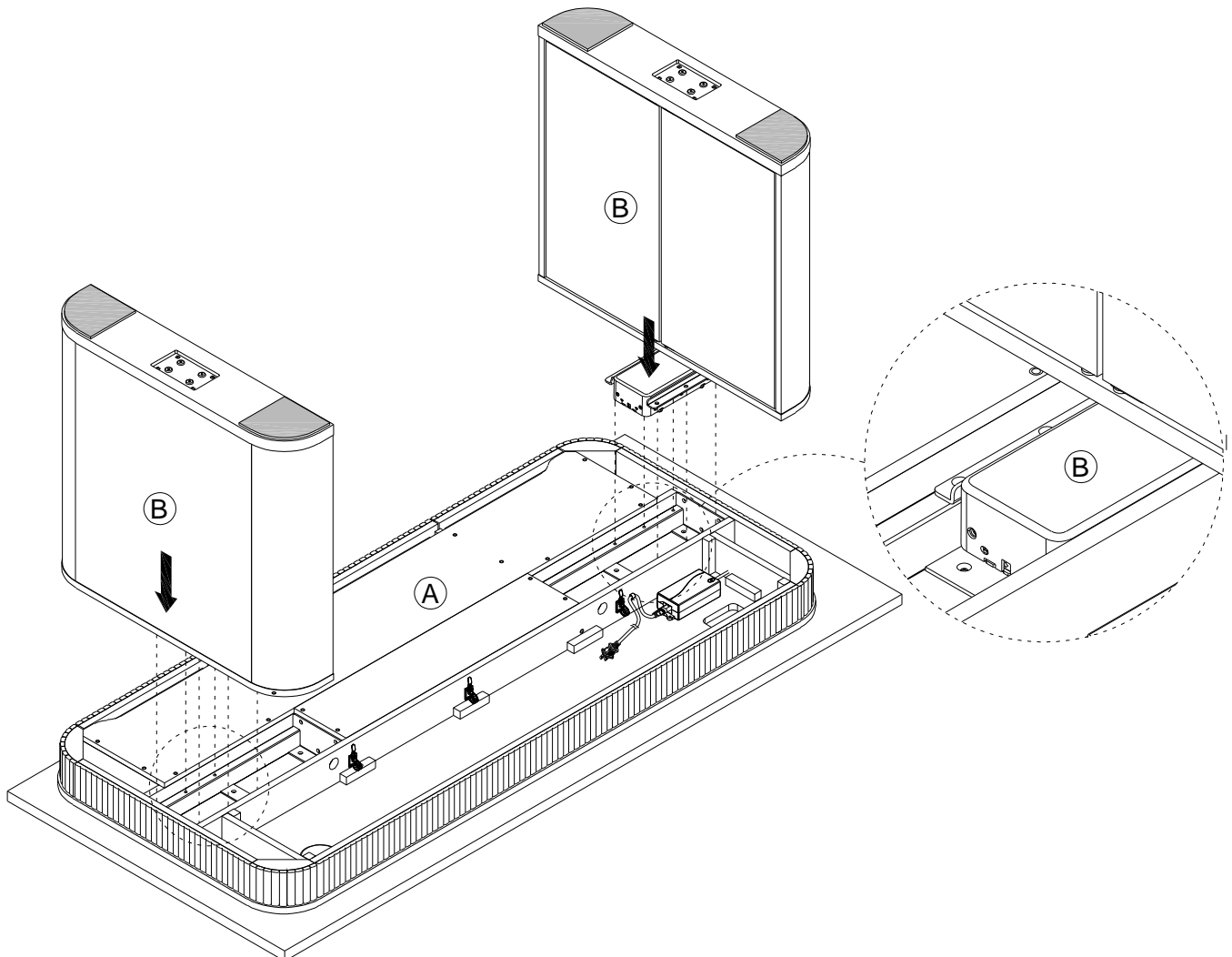
ASSEMBLY INSTRUCTION

STEP 1



Note:
The operation takes two
adults to complete.

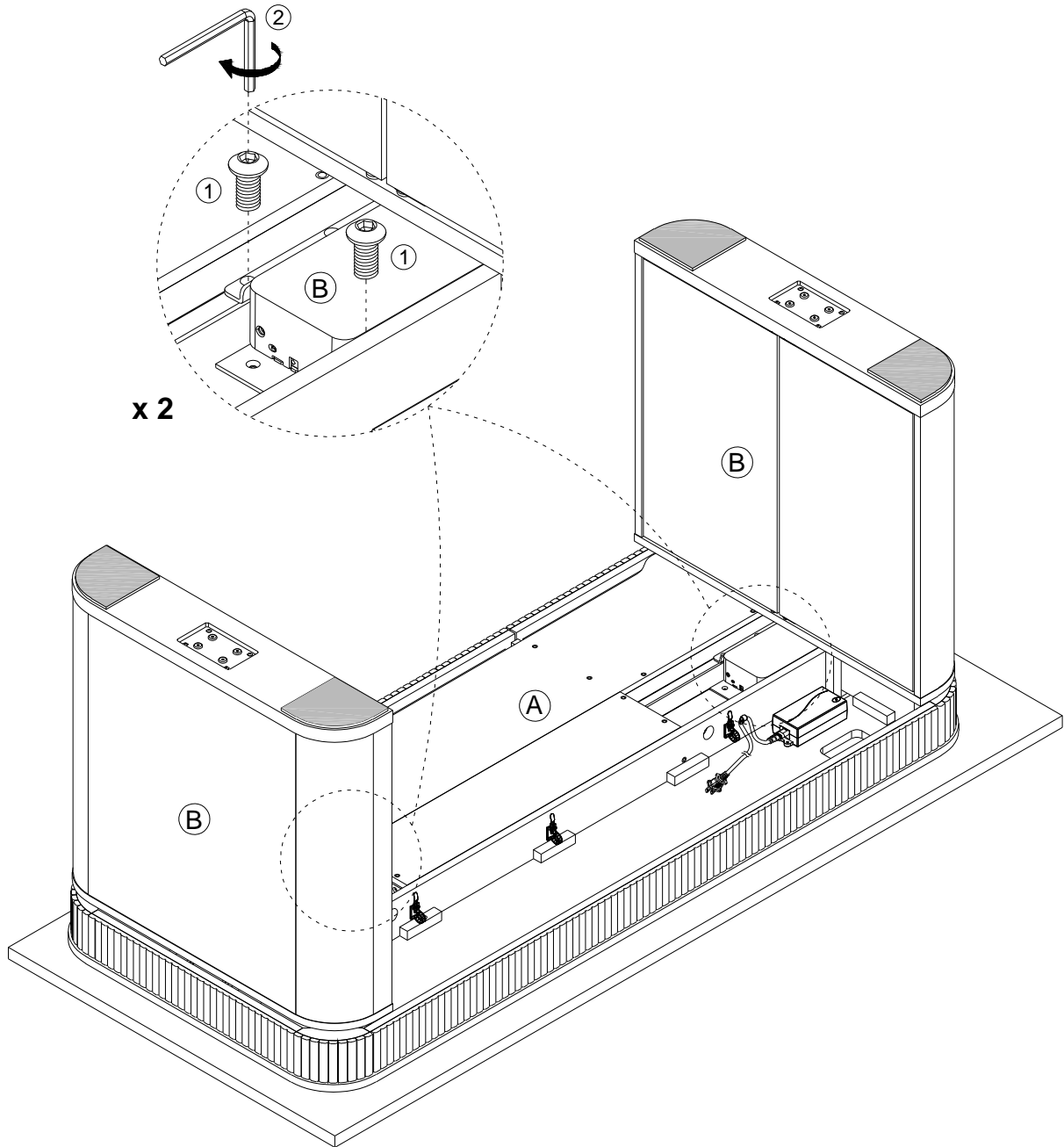


Place the foam pad from the packaging under the tabletop to protect it from damage during installation.



STEP 2

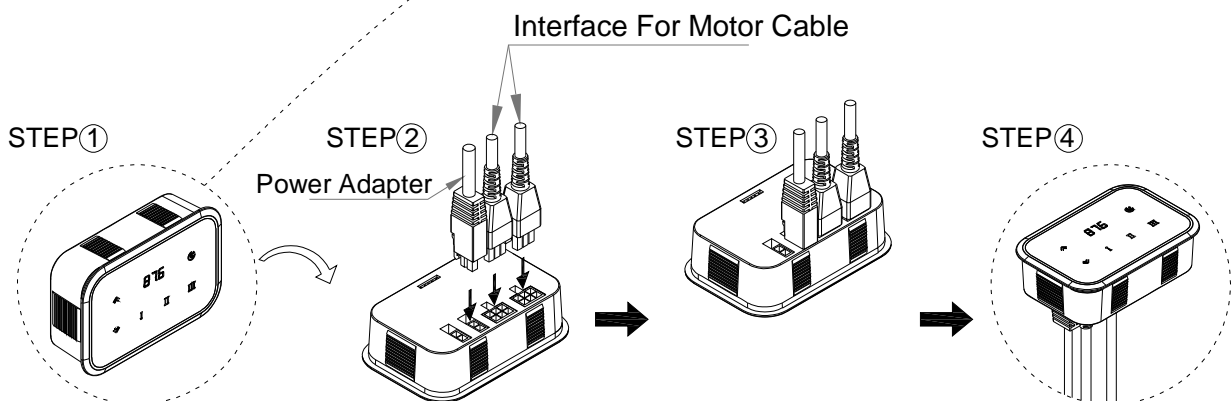
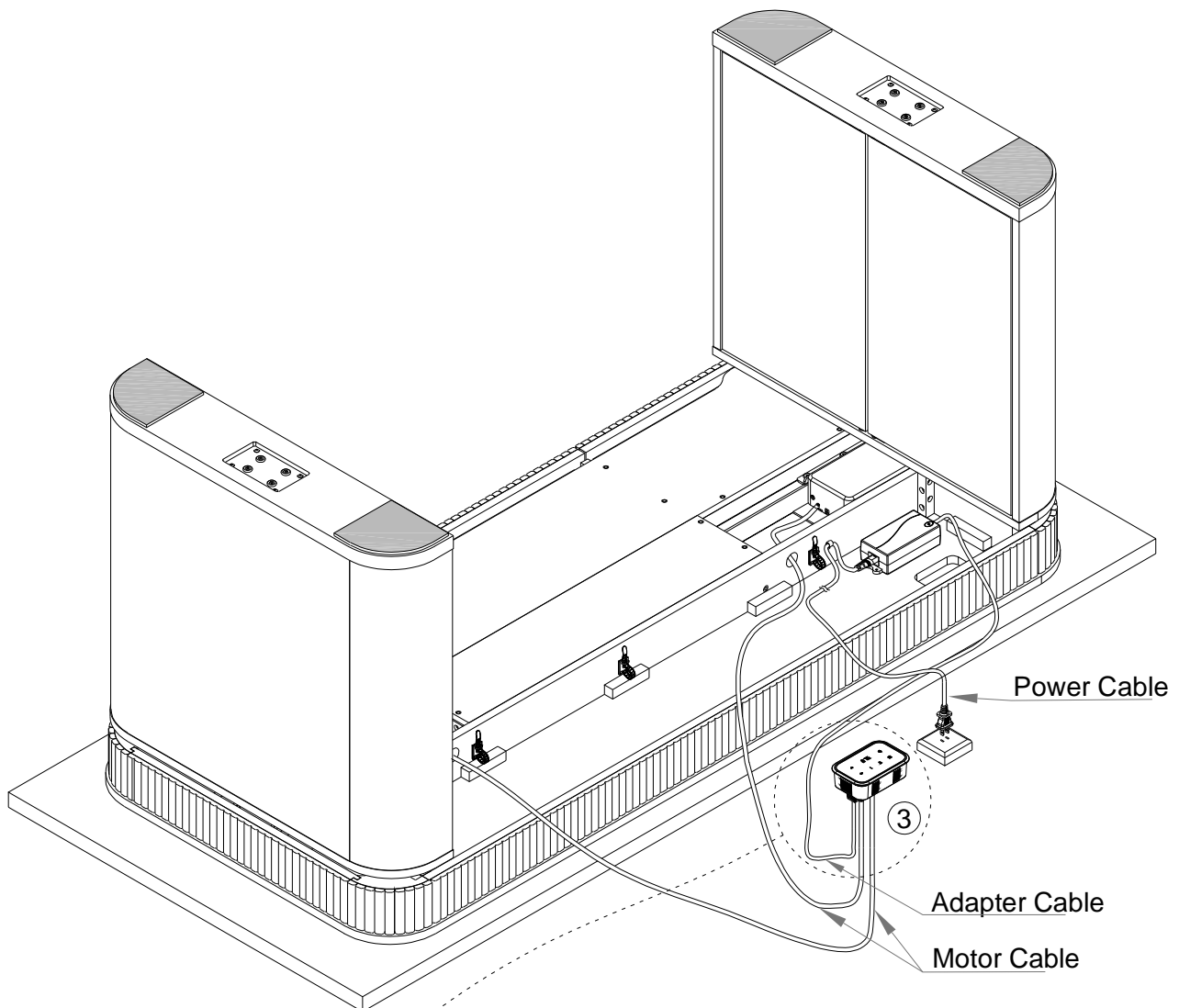
1		x 4
2		x 1



As shown, align the holes on foot box (B) with the holes on the top panel (A) iron frame, and use the wrench (2) to tighten bolt (1) to approximately 70%.


STEP 3

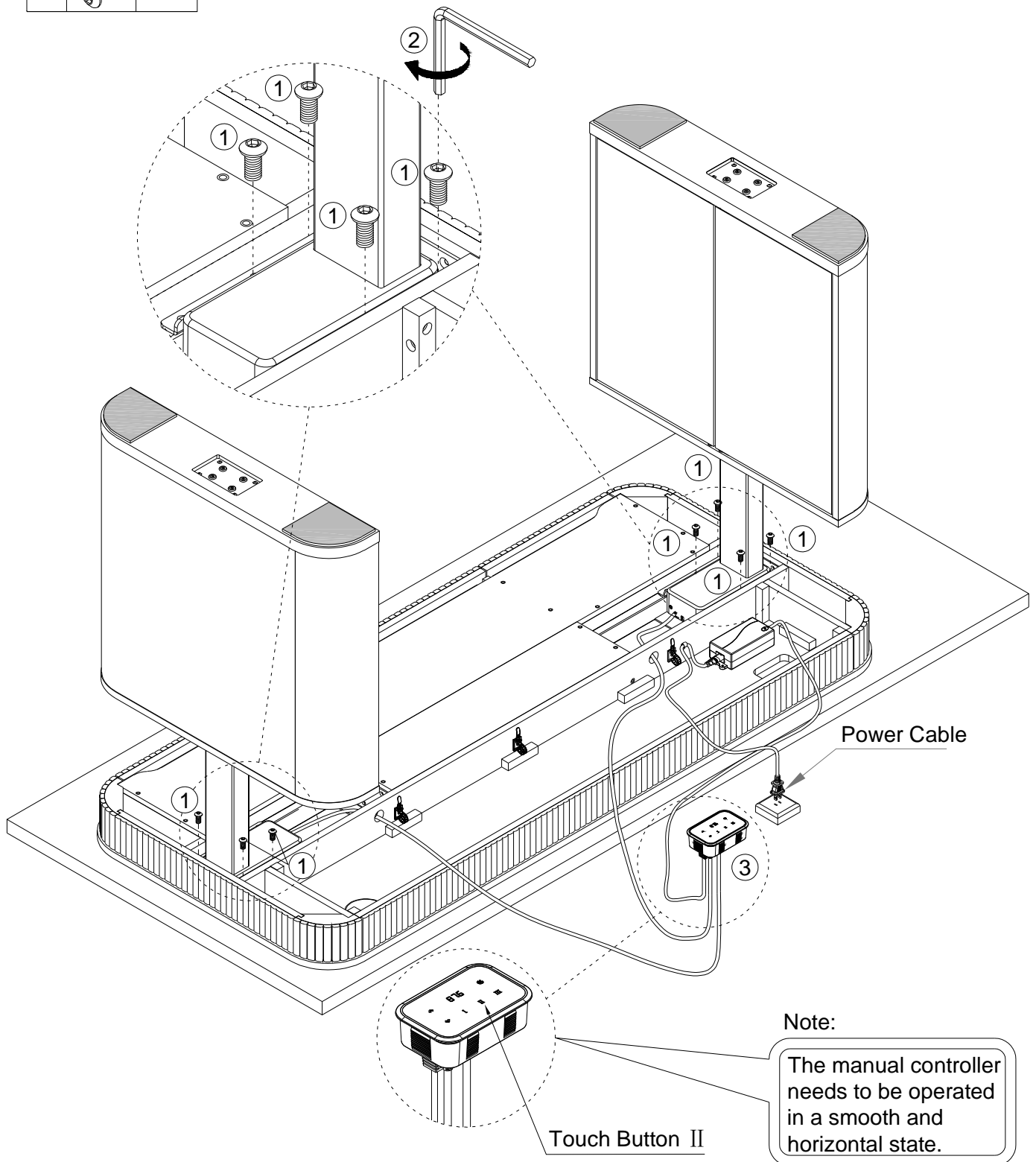
3  x 1



1. Connect the motor cable and adapter cable to the control as shown.
2. Plug the power adapter cord into the socket and switch on the power.
3. When powering on for the first time, you need to restore the factory settings. Please refer to the restoration steps in item 2 on page 16.

STEP 4

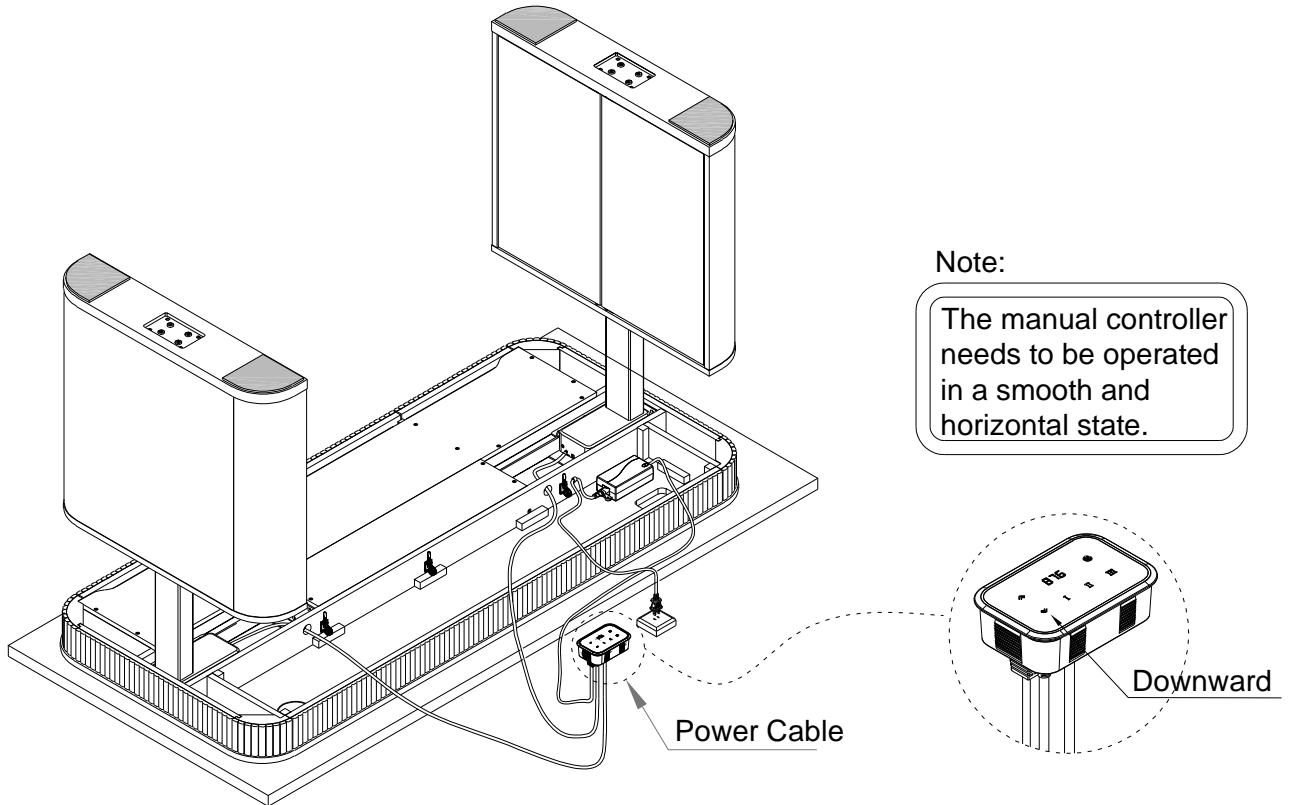
1  x 8



1. The manual controller needs to be operated in a smooth and horizontal state, and then touch button (II) to raise the desktop.

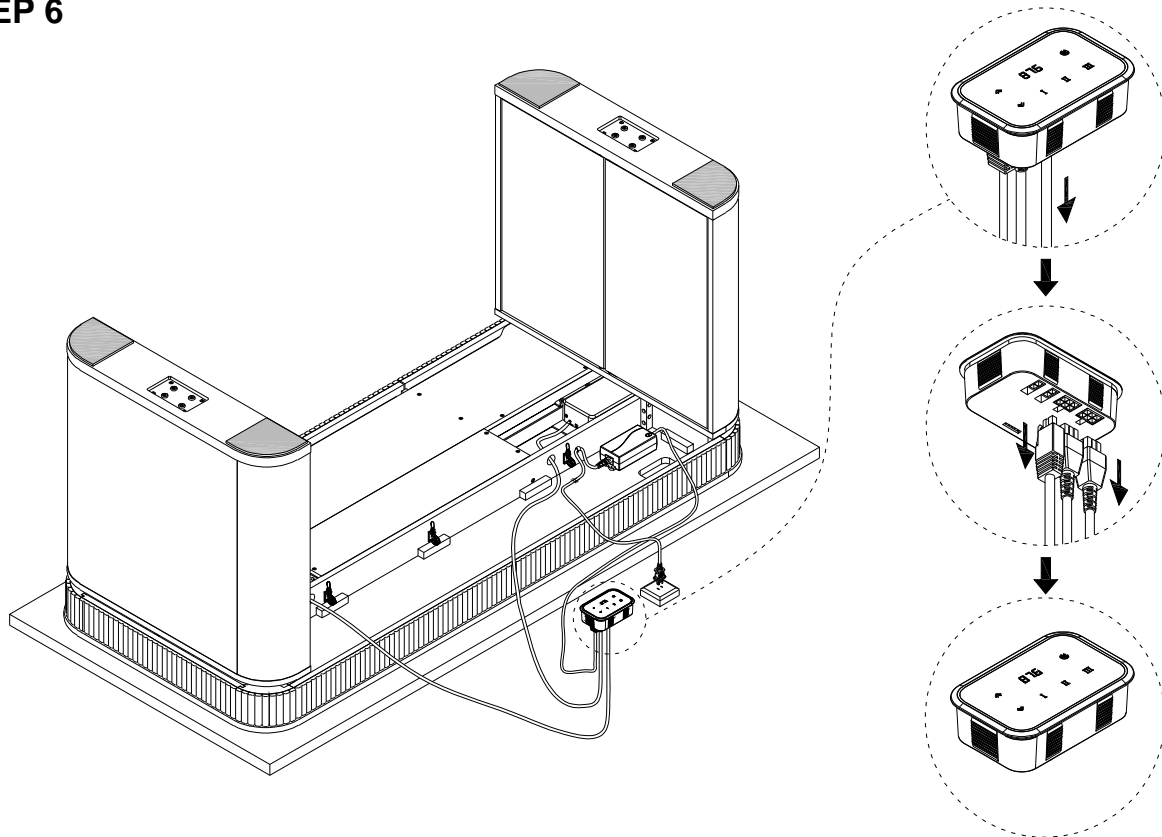
2. Align the hole of the desktop iron frame as shown in the figure, and use the wrench (2) to fully tighten the bolt (1) to 100%

STEP 5



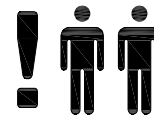
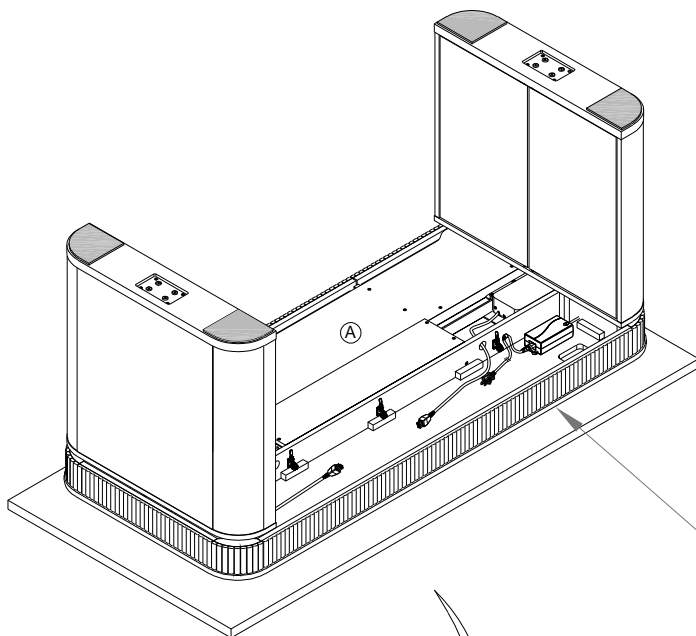
Press and hold the "Down" button to lower the desktop to its lowest position, as shown in the figure.

STEP 6



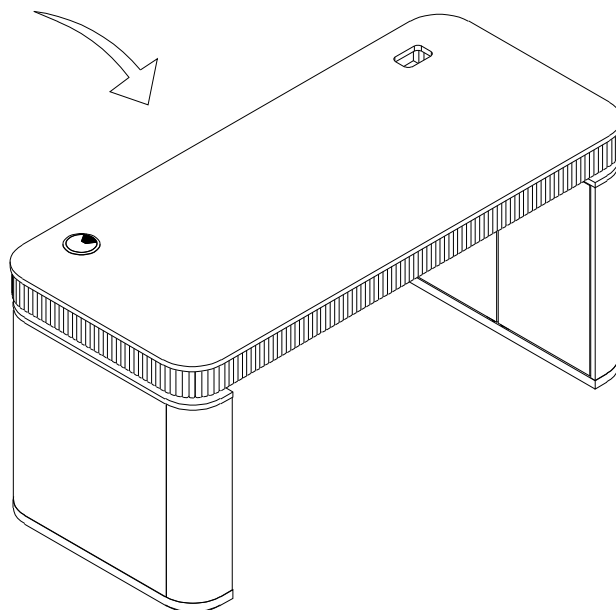
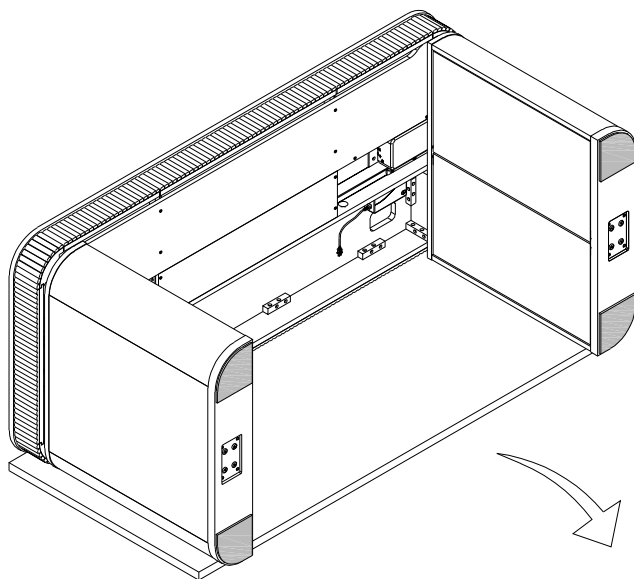
Remove the adapter power cord and motor cable as shown

STEP 7



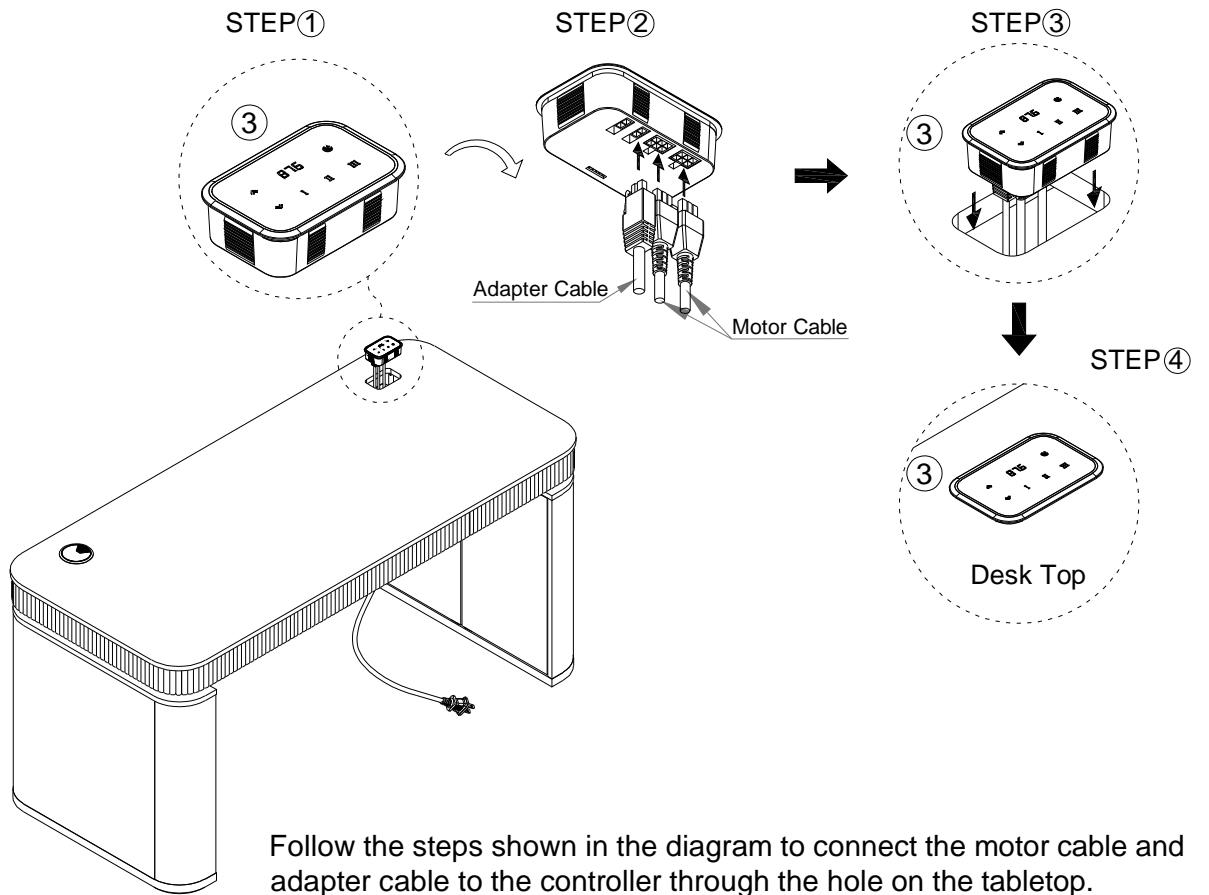
Note:
The operation takes two adults to complete.

Note:
This side is the back of the table

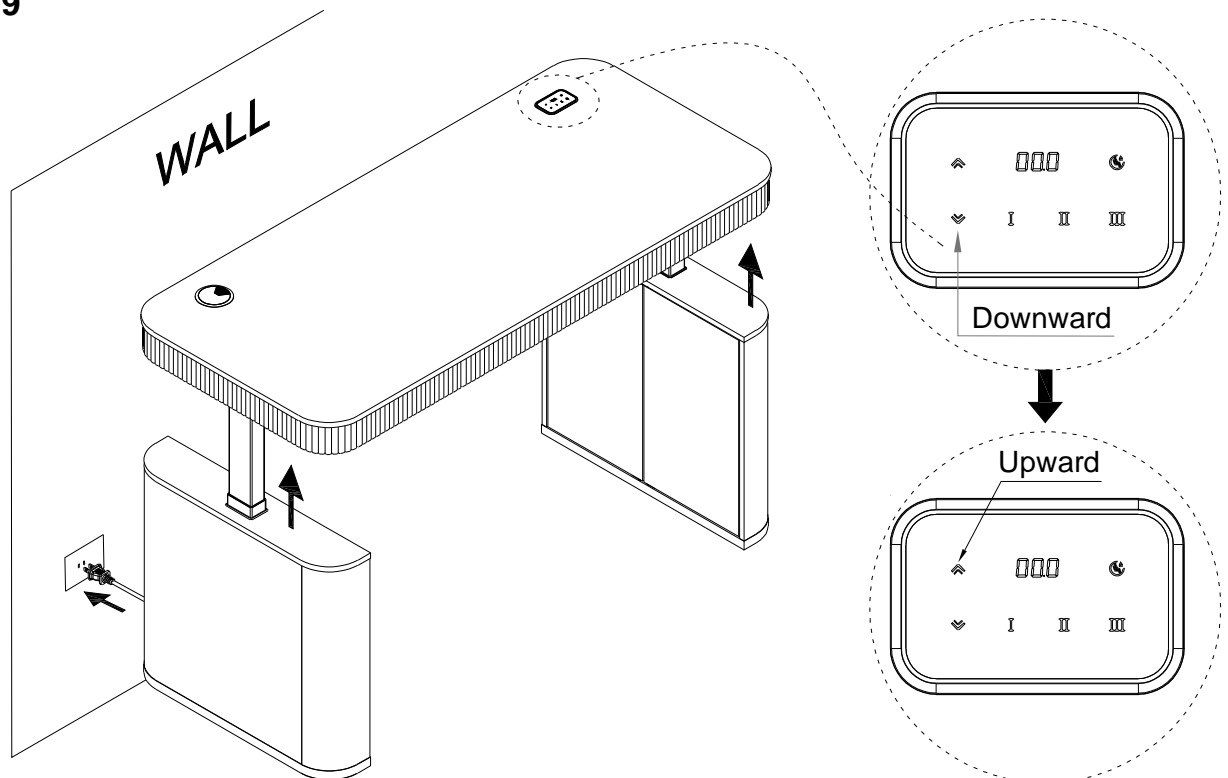


Flip the products forward in order, as shown.

STEP 8

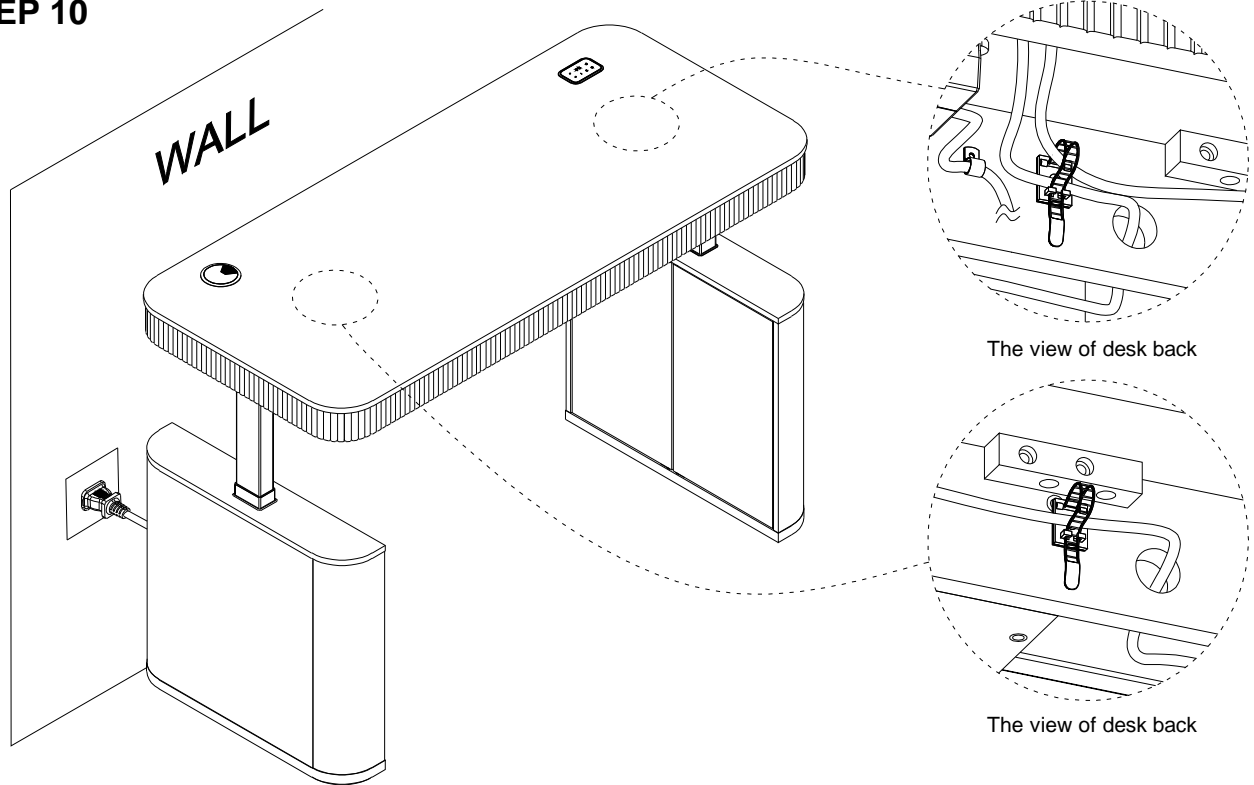


STEP 9



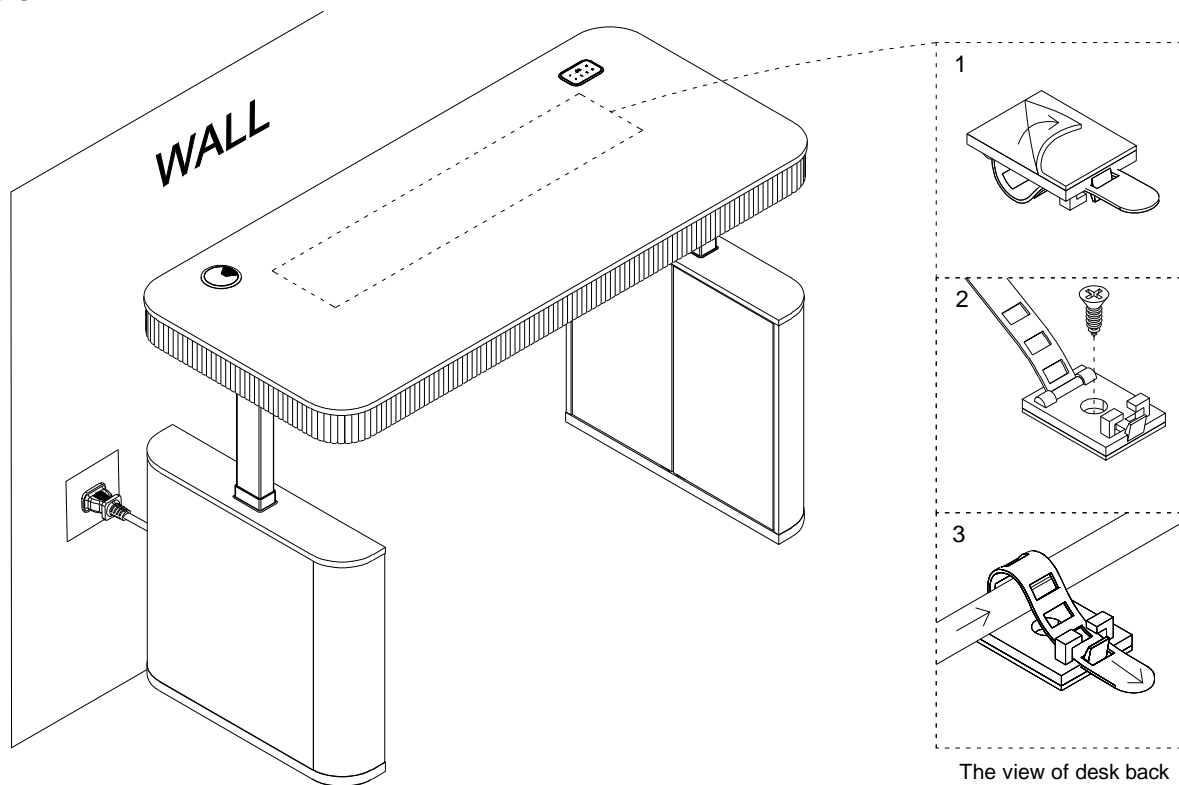
1. Insert the power cable into the adapter and turn on the power supply.
2. Once the power is on, you'll need to restore the settings. For details, refer to the manual on page 16.
3. Press the rise button to raise the tabletop.

STEP 10



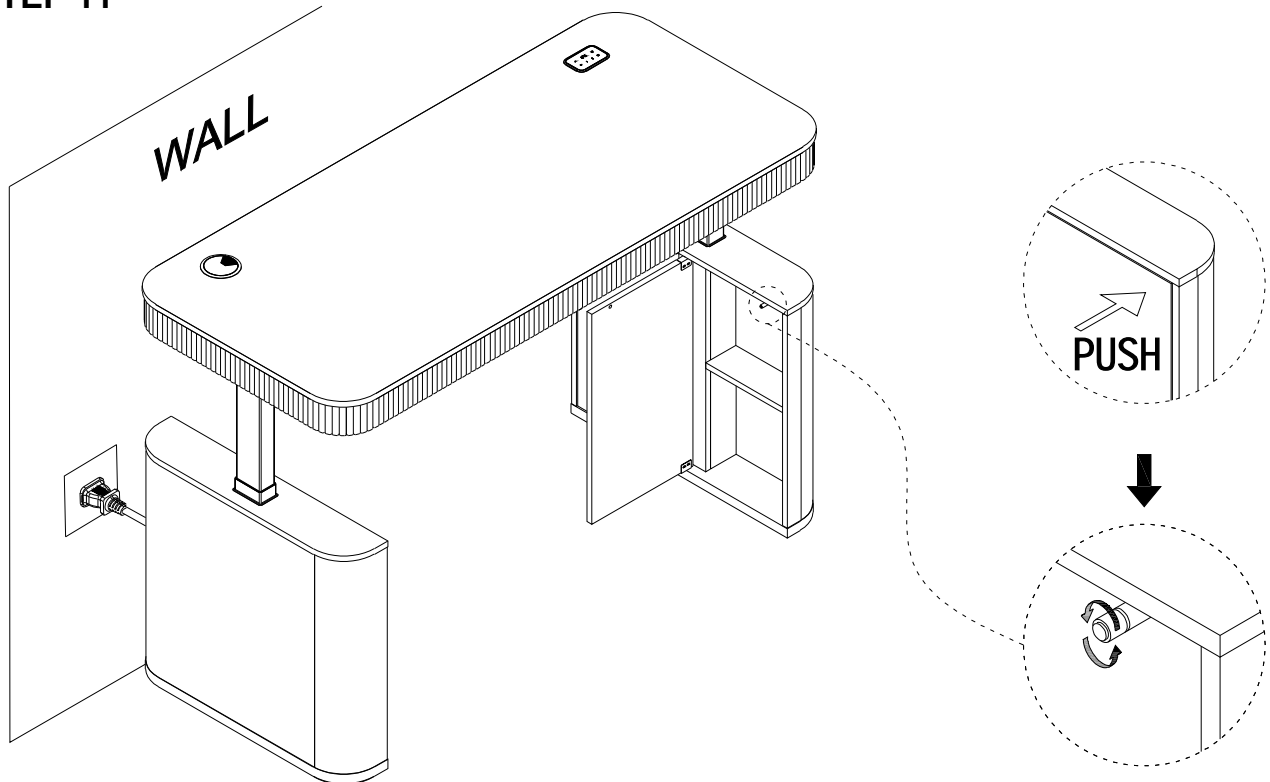
For example, in the right view, the cables are neatly stored and tied in the cable buckle.

Option



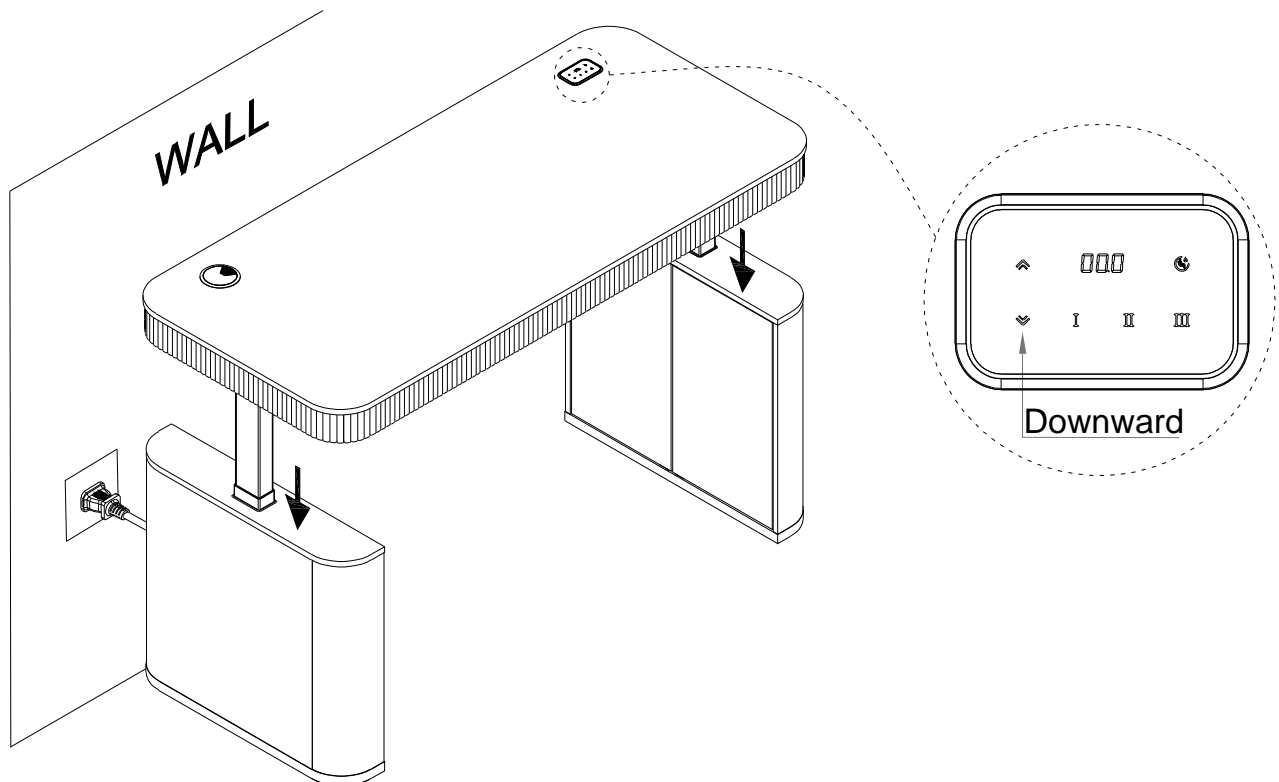
Option: You can choose to add installation accessory cable clips on the back of the table according to your preferences.

STEP 11



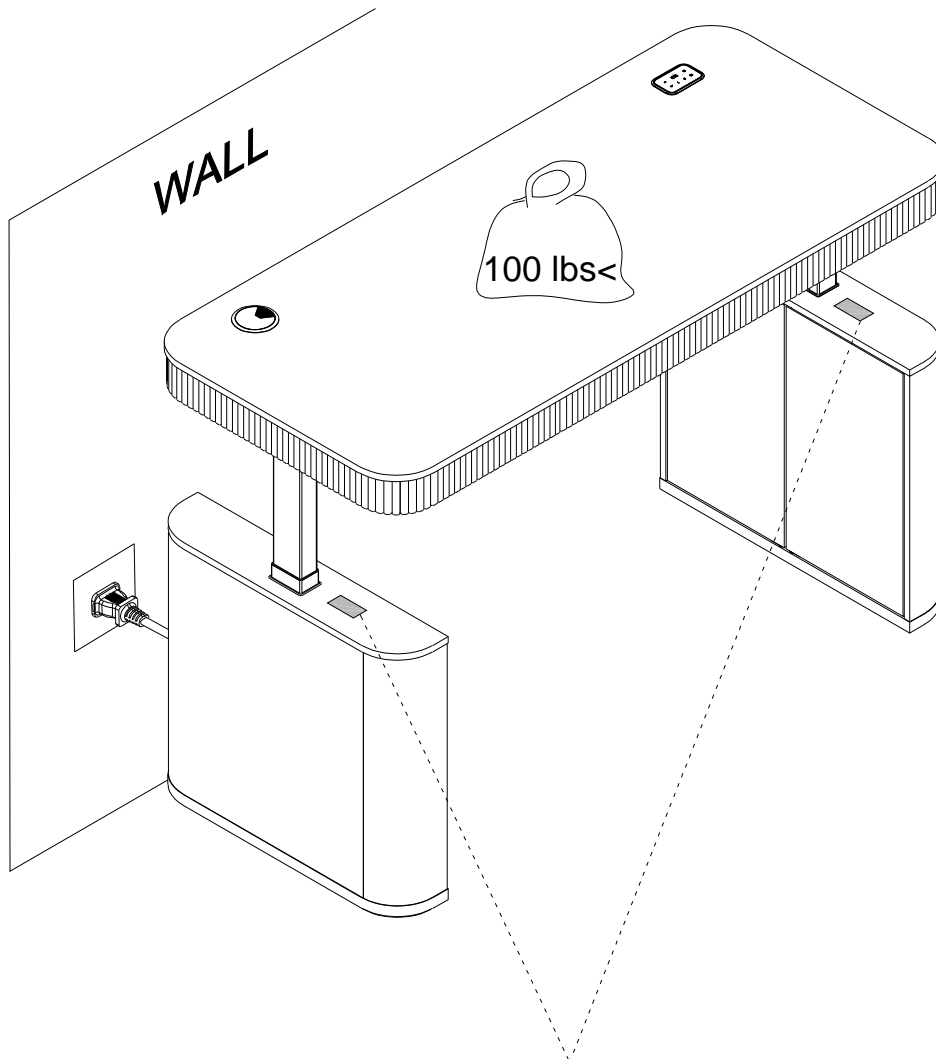
1. The doors on the foot box can be easily pushed open, and a second push will close it.
2. If the door does not open or close properly, you can twist it inward or outward as shown in the figure.

STEP 12



As in the right view, press the Downward button on the table to descend.
*** For more information, please refer to page (16).

STEP 13



WARNING:

Do not place hands or objects on top to prevent injury or danger !



CAUTION:

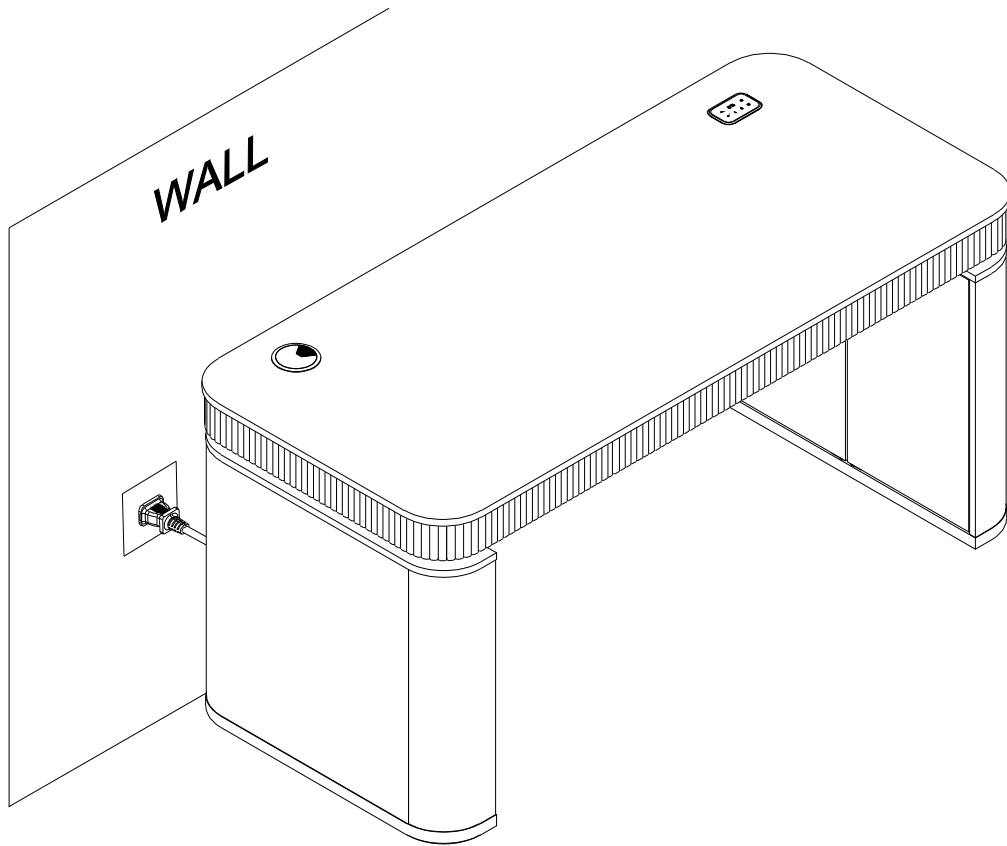
The sound you hear when activating the lifting function is normal and is caused by the high speed of the motor.






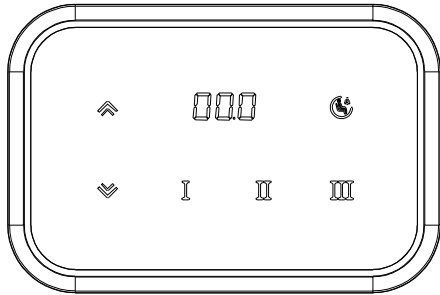
WARNING:

- 1.The load of the lifting table must be less than 100 LBS!
- 2.When raising or lowering the tabletop, ensure that the tabletop remains stationary and does not move!

STEP 14




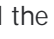

button	I	II	III			
Initial value	31.5 In/800mm	37.5 In/950mm	43.25In/1100mm	Sedentary reminders	rise	drop




1. First power-on:

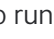

According to the controller nameplate will be connected to the power supply, the buzzer will "di, di" two sounds, and then display the current height. If the height displayed by the manual controller does not match the actual height of the lifting leg or the height of the lifting leg has changed after re-disassembly, the reset operation needs to be performed. Otherwise, it can be used directly according to the factory default.

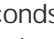


2. Reset operation:

When the system moves to the lowest position, release the button and hold down the "" button for 5 seconds. Then the system enters reset mode and RST is displayed on the display screen. During the reset process, you can release the drop "" key at any time and the table will stop running. Press and hold the "" button again to continue the reset.

The reset makes a sound of "di", the reset operation is finished, and the minimum height of the table is displayed.

When the minimum limit is set and the system moves to the limit position, hold down the "" button for 5 seconds and do not release it. Then the system enters reset mode and RST is displayed on the display screen.

During the reset process, you can release the drop "" key at any time and the table will stop running. Press the "" button again to continue the reset. After the reset is complete, the system drops and displays the minimum height of the table.

When the manual controller is abnormal, Exx is displayed. Hold down the "" button for 5 seconds and do not release it. Then the system enters reset mode and RST is displayed on the display. During the reset process, you can release the "" key at any time and the table will stop running. Press the "" button again to continue the reset. After the reset is complete, "di" sounds to show the minimum height of the table.

3. upward operation:

Press the "" button of the controller to lift the table up, and release the button to stop;




4. Downward operation:

Press the "" button of the controller to lower the lifting table and stop when you release the button;

5, memory position operation:

When the lifting leg is stopped, long press any key of " I ", " II ", " III " for more than 5 seconds, then the height position of the current lifting leg is saved to the corresponding key. The manual can remember a total of 3 height positions, and it is repeatable and can be saved after power failure. After the memory position is completed, directly press any of the keys in " I ", " II ", " III ", and the table will display the height of the memory bit for 1 second. At the same time, it will automatically run to the recorded position of the corresponding key. In the process of lifting the table back to the memory position, press any key to stop the operation.

6, sedentary reminder operation:

Long press the "  " button of the manual controller for more than 3 seconds, then the display screen flashes and displays the current default display of 60 minutes. At this time, you can press the " Δ " and " ∇ " keys to switch the sitting time (45 minutes, 60 minutes, 90 minutes, 120 minutes). After the setting of the time, directly press the "  " button to randomly start the sedentary reminder. Manual control all key lights begin to flash in the form of color running horse lights, the buzzer emits a "di, di" prompt sound, at this time the user presses any of the keys in " I ", " II ", " III ", the table will rise to the memory bit set by the corresponding " I ", " II ", " III " keys, if the user does not want to stand up and work, you can press the "  " key to turn off the sedentary reminder function.

7. Energy saving mode:


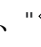
If no operation is performed on the key within 30 seconds, the energy saving mode is entered. The manual display is turned off and the controller enters the low power consumption mode. Press any key to exit the energy saving mode. In energy saving mode, the key motion command does not take effect.


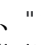
8. Thermal protection:

In order to better protect the motor, the system will run 5 meters in 18 minutes, and the system will enter the thermal protection mode. The thermal protection needs to be detected in the shutdown state, and the display screen will display HOT. At this time, other functions of the manual controller will be turned off and the key cannot be used.

After 18 minutes, the hand controller will automatically exit the thermal protection mode, or exit the thermal protection mode after power failure and restart.

9. child safety lock:

Hold down, press "  ", "  " and press " I " for 5 seconds. If LOC is displayed on the manual controller, the system is locked and cannot be lifted or lowered.

In the locked state, hold down, press "  ", "  " and press " I " for 5 seconds. When the display of the manual controller changes from LOC to a normal digit display, the system is unlocked.

10, menu option operation:

In user mode and in the shutdown state, press the "⏏" key and "⏏" at the same time for 5 seconds to enter the menu page. Press the "⏏" and "⏏" keys to switch

Menu, switching sequence as shown below:

P00 → P01 → P02 → P04 → P05 → P06

On the menu screen: Press "I" to access the Settings page. To modify the parameters under the corresponding menu, press "⏏" and press "⏏".

On the Settings screen, the parameter blinks. Press "I" to confirm the setting.

If no operation is timed out for 5 seconds, the system automatically exits the menu mode and sets and saves the modified parameters.

menu	menu display	set display	default	remark
Display Unit	P00	0/1	0	0:metric unit (cm) 1: English unit (inch)
Minimum height limit	P01	Bottom~ (Top-10)	Top (minimum altitude)	Gradient Spread:Bottom~ (Top-10) cm, step length is 1cm At the same time, the setting value should be at least 10cm smaller than the maximum limit height value
Maximum limit height	P02	(Bottom+10)~ Top	Top (maximum height)	The value ranges from (Bottom+10) to Top cm. step length is 1cm At the same time, the setting value should be at least 10cm larger than the minimum limit height value
Base Height	P03	0~60	0	reserved
Ascent resistance sensitivity	P04	0~10	5	Ascent protection against obstacles: 0: disables. 1 ~ 10: The larger the number, the lower the sensitivity
Descent resistance sensitivity	P05	0~10	5	Drop protection against obstacles: 0: disables. 1 ~ 10: The larger the number, the lower the sensitivity
Buzzer control switch	P06	0/1	1	0:Turn off the buzzer (do not turn off the abnormal alarm tone) 1: Turn on the buzzer

Recycling and Disposal



This product cannot be disposed of as household waste. To prevent damage to the environment, this product should be recycled. Please use the relevant recycling systems available to you or contact the distributor or manufacturer for recycling assistance.

Trouble removal

When there is a fault, “didi” 2 sound to remind the user that the machine is in a fault state and cannot be used. After the fault is completely cleared, “didi” 2 sounds reminds the user to use it often.

Failure code	Instructions	solution
E01	Motor 1 disconnected	After checking that the line is OK, hold down the down button for 5S and then reset or restart with power off
E02	Motor 2 disconnected	After checking that the line is OK, hold down the down button for 5S and then reset or restart with power off
E03	Motor 1 overcurrent	After checking that the line is OK, hold down the down button for 5S and then reset or restart with power off
E04	Motor 2 overcurrent	After checking that the line is OK, hold down the down button for 5S and then reset or restart with power off
E05	Motor 1 Hall wire is not plugged in	After the detection line is OK, recheck the Hall interface
E06	Motor 2 Hall wire is not plugged in	After the detection line is OK, recheck the Hall interface
E07	reserved	
E08	meet resistance	In case of abnormal resistance, check whether there is an obstacle. If the sensitivity is not appropriate, please adjust the sensitivity by referring to the menu section.
E09	The position deviation between the two sides is large	After checking that the line is OK, hold down the down button for 5S and then reset or restart with power off
E10	high voltage	Check whether the power supply is correct. If no problem is found, hold down the down button for 5S seconds and then reset or restart with power off
E11	low voltage	Check whether the power supply is correct. If no problem is found, hold down the down button for 5S seconds and then reset or restart with power off
E12	Motor 1 Hall break	Check whether the power supply is correct. If no problem is found, hold down the down button for 5S seconds and then reset or restart with power off
E13	Motor 2 Hall break	Check whether the power supply is correct. If no problem is found, hold down the down button for 5S seconds and then reset or restart with power off
E14	overload protection	Check whether the power supply is correct. If no problem is found, hold down the down button for 5S seconds and then reset or restart with power off

MAINTAINANCE AND WARNING

- Keep furniture away from heat.
- Do not clean furniture with harsh cleansers or polish. Do not use detergents, Solvents, abrasives, spray packs or leather cleaner. Use non-color mild soap with warm water clean spills(Mix 1:10 soap to water)
- Do not place furniture under direct sunlight, material will possibly fade over time.
- Do not use on site dry Cleaning machine.
- Children should not climb or jump on the furniture.
- Do not write on furniture without a padded barrier to protect the surface.
- Not for commercial use, For residential use only.
- The maximum load is 100 LBS .

WARRANTY

We strive to offer high- quality products, and we also try our best to satisfy each and every customer that orders from us with product or service as needed. We provide 30 days warranty starting from the time you receive the item. Each customer must provide a record of their order such as the order number, or item receipt for any items that are out of the warranty period you may also still receive replacement parts by purchasing them with our company if they are available.

Are you having difficulty with assembly? Missing parts? Please send email with your order No to customerservice@hulalahome.com

For return, please check the return policy with the retailer or market place you bought from. Appreciate your purchasing from us. Pop up your life by our furniture piece!