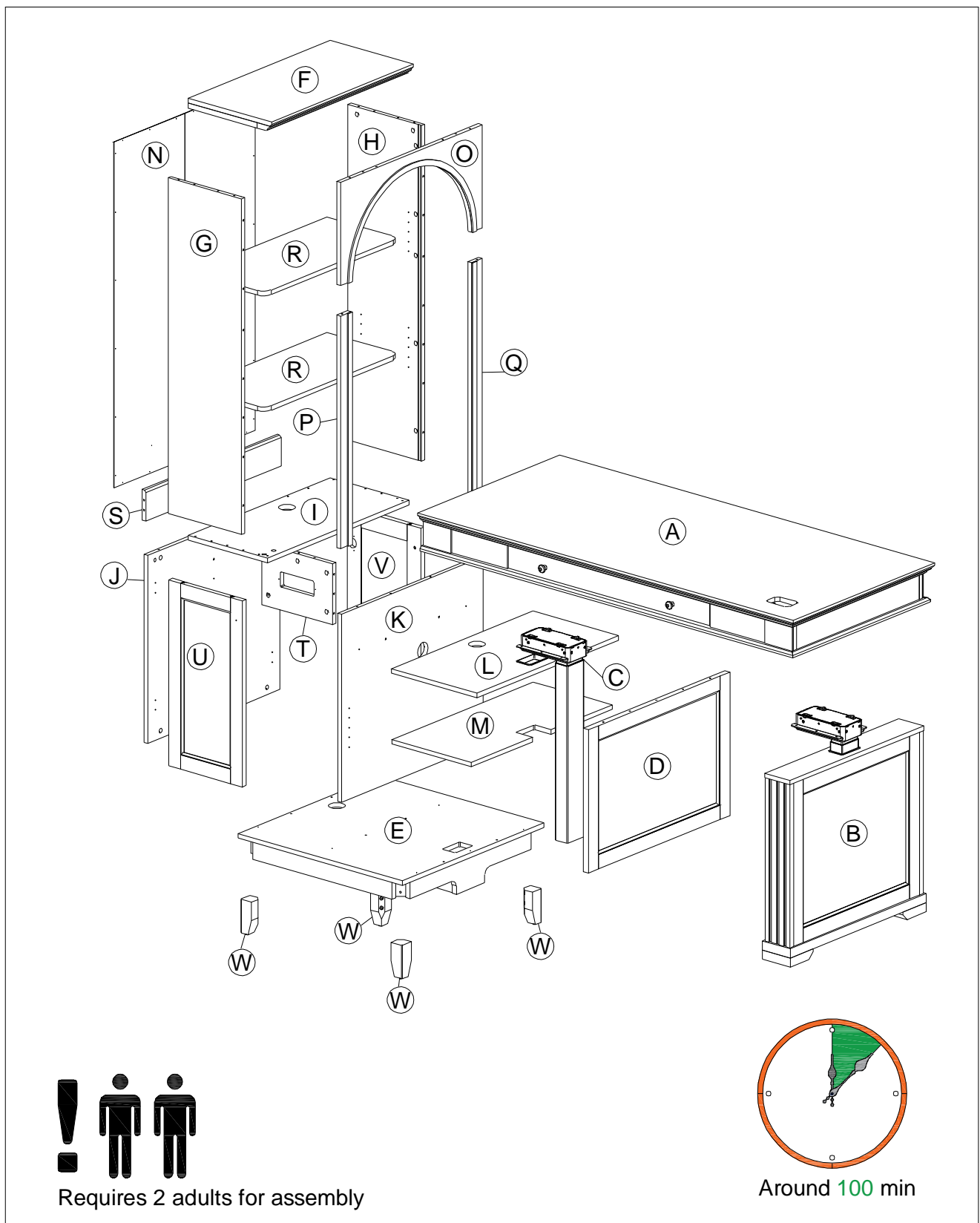


## **ITEM NO. Z6DKGR0518**

Thank you for purchasing this Writing Desk.

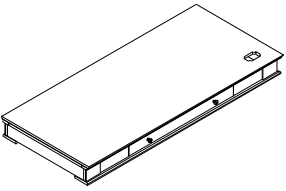
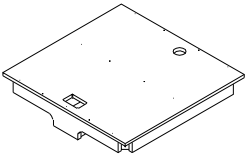
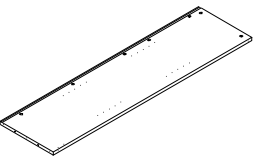
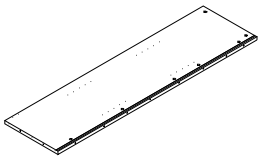
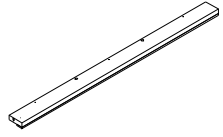
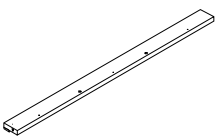
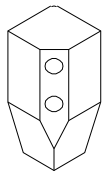
Please read the instructions and warnings carefully before use, to ensure safe and satisfactory operation of this product. At HULALA home we are committed to making great products possible. From our in-house Design Team, to our Buyers, we work together to bring great designs to life. Our expert Product Technologists work collaboratively with our buyers and suppliers to assure the legality, safety and quality of the product we sell. We are all committed to designing and developing products to the highest industry standards. We hope you are happy with your product and welcome any feedback or comments you may have.

# Exploded Diagram

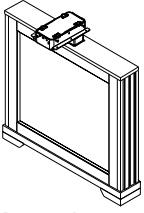
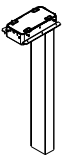
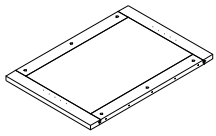
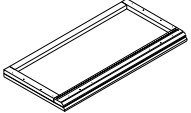
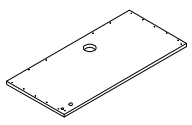
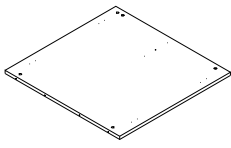
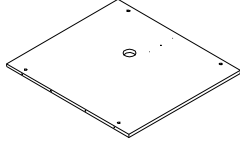
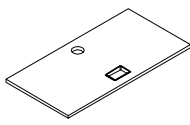
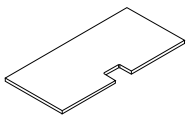
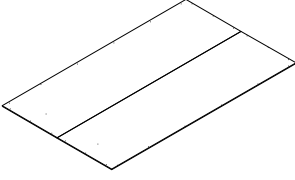
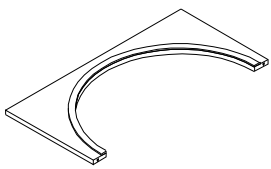
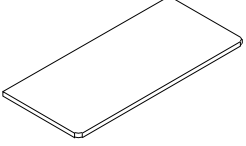
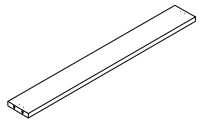
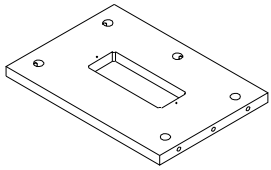
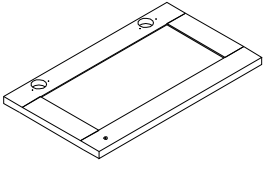
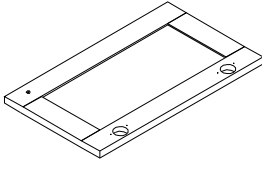


Ensure you check all packing materials carefully for small parts, which may have shifted during shipment. Assembly is estimated to take approximately 100 minutes.

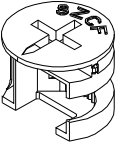
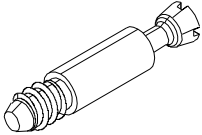
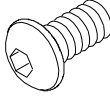
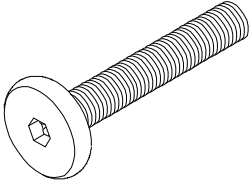
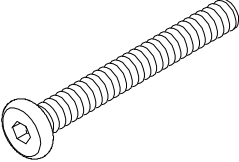
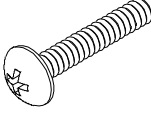
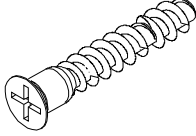
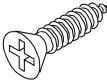
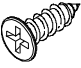
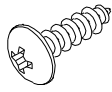

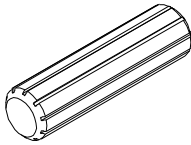
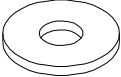
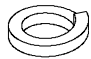
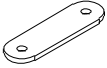
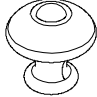
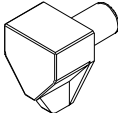
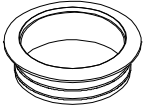

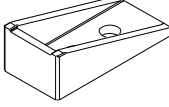

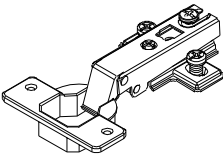
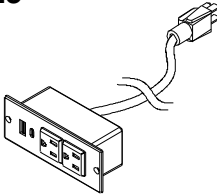
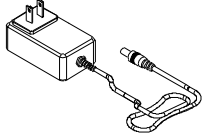

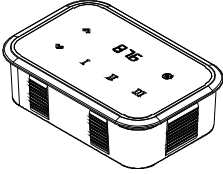
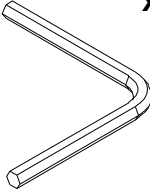

## PARTS LIST (Carton A)

<p><b>A</b> x 1</p>  <p>Desk top</p>	<p><b>E</b> x 1</p>  <p>Base</p>	<p><b>G</b> x 1</p>  <p>Upper Left Side Panel</p>	<p><b>H</b> x 1</p>  <p>Upper Right Side Panel</p>
<p><b>P</b> x 1</p>  <p>Left Front Strip</p>	<p><b>Q</b> x 1</p>  <p>Right Front Strip</p>	<p><b>W</b> x 4</p>  <p>Leg</p>	

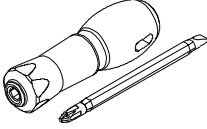
## PARTS LIST (Carton B)

<p><b>B</b> x 1</p>  <p>Right Motor Leg</p>	<p><b>C</b> x 1</p>  <p>Left Motor Leg</p>	<p><b>D</b> x 1</p>  <p>Right Side Panel</p>	<p><b>F</b> x 1</p>  <p>Top Panel</p>
<p><b>I</b> x 1</p>  <p>Middle Shelf Panel</p>	<p><b>J</b> x 1</p>  <p>Left Side Panel</p>	<p><b>K</b> x 1</p>  <p>Middle Vertical Panel</p>	<p><b>L</b> x 1</p>  <p>Right Top Panel</p>
<p><b>M</b> x 1</p>  <p>Lower Adjustable Shelf Panel</p>	<p><b>N</b> x 1</p>  <p>Upper Back Panel</p>	<p><b>O</b> x 1</p>  <p>Front Panel</p>	<p><b>R</b> x 1</p>  <p>Upper Adjustable Shelf Panel</p>
<p><b>S</b> x 1</p>  <p>Upper Back Cross Panel</p>	<p><b>T</b> x 1</p>  <p>Middle Cross Panel</p>	<p><b>U</b> x 1</p>  <p>Left Door</p>	<p><b>V</b> x 1</p>  <p>Right Door</p>

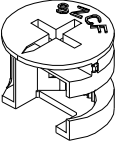
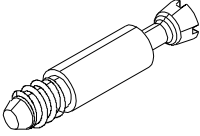
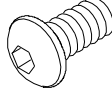
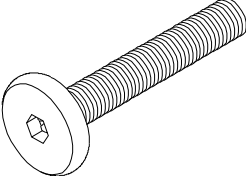
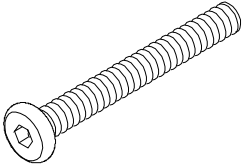
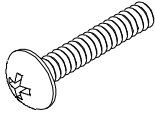
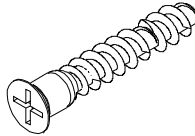
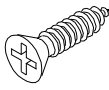
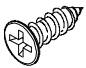
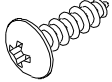

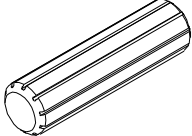
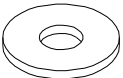
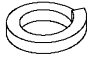
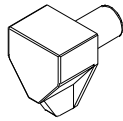
# HARDWARE LIST (Carton B)

1	x 43	2	x 43	3	x 12	4	x 4
							
Blg Cam Lock		Blg Cam Bolt		Bolt 1/4"x12mm		Bolt M6x35mm	
5	x 8	6	x 2	7	x 8	8	x 8
							
Bolt M6x50mm		Bolt For Handle M4x22mm		Bolt M7x38mm		Flat Head Screw Ø3.5x16mm	
9	x 15	10	x 26	11	x 1	12	x 40
							
Flat Head Screw Ø3.5x12mm		Round Head Screw Ø4x16mm		Small Cable Ties		Wood Dowel Ø8x30mm	
13	x 8	14	x 8	15	x 2	16	x 2
							
Flat Washer		Spring Washer		Iron Plate		Handle	
17	x 12	18	x 3	19	x 1	20	x 2
							
Shelf Support		Wire Cover (Without Cover)		Wire Cover		Plastic Support	
21	x 4	22	x 4	23	x 1	24	x 1
							
Cable Clip		Hinge		Electrical outlet		Power Adapter	
25	x 1	26	x 1	27	x 1	28	x 42
							
LED Strip		Control Box		Wrench		Cover	

## HARDWARE LIST

<p><b>29</b> <span style="float: right;"><b>x 1</b></span></p>  <p>Screwdriver</p>			
---	--	--	--

## SPARE LIST

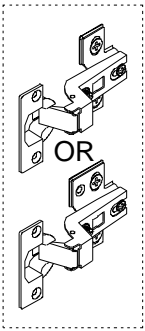
<p><b>1</b> <span style="float: right;"><b>x 3</b></span></p>  <p>Big Cam Lock</p>	<p><b>2</b> <span style="float: right;"><b>x 3</b></span></p>  <p>Big Cam Bolt</p>	<p><b>3</b> <span style="float: right;"><b>x 1</b></span></p>  <p>Bolt 1/4"x12mm</p>	<p><b>4</b> <span style="float: right;"><b>x 1</b></span></p>  <p>Bolt M6x35mm</p>
<p><b>5</b> <span style="float: right;"><b>x 1</b></span></p>  <p>Bolt M6x50mm</p>	<p><b>6</b> <span style="float: right;"><b>x 1</b></span></p>  <p>Bolt For Handle M4x22mm</p>	<p><b>7</b> <span style="float: right;"><b>x 1</b></span></p>  <p>Bolt M7x38mm</p>	<p><b>8</b> <span style="float: right;"><b>x 1</b></span></p>  <p>Flat Head Screw Ø3.5x16mm</p>
<p><b>9</b> <span style="float: right;"><b>x 1</b></span></p>  <p>Flat Head Screw Ø3.5x12mm</p>	<p><b>10</b> <span style="float: right;"><b>x 2</b></span></p>  <p>Round Head Screw Ø4x16mm</p>	<p><b>11</b> <span style="float: right;"><b>x 1</b></span></p>  <p>Small Cable Ties</p>	<p><b>12</b> <span style="float: right;"><b>x 3</b></span></p>  <p>Wood Dowel Ø8x30mm</p>
<p><b>13</b> <span style="float: right;"><b>x 1</b></span></p>  <p>Flat Washer</p>	<p><b>14</b> <span style="float: right;"><b>x 1</b></span></p>  <p>Spring Washer</p>	<p><b>17</b> <span style="float: right;"><b>x 1</b></span></p>  <p>Shelf Support</p>	

Before your installation, please make sure that you have all the parts listed on the manual. If you find something missing, stop installing and contact your supplier immediately.

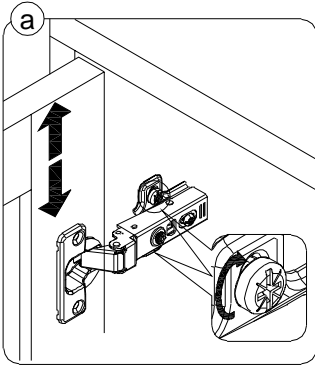
NOTE: Please do not completely tighten all the hardware until the entire assembly is completed! Be sure to tighten all the hardware once the assembly completed.

NOTE: Should be assembled on soft surface to keep balance.

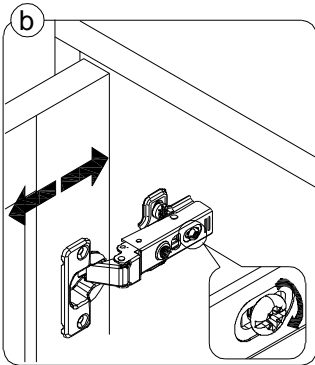
## IF HAVE THIS ACCESSORY



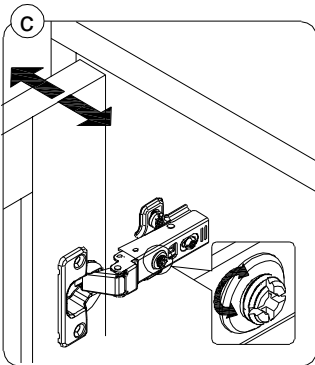
It may be necessary to adjust the hinges so that the doors align. Use the instructions below as a guide.



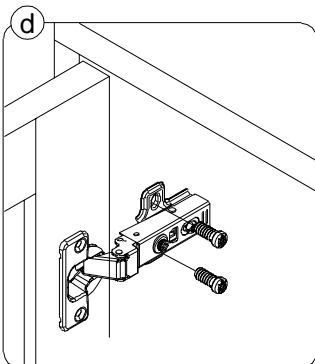
To adjust the door vertically loosen the screw as shown and move up and down as needed.



To adjust the gap from the door to the main frame turn the screw clockwise or anti-clockwise as needed.

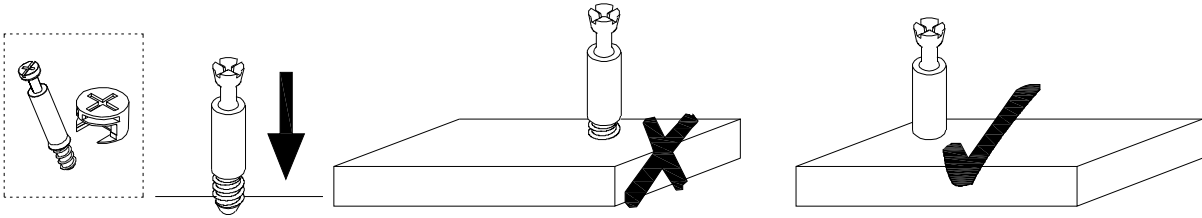


To adjust the door laterally adjust the screw as shown by turning clockwise or anti-clockwise.

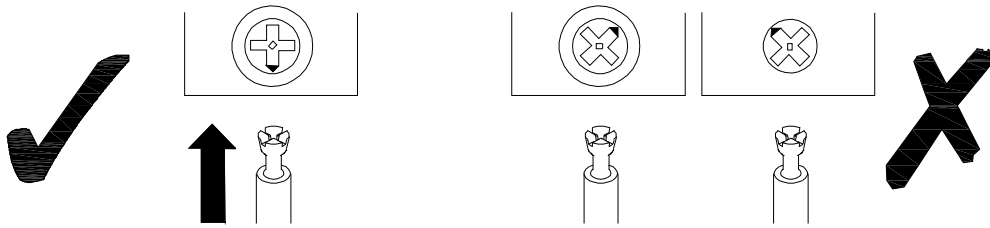


Please fix all screws.

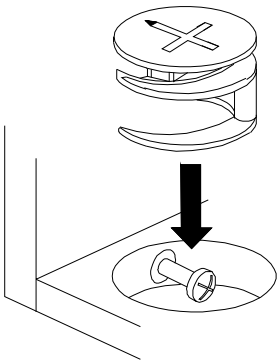
IF HAVE THIS ACCESSORY



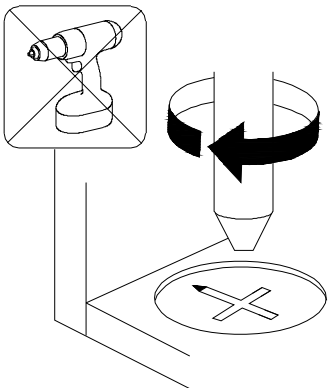
QUICKFIT: Tighten quickfit until shoulder is flush with panel. Do not overtighten or undertighten.



CAM LOCK: When fitting cam lock, ensure starting position is correct before you insert connecting quickfit.





Quickfit head should be in the centre of the cam lock when the two panels are joined.

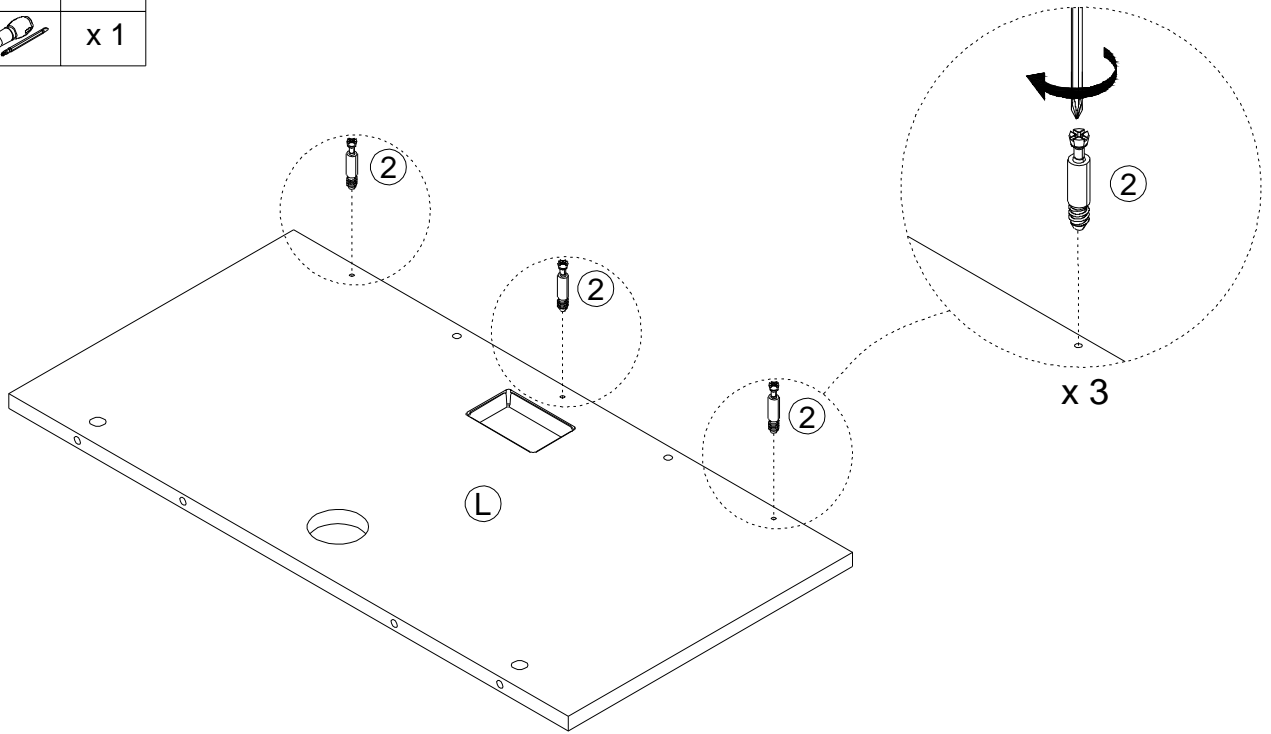


Turn cam lock clockwise to tighten.

# ASSEMBLY INSTRUCTION


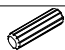
## STEP 1

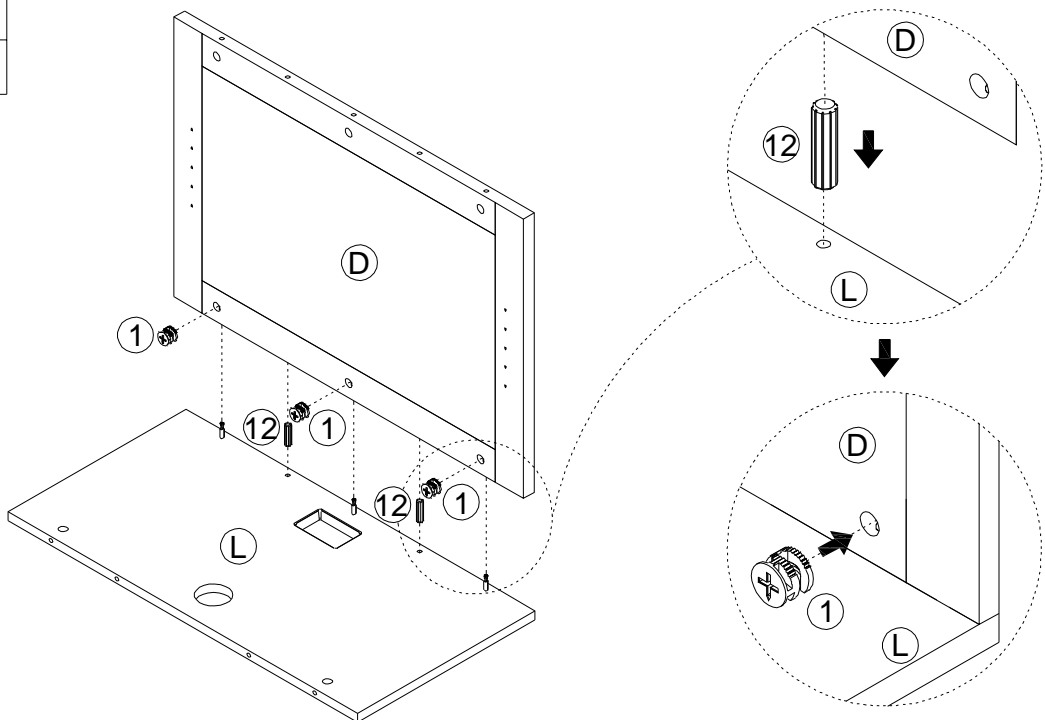
2		x 3
29		x 1



Use a screwdriver (29) to insert cam bolts (2) into the right top panel (L).

## STEP 2



1		x 3
12		x 2

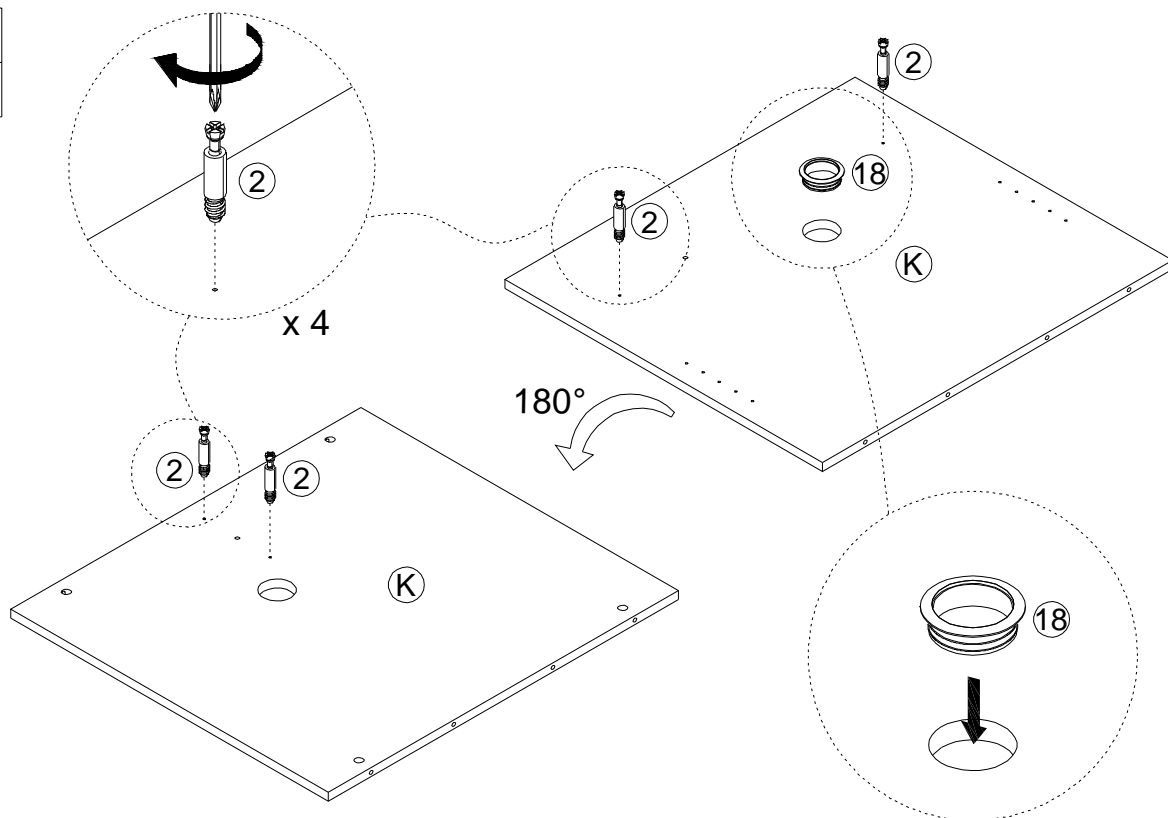


Insert the right side panel (D) into the right top panel (L) , connect with wood dowels (12), and into cam locks (1) tighten with a screwdriver.




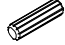
### STEP 3

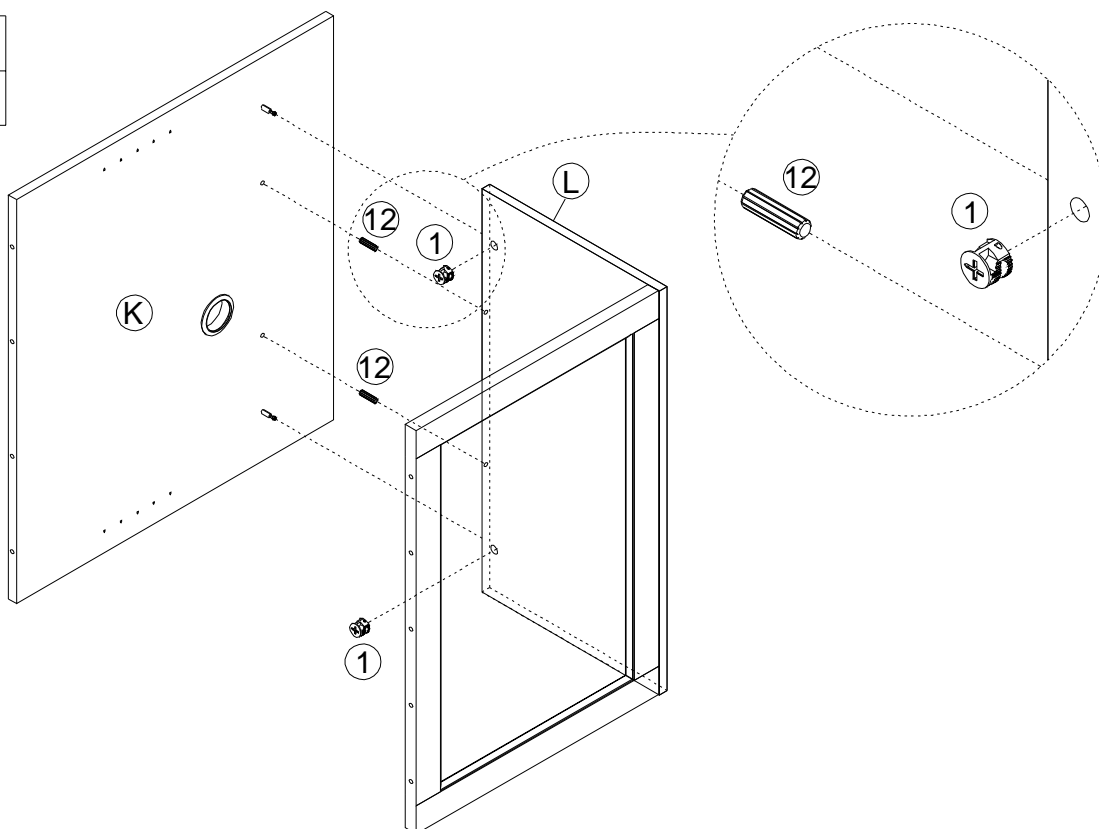
2		x 4
18		x 1



1. Insert the wire cover (18) into the middle vertical panel (K).
2. Flip the middle vertical panel (K), and secure it with cam bolts (2).

### STEP 4

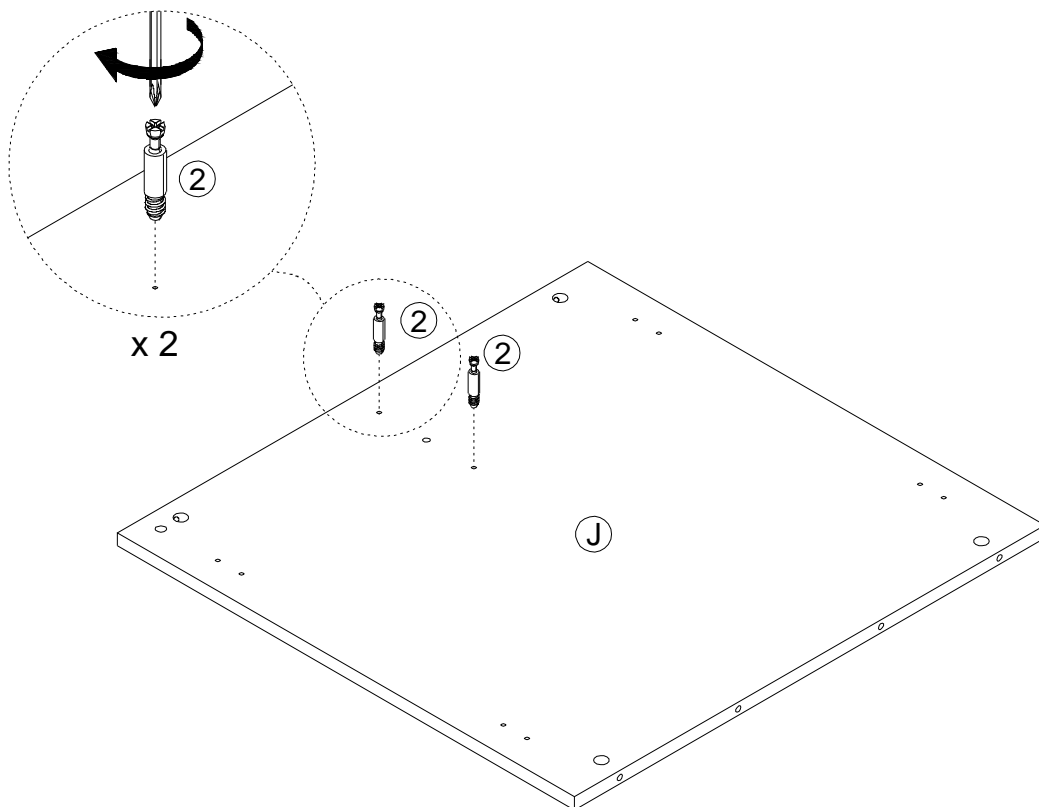
1		x 2
12		x 2



Insert the middle vertical panel (K) into the right top panel (L) connect with wood dowels (12), and into cam locks (1) tighten with a screwdriver.


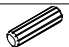
## STEP 5

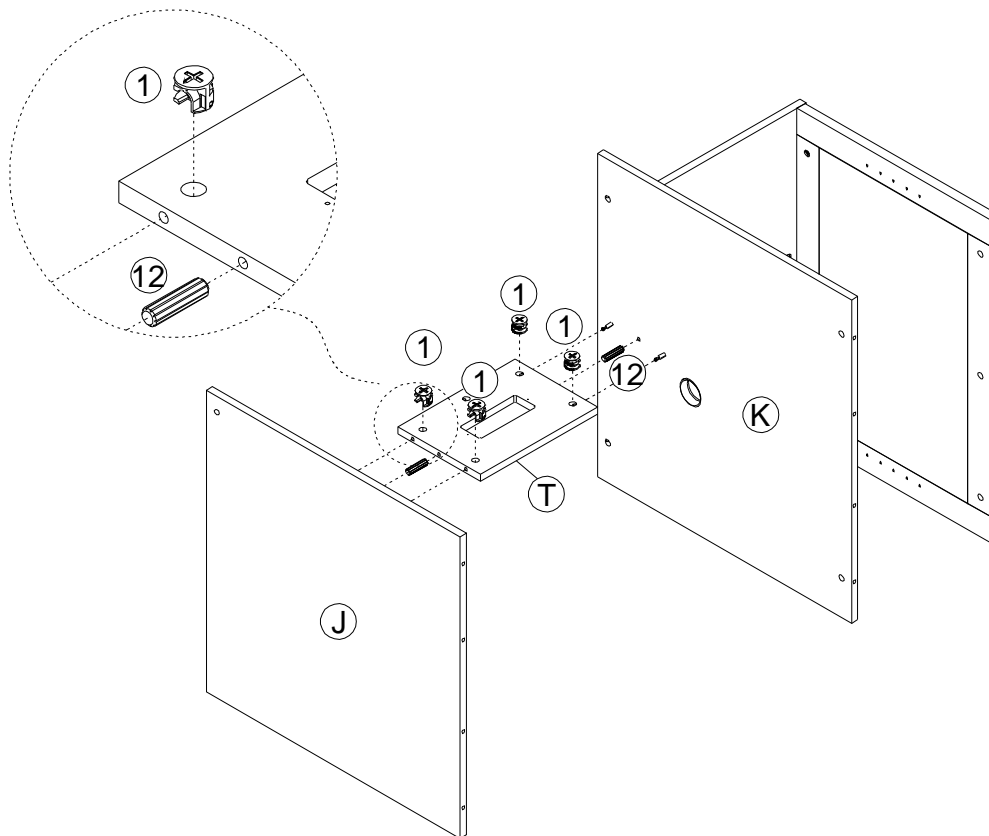
2		x 2
---	---	-----



Insert cam bolts (2) into the left side panel (J) tighten with a screwdriver.





## STEP 6

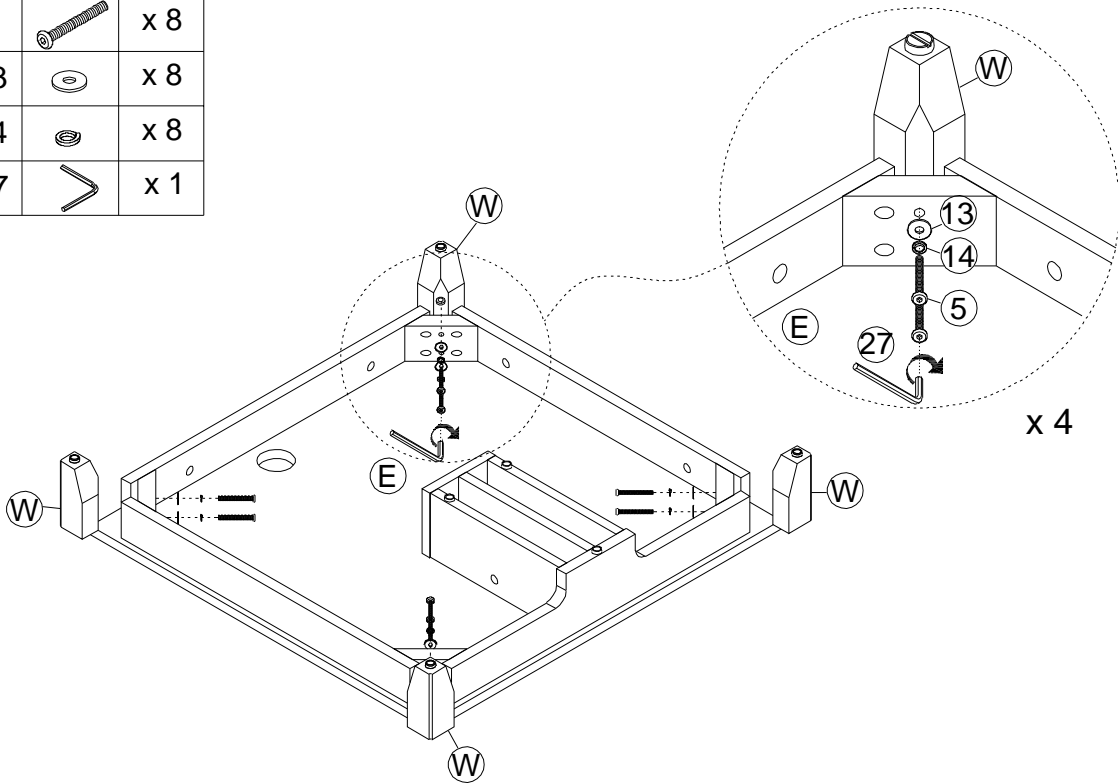
1		x 4
12		x 2



Insert the middle cross panel (T) into the left side panel (J) and the middle vertical panel (K), connect with wood dowels (12), and into cam locks (1) tighten with a screwdriver.



## STEP 7

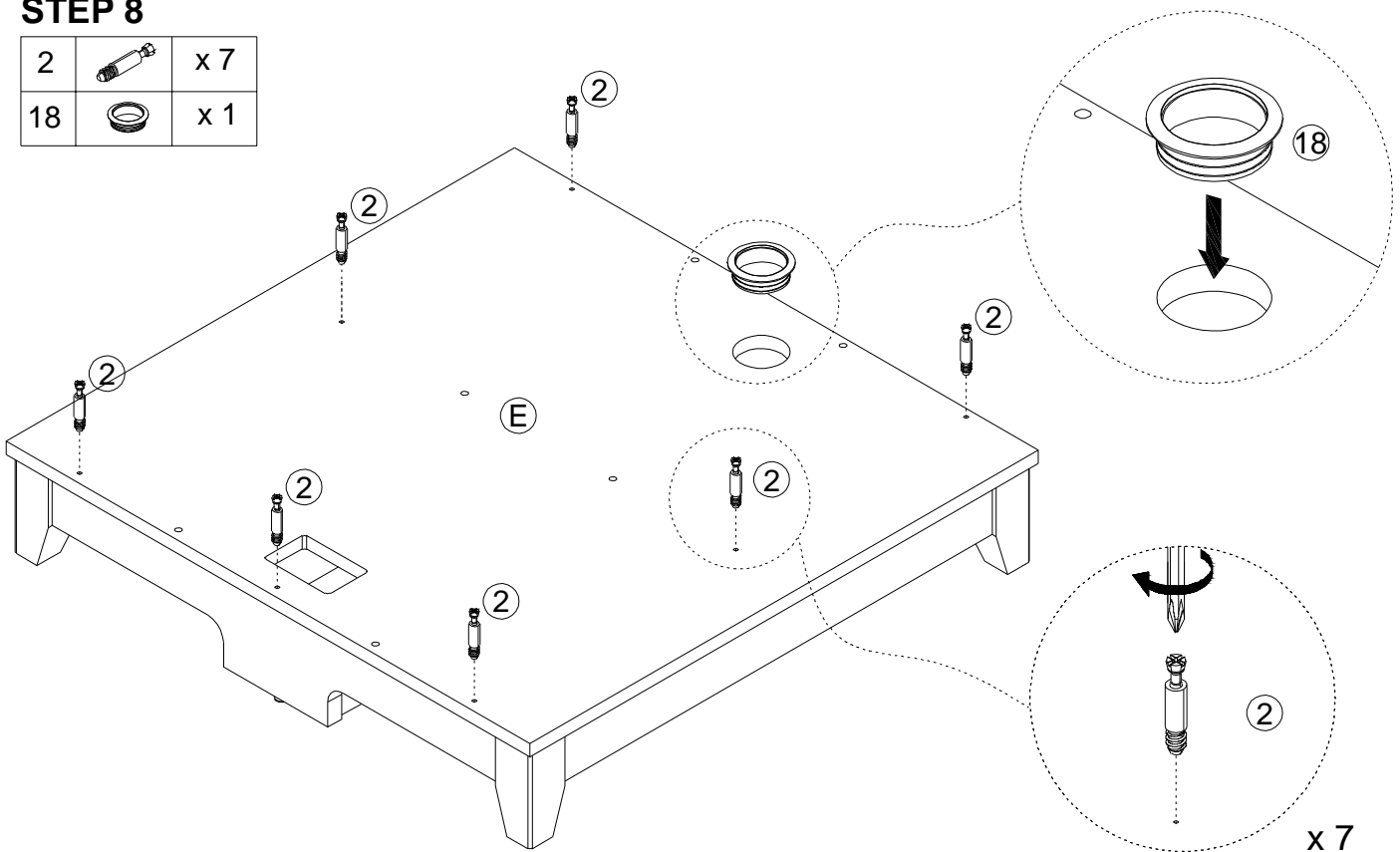
5		x 8
13		x 8
14		x 8
27		x 1



Insert bolts (5) through spring washer (14) and flat washer (13) and the bottom panel (E), align with the legs (W), and tighten using a wrench.


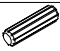
## STEP 8

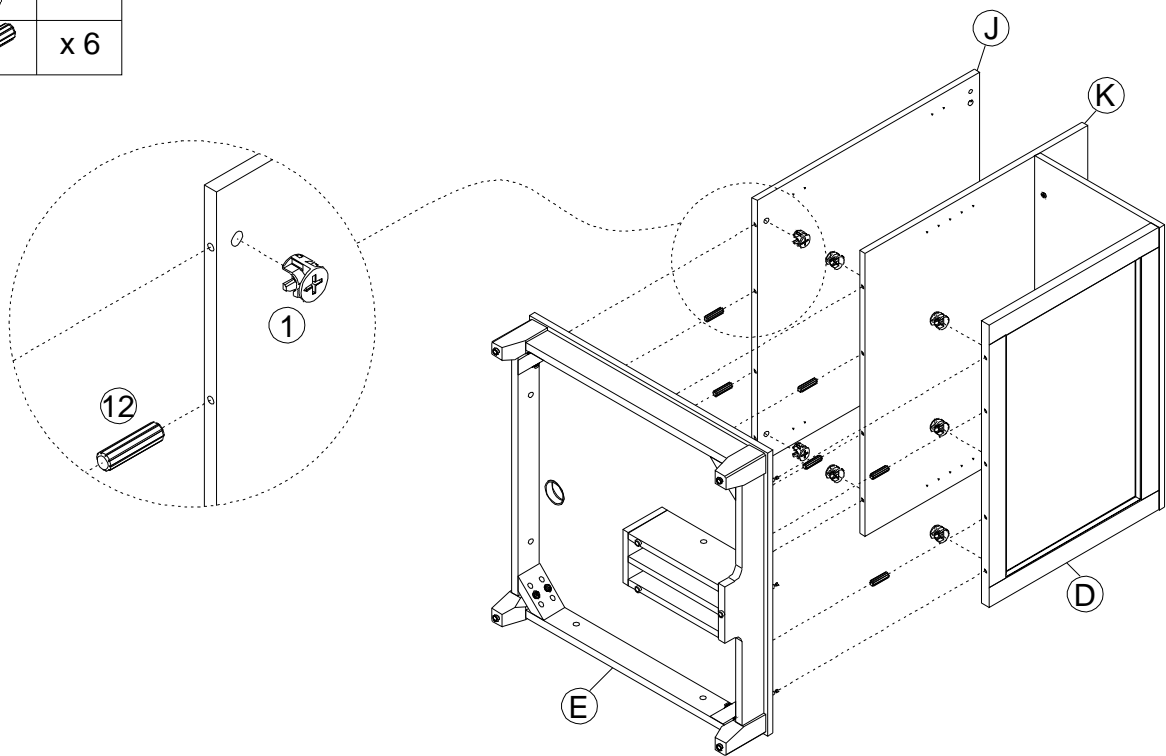
2		x 7
18		x 1



1. Insert the wire cover (18) into bottom panel (E).
2. Insert cam bolts (2) into the bottom panel (E) tighten with a screwdriver.



## STEP 9

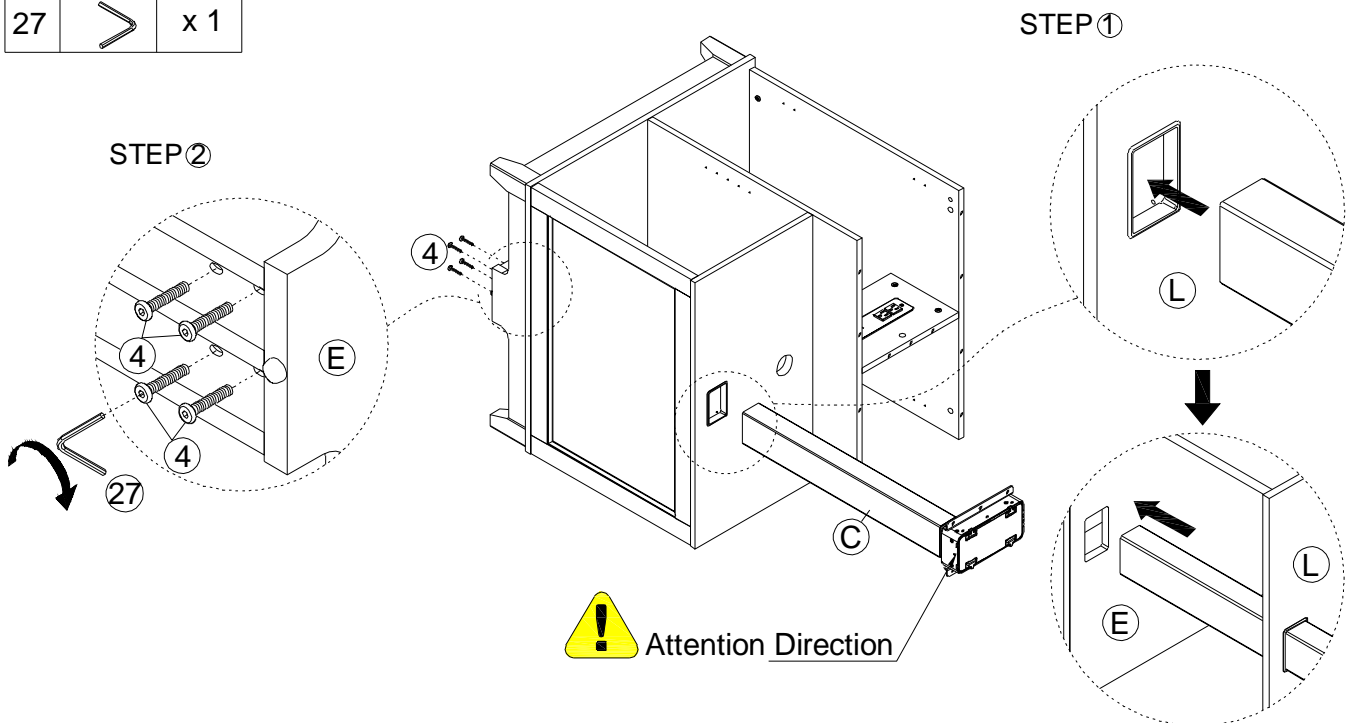
1		x 7
12		x 6



Insert base (E) into left side panel (J), middle vertical panel (K) and right side panel (D), connect with wood dowels(12), insert cam bolts (1) and tighten.




## STEP 10

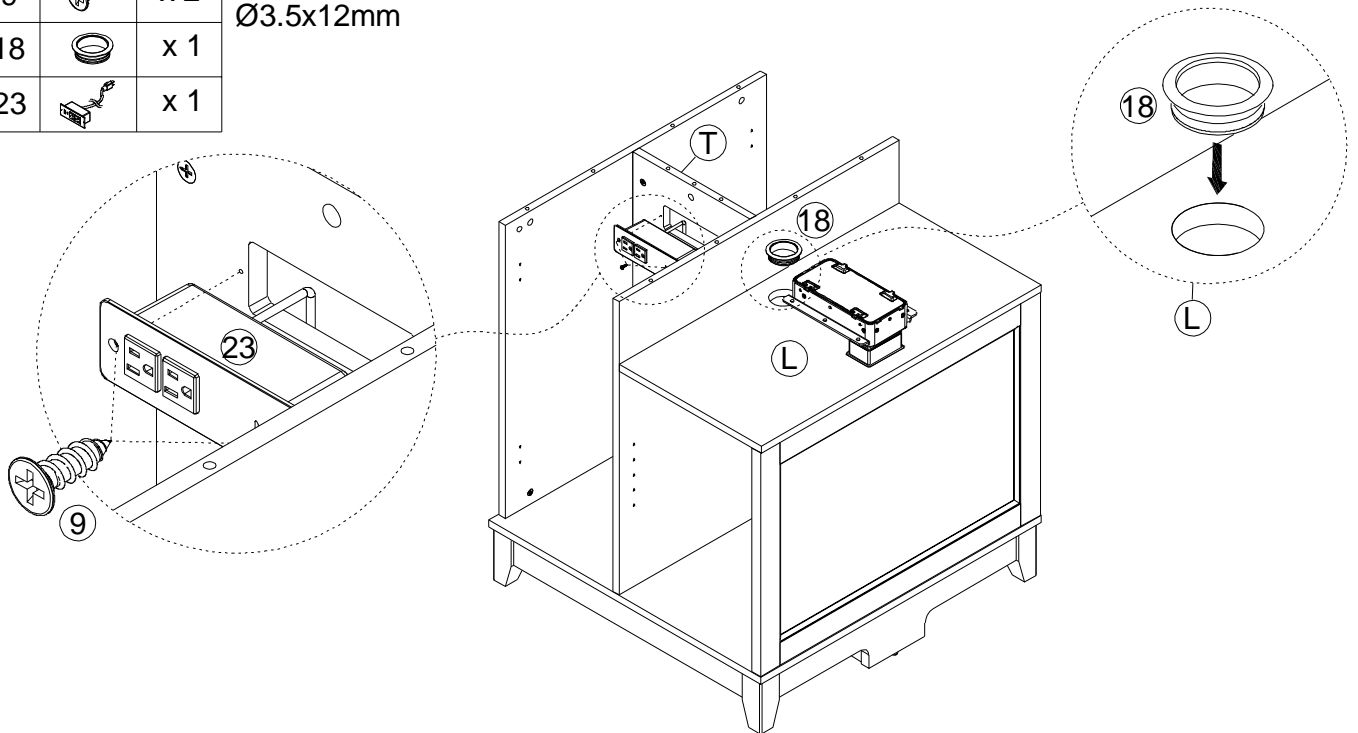
4		x 4
27		x 1



1. Insert motor leg (C) into the designated slots on right top panel (E).
2. Align the hole at the bottom of the motor leg with the hole on the bottom panel (E), secure it with bolts (4) and tighten using a wrench (27).


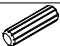
## STEP 11

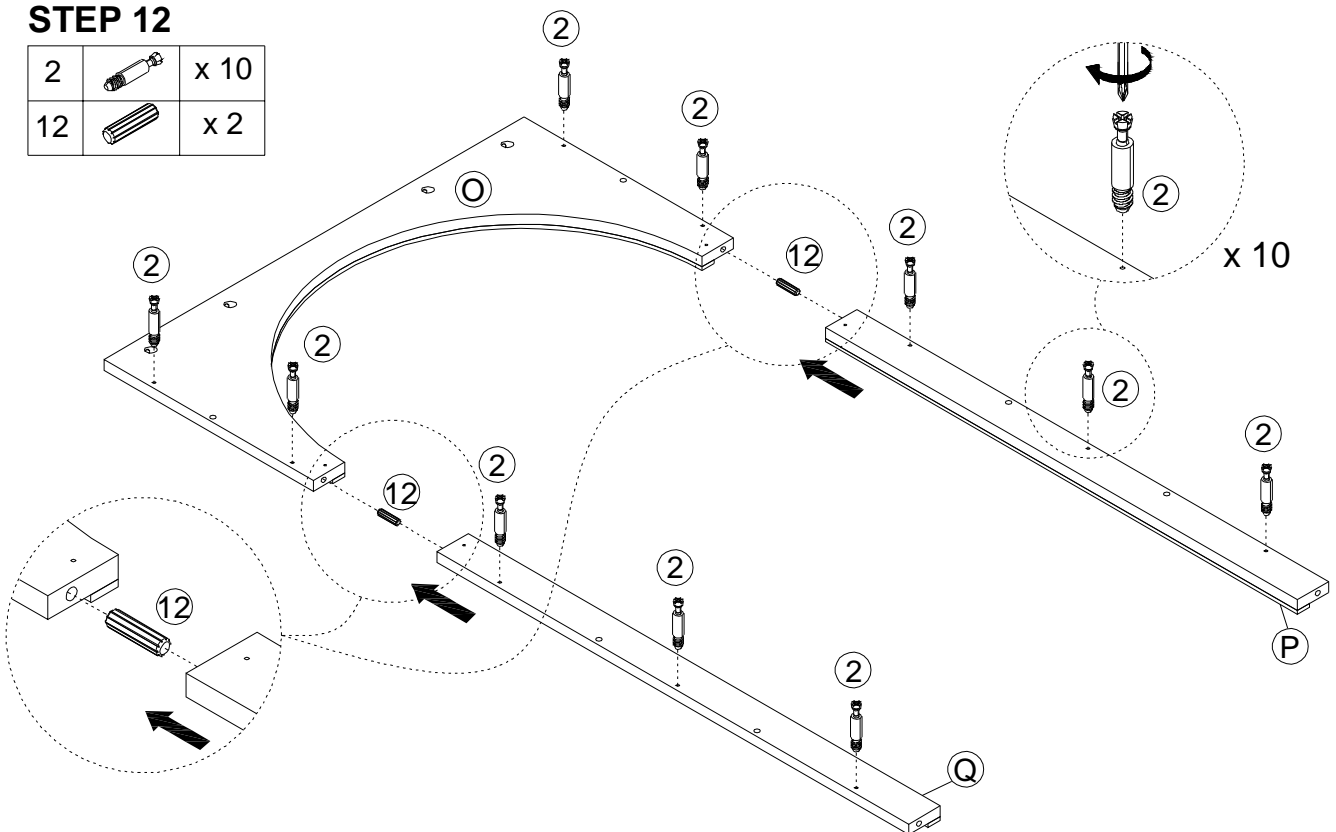
9		x 2	Flat Head Screw Ø3.5x12mm
18		x 1	
23		x 1	



1. Install the socket (23) on middle cross panel (T) and tighten it with flat head screws (9) tighten with a screwdriver.
2. Put wire cover (18) into right top panel (L).



## STEP 12

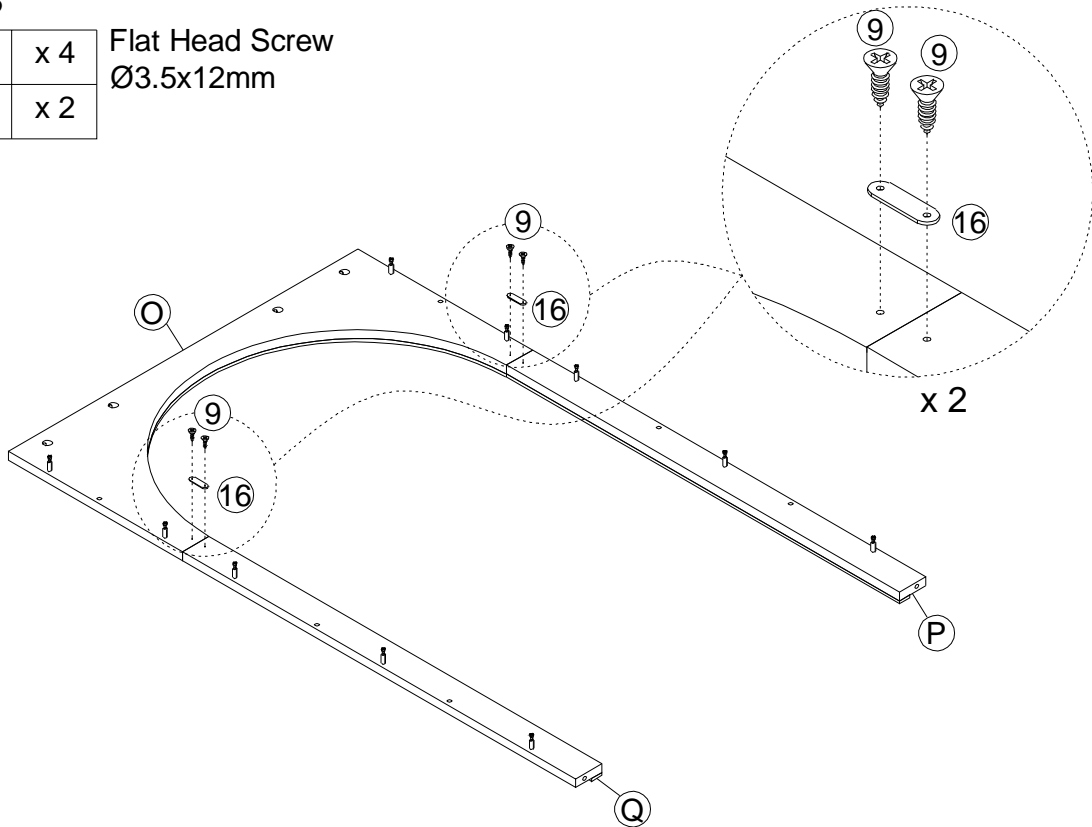
2		x 10
12		x 2



Insert cam bolts (2) into left front strip (P) and right front strip (Q) and front top strip (O) tighten with a screwdriver. Connect these panels with wood dowels (12).


### STEP 13

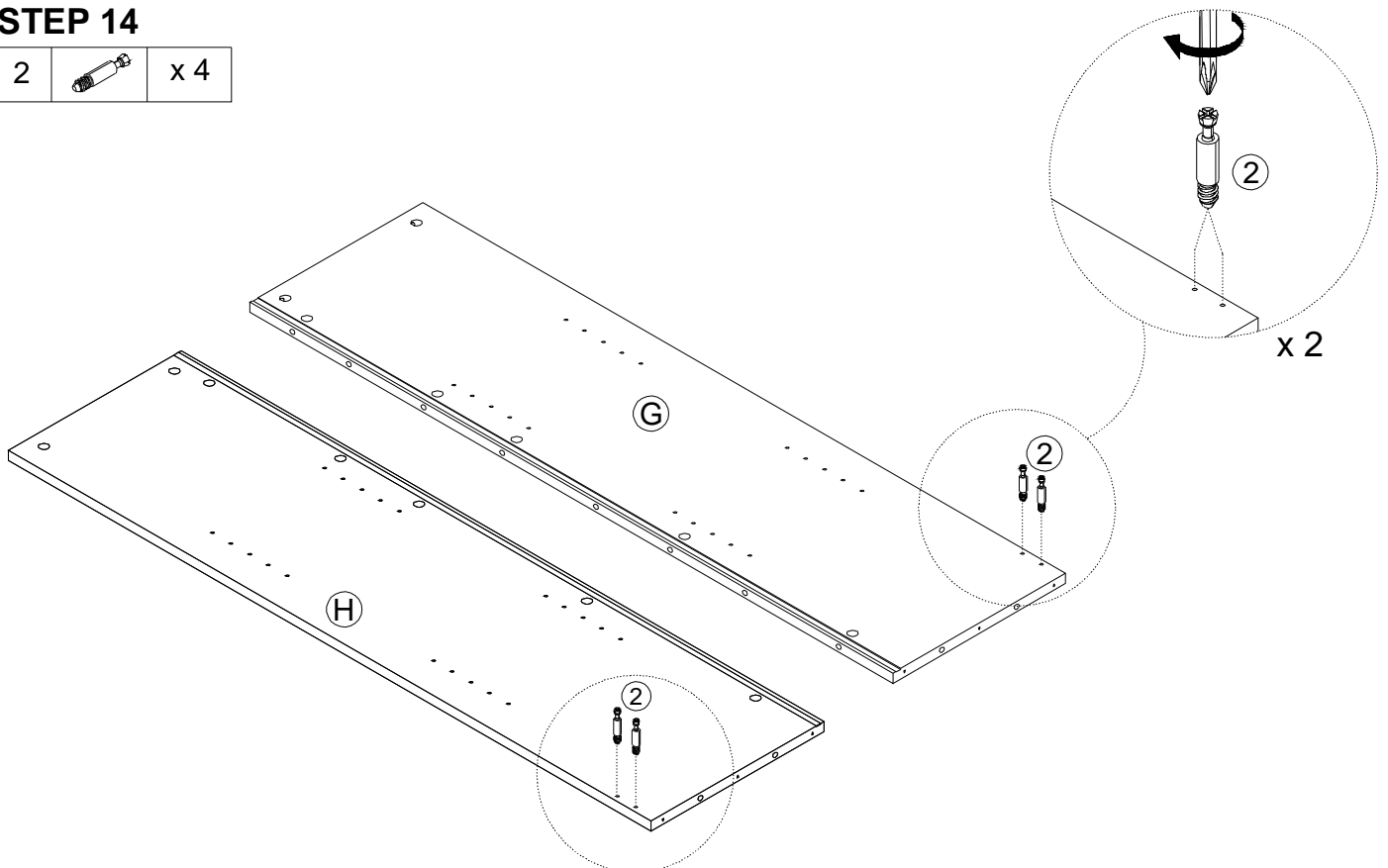
9		x 4	Flat Head Screw Ø3.5x12mm
16		x 2	



Install the iron plate (16) onto the left front strip (P), right front strip (Q), and front top strip (O). Secure them with flat head screws (9) using a screwdriver.

### STEP 14

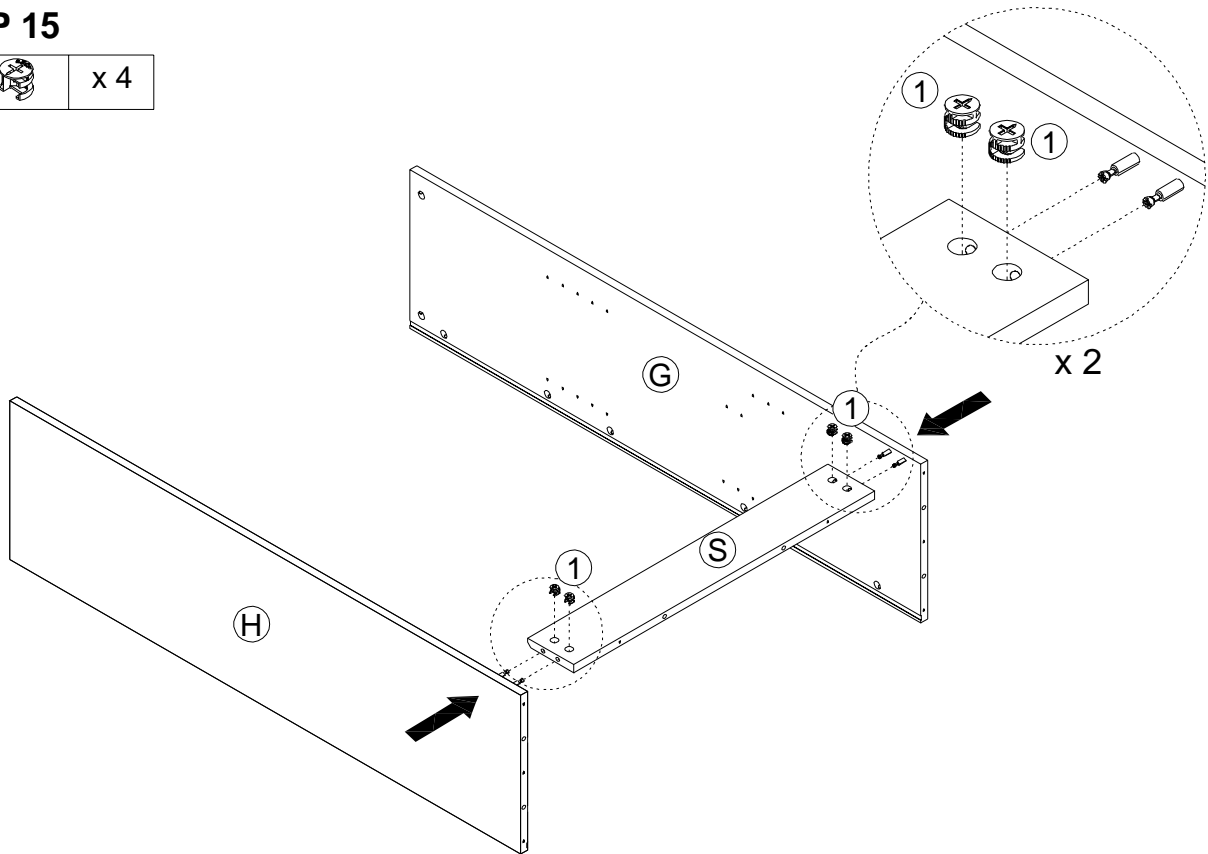
2		x 4
---	---	-----



Insert cam bolts(2) into the upper left side panel (G) and upper right side panel (H) tighten with a screwdriver.



## STEP 15

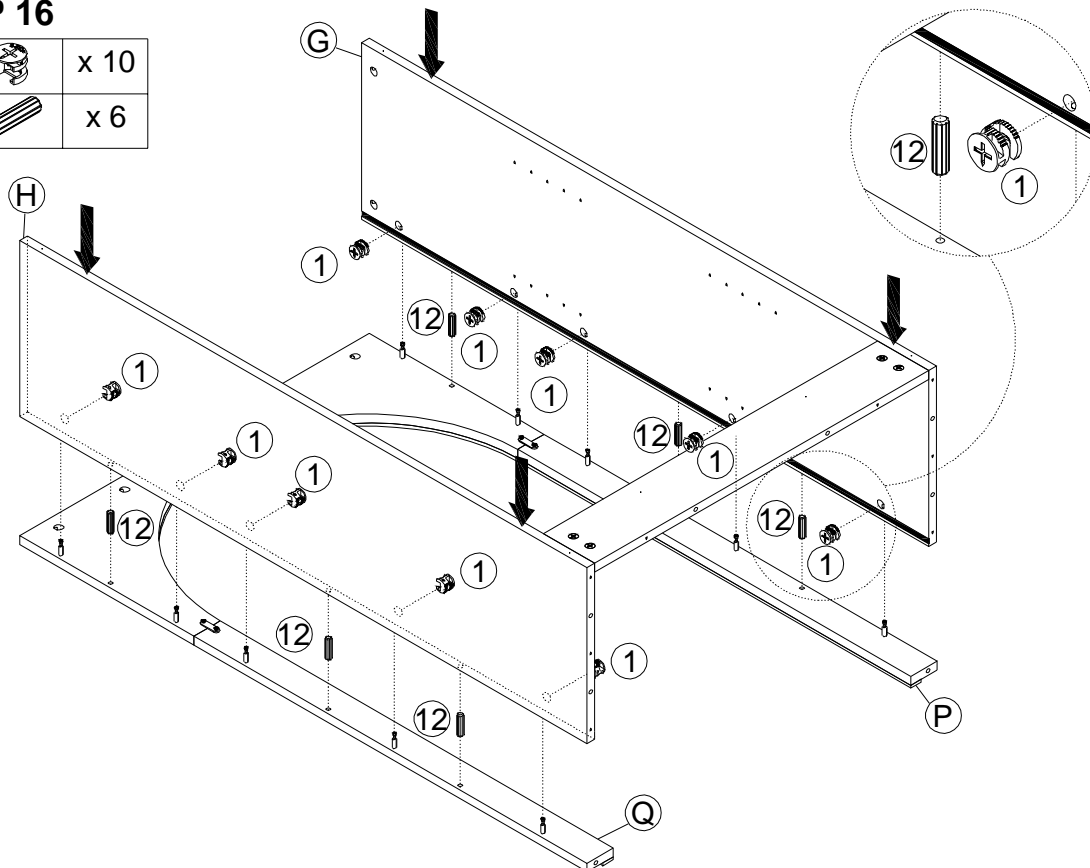
1		x 4
---	---	-----



Insert upper left side panel (G) and upper right side panel (H) into upper back cross panel (S), insert in cam bolts (1), and tighten them with a screwdriver.




## STEP 16

1		x 10
12		x 6

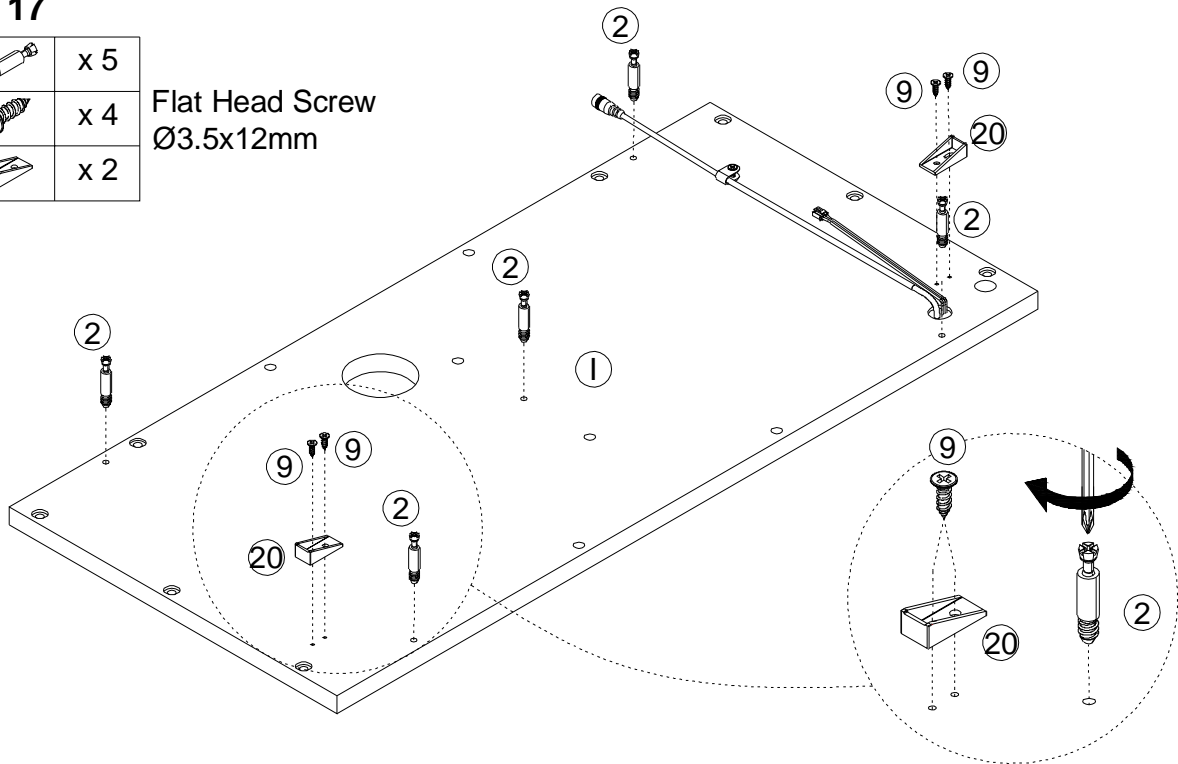


Insert upper left side panel (G) and upper right side panel (H) into left front strip (P) and right front strip (Q) connect them with the wood dowels (12), insert cam bolts (1) and tighten them with a screwdriver.

## STEP 17

2		x 5
9		x 4
20		x 2

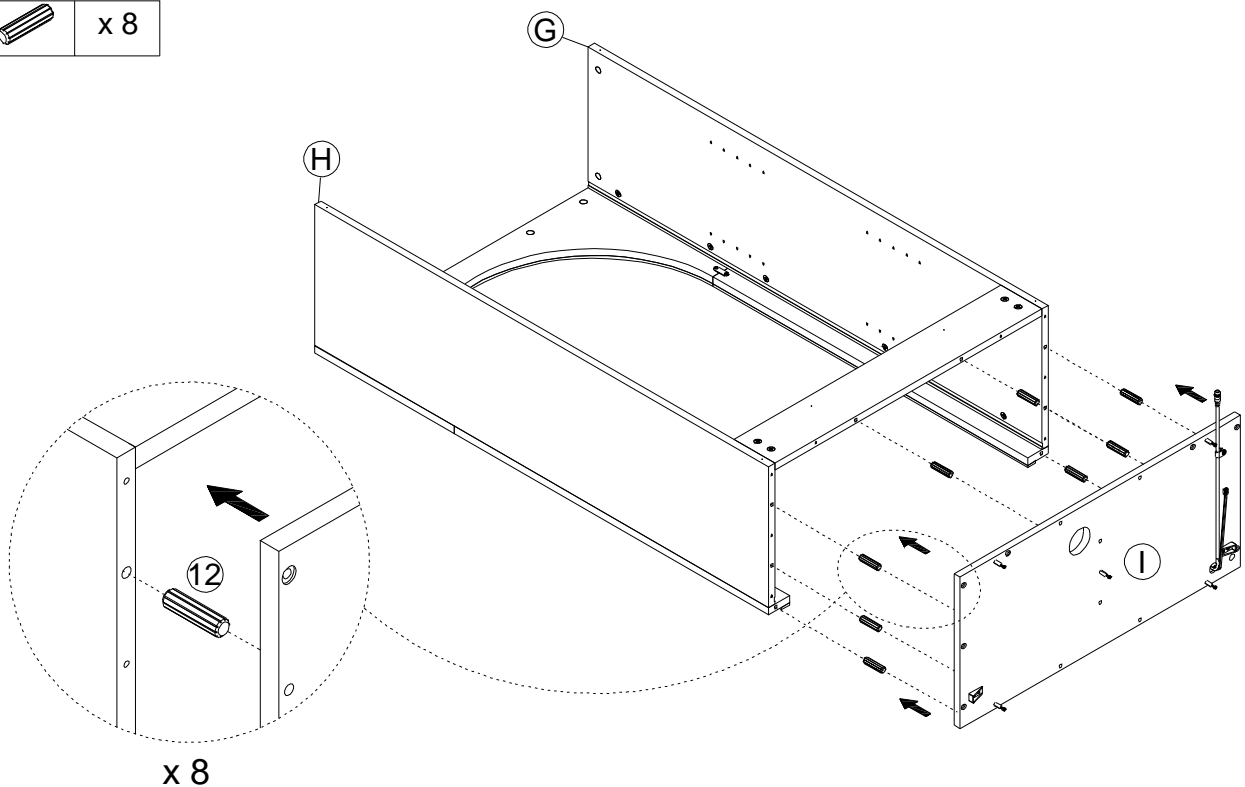
Flat Head Screw  
Ø3.5x12mm



1. Install plastic support (20) onto middle shelf panel (I) using flat head screws (9).
2. Insert cam bolts (2) into the middle shelf panel (I) and tighten with a screwdriver.

## STEP 18

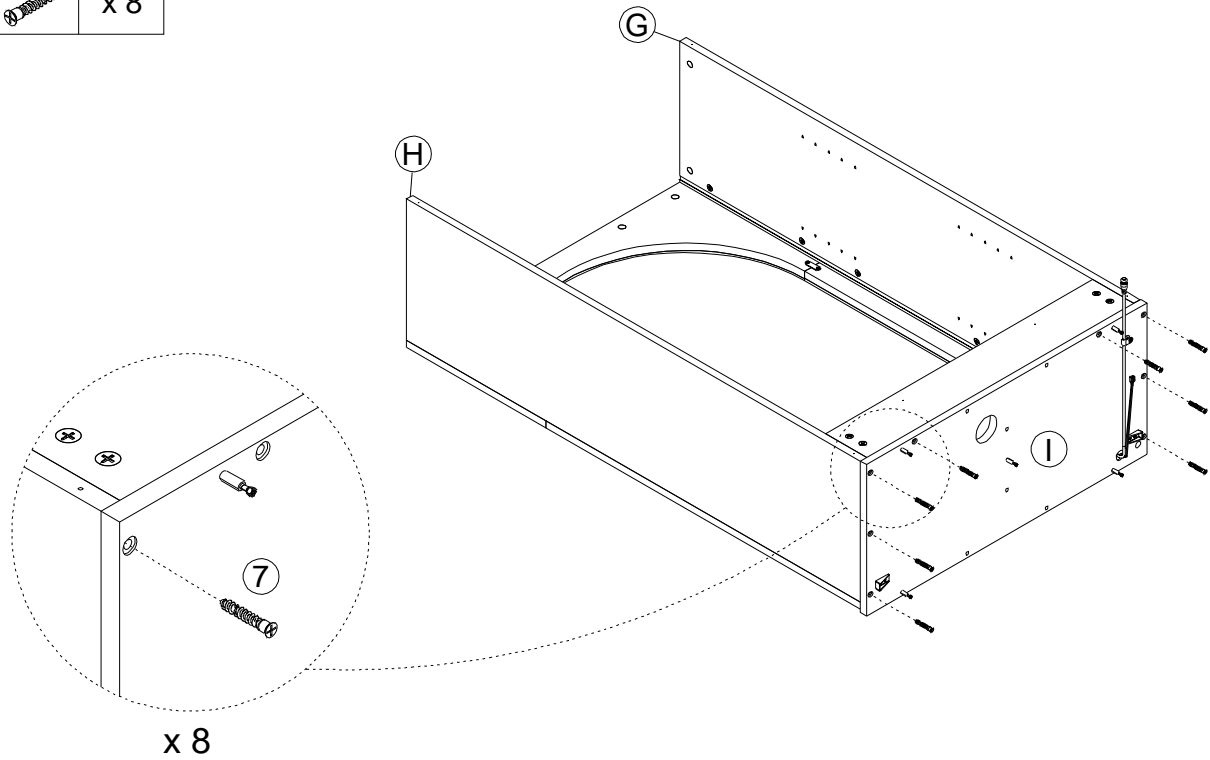
12		x 8
----	---	-----



Insert the middle shelf panel (I) into the wood dowels (12) and connect the upper left side panel (G) and upper right side panel (H).

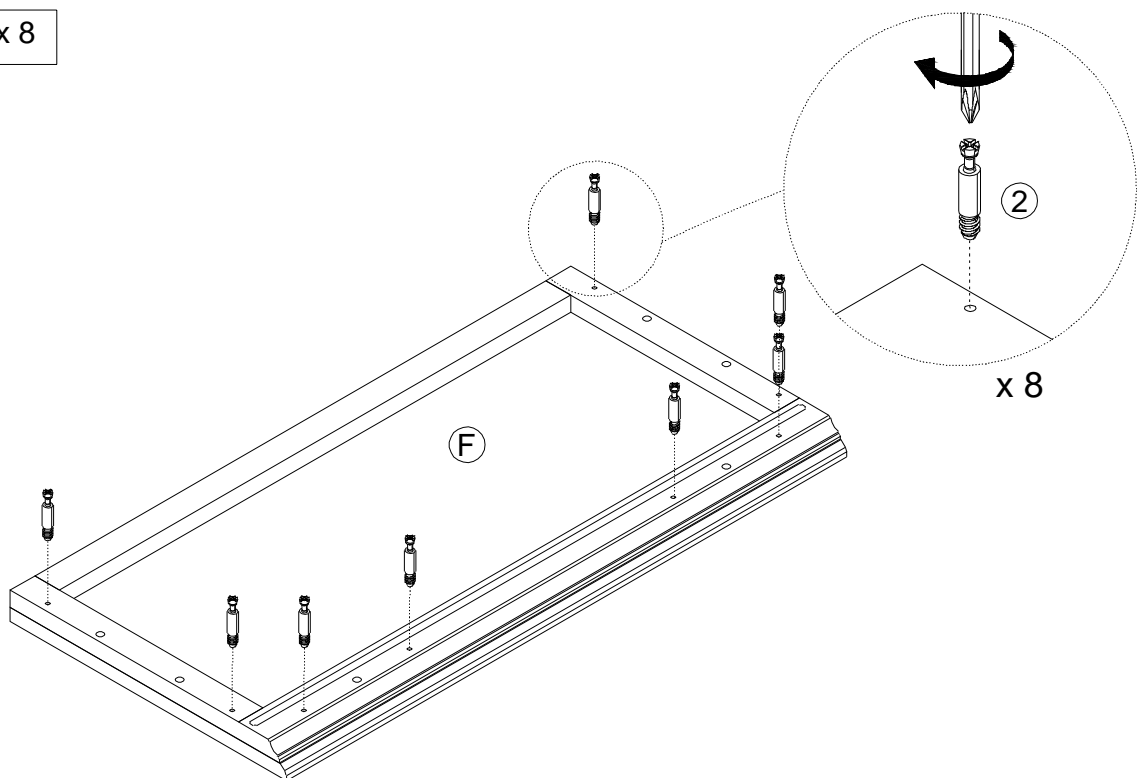


## STEP 19



Use screws (7) through the middle shelf panel and tighten with a screwdriver.

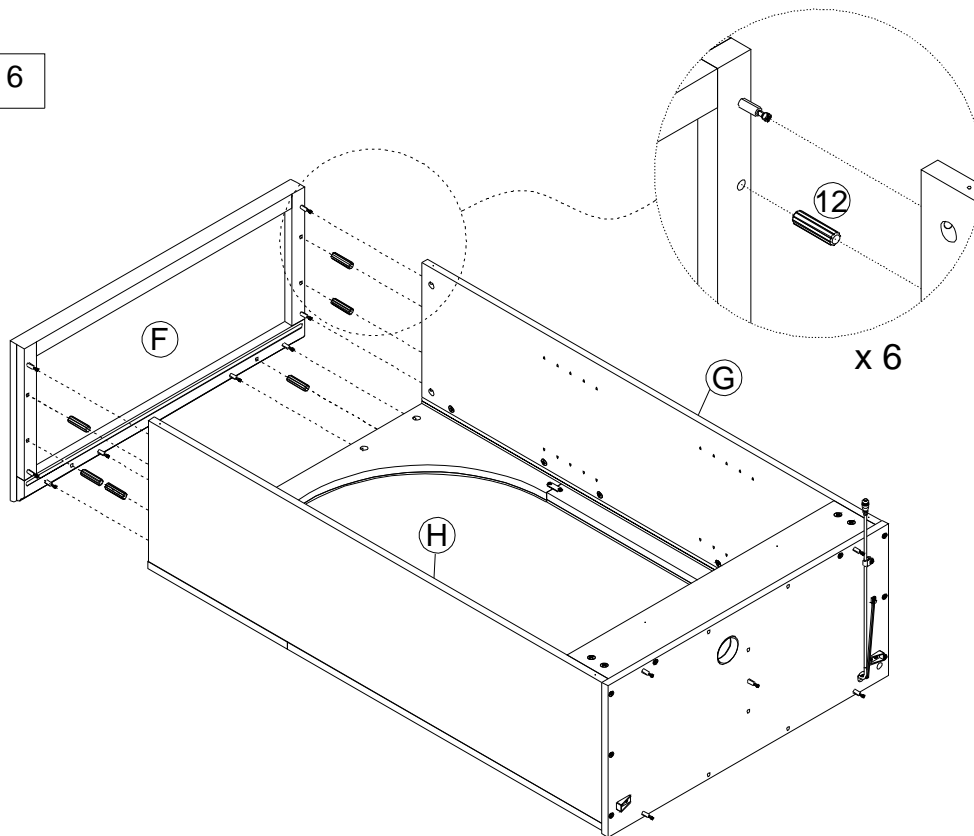
## STEP 20



Insert cam bolts(2) into the top panel (F) and tighten with a screwdriver.

## STEP 21

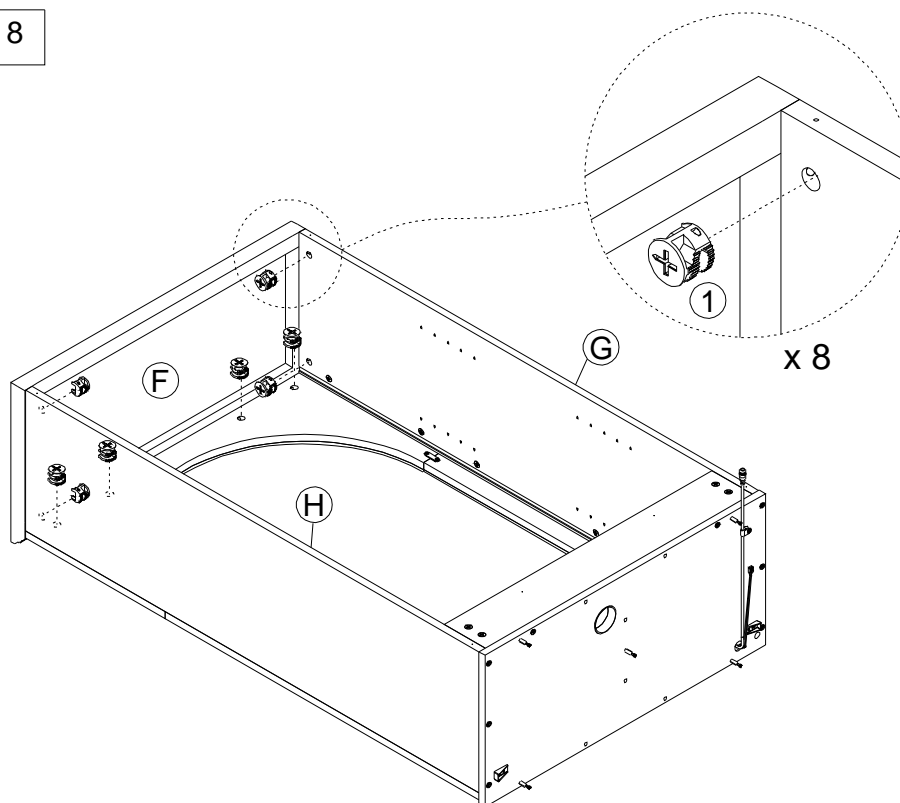
12		x 6
----	---	-----



Connect top panel (F) with upper left side panel (G) and upper right side panel (H) using wood dowels (12).




## STEP 22

1		x 8
---	---	-----

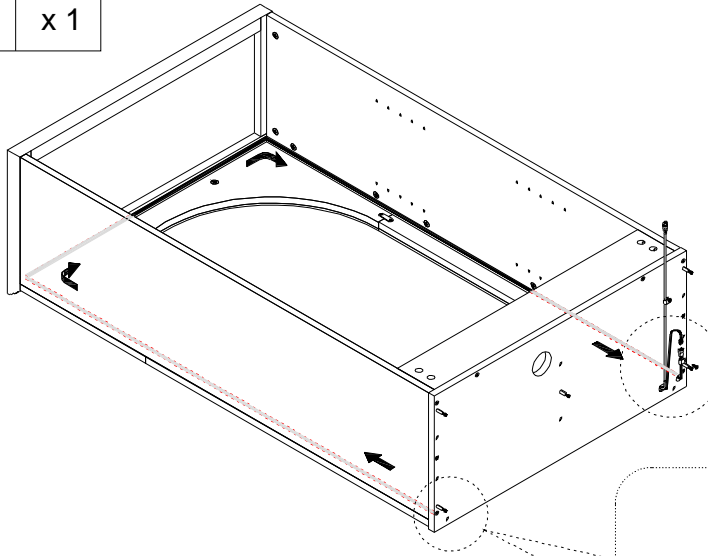


Insert cam locks (1) and tighten them with a screwdriver.

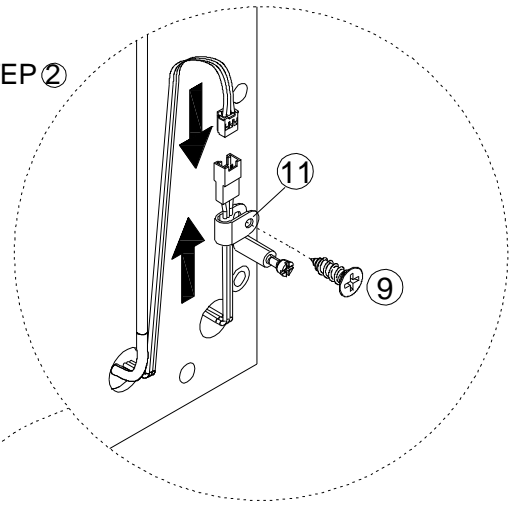
### STEP 23

25		x 1
9		x 1
11		x 1

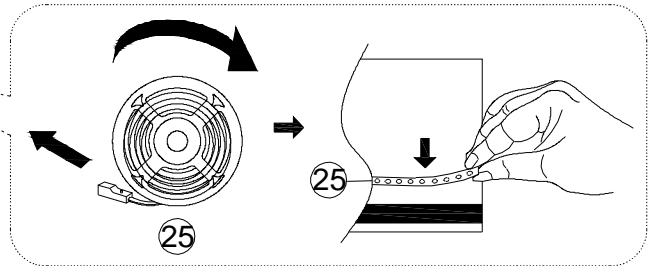
Flat Head Screw  
Ø3.5x12mm



#### STEP 2




#### STEP 1

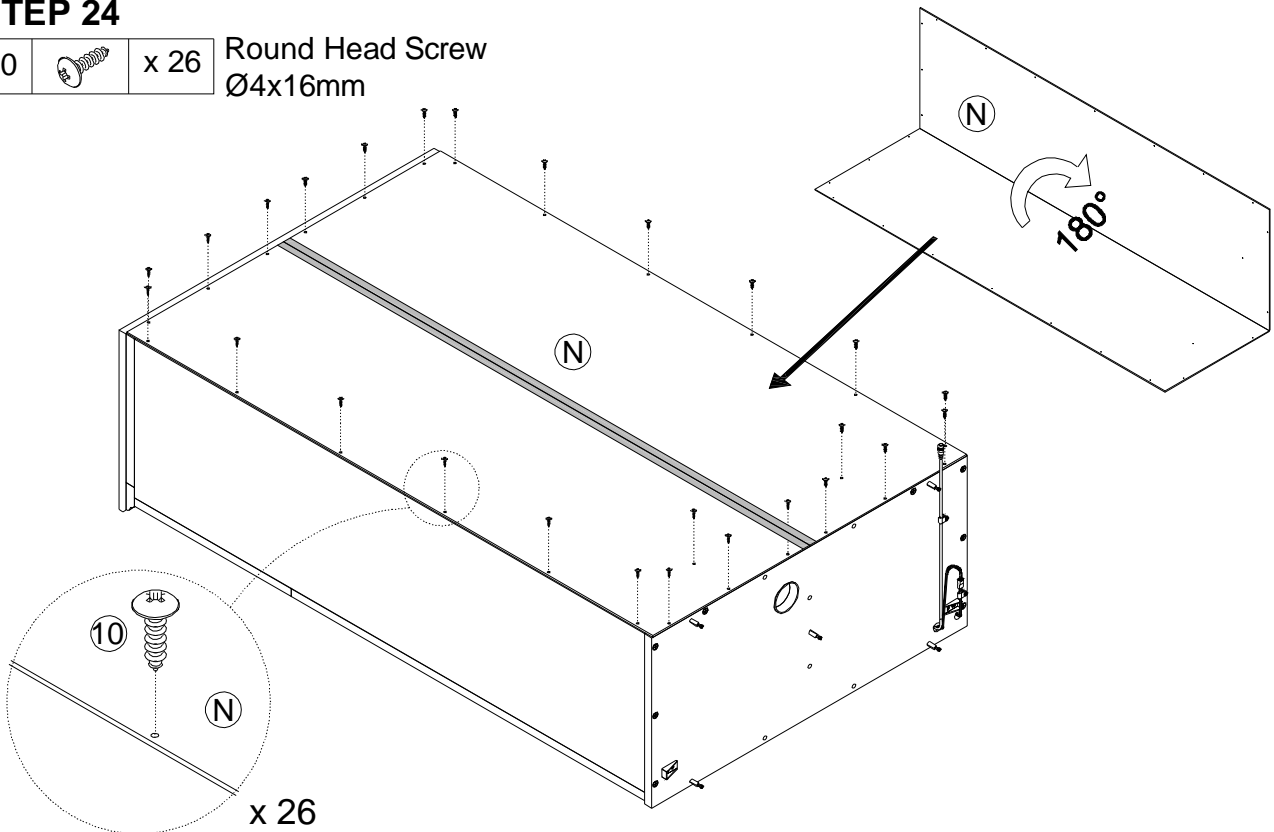


1. Install LED strip (25) onto panel as shown.
2. Connect the plug, organize excess wires using cable clip (11), and secure with flat head screws (9).

### STEP 24


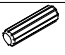

10		x 26
----	---	------

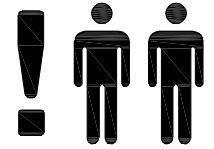
Round Head Screw  
Ø4x16mm



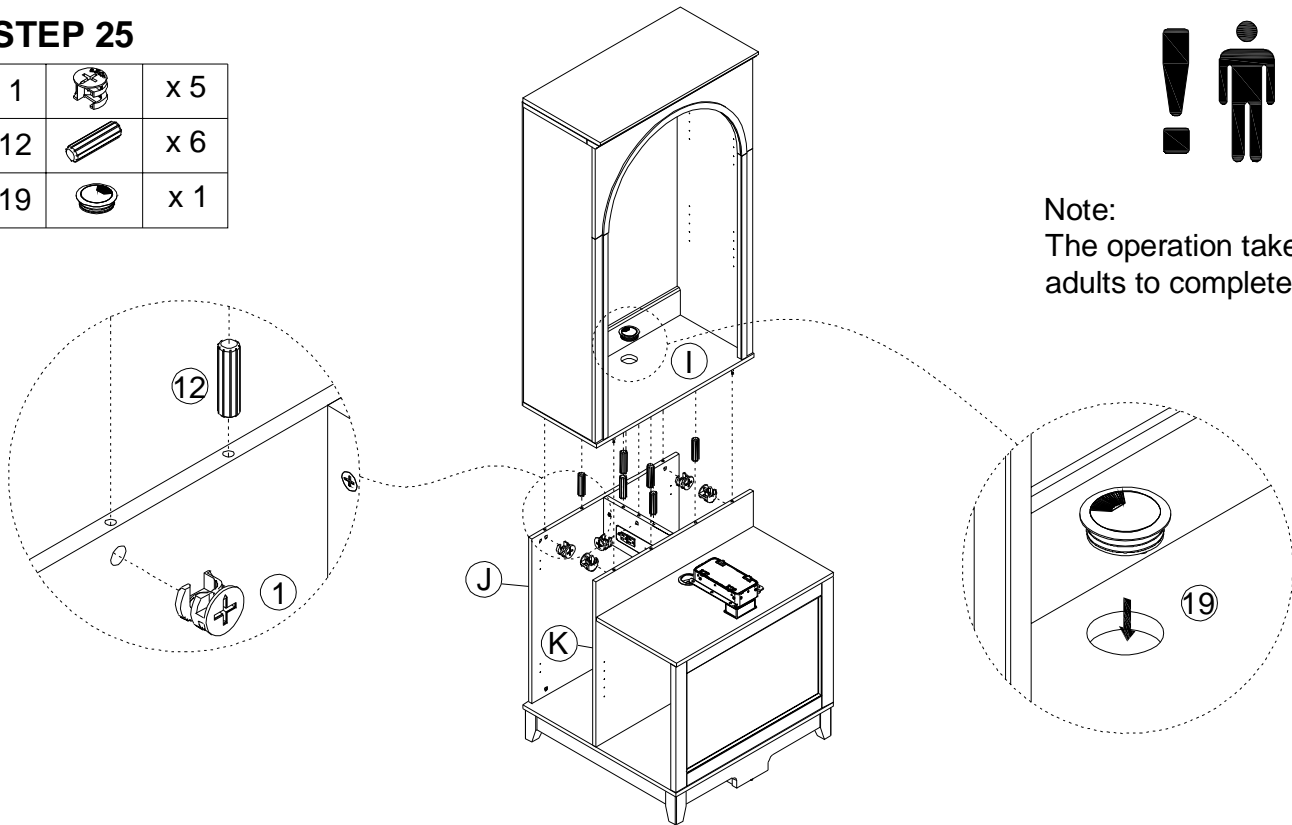
Open back panel (N) place it as shown, and tighten it with round head screws (10).

## STEP 25

1		x 5
12		x 6
19		x 1





Note:  
The operation takes two adults to complete.

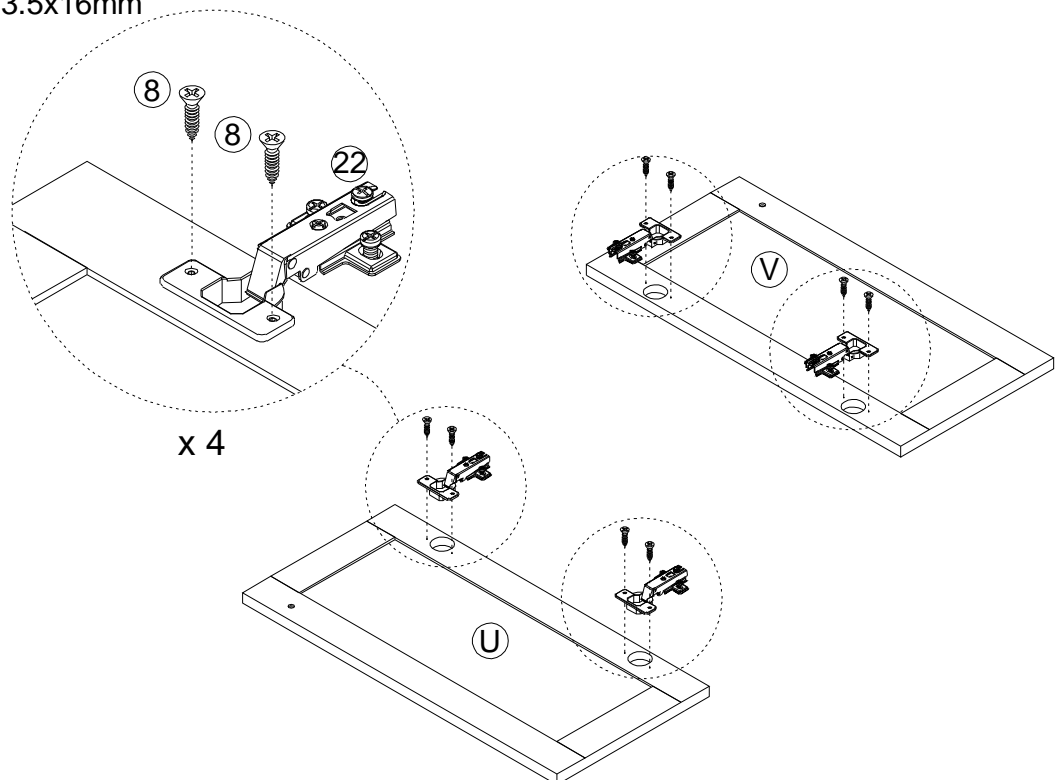


1. Insert wood dowel (12) into left side panel (J) and middle vertical panel (K) and connect.
2. Insert cam lock (1) and tighten, then insert the wire cover (19).

## STEP 26



8		x 8
22		x 4

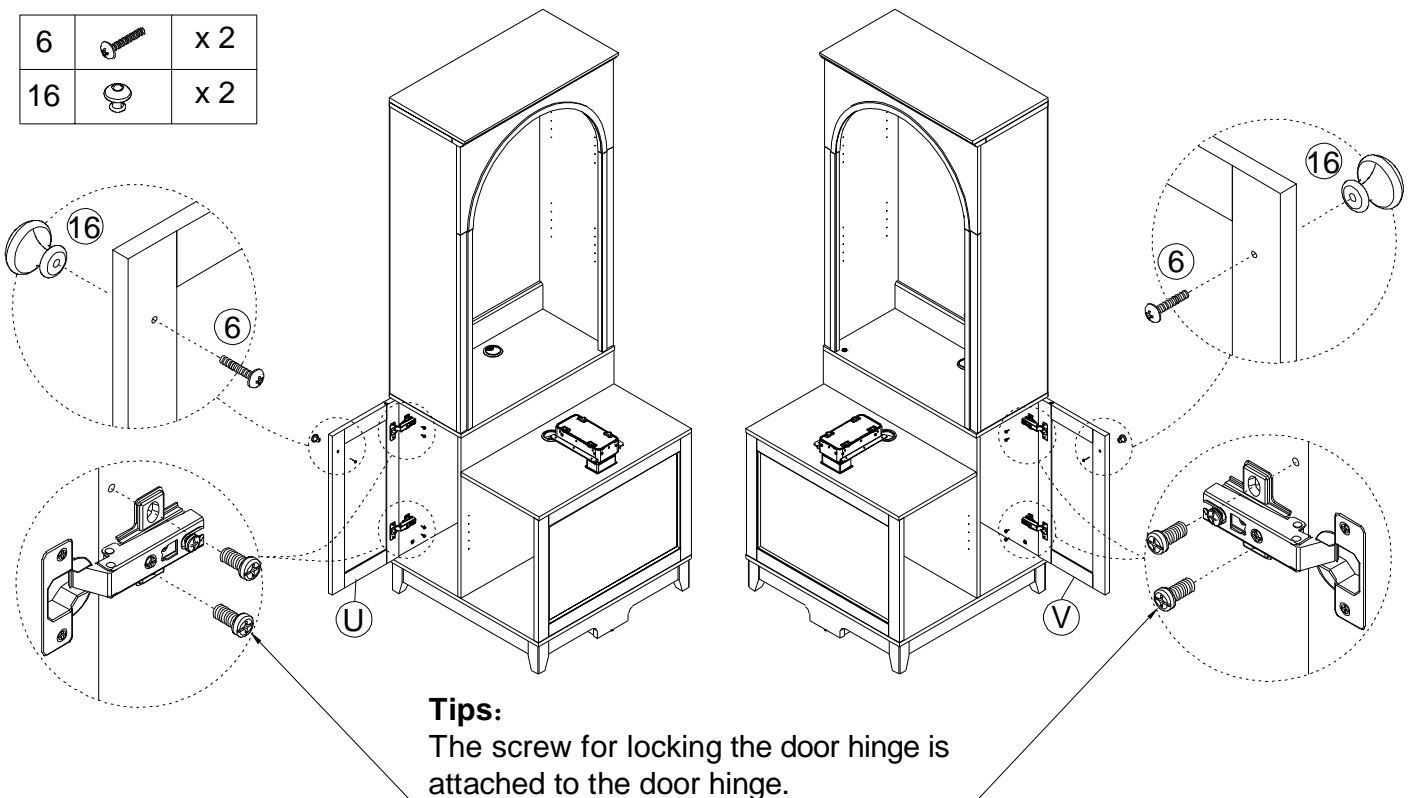
Flat Head Screw  
Ø3.5x16mm



Install door hinges (22) onto door panel (U) and (V) using flat head screws (8) tighten with a screwdriver.



## STEP 27

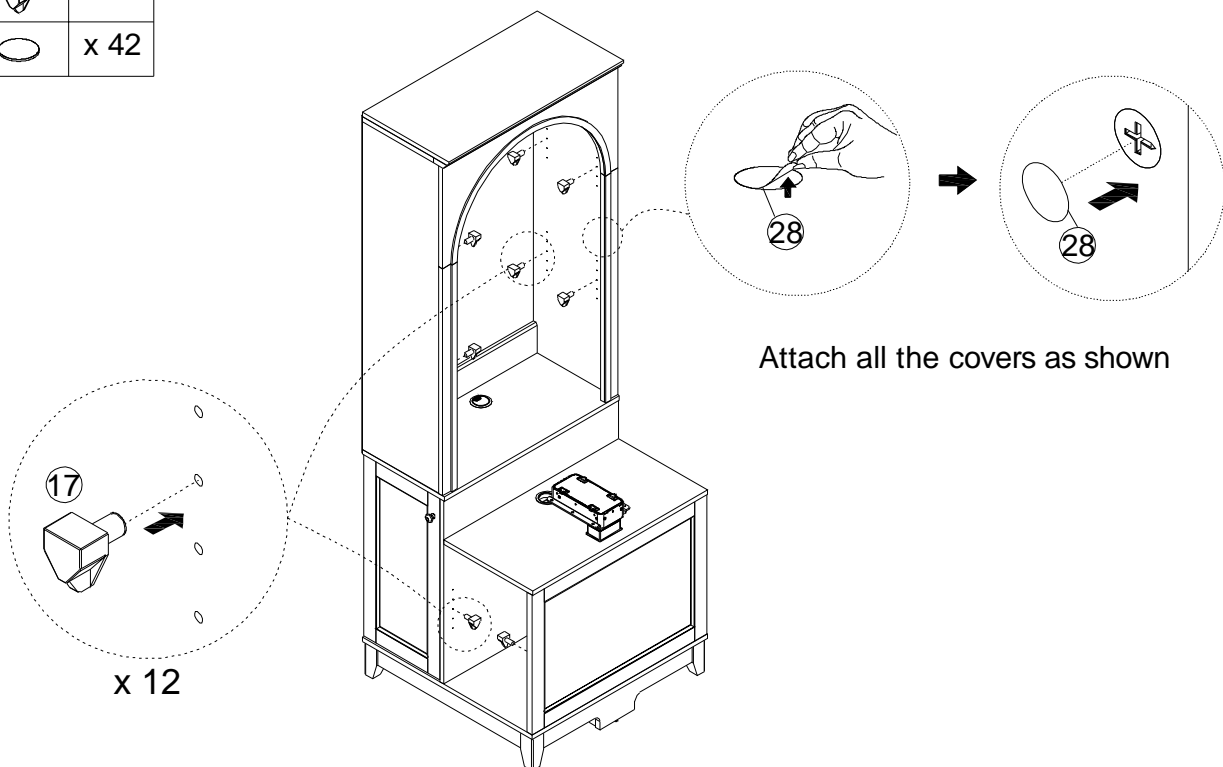
6		x 2
16		x 2



1. Install the door panel (U) and (V) onto the cabinet as shown in the picture and tighten the screws with a screwdriver
2. Install the handle (16) on door panel (U) and (V) and tighten them with the screw (6).


## STEP 28

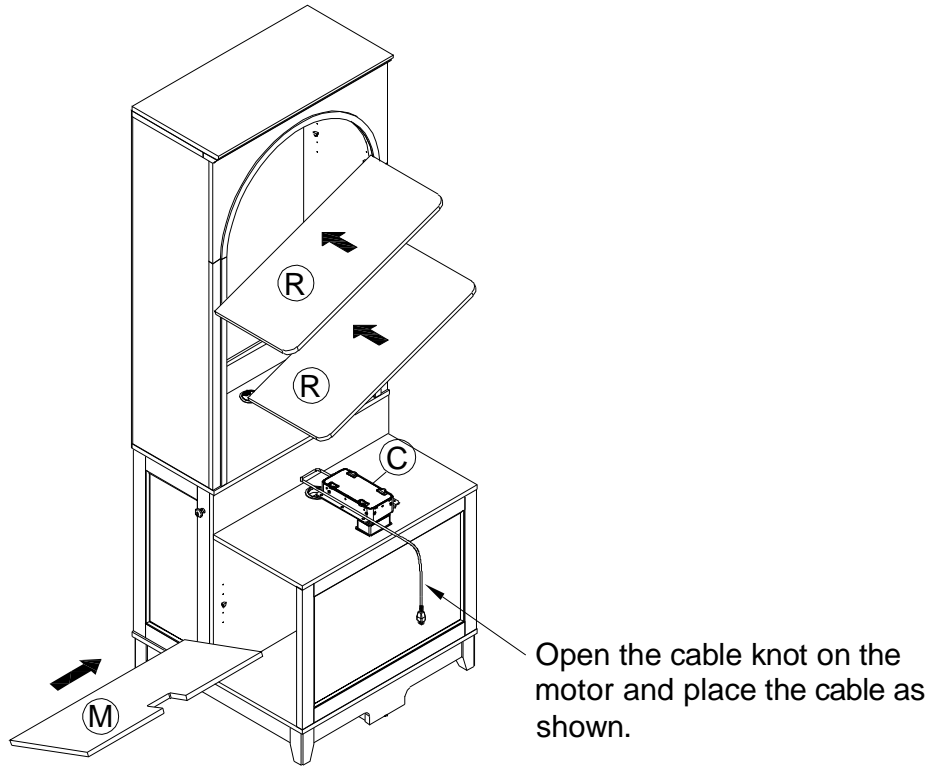
17		x 12
28		x 42



Insert the shelf support (17) into cabinet as shown. Use cover the hole with the provided sticker cover to enhance the appearance of the product.



## STEP 29

10		x 2
----	---	-----

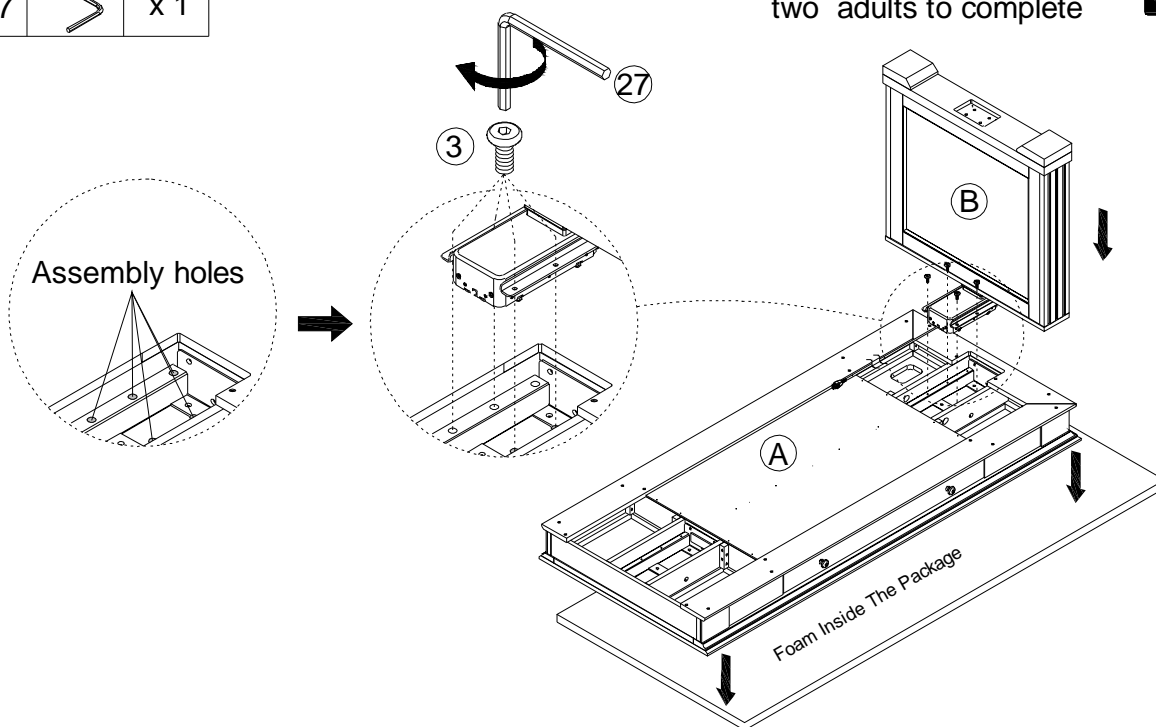
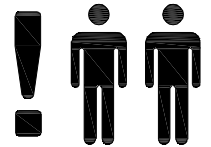


Insert the upper adjustable shelf (R) and lower adjustable shelf (M) at the suitable angle.

## STEP 30

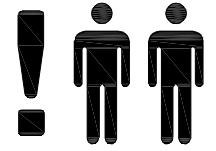
3		x 4
27		x 1

Note:  
The operation requires  
two adults to complete

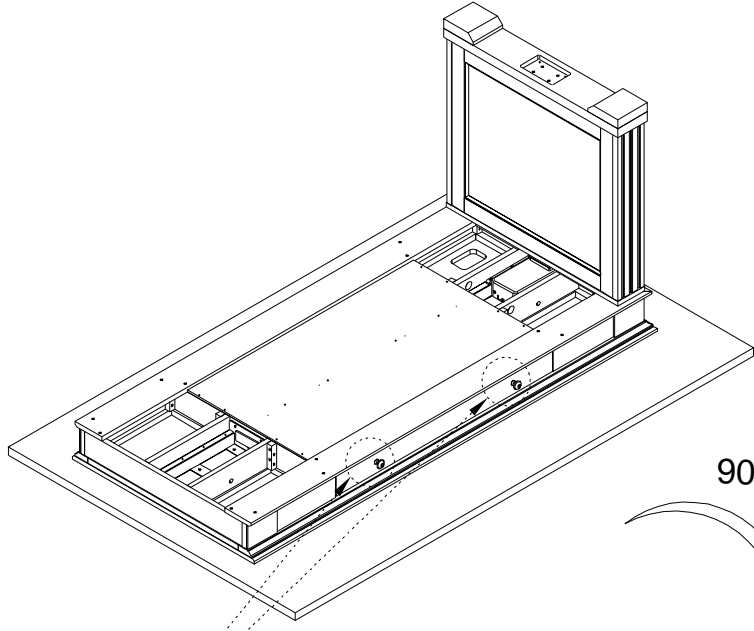


1. Remove the foam from the packing case and place the desk top (A) on top of the foam as shown.
2. Place the right leg onto the iron frame of the panel, align it with the assembled hole, and secure it with bolts (3) using a wrench (27).

# STEP 31



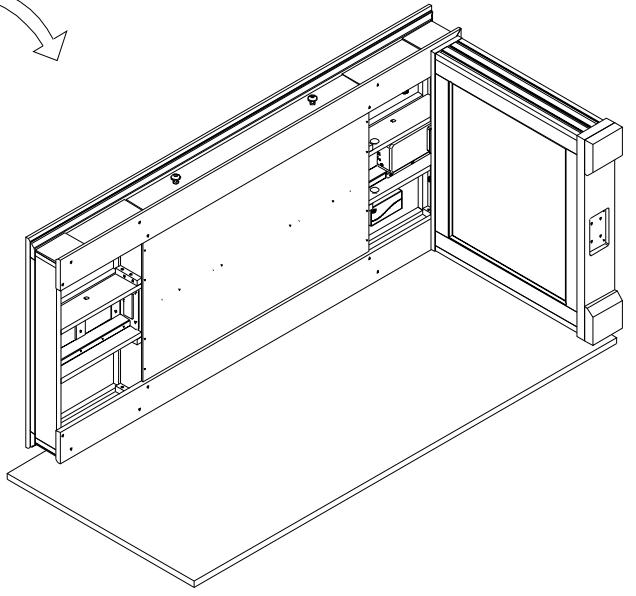
Note:  
The operation requires  
two adults to complete



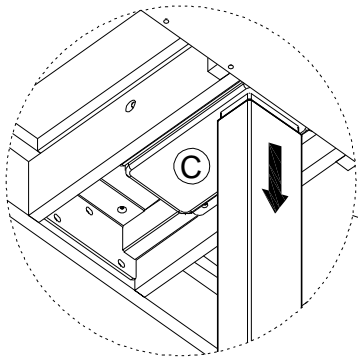
90°



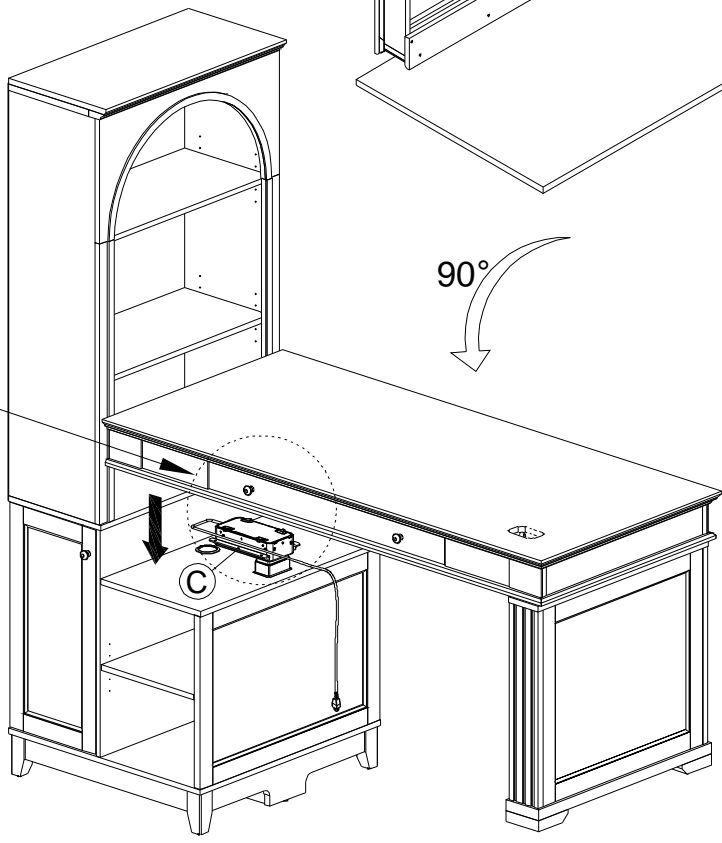
Note:  
Watch the middle drawer  
slide out when you flip.



90°



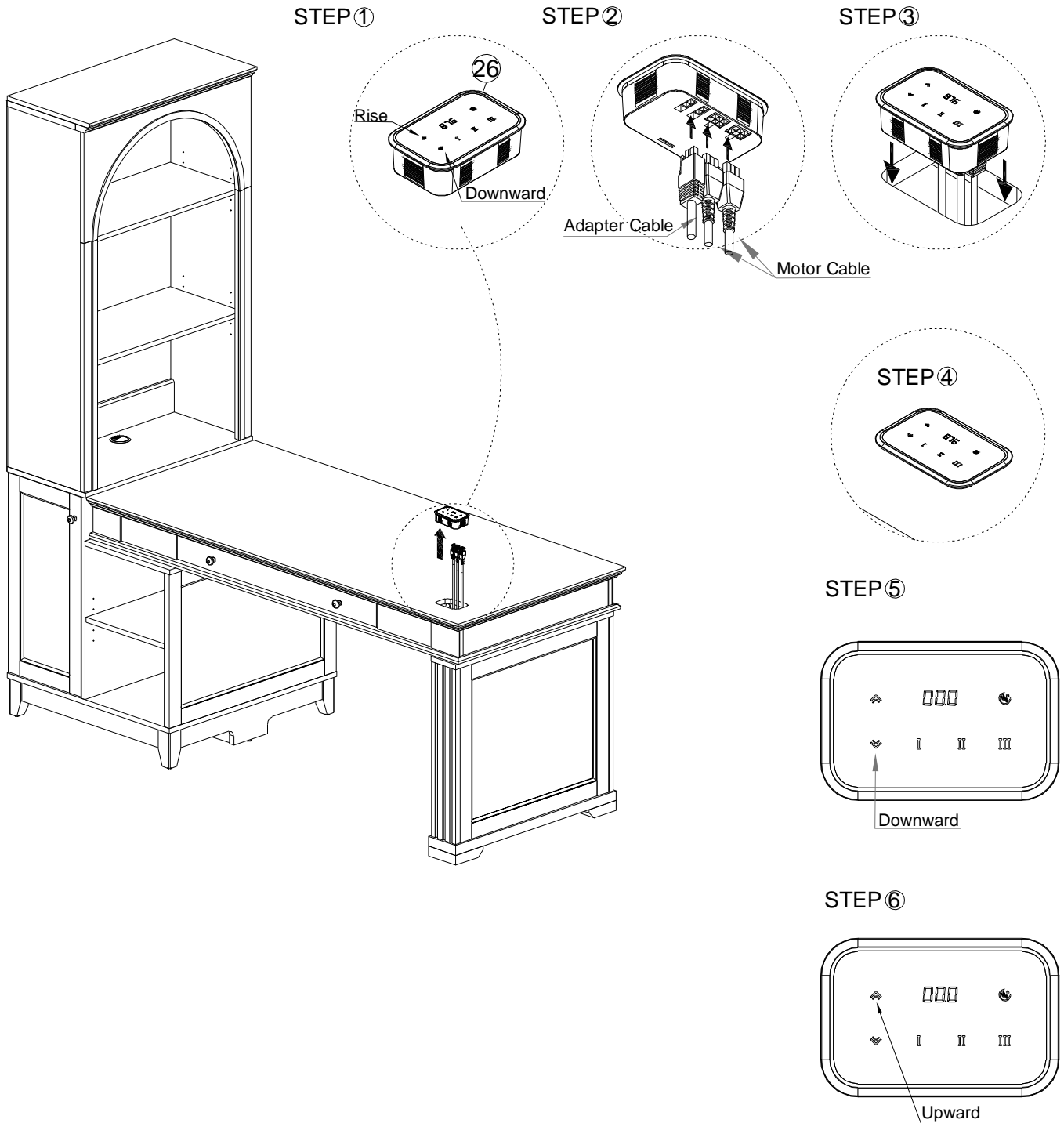
Bottom View



1. Turn the assembled feet and the panel in order, and pay attention to the drawer slide out while turning.
2. The hole of the motor leg (C) is aligned with the hole on the face frame.

## STEP 32

26  x 1



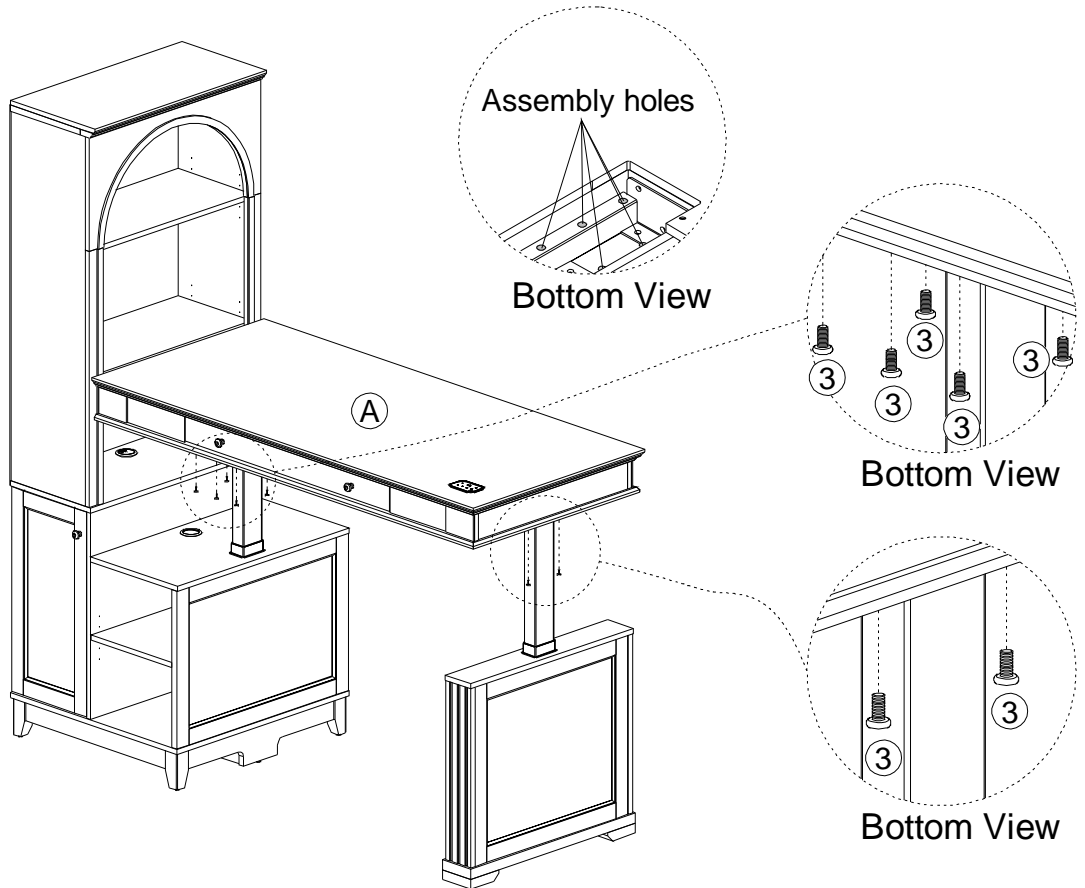
\*\*\*Note: Perform a factory reset during the first power-on (refer to the reset procedure in the manual of 29 page).

- 1.Connect the motor cable and the power adapter to the control box.
- 2.Power on after connecting the power supply.
- 3.Press and hold the "up" button to raise the desktop to the appropriate height so that there is enough space at the bottom of the STEP33 desktop to install the bolts.





### STEP 33

3		x 8
---	---	-----

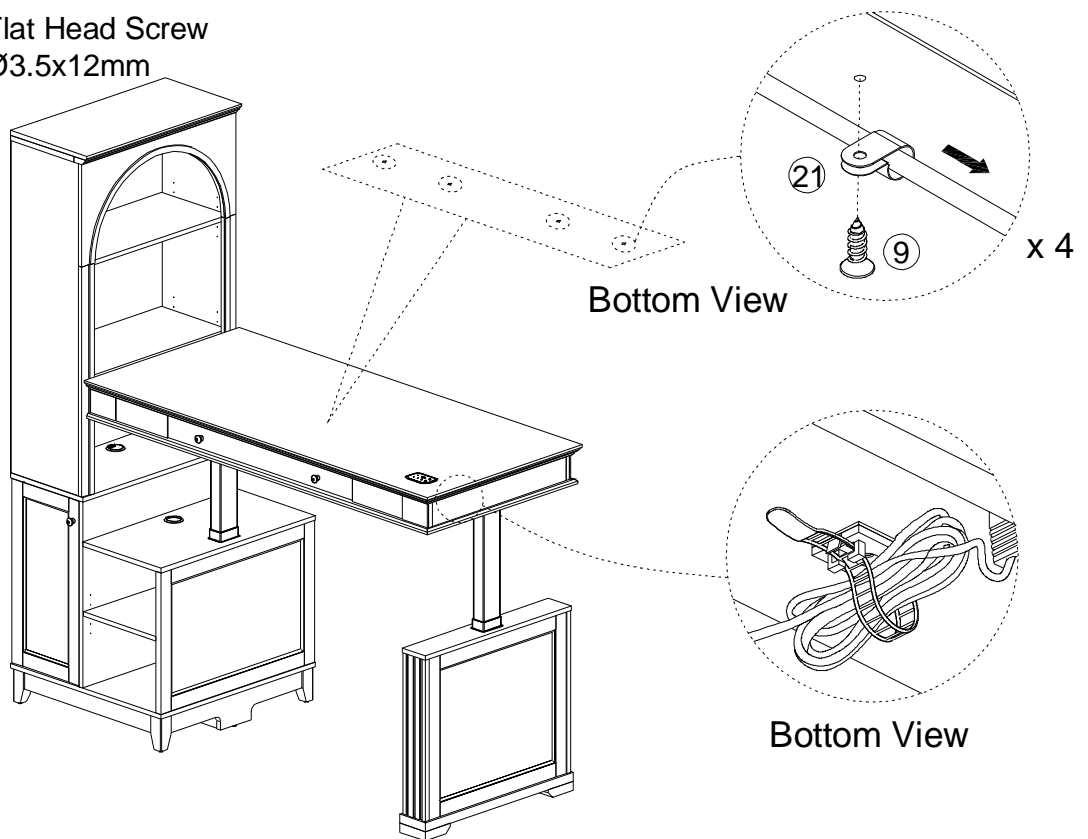


Align the holes of the motor legs with the hole in the top panel (A) and secure them with bolts (3) using a wrench (27).

### STEP 34

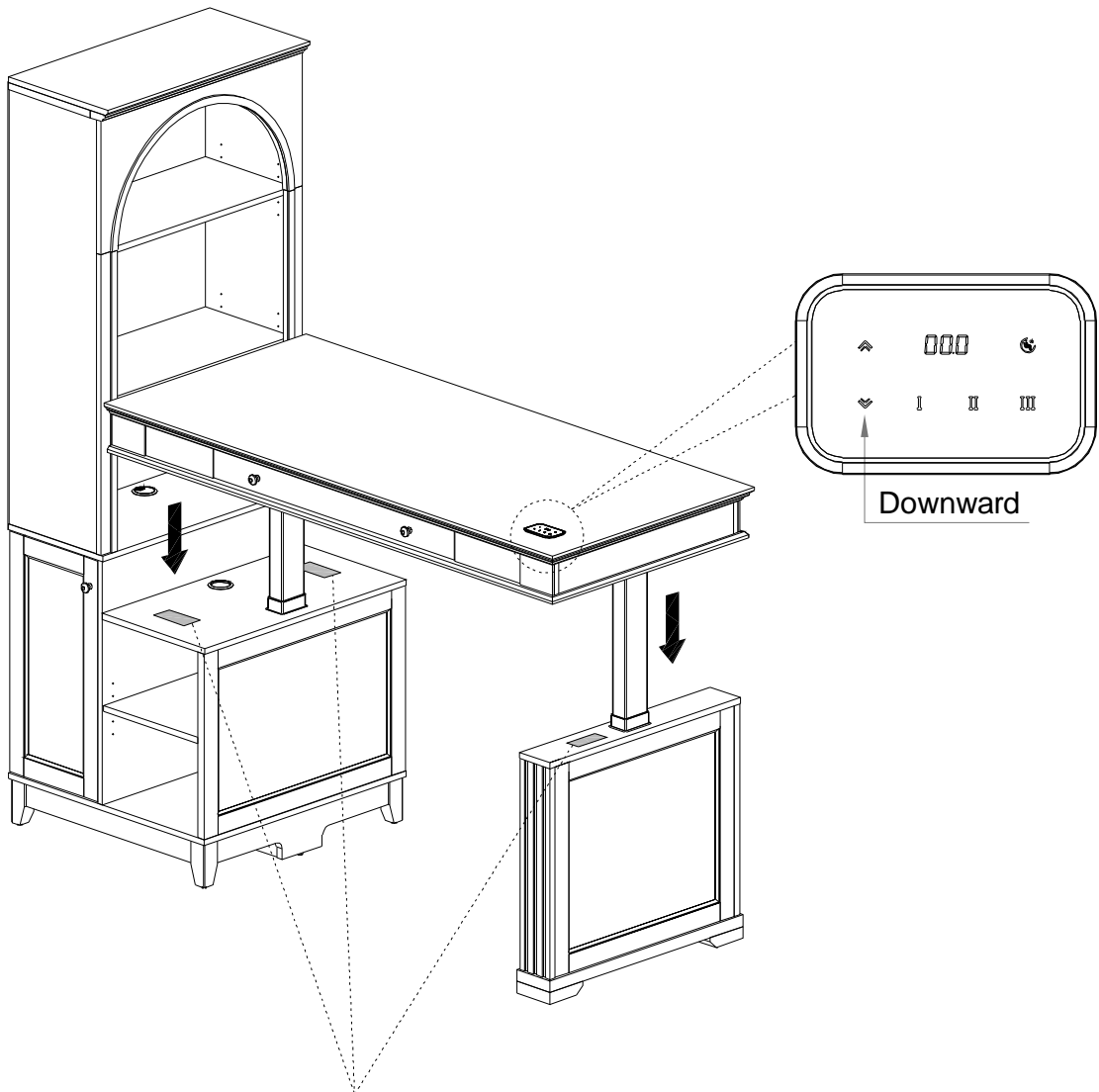
9		x 4
21		x 4

Flat Head Screw  
Ø3.5x12mm



Insert the power cord through the cable clip and secure it to the back of the table using screw 9. Excess lines can be stored in the space shown.

## STEP 35



### WARNING:

Do not place hands or objects on top to prevent injury or danger !



### CAUTION:

The sound you hear when activating the lifting function is normal and is caused by the high speed of the motor.

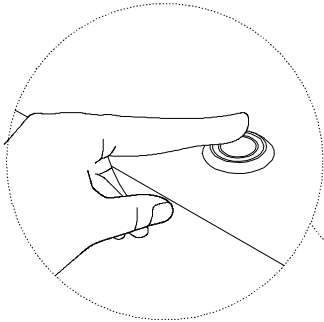


### WARNING:

- 1.The load of the lifting table must be less than 100 LBS!
- 2.When raising or lowering the tabletop, ensure that the tabletop remains stationary and does not move!

## STEP 36

24  x 1



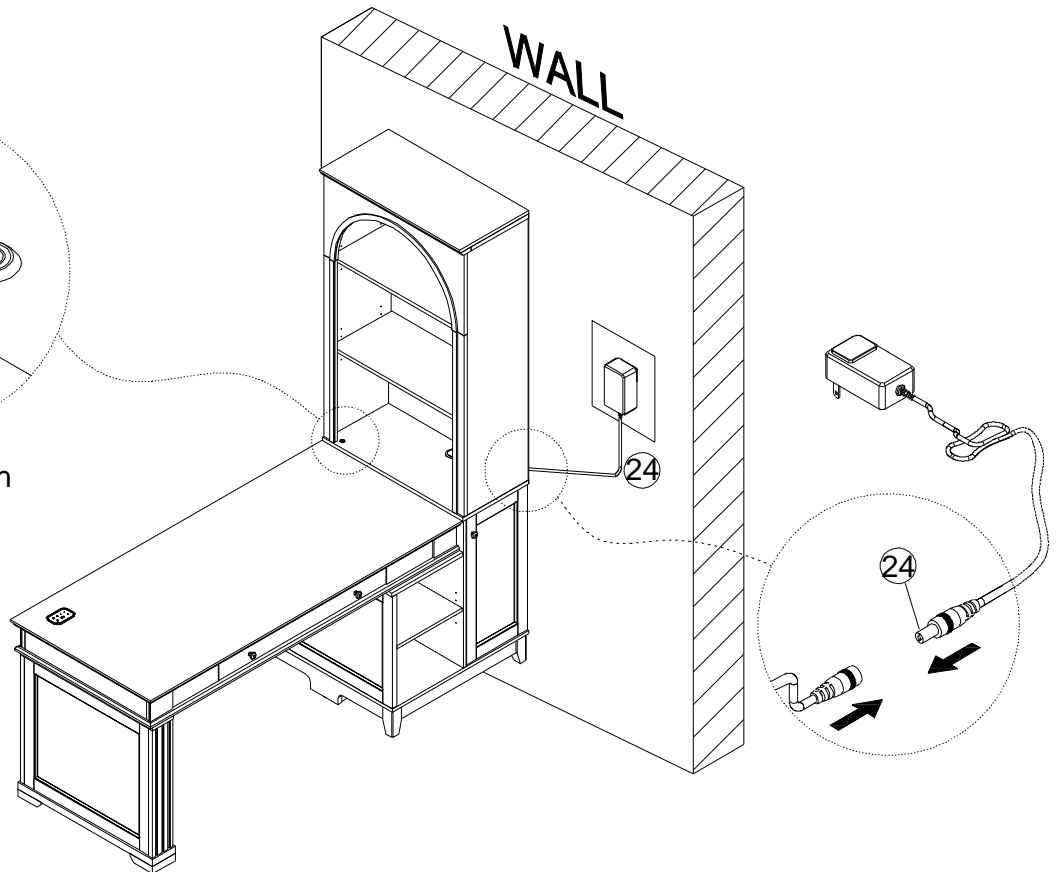
LED Touch Switch

Warm light

↓  
Neutral light

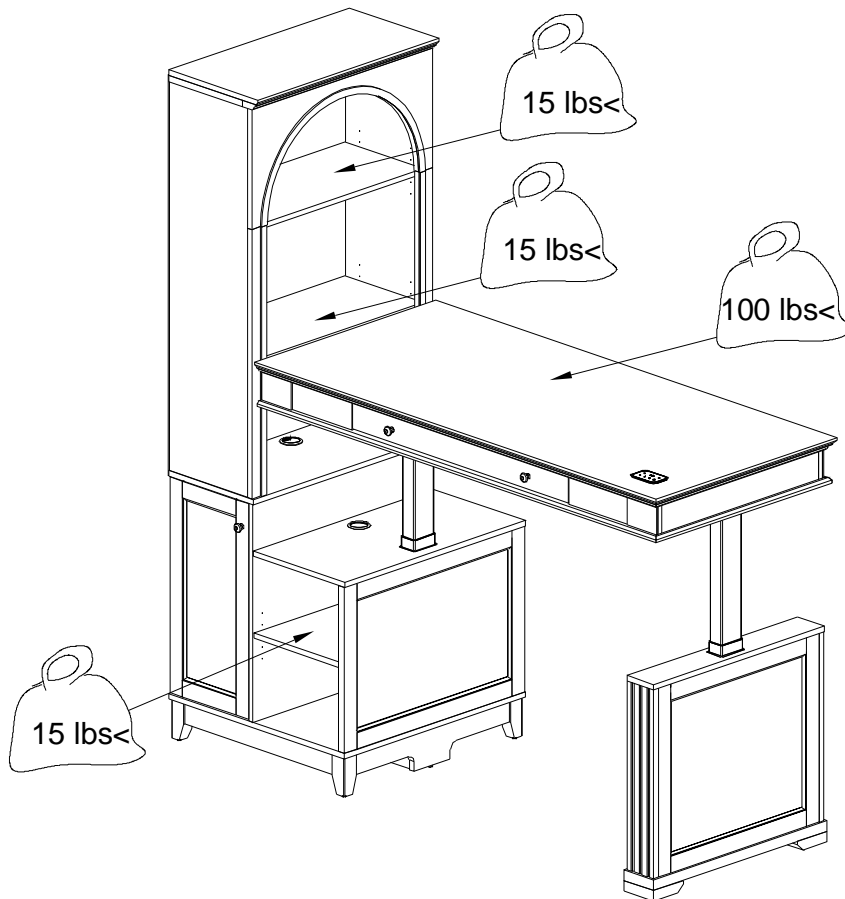
↓  
White light

↓  
OFF



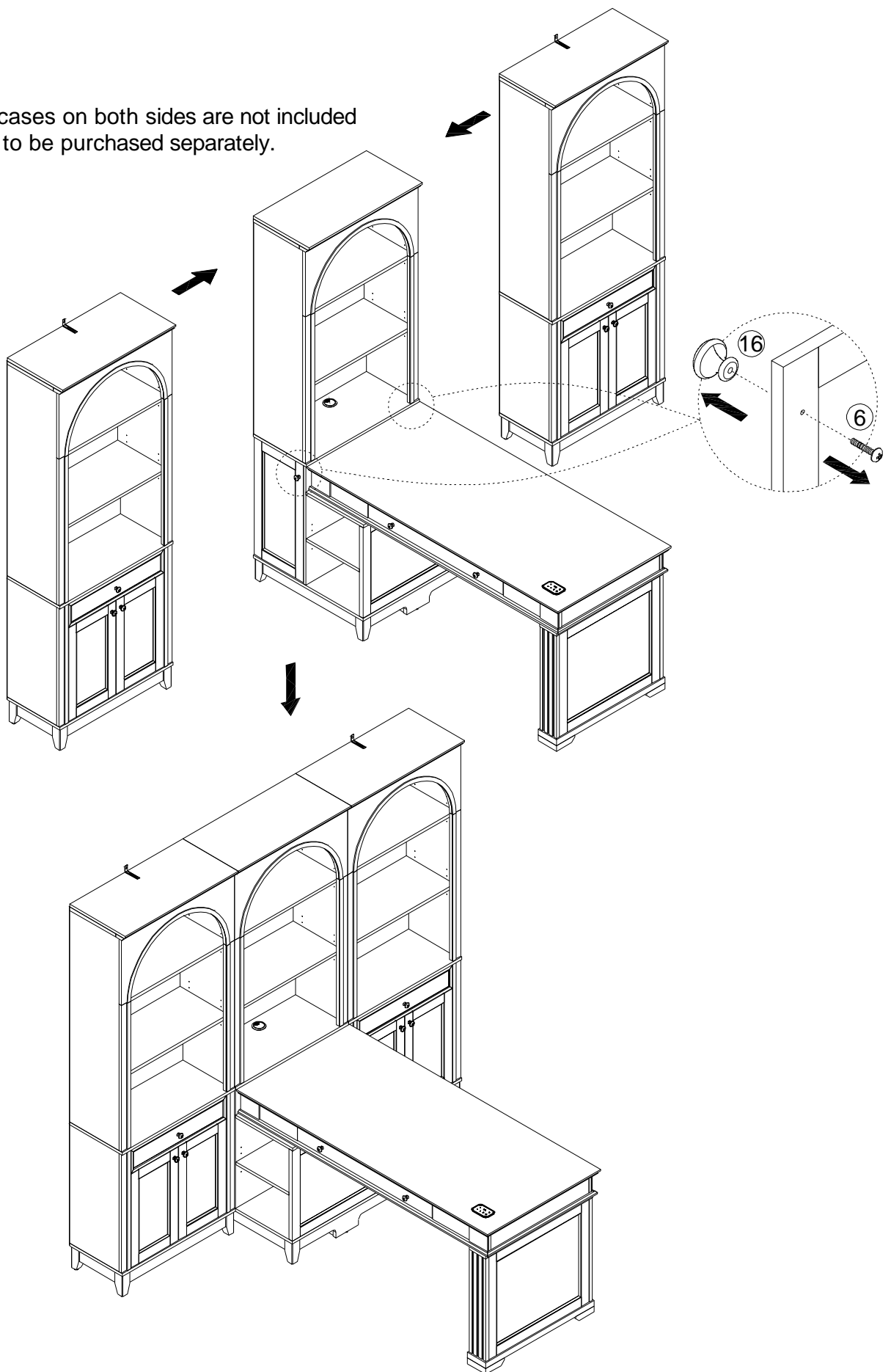
1. Connect the power adapter (24) and plug it into the socket to turn on the power, as shown in the figure.
2. Touch the LED switch button to change the color of the light, as shown on the left.

## STEP 37






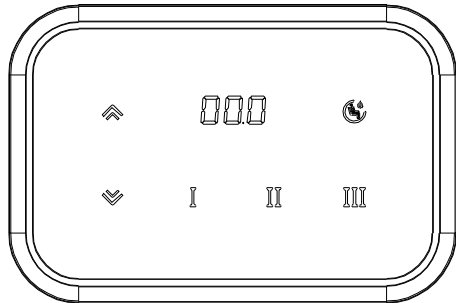
## Option

The bookcases on both sides are not included and need to be purchased separately.



When placing bookcase on both sides, the handles need to be removed.


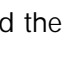

button	I	II	III			
Initial value	31.5In/800mm	37.5In/950mm	43.25In/1100mm	Sedentary reminders	Rise	Drop


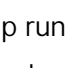



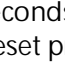


#### 1. First power-on:

According to the controller nameplate will be connected to the power supply, the buzzer will "di, di" two sounds, and then display the current height. If the height displayed by the manual controller does not match the actual height of the lifting leg or the height of the lifting leg has changed after re-disassembly, the reset operation needs to be performed. Otherwise, it can be used directly according to the factory default.


#### 2. Reset operation:

When the system moves to the lowest position, release the button and hold down the "" button for 5 seconds. Then the system enters reset mode and RST is displayed on the display screen. During the reset process, you can release the drop "" key at any time and the table will stop running. Press and hold the "" button again to continue the reset.


The reset makes a sound of "di", the reset operation is finished, and the minimum height of the table is displayed. When the minimum limit is set and the system moves to the limit position, hold down the "" button for 5 seconds and do not release it. Then the system enters reset mode and RST is displayed on the display screen. During the reset process, you can release the drop "" key at any time and the table will stop running. Press the "" button again to continue the reset. After the reset is complete, the system drops and displays the minimum height of the table.

When the manual controller is abnormal, Exx is displayed. Hold down the "" button for 5 seconds and do not release it. Then the system enters reset mode and RST is displayed on the display. During the reset process, you can release the "" key at any time and the table will stop running. Press the "" button again to continue the reset. After the reset is complete, "di" sounds to show the minimum height of the table.

#### 3, upward operation:

Press the "" button of the controller to lift the table up, and release the button to stop;

#### 4. Downward operation:

Press the "" button of the controller to lower the lifting table and stop when you release the button;

---

#### 5, memory position operation:

When the lifting leg is stopped, long press any key of "I", "II", "III" for more than 5 seconds, then the height position of the current lifting leg is saved to the corresponding key. The manual can remember a total of 3 height positions, and it is repeatable and can be saved after power failure. After the memory position is completed, directly press any of the keys in "I", "II", "III", and the table will display the height of the memory bit for 1 second. At the same time, it will automatically run to the recorded position of the corresponding key. In the process of lifting the table back to the memory position, press any key to stop the operation.

#### 6, sedentary reminder operation:

Long press the "🐾" button of the manual controller for more than 3 seconds, then the display screen flashes and displays the current default display of 60 minutes. At this time, you can press the "Δ" and "▽" keys to switch the sitting time (45 minutes, 60 minutes, 90 minutes, 120 minutes). After the setting of the time, directly press the "🐾" button to randomly start the sedentary reminder. Manual control all key lights begin to flash in the form of color running horse lights, the buzzer emits a "di, di" prompt sound, at this time the user presses any of the keys in "I", "II", "III", the table will rise to the memory bit set by the corresponding "I", "II", "III" keys, if the user does not want to stand up and work, you can press the "🐾" key to turn off the sedentary reminder function.

#### 7. Energy saving mode:

If no operation is performed on the key within 30 seconds, the energy saving mode is entered. The manual display is turned off and the controller enters the low power consumption mode. Press any key to exit the energy saving mode. In energy saving mode, the key motion command does not take effect.

#### 8. Thermal protection:

In order to better protect the motor, the system will run 5 meters in 18 minutes, and the system will enter the thermal protection mode. The thermal protection needs to be detected in the shutdown state, and the display screen will display HOT. At this time, other functions of the manual controller will be turned off and the key cannot be used.

After 18 minutes, the hand controller will automatically exit the thermal protection mode, or exit the thermal protection mode after power failure and restart.

#### 9. child safety lock:

Hold down, press "⏏"、"⏏" and press "I" for 5 seconds. If LOC is displayed on the manual controller, the system is locked and cannot be lifted or lifted.

In the locked state, hold down, press "⏏"、"⏏" and press "I" for 5 seconds. When the display of the manual controller changes from LOC to a normal digit display, the system is unlocked.

10, menu option operation:

In user mode and in the shutdown state, press the "⏏" key and "⏏" at the same time for 5 seconds to enter the menu page. Press the "⏏" and "⏏" keys to switch

Menu, switching sequence as shown below:

P00 → P01 → P02 → P04 → P05 → P06

On the menu screen: Press "I" to access the Settings page. To modify the parameters under the corresponding menu, press "⏏" and press "⏏".

On the Settings screen, the parameter blinks. Press "I" to confirm the setting.

If no operation is timed out for 5 seconds, the system automatically exits the menu mode and sets and saves the modified parameters.

menu	menu display	set display	default	remark
Display Unit	P00	0/1	0	0:metric unit (cm) 1: English unit (inch)
Minimum height limit	P01	Bottom~ (Top-10)	Top (minimum altitude)	Gradient Spread:Bottom~ (Top-10) cm, step length is 1cm At the same time, the setting value should be at least 10cm smaller than the maximum limit height value
Maximum limit height	P02	(Bottom+10)~ Top	Top (maximum height)	The value ranges from (Bottom+10) to Top cm. step length is 1cm At the same time, the setting value should be at least 10cm larger than the minimum limit height value
Base Height	P03	0~60	0	reserved
Ascent resistance sensitivity	P04	0~10	5	Ascent protection against obstacles: 0: disables. 1 ~ 10: The larger the number, the lower the sensitivity
Descent resistance sensitivity	P05	0~10	5	Drop protection against obstacles: 0: disables. 1 ~ 10: The larger the number, the lower the sensitivity
Buzzer control switch	P06	0/1	1	0:Turn off the buzzer (do not turn off the abnormal alarm tone) 1: Turn on the buzzer



This product cannot be disposed of as household waste. To prevent damage to the environment, this product should be recycled. Please use the relevant recycling systems available to you or contact the distributor or manufacturer for recycling assistance.

# Trouble removal

When there is a fault, “didi” 2 sound to remind the user that the machine is in a fault state and cannot be used. After the fault is completely cleared, “didi” 2 sounds reminds the user to use it often.

Failure code	Instructions	solution
E01	Motor 1 disconnected	After checking that the line is OK, hold down the down button for 5S and then reset or restart with power off
E02	Motor 2 disconnected	After checking that the line is OK, hold down the down button for 5S and then reset or restart with power off
E03	Motor 1 overcurrent	After checking that the line is OK, hold down the down button for 5S and then reset or restart with power off
E04	Motor 2 overcurrent	After checking that the line is OK, hold down the down button for 5S and then reset or restart with power off
E05	Motor 1 Hall wire is not plugged in	After the detection line is OK, recheck the Hall interface
E06	Motor 2 Hall wire is not plugged in	After the detection line is OK, recheck the Hall interface
E07	Reserved	
E08	meet resistance	In case of abnormal resistance, check whether there is an obstacle. If the sensitivity is not appropriate, please adjust the sensitivity by referring to the menu section.
E09	The position deviation between the two sides is large	After checking that the line is OK, hold down the down button for 5S and then reset or restart with power off
E10	high voltage	Check whether the power supply is correct. If no problem is found, hold down the down button for 5S seconds and then reset or restart with power off
E11	low voltage	Check whether the power supply is correct. If no problem is found, hold down the down button for 5S seconds and then reset or restart with power off
E12	Motor 1 Hall break	Check whether the power supply is correct. If no problem is found, hold down the down button for 5S seconds and then reset or restart with power off
E13	Motor 2 Hall break	Check whether the power supply is correct. If no problem is found, hold down the down button for 5S seconds and then reset or restart with power off
E14	overload protection	Check whether the power supply is correct. If no problem is found, hold down the down button for 5S seconds and then reset or restart with power off



## MAINTAINANCE AND WARNING

- Keep furniture away from heat.
- Do not clean furniture with harsh cleansers or polish. Do not use detergents, Solvents, abrasives, spray packs or leather cleaner. Use non-color mild soap with warm water clean spills(Mix 1:10 soap to water)
- Do not place furniture under direct sunlight, material will possibly fade over time.
- Do not use on site dry Cleaning machine.
- Children should not climb or jump on the furniture.
- Do not write on furniture without a padded barrier to protect the surface.
- Not for commercial use, For residential use only.
- The maximum load is 100 LBS.

## WARRANTY

We strive to offer high- quality products, and we also try our best to satisfy each and every customer that orders from us with product or service as needed. We provide 30 days warranty starting from the time you receive the item. Each customer must provide a record of their order such as the order number, or item receipt for any items that are out of the warranty period you may also still receive replacement parts by purchasing them with our company if they are available.

Are you having difficulty with assembly? Missing parts? Please send email with your order No to [customerservice@hulalahome.com](mailto:customerservice@hulalahome.com)

For return, please check the return policy with the retailer or market place you bought from. Appreciate your purchasing from us. Pop up your life by our furniture piece!