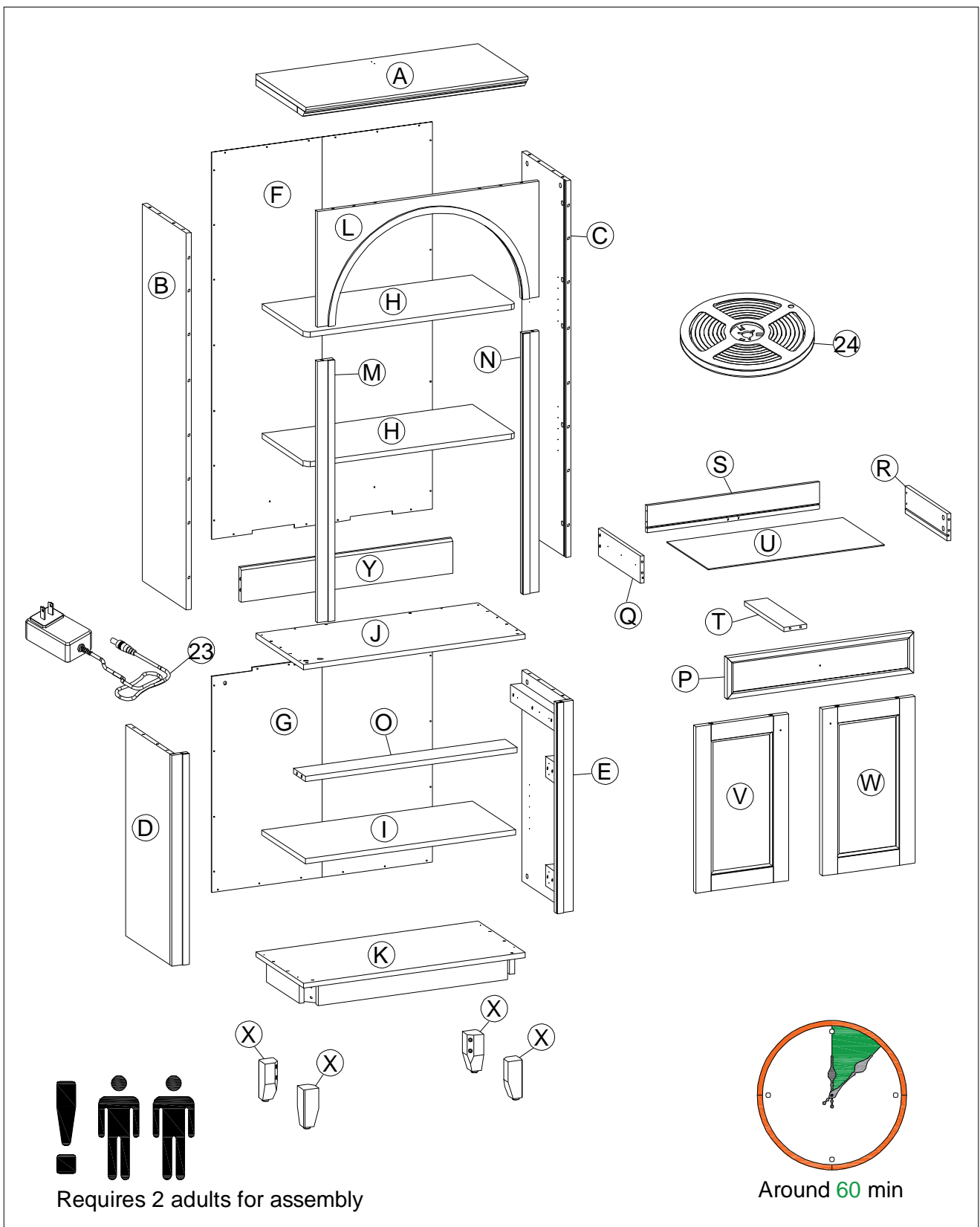


ITEM NO. Z6BCGR0519

Thank you for purchasing the Bookcase.

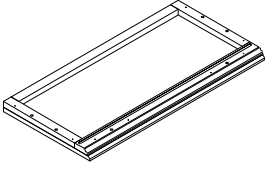
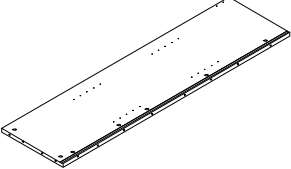
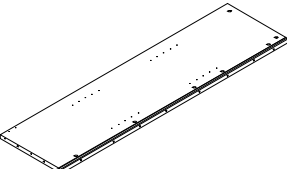
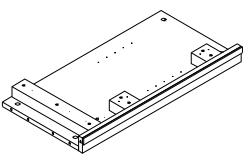
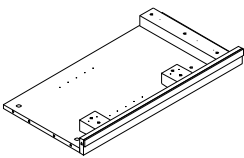
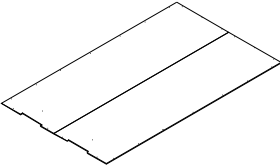
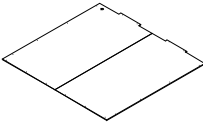
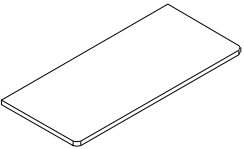
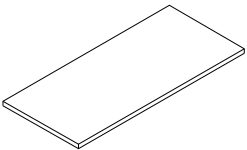
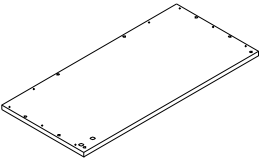
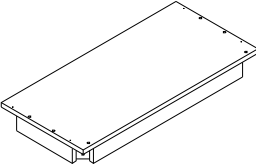
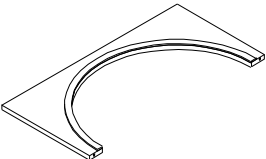
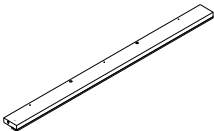
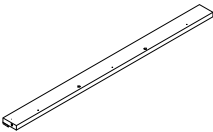
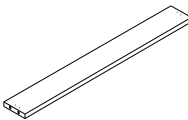
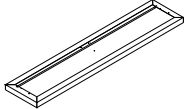
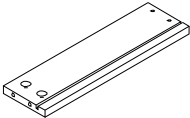
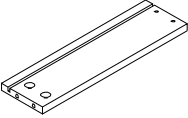
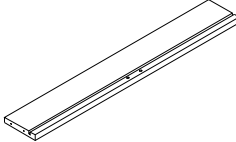
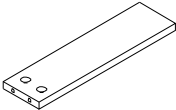
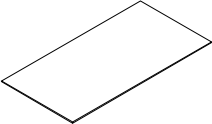
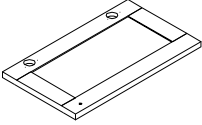
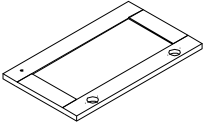
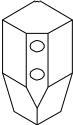
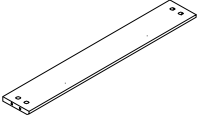
Please read the instructions and warnings carefully before use, to ensure safe and satisfactory operation of this product. At HULALA home we are committed to making great products possible. From our in-house Design Team, to our Buyers, we work together to bring great designs to life. Our expert Product Technologists work collaboratively with our buyers and suppliers to assure the legality, safety and quality of the product we sell. We are all committed to designing and developing products to the highest industry standards. We hope you are happy with your product and welcome any feedback or comments you may have.

Exploded Diagram

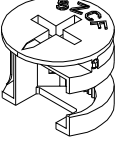
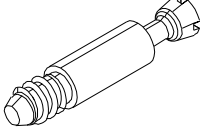
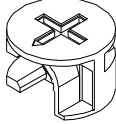
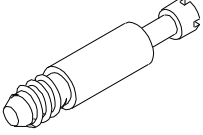
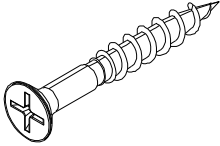
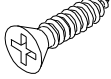
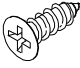

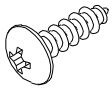
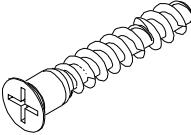
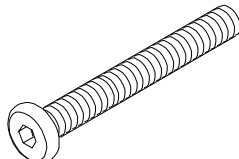
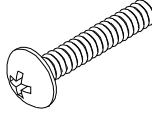
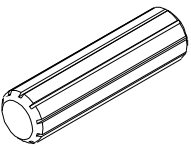
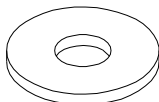
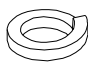
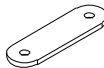
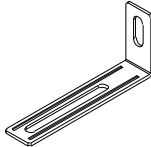

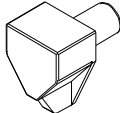
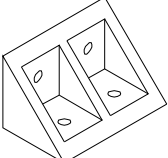

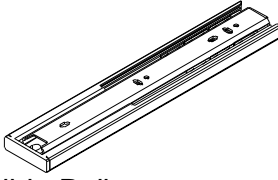
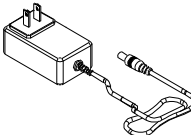
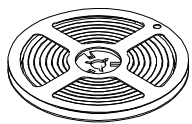
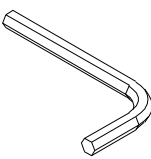
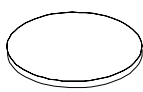
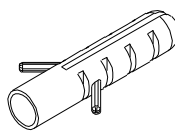



Be sure to check all packing material carefully for small parts, which may have come loose inside the carton during shipment.

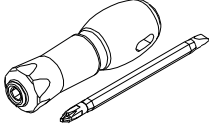
PARTS LIST

<p>A x 1</p>  <p>Top Panel</p>	<p>B x 1</p>  <p>Left Side Panel</p>	<p>C x 1</p>  <p>Right Side Panel</p>	<p>D x 1</p>  <p>Lower Left Side Panel</p>
<p>E x 1</p>  <p>Lower Right Side Panel</p>	<p>F x 1</p>  <p>Upper Back Panel</p>	<p>G x 1</p>  <p>Lower Back Panel</p>	<p>H x 2</p>  <p>Upper Adjustable Shelf</p>
<p>I x 1</p>  <p>Lower Adjustable Shelf</p>	<p>J x 1</p>  <p>Middle Panel</p>	<p>K x 1</p>  <p>Base</p>	<p>L x 1</p>  <p>Front Panel</p>
<p>M x 1</p>  <p>Left Side Bar</p>	<p>N x 1</p>  <p>Right Side Bar</p>	<p>O x 1</p>  <p>Lower Cross Panel</p>	<p>P x 1</p>  <p>Drawer Front Panel</p>
<p>Q x 1</p>  <p>Drawer Left Side Panel</p>	<p>R x 1</p>  <p>Drawer Right Side Panel</p>	<p>S x 1</p>  <p>Drawer Back Panel</p>	<p>T x 1</p>  <p>Drawer Support Panel</p>
<p>U x 1</p>  <p>Drawer Bottom Panel</p>	<p>V x 1</p>  <p>Left Door</p>	<p>W x 1</p>  <p>Right Door</p>	<p>X x 4</p>  <p>Leg</p>
<p>Y x 1</p>  <p>Upper Back Cross Panel</p>			

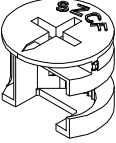
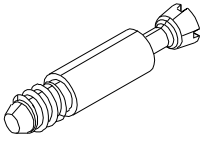
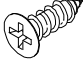
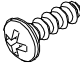
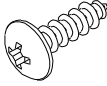
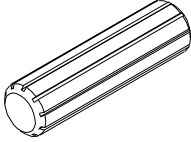
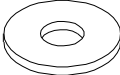
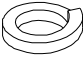
HARDWARE LIST

<p>1 x 30</p>  <p>Big Cam Lock</p>	<p>2 x 30</p>  <p>Big Cam Bolt</p>	<p>3 x 6</p>  <p>Small Cam Lock</p>	<p>4 x 6</p>  <p>Small Cam Bolt</p>
<p>5 x 7</p>  <p>Screw Ø3.5*38mm</p>	<p>6 x 8</p>  <p>Flat Head Screw Ø3.5x16mm</p>	<p>7 x 13</p>  <p>Flat Head Screw Ø3.5x12mm</p>	<p>8 x 12</p>  <p>Round Head Screw Ø3.5x12mm</p>
<p>9 x 46</p>  <p>Round Head Screw Ø4x16mm</p>	<p>10 x 8</p>  <p>Bolt M7x38mm</p>	<p>11 x 8</p>  <p>Bolt M6x50mm</p>	<p>12 x 3</p>  <p>Bolt For Handle M4x22mm</p>
<p>13 x 38</p>  <p>Wood Dowel Ø8x30mm</p>	<p>14 x 8</p>  <p>Flat Washer</p>	<p>15 x 8</p>  <p>Spring Washer</p>	<p>16 x 2</p>  <p>Iron Sheets</p>
<p>17 x 1</p>  <p>L Angle Iron</p>	<p>18 x 3</p>  <p>Handle</p>	<p>19 x 12</p>  <p>Shelf Support</p>	<p>20 x 2</p>  <p>Plastic Corner Code</p>
<p>21 x 4</p>  <p>Hinge</p>	<p>22 x 2</p>  <p>Slide Rail</p>	<p>23 x 1</p>  <p>Power Adapter</p>	<p>24 x 1</p>  <p>LED Strip</p>
<p>25 x 1</p>  <p>Wrench</p>	<p>26 x 30</p>  <p>Cover</p>	<p>27 x 1</p>  <p>Anchor</p>	<p>28 x 1</p>  <p>Cable Ties</p>

HARDWARE LIST

<p>29 x 1</p>  <p>Screwdriver</p>			
---	--	--	--

SPARE LIST

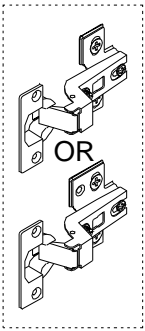
<p>1 x 3</p>  <p>Big Cam Lock</p>	<p>2 x 3</p>  <p>Big Cam Bolt</p>	<p>7 x 1</p>  <p>Flat Head Screw Ø3.5x12mm</p>	<p>8 x 1</p>  <p>Round Head Screw Ø3.5x12mm</p>
<p>9 x 3</p>  <p>Round Head Screw Ø4x16mm</p>	<p>13 x 3</p>  <p>Wood Dowel Ø8x30mm</p>	<p>14 x 1</p>  <p>Flat Washer</p>	<p>15 x 1</p>  <p>Spring Washer</p>

Before your installation, please make sure that you have all the parts listed on the manual. If you find something missing, stop installing and contact your supplier immediately.

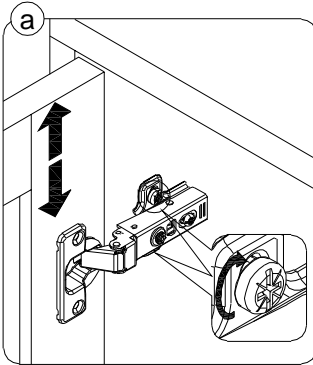
NOTE: Please do not completely tighten all the hardware until the entire assembly is completed! Be sure to tighten all the hardware once the assembly completed.

NOTE: Should be assembled on soft surface to keep balance.

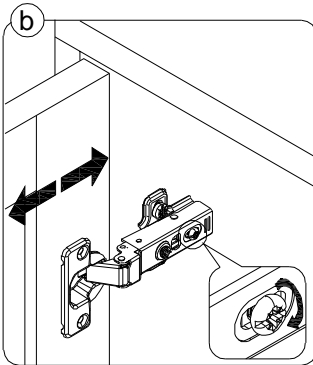
IF HAVE THIS ACCESSORY



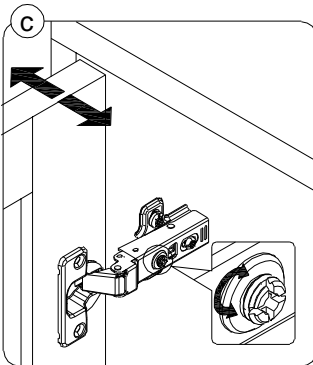
It may be necessary to adjust the hinges so that the doors align. Use the instructions below as a guide.



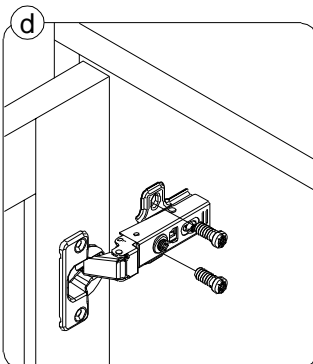
To adjust the door vertically loosen the screw as shown and move up and down as needed.



To adjust the gap from the door to the main frame turn the screw clockwise or anti-clockwise as needed.

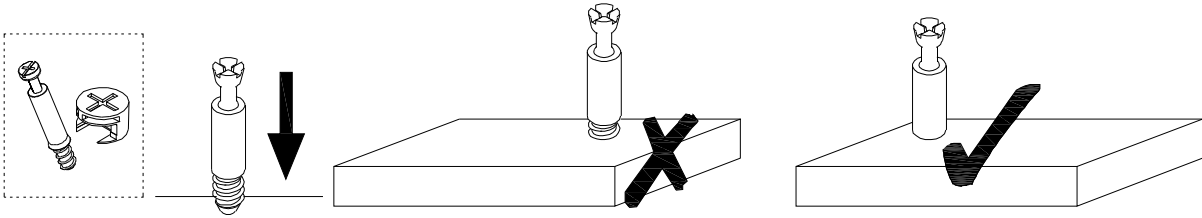


To adjust the door laterally adjust the screw as shown by turning clockwise or anti-clockwise.

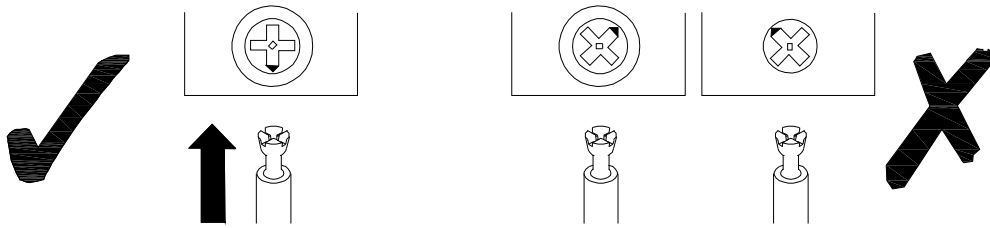


Please fix other screws.

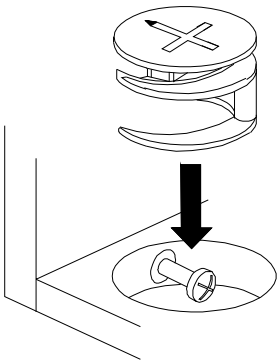
IF HAVE THIS ACCESSORY



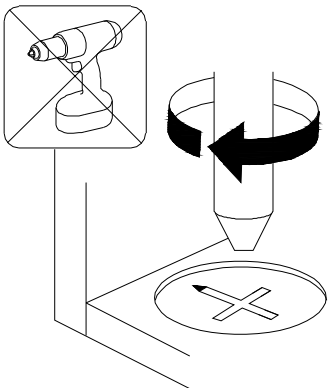
QUICKFIT: Tighten quickfit until shoulder is flush with panel. Do not overtighten or undertighten.



CAM LOCK: When fitting cam lock, ensure starting position is correct before you insert connecting quickfit.



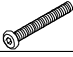



Quickfit head should be in the centre of the cam lock when the two panels are joined.

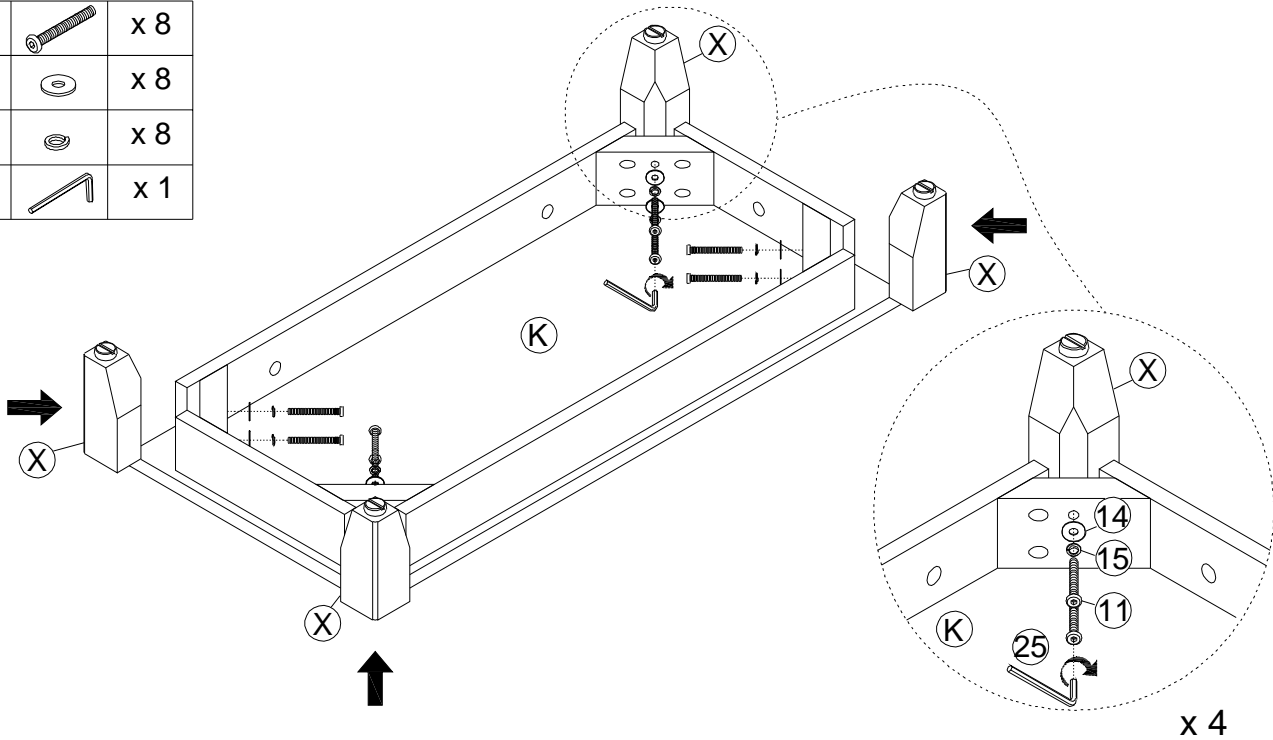


Turn cam lock clockwise to tighten.

ASSEMBLY INSTRUCTION



STEP 1

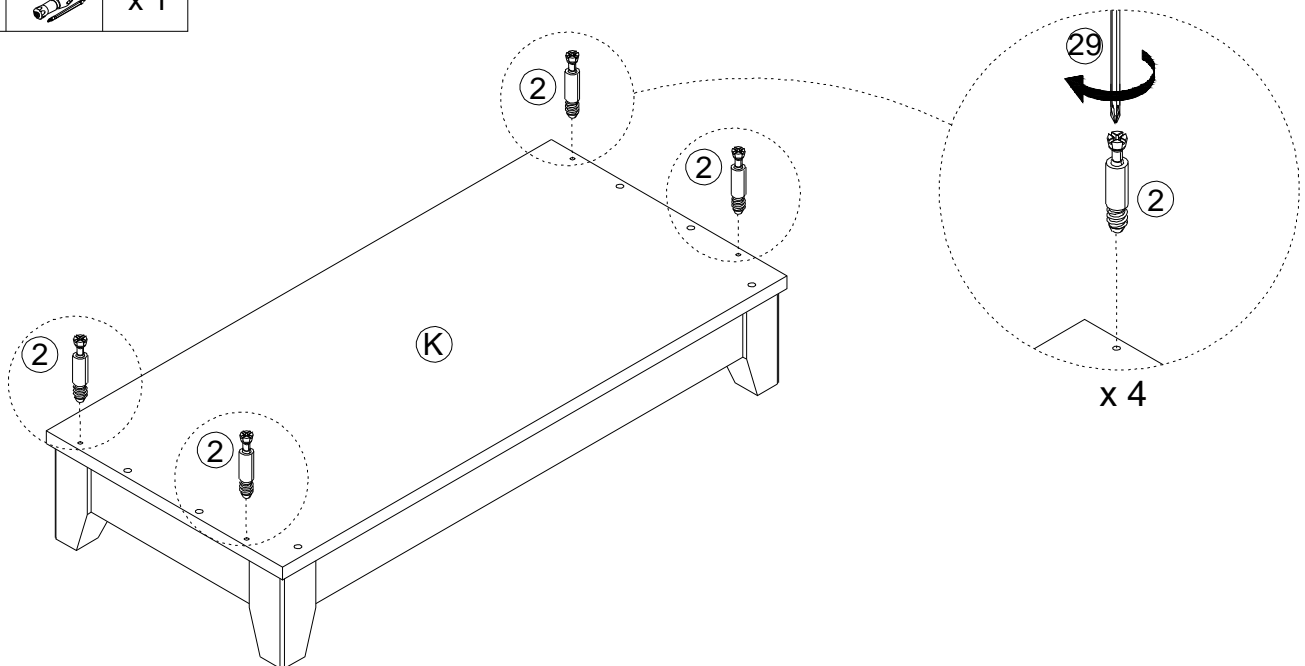
11		x 8
14		x 8
15		x 8
25		x 1



Insert bolts (11) through flat washer (14) and spring washer (15), as shown. Install leg (X) through base (K) and tighten with wrench (25).

STEP 2

2		x 4
29		x 1

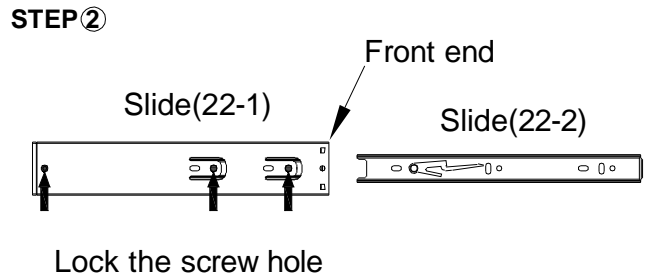
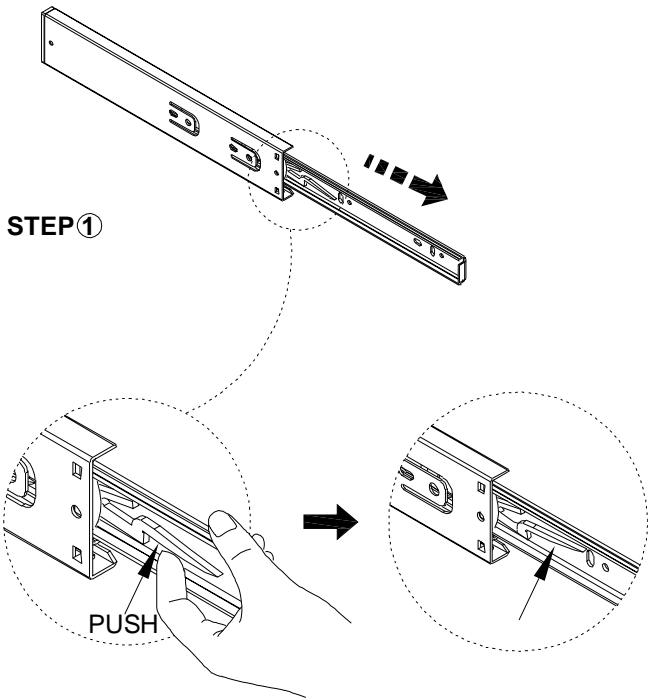


Insert the cam bolts (2) into base (K) and tighten it with screwdriver (29).


STEP 3

22		x 2
----	---	-----

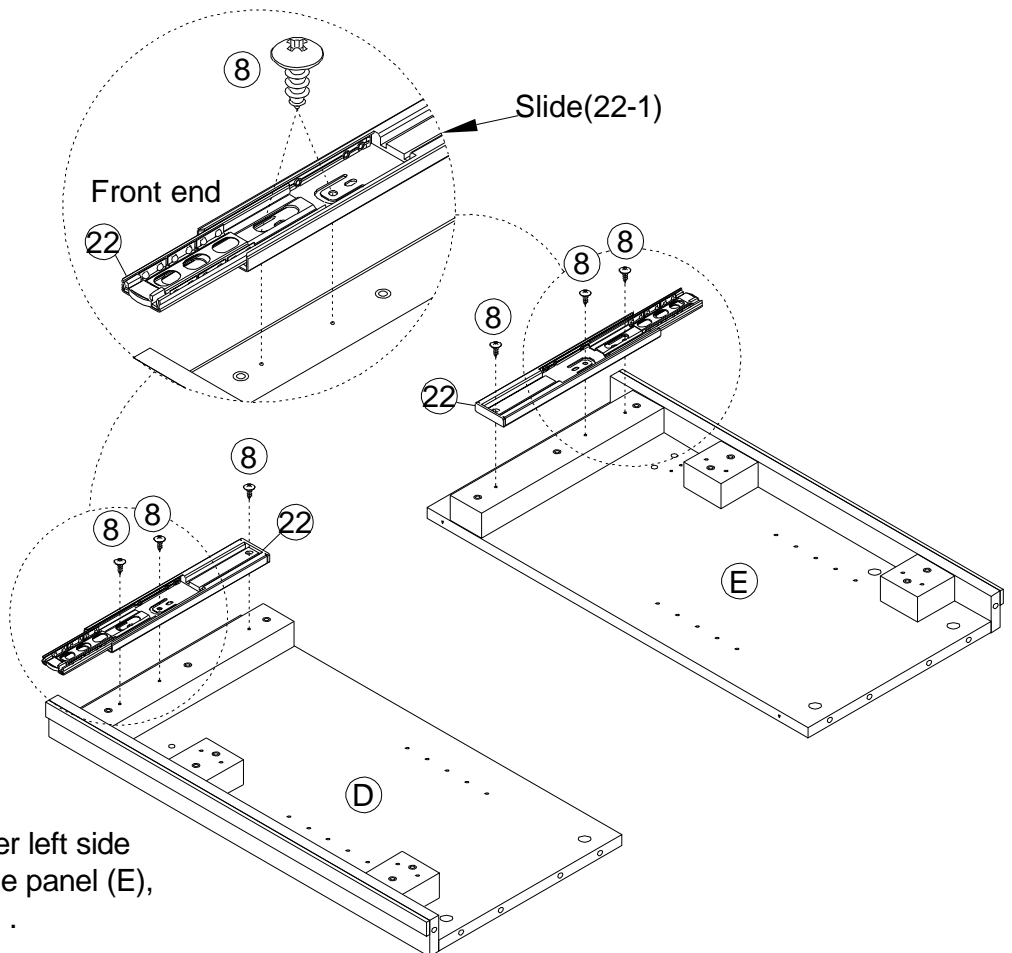
Note:
Remove the slide rails (22-1) and (22-2) as shown in the lower left picture.



STEP 4



8		x 6
---	---	-----

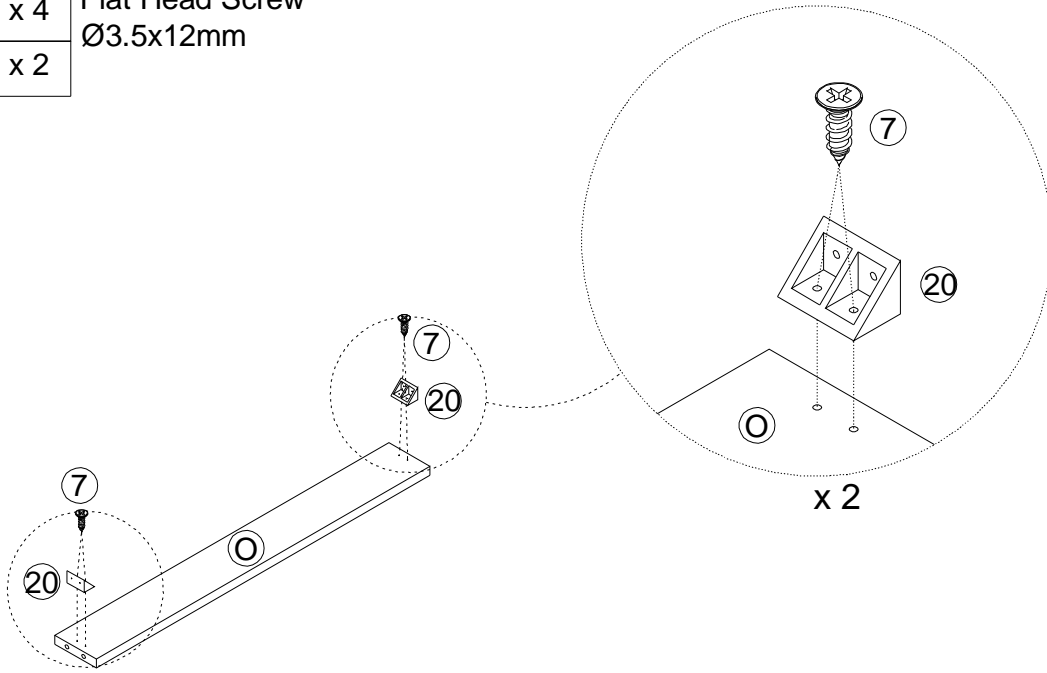
Round Head Screw
Ø3.5x12mm



Install slide rails (22) on lower left side panel (D) and lower right side panel (E), using round head screws (8) .



STEP 5

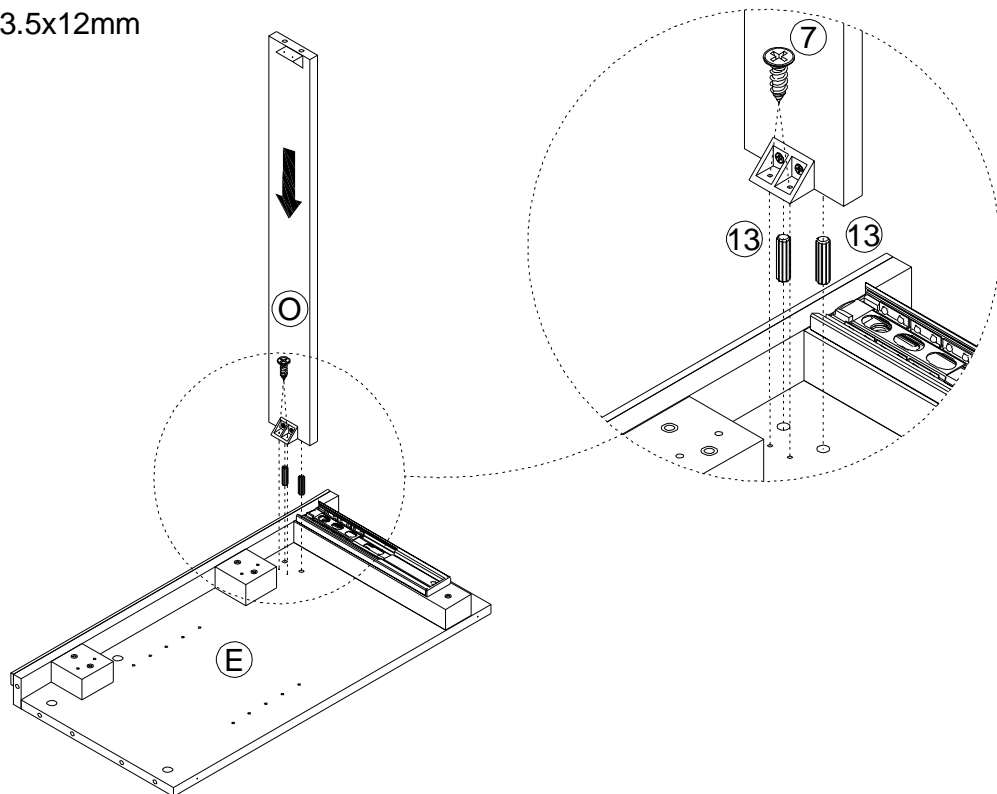
7		x 4	Flat Head Screw Ø3.5x12mm
20		x 2	



Attach plastic corner code (20) to lower cross panel (O) using flat head screws (7).



STEP 6

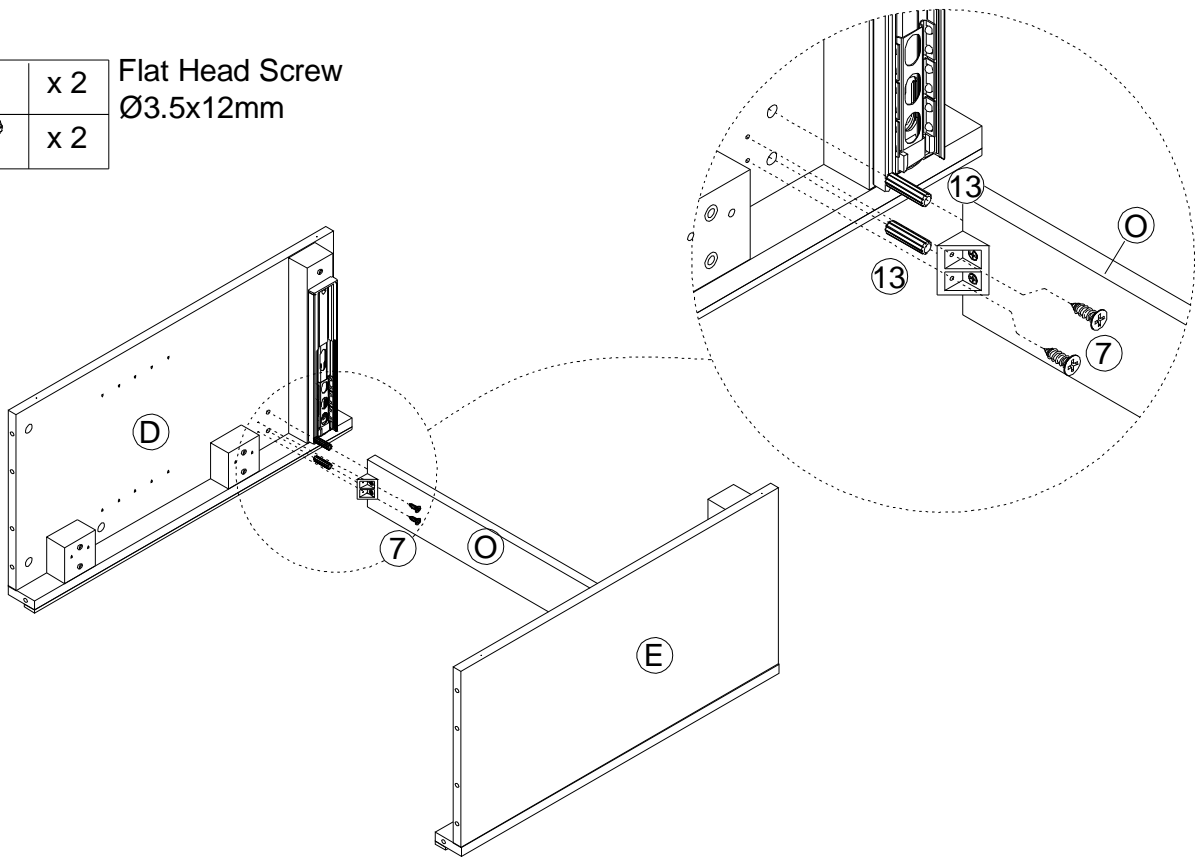
7		x 2	Flat Head Screw Ø3.5x12mm
13		x 2	



Connect lower cross panel (O) to left side panel (E) with wood dowels (13), and secure using flat head screws (7).



STEP 7

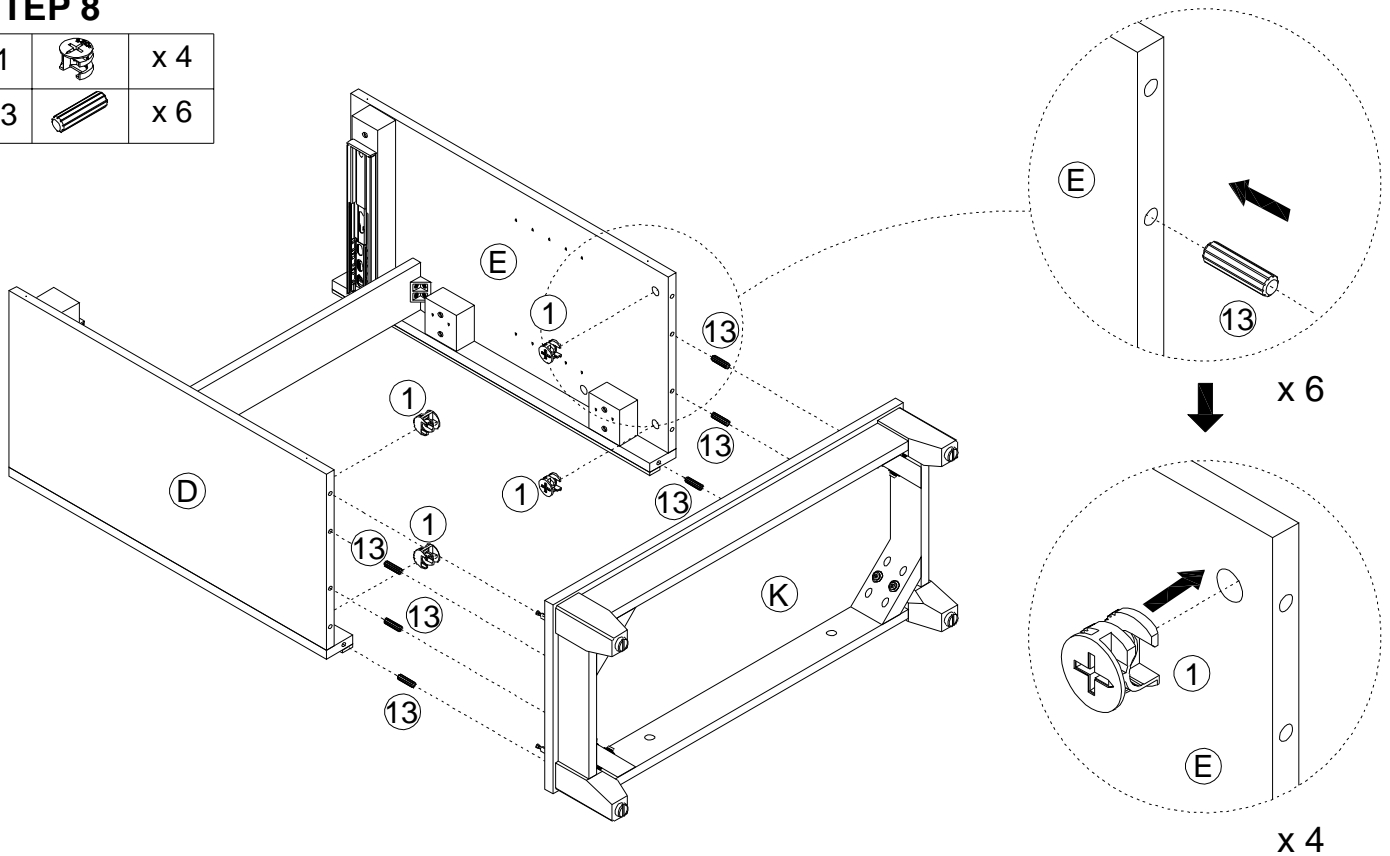
7		x 2	Flat Head Screw Ø3.5x12mm
13		x 2	



Insert right side panel (D) into lower cross panel (O) using wood dowels (13) and tighten with flat head screws (7).



STEP 8

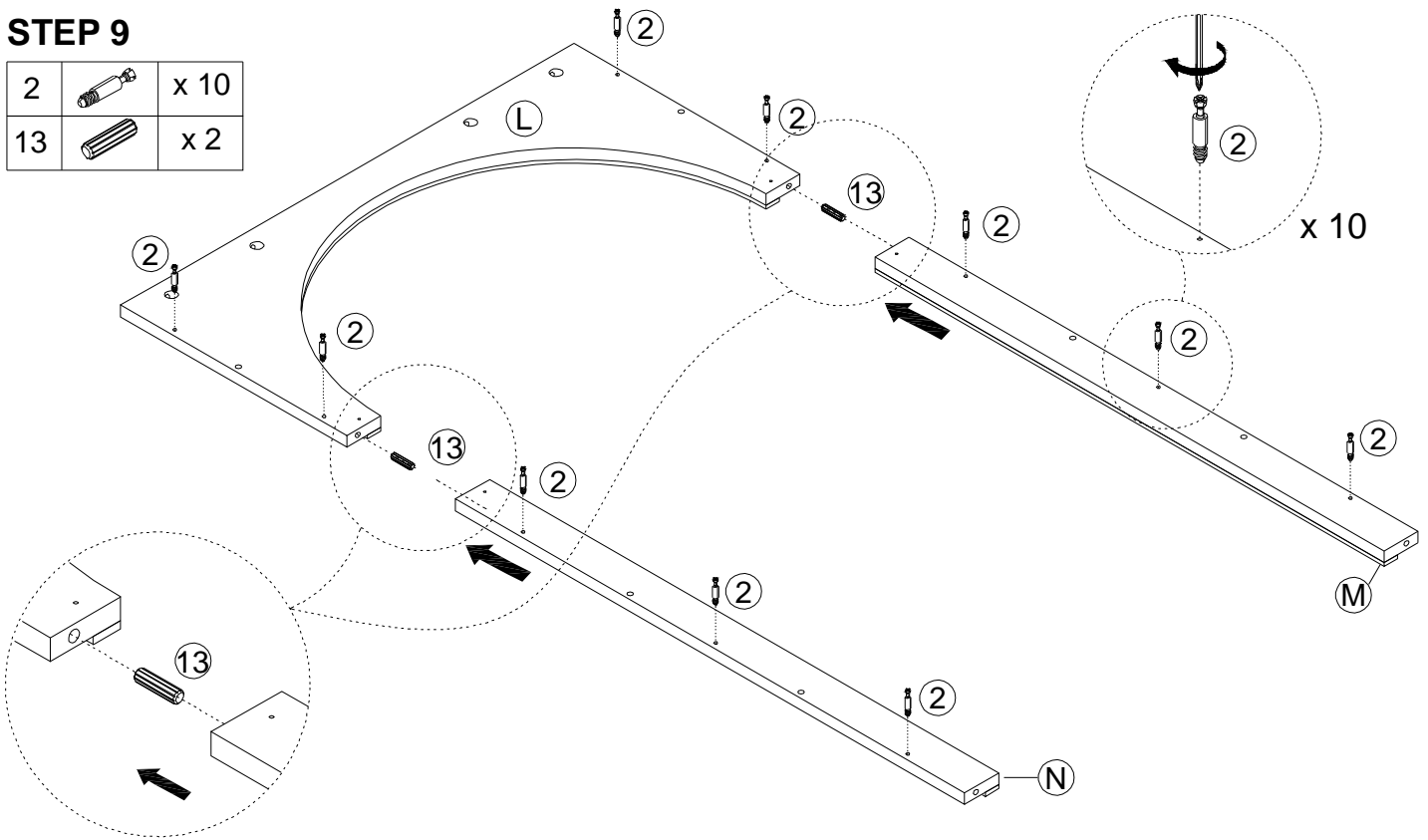
1		x 4
13		x 6



Connect base (K) to lower left side panel (D) and lower right side panel (E) using wood dowels (13) and cam locks (1) with screwdriver tighten.



STEP 9

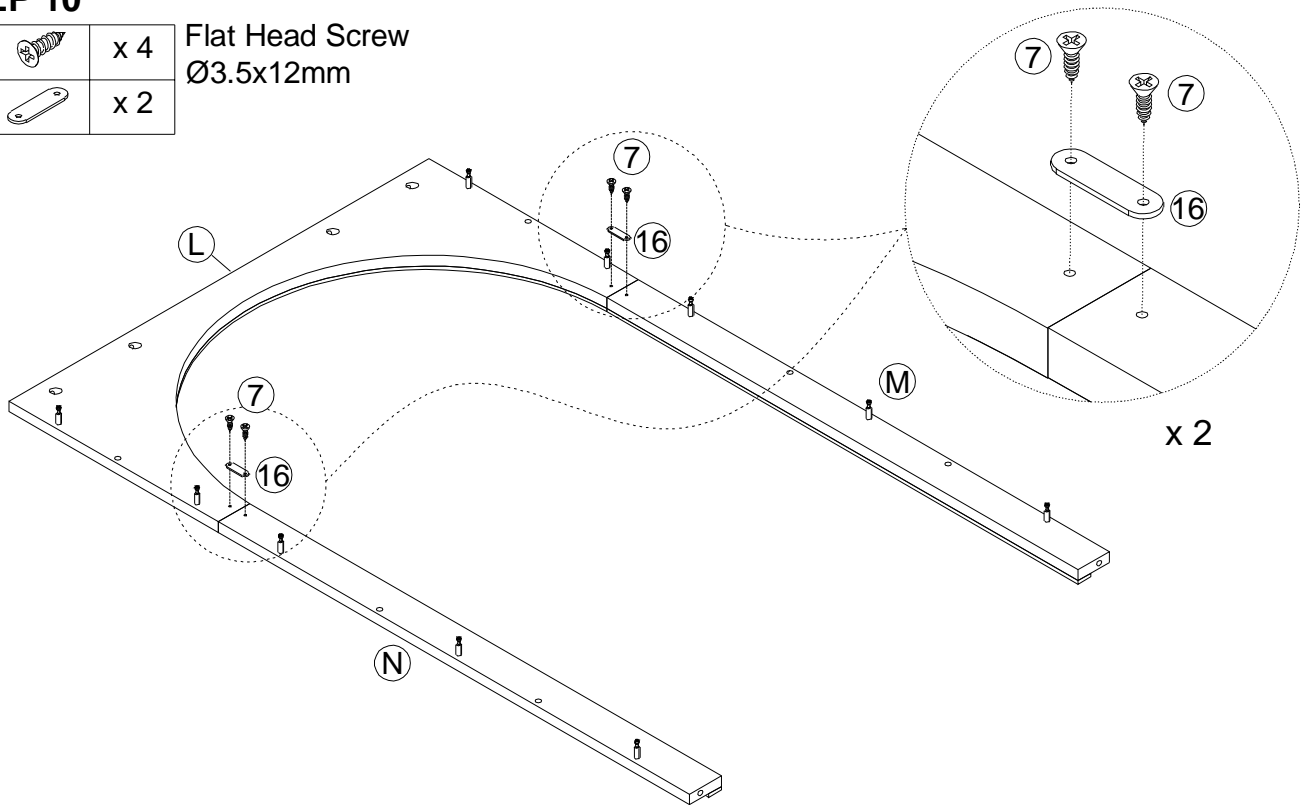
2		x 10
13		x 2



Connect left side bar (M) and right side bar (N) to front panel (L) using wood dowels (13) and cam locks (1) with screwdriver tighten.


STEP 10

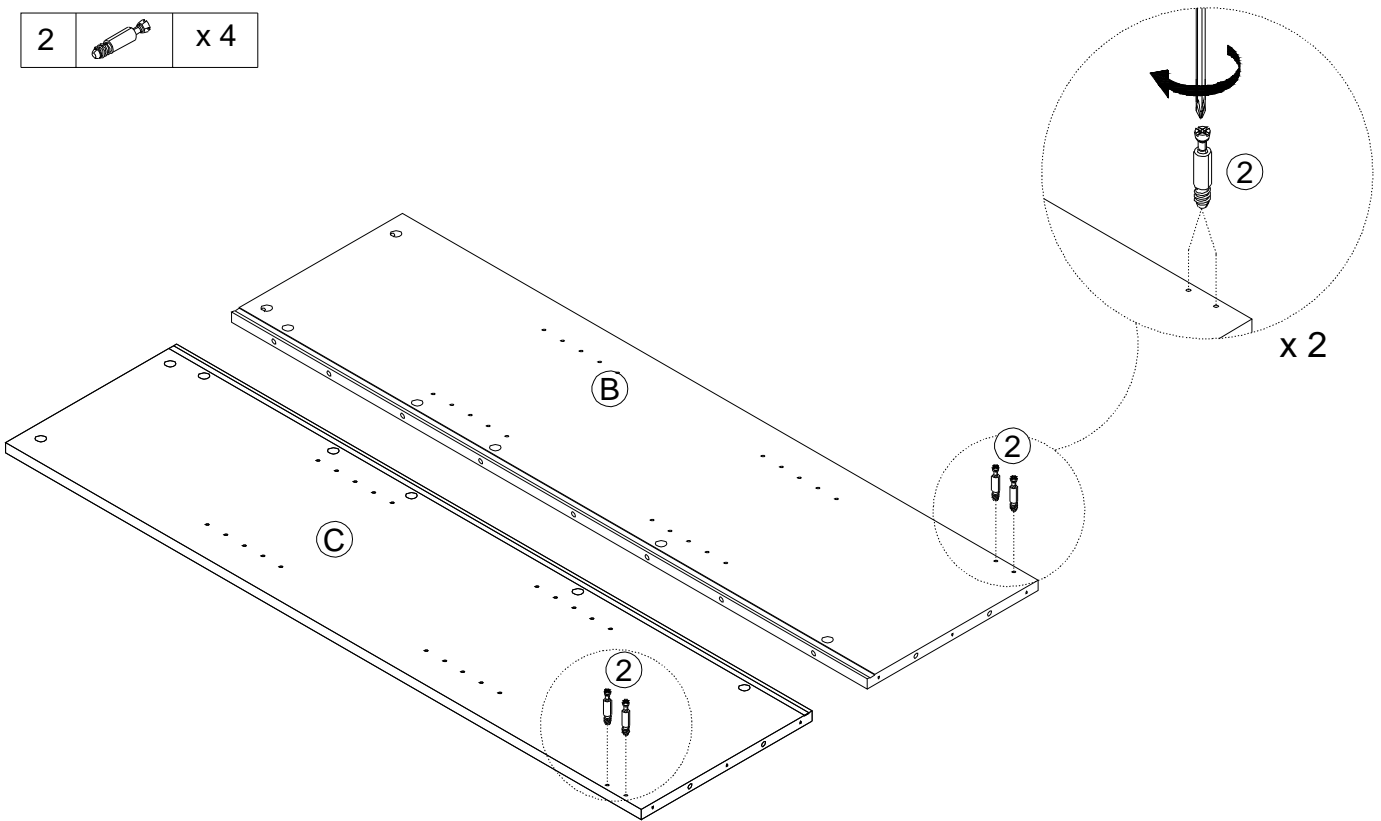
7		x 4	Flat Head Screw Ø3.5x12mm
16		x 2	



Attach iron sheets (16) to left side bar (M) and right side bar (N) and front panel (L) using flat head screws (7) with screwdriver tighten.

STEP 11

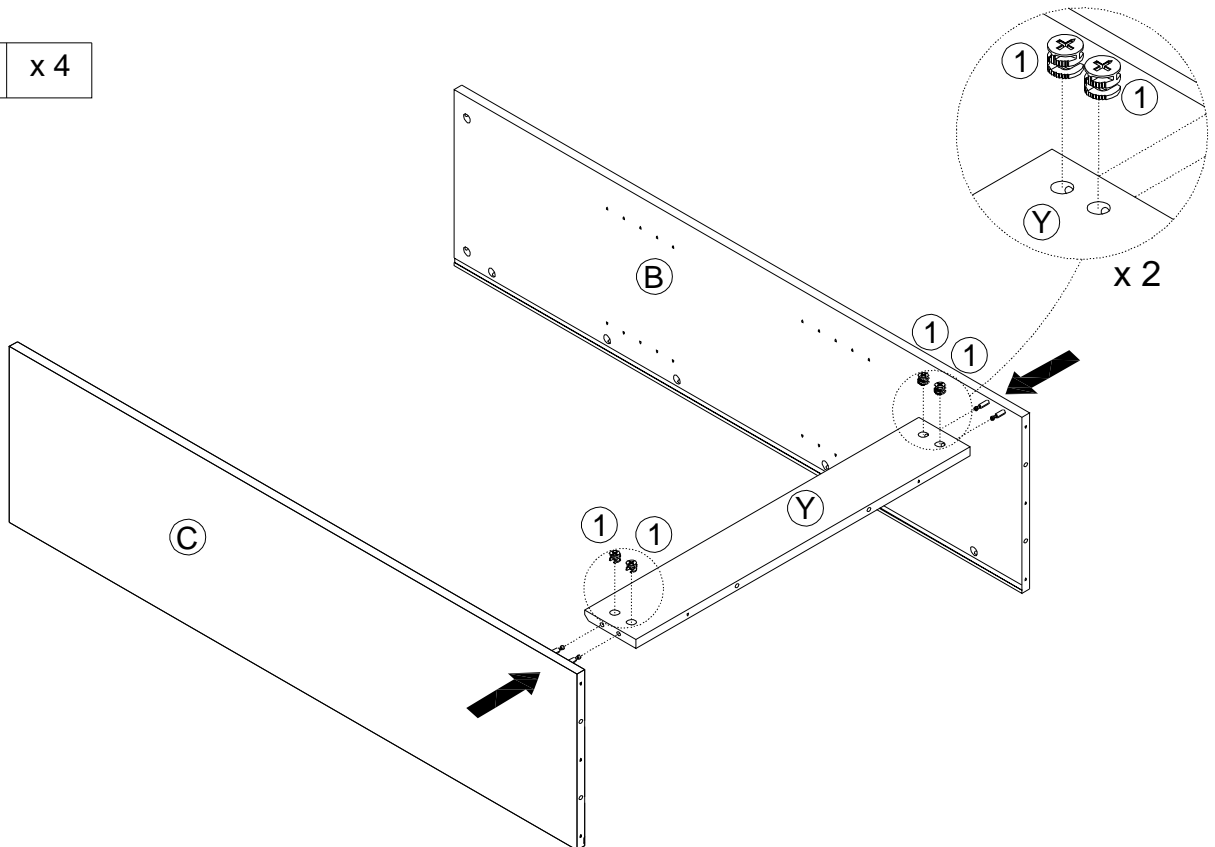
2		x 4
---	---	-----



Insert cam bolts(2) into left side panel (B),right side panel (C) using with screwdriver tighten.


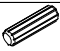
STEP 12

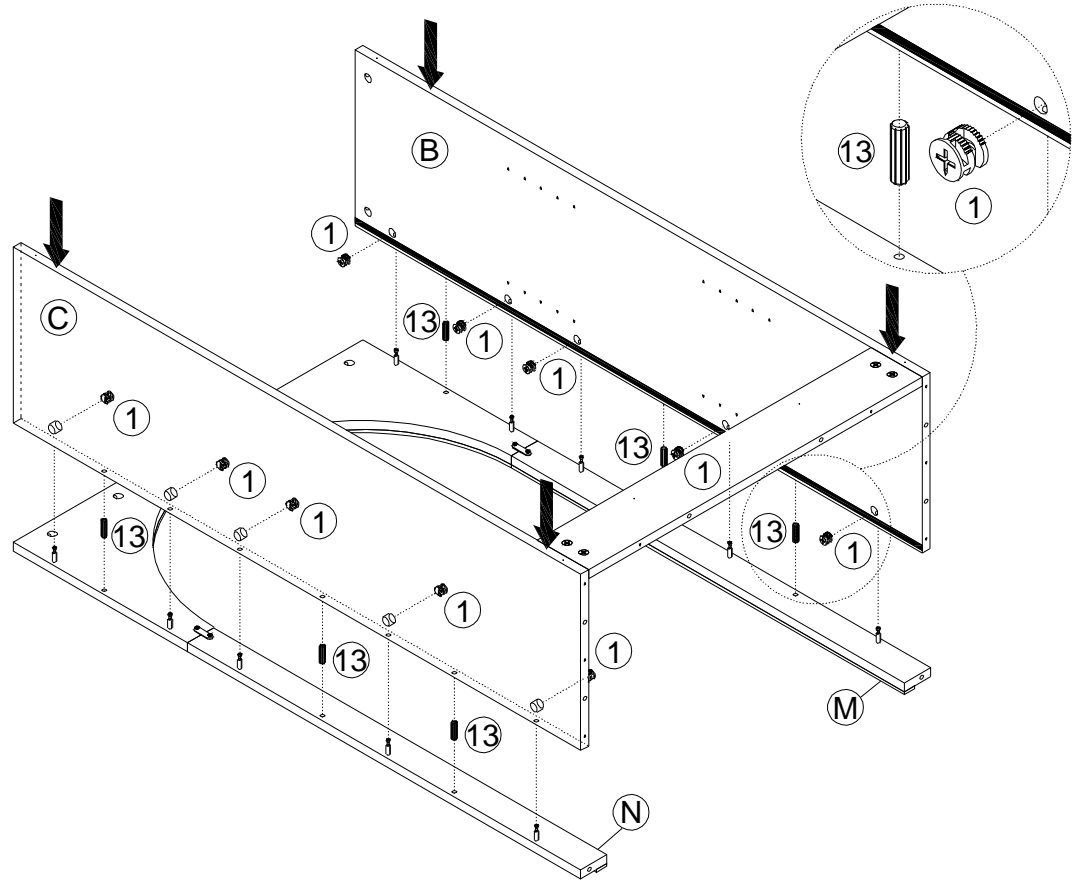
1		x 4
---	---	-----



Insert left side panel (B),right side panel (C) into upper back cross panel (Y), insert cam locks (1) and tighten with a screwdriver.


STEP 13

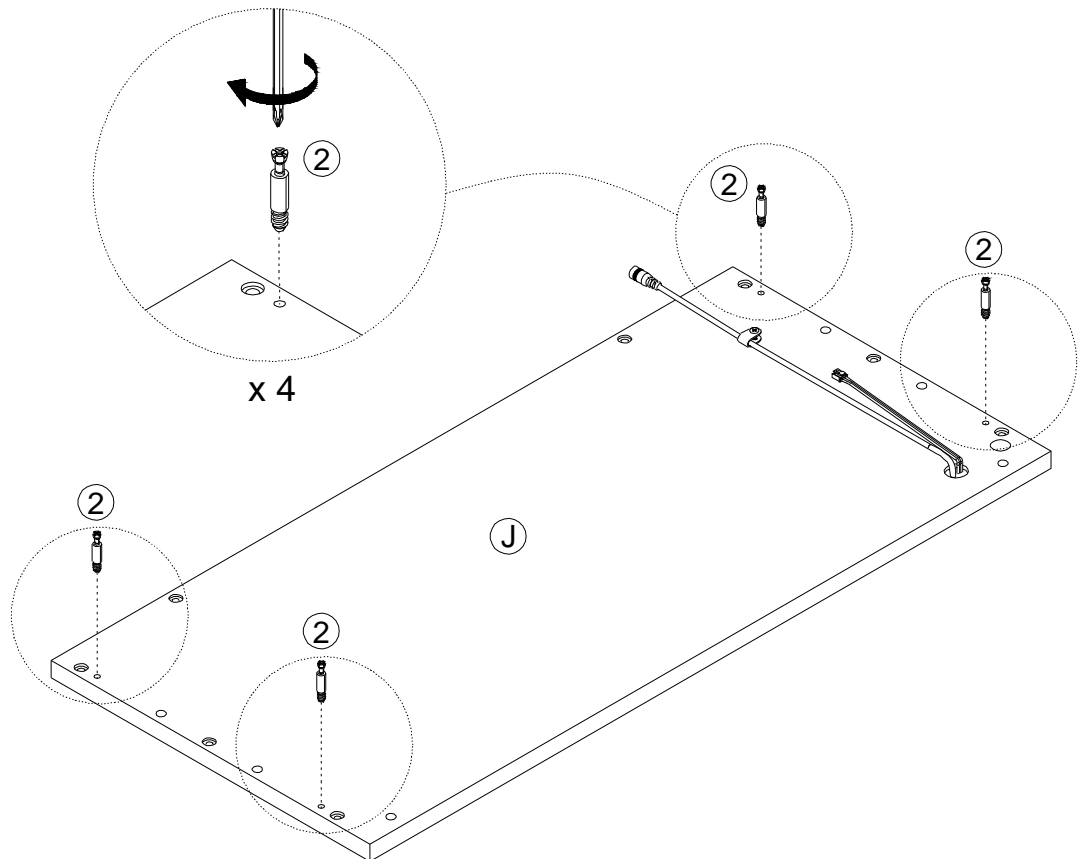
1		x 10
13		x 6



Attach left side panel (B) and right side panel (C) to left side bar (M) and right side bar (N) using wood dowels (13) tighten cam locks (1) to ensure stability.



STEP 14

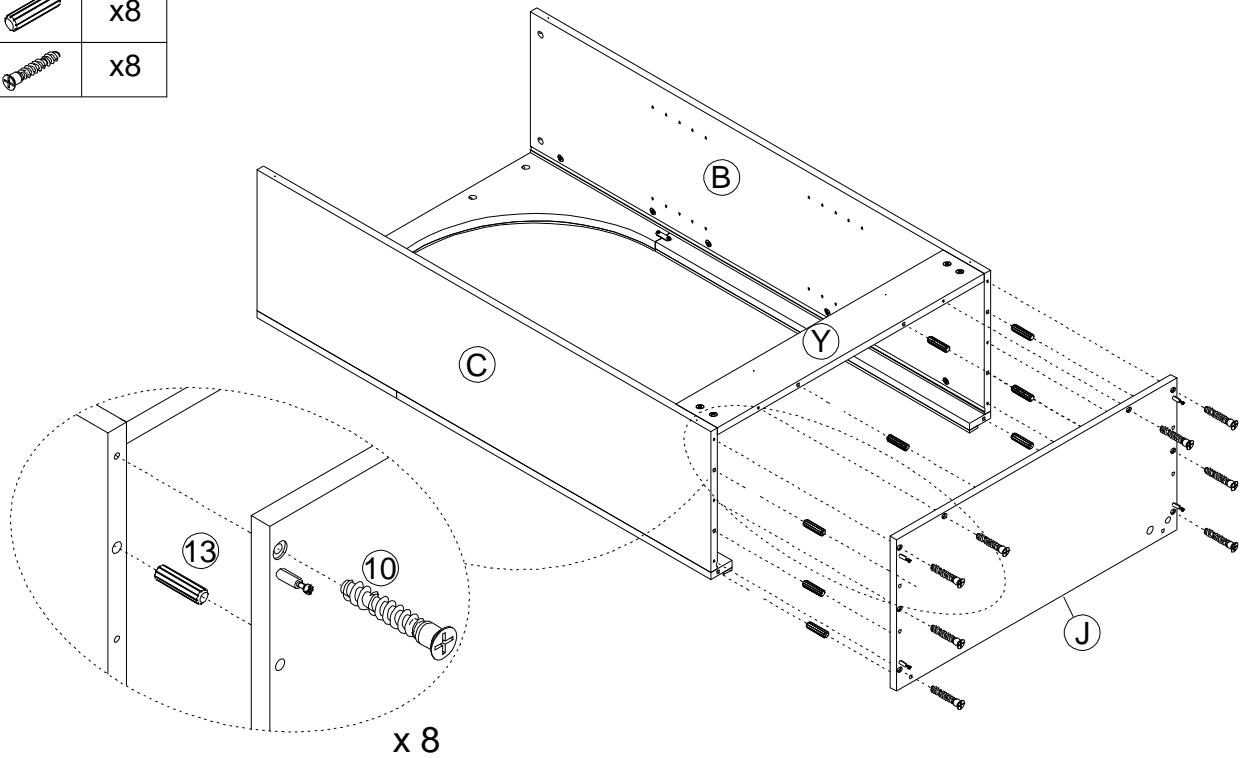
2		x 4
---	---	-----



Insert cam bolts(2) to middle (J) with screwdriver tighten.




STEP 15

13		x8
10		x8

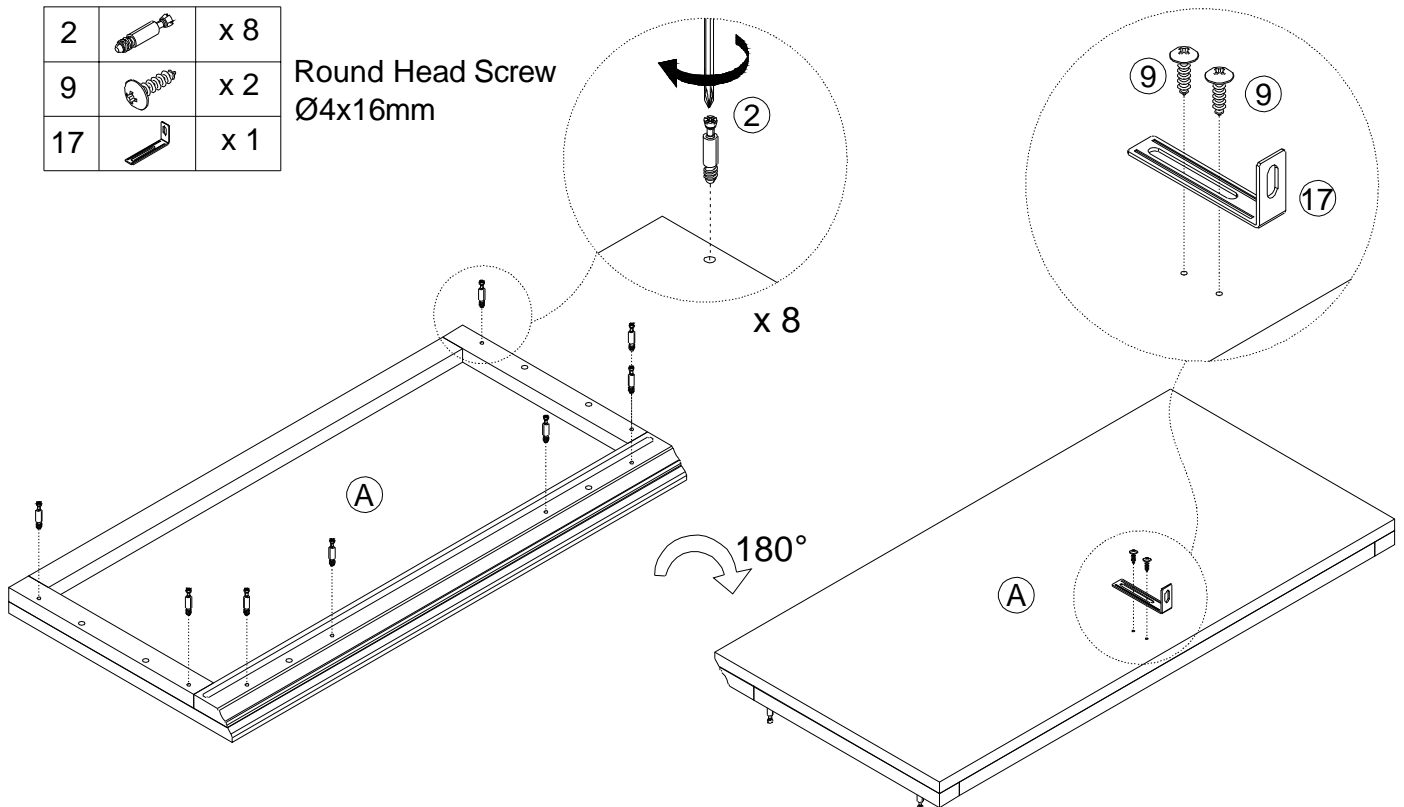


Connect middle panel (J) to left side panel (B) right side panel (C) using wood dowels (13) , then using bolts (10) with screwdriver tighten.

STEP 16


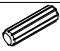
2		x 8
9		x 2
17		x 1

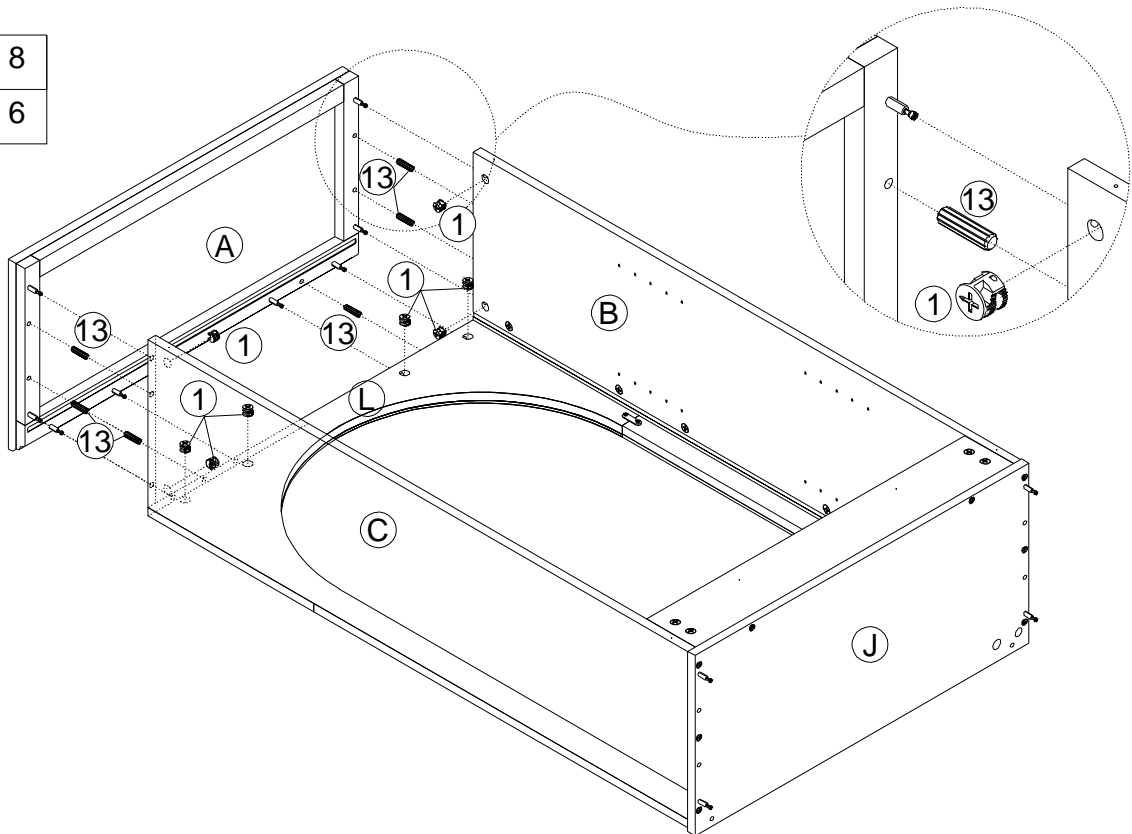
Round Head Screw
Ø4x16mm



- 1.Insert cam bolts(2) into top panel (A) with tighten.
- 2.Flip the top panel (A) use screw (9) to fix the L iron sheet (17) on the top panel (A) and tighten it with a screwdriver.




STEP 17

1		x 8
13		x 6



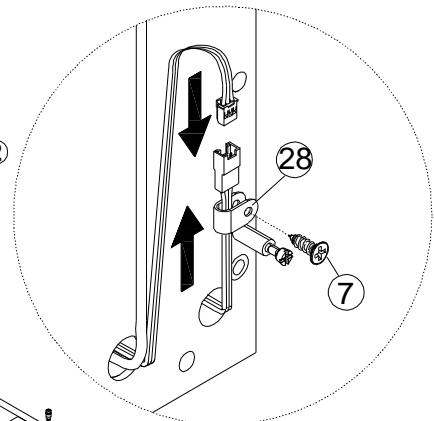
Attach top panel (A) to left side panel (B) right side panel (C) using wood dowels (13) and cam locks (1) with screwdriver tighten.

STEP 18

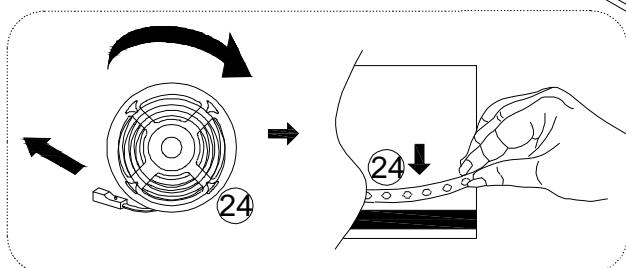
24		x 1
7		x 1
28		x 1

Flat Head Screw
Ø3.5x12mm

STEP ②


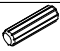


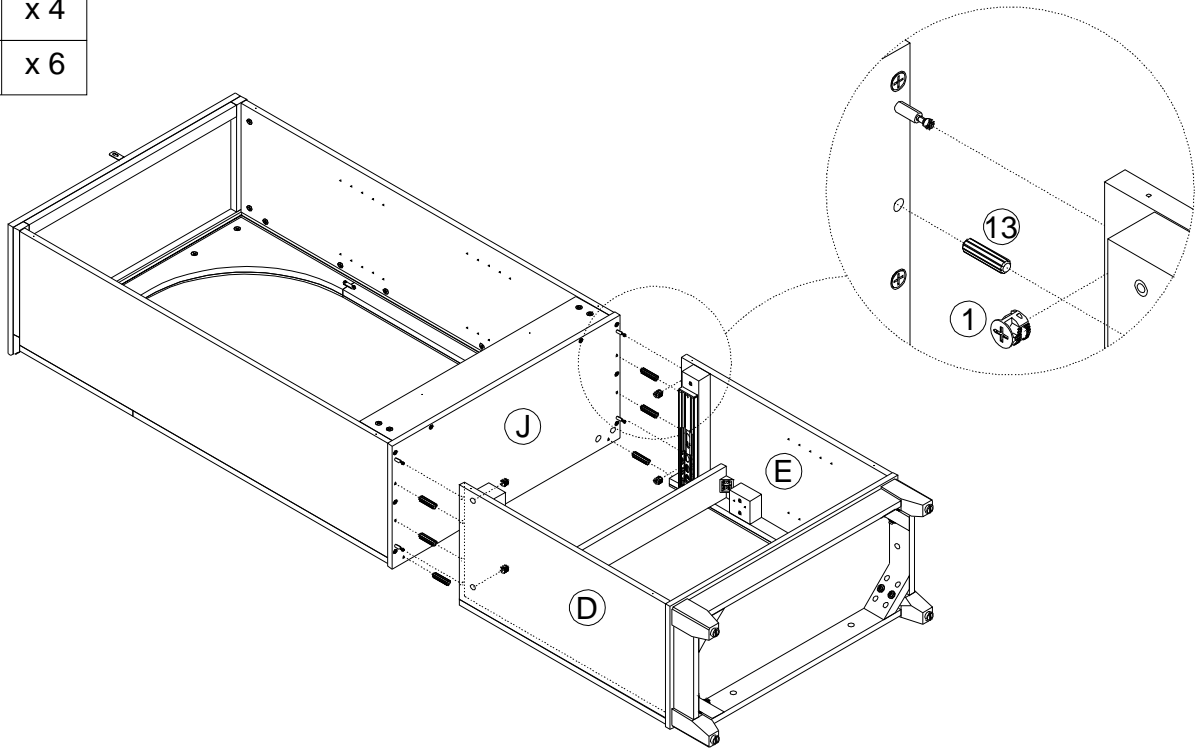
STEP ①



1. Install the LED strip (24) according to the diagram.
2. After connecting the LED strip (24) with the switch port, fix the excess cable with Cable Tie (28) using flat head screw (7) with screwdriver tighten.

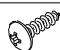
STEP 19

1		x 4
13		x 6

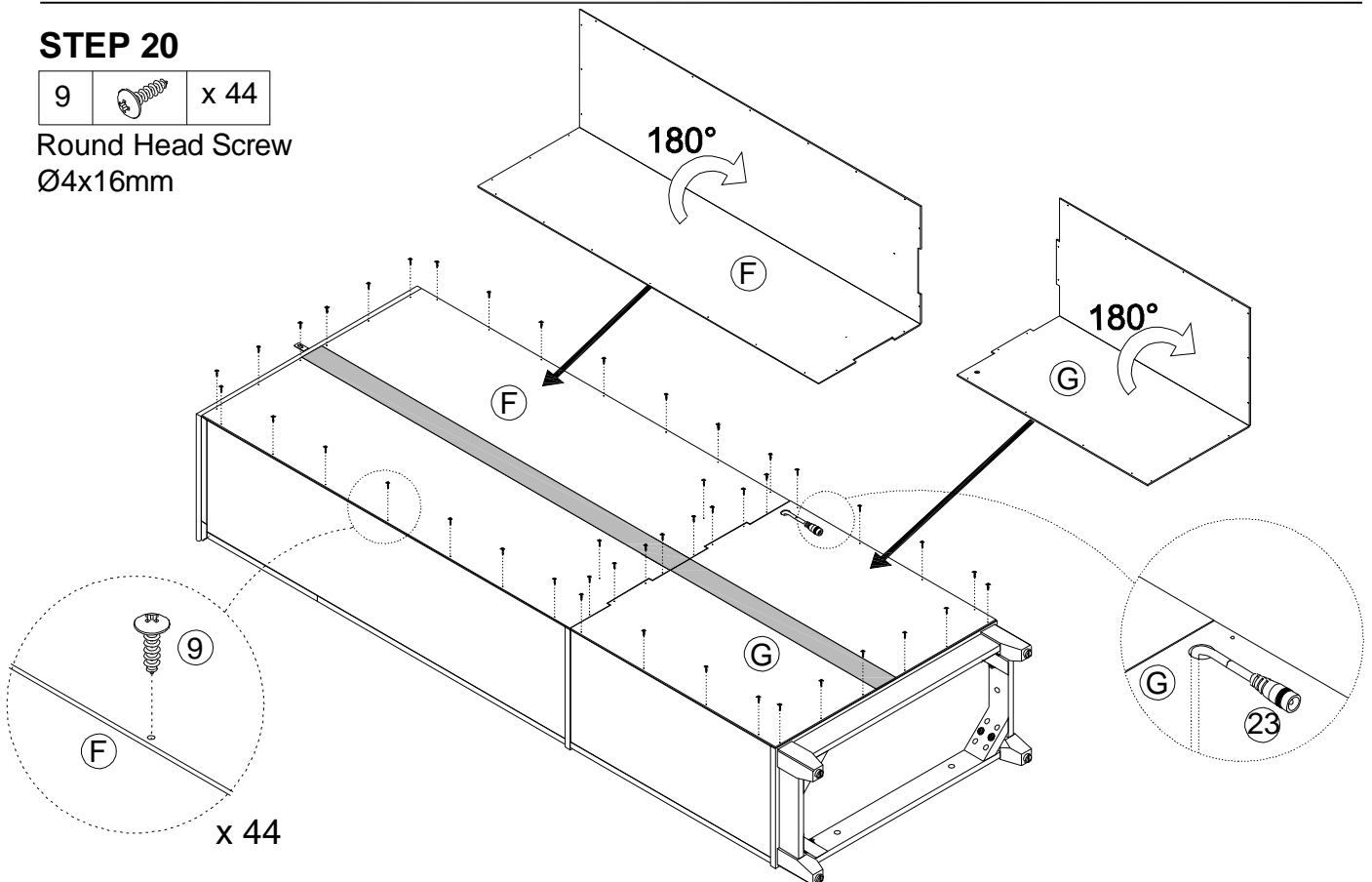


Insert lower right side panel (D) and lower left side panel (E) into middle (J) using wood dowels (13) and cam lock (1) with screwdriver tighten.

STEP 20

9		x 44
---	---	------

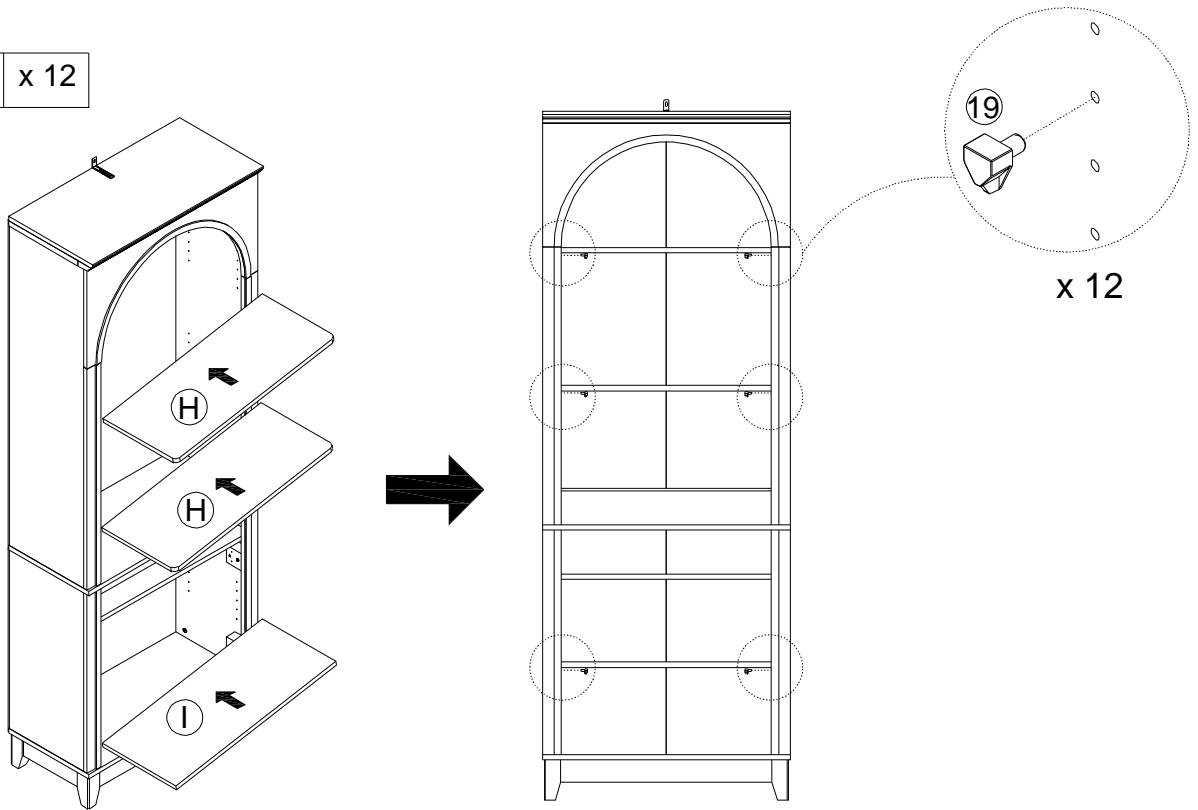
Round Head Screw
Ø4x16mm



Open the back panel (F) and back panel (G), secure with round head screws (9), and tighten with a screwdriver.



STEP 21

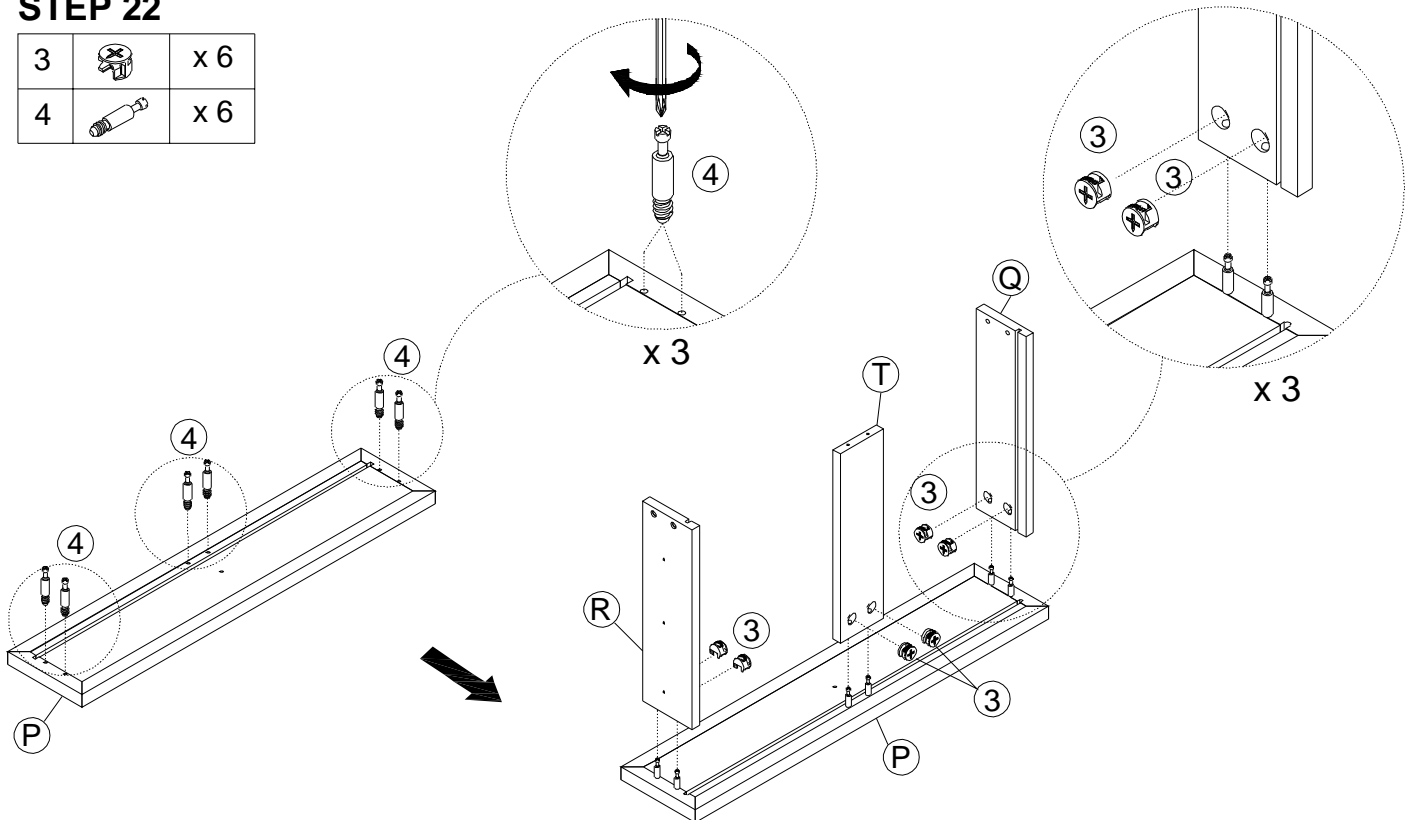
19		x 12
----	---	------



Place adjustable shelf (H) and (I) at the desired height and insert shelf supports (19).

STEP 22

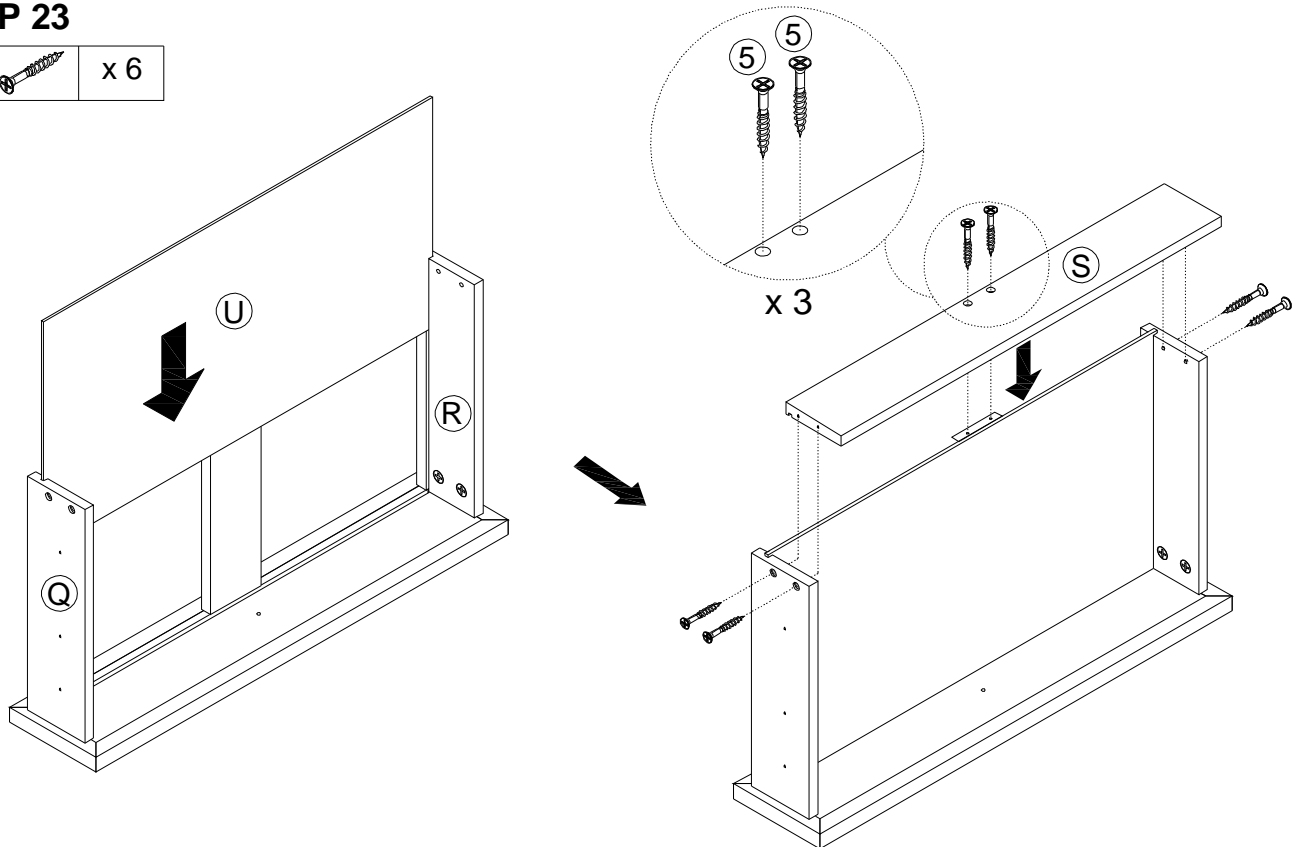
3		x 6
4		x 6



1. Insert small cam bolts (4) into drawer front panel (P) with screwdriver tighten.
2. Into small cam lock (3) with screwdriver tighten.





STEP 23

5		x 6
---	---	-----

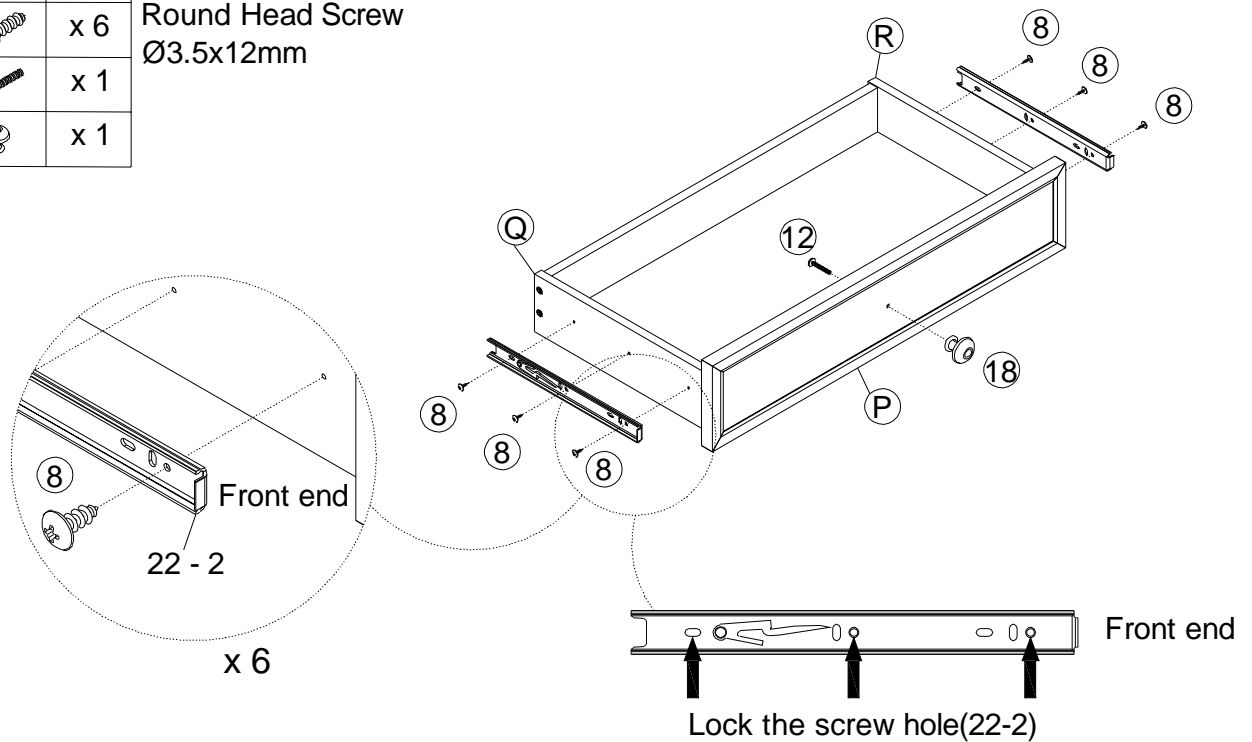


Insert drawer bottom panel (U) into the designated slots of drawer side panel (Q) and (R) .
Attach the drawer back panel using screws (5) and tighten with a screwdriver.

STEP 24

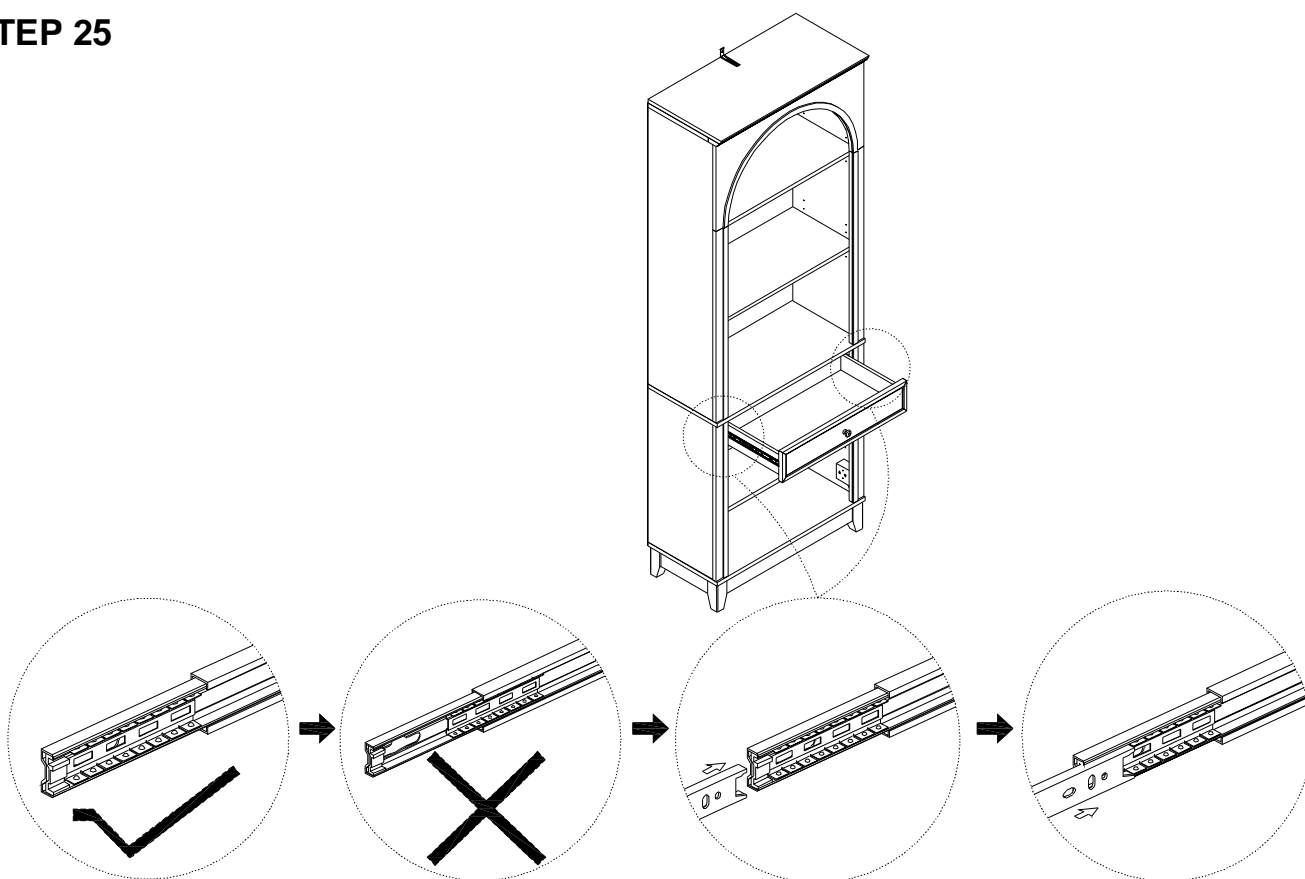
22-2		x 1
8		x 6
12		x 1
18		x 1

Round Head Screw
Ø3.5x12mm





- 1.Install slide rails on drawer side panel (Q) and (R) using round screws (8).
- 2.Attach handles (18) to drawer front panel(P) using bolts (12) with screwdriver tighten,as shown.

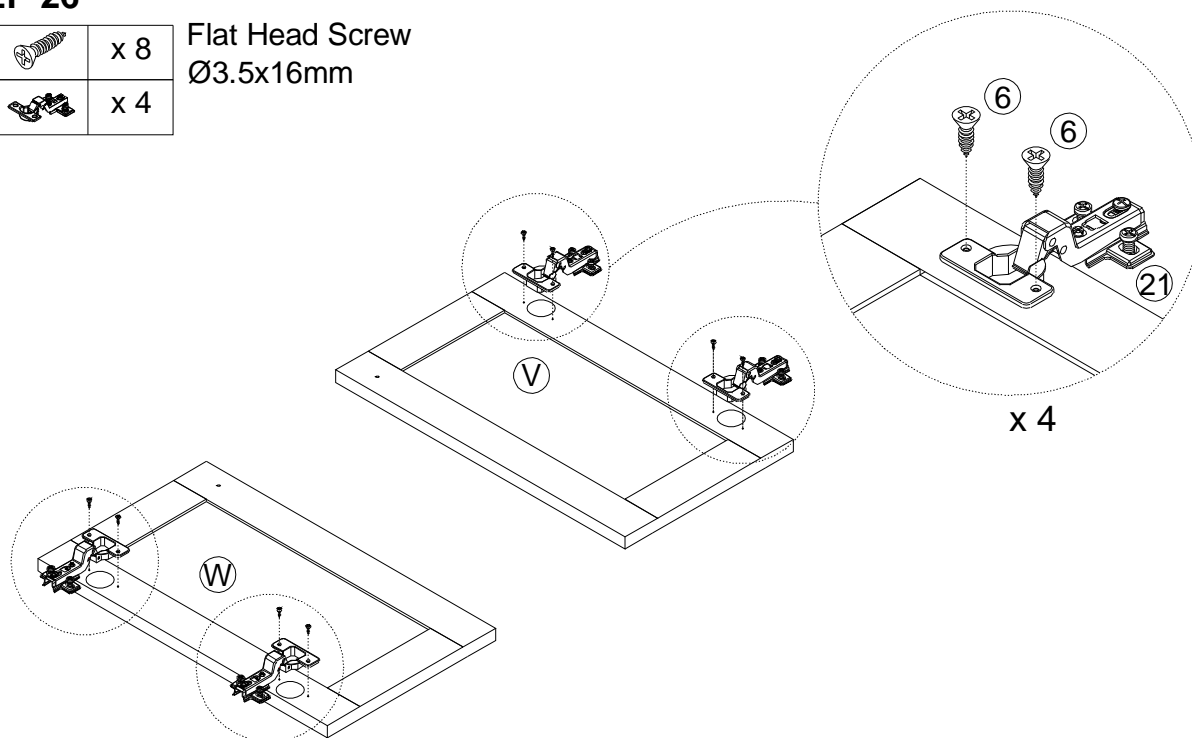
STEP 25



Install drawer to bookcase as shown.



STEP 26

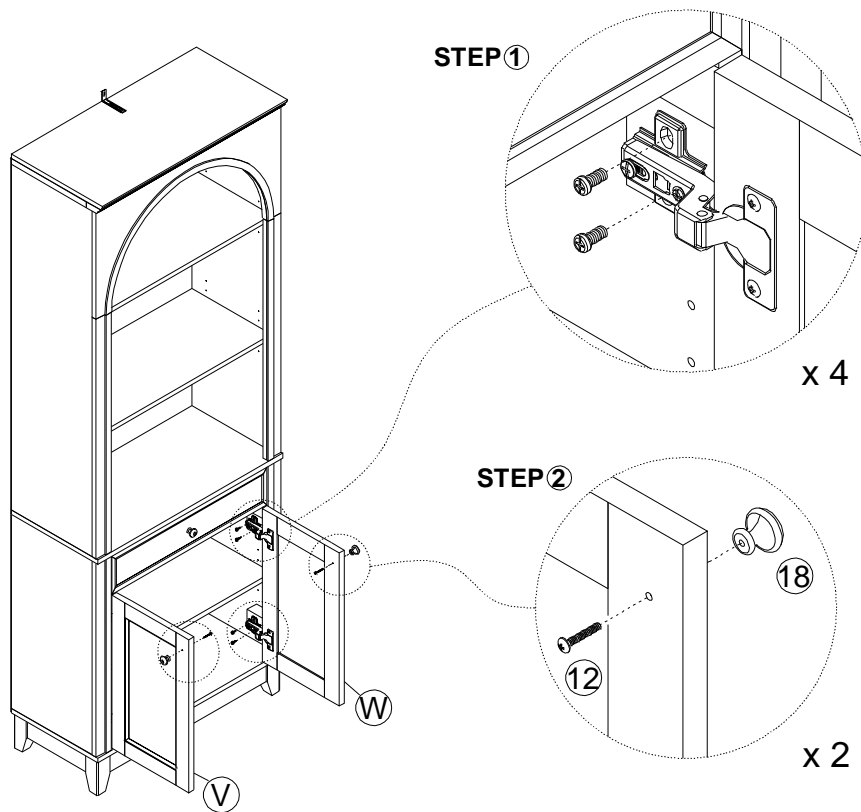
6		x 8	Flat Head Screw Ø3.5x16mm
21		x 4	



Attach hinges (21) to right door (W) and left door (V) using flat head screws (6) with screwdriver tighten.


STEP 27

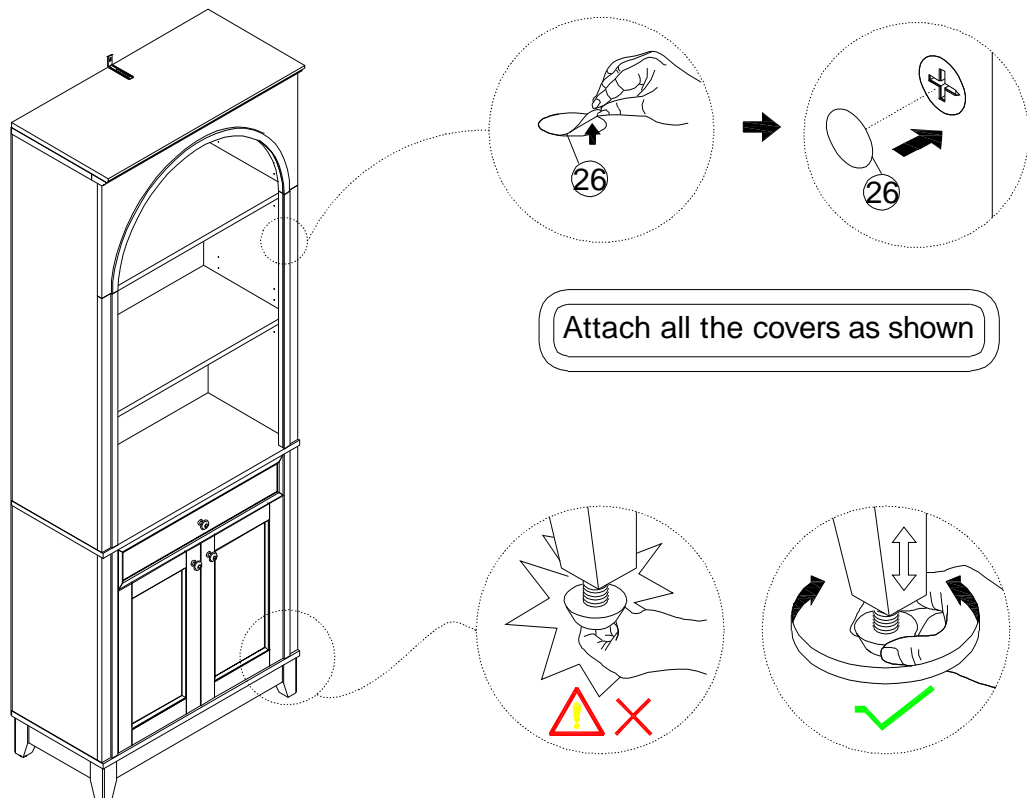
12		x 2
18		x 2





1. Attach door (W) and (V) to the bookcase as the figure.
2. Attach the handles (18) to right door (W) and left door (V) using bolts (12) with screwdriver tighten.

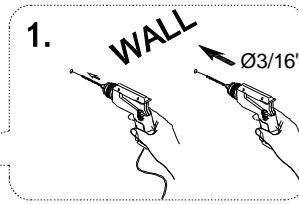
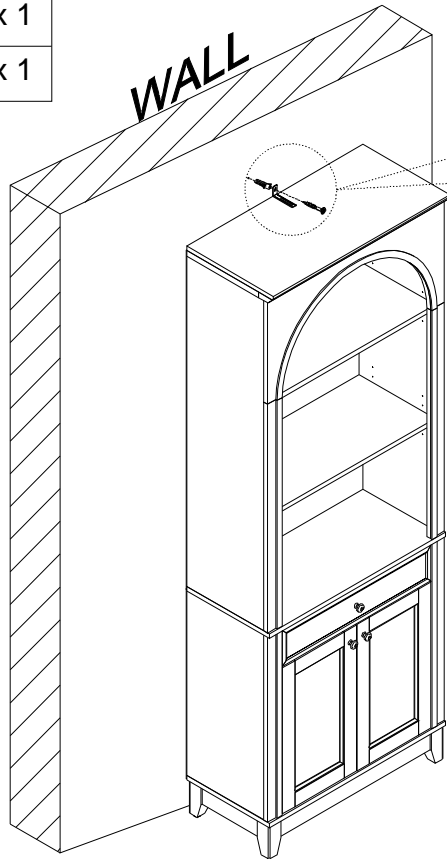
STEP 28

26		x 30
----	---	------

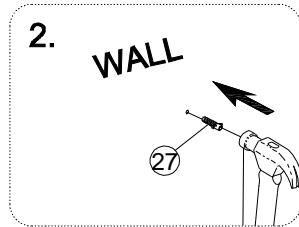


STEP 29

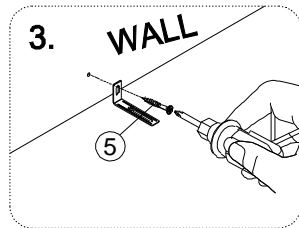
5		x 1
27		x 1



1. Align the L angle iron hole on the top plate and mark the position on the wall, and use an electric drill to make the hole.



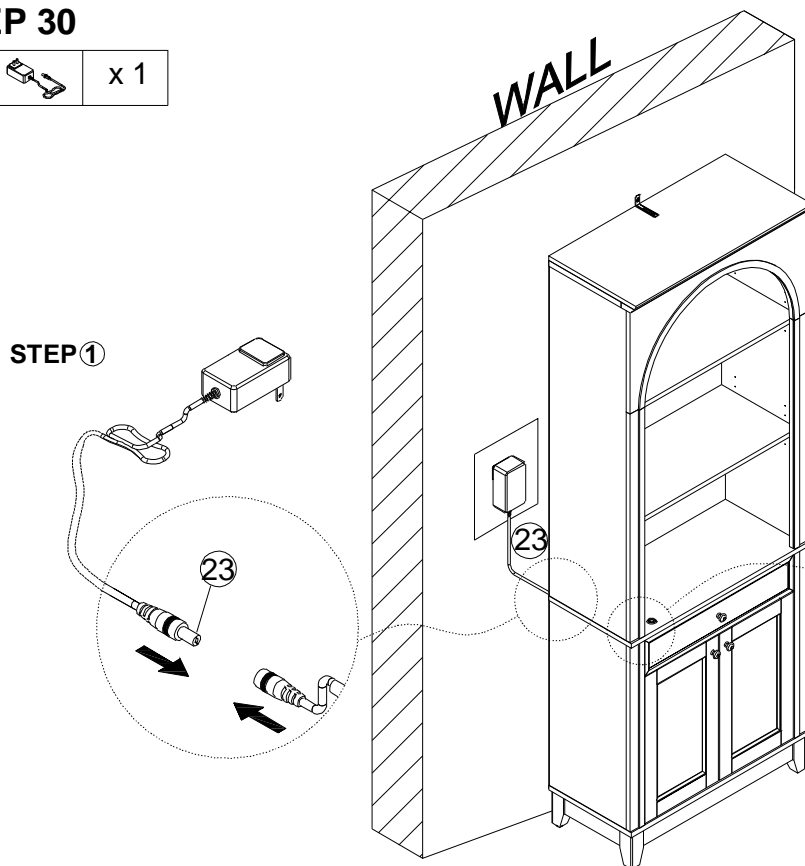
2. The corresponding hole position on the wall, the anchor (27) is hammered in.



3. The alignment of the L angle iron with the hole of the anchor(27) is tightened with a screwdriver using screw (5) .

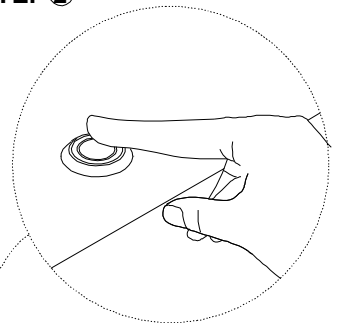
STEP 30

23		x 1
----	---	-----



STEP ①

STEP ②



LED Touch Switch

Warm light

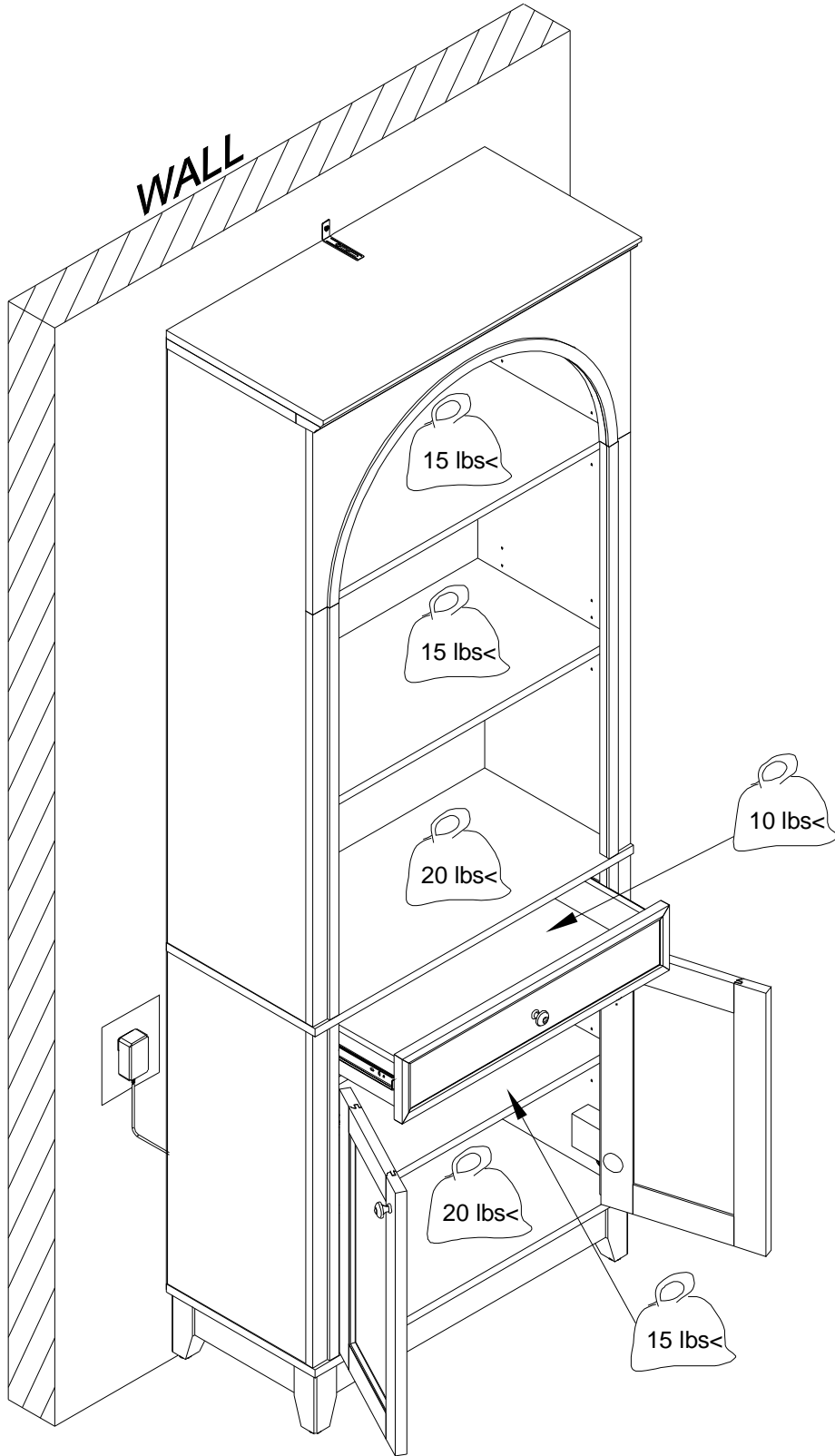
↓
Neutral light

↓
White light

↓
OFF

1. Connect the power adapter (23) and plug it into the socket to turn on the power, as shown in the figure.
2. Touch the LED switch button to change the color of the light, as shown on the right.

STEP 31



MAINTENANCE AND WARNING

- Keep furniture away from heat.
- Do not clean furniture with harsh cleansers or polish. Do not use detergents, Solvents, abrasives, spray packs or leather cleaner. Use non-color mild soap with warm water clean spills(Mix 1:10 soap to water)
- Do not place furniture under direct sunlight, material will possibly fade over time.
- Do not use on site dry Cleaning machine.
- Children should not climb or jump on the furniture.
- Do not write on furniture without a padded barrier to protect the surface.
- Not for commercial use, For residential use only.
- The maximum load is 100 LBS.

WARRANTY

We strive to offer high- quality products, and we also try our best to satisfy each and every customer that orders from us with product or service as needed. We provide 30 days warranty starting from the time you receive the item. Each customer must provide a record of their order such as the order number, or item receipt for any items that are out of the warranty period you may also still receive replacement parts by purchasing them with our company if they are available.

Are you having difficulty with assembly? Missing parts? Please send email with your order No to customerservice@hulalahome.com

For return, please check the return policy with the retailer or market place you bought from. Appreciate your purchasing from us. Pop up your life by our furniture piece!