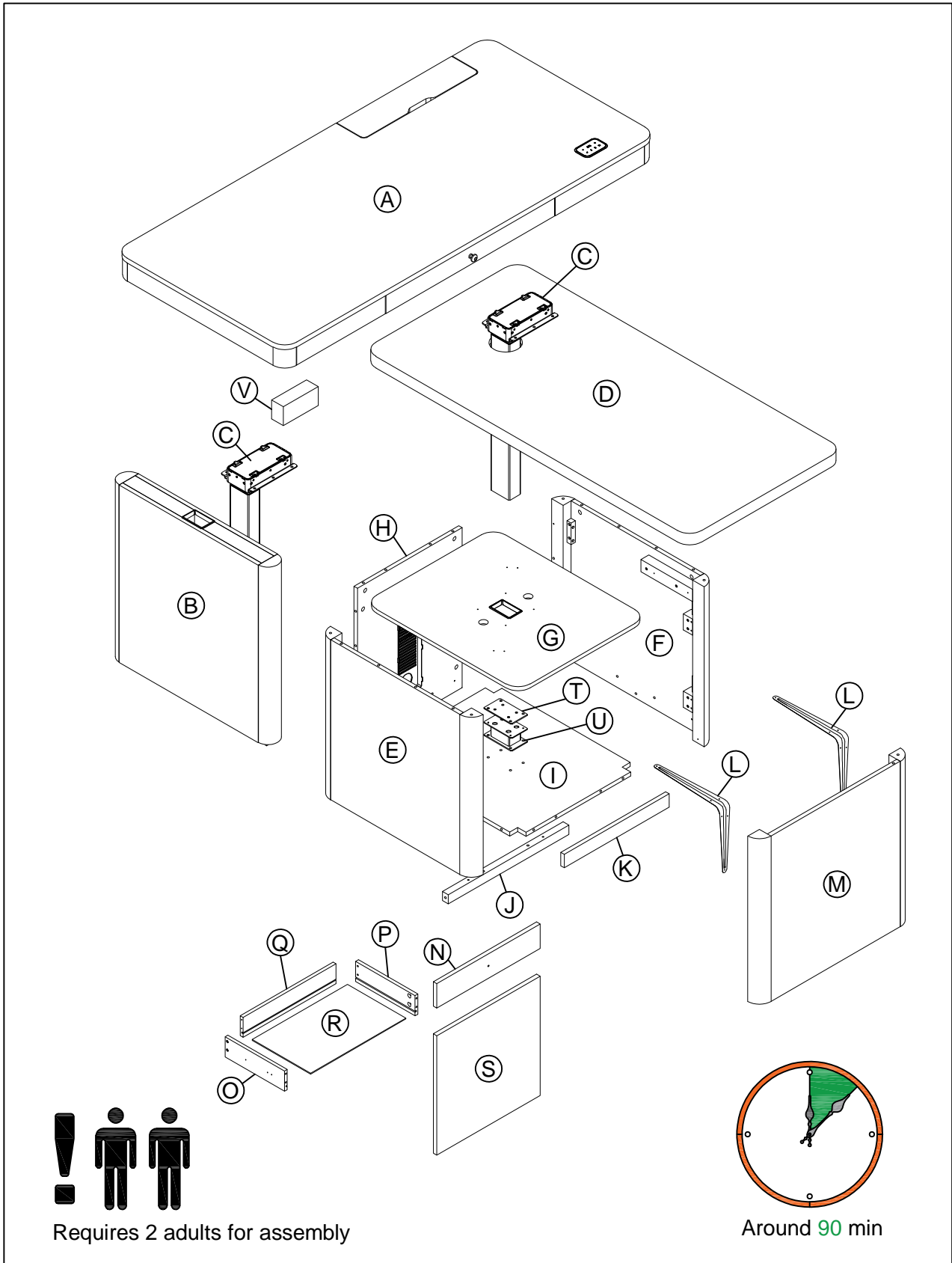


ITEM NO. Z6DKGR0520

Thank you for purchasing this Writing Desk.

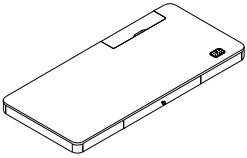
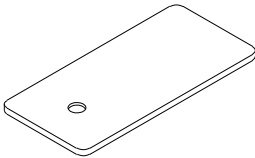
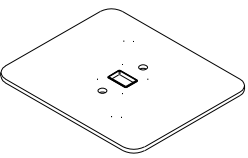
Please read the instructions and warnings carefully before use, to ensure safe and satisfactory operation of this product. At HULALA home we are committed to making great products possible. From our in-house Design Team, to our Buyers, we work together to bring great designs to life. Our expert Product Technologists work collaboratively with our buyers and suppliers to assure the legality, safety and quality of the product we sell. We are all committed to designing and developing products to the highest industry standards. We hope you are happy with your product and welcome any feedback or comments you may have.

Exploded Diagram

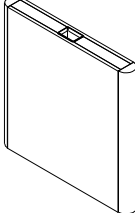
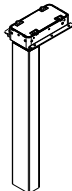
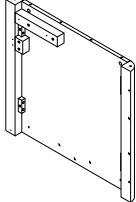
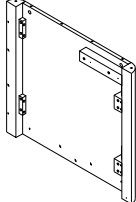
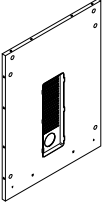
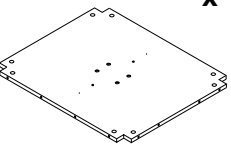
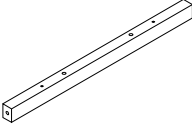
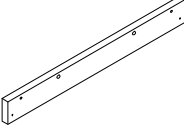
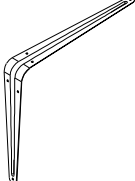
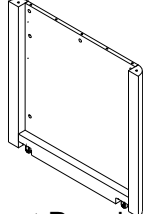
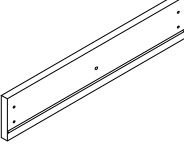
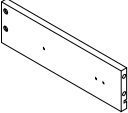
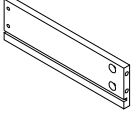
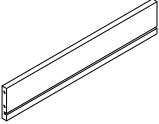
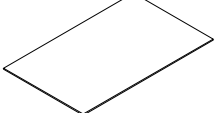
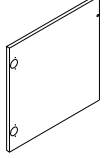
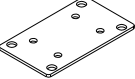
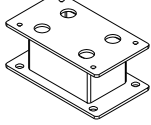
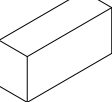


Ensure you check all packing materials carefully for small parts, which may have shifted during shipment. Assembly is estimated to take approximately 90 minutes.


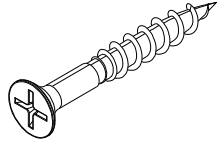
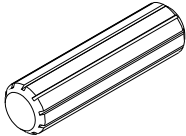
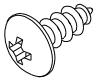

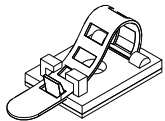
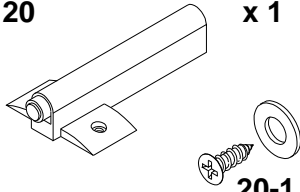
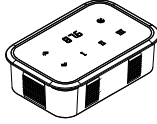
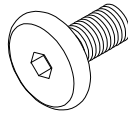
PARTS LIST (Carton A)

<p>A  x 1</p> <p>Top Panel</p>	<p>D  x 1</p> <p>Lower Top Panel</p>	<p>G  x 1</p> <p>Middle Panel</p>	
---	---	---	--

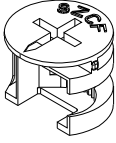
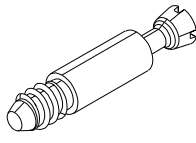
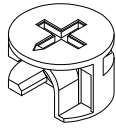
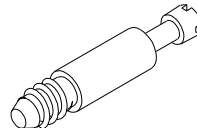
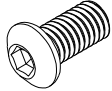
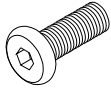
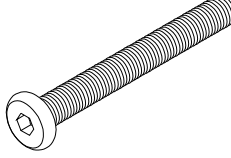
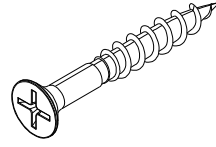
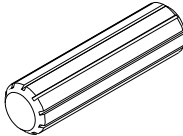
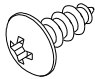
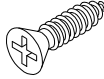
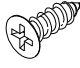
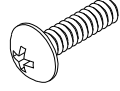
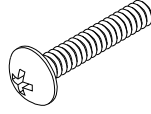
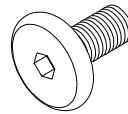
PARTS LIST (Carton B)

<p>B  x 1</p> <p>Foot Box</p>	<p>C  x 2</p> <p>Motor Column</p>	<p>E  x 1</p> <p>Left Side Panel</p>	<p>F  x 1</p> <p>Right Side Panel</p>
<p>H  x 1</p> <p>Back Panel</p>	<p>I  x 1</p> <p>Bottom Panel</p>	<p>J  x 1</p> <p>Support Strip</p>	<p>K  x 1</p> <p>Front Cross Rail</p>
<p>L  x 2</p> <p>Support Frame</p>	<p>M  x 1</p> <p>Side Foot Panel</p>	<p>N  x 1</p> <p>Drawer Front Panel</p>	<p>O  x 1</p> <p>Drawer Left Side Panel</p>
<p>P  x 1</p> <p>Drawer Right Side Panel</p>	<p>Q  x 1</p> <p>Drawer Back Panel</p>	<p>R  x 1</p> <p>Drawer Bottom Panel</p>	<p>S  x 1</p> <p>Door</p>
<p>T  x 1</p> <p>Bottom Iron Plate</p>	<p>U  x 1</p> <p>Bottom Support Iron</p>	<p>V  x 1</p> <p>Clamp Block</p>	

HARDWARE LIST (Carton B)

<p>1 x 21</p>  <p>Big Cam Lock</p>	<p>2 x 21</p>  <p>Big Cam Bolt</p>	<p>3 x 4</p>  <p>Small Cam Lock</p>	<p>4 x 4</p>  <p>Small Cam Bolt</p>
<p>5 x 16</p>  <p>Bolt 1/4"x12mm</p>	<p>6 x 4</p>  <p>Bolt M6x20mm</p>	<p>7 x 4</p>  <p>Bolt M6x45mm</p>	<p>8 x 6</p>  <p>Screw Ø4*38mm</p>
<p>9 x 30</p>  <p>Wood Dowel Ø8x30mm</p>	<p>10 x 34</p>  <p>Roun Head Screw Ø3.5x12mm</p>	<p>11 x 2</p>  <p>Ball Bearing Slide Rail</p>	<p>12 x 2</p>  <p>Connect Iron Plate</p>
<p>13 x 4</p>  <p>Flat Head Screw Ø3.5x14mm</p>	<p>14 x 2</p>  <p>Door Hinges</p>	<p>15 x 4</p>  <p>Flat Head Screw Screw Ø3x12mm</p>	<p>16 x 2</p>  <p>Cable Clip</p>
<p>17 x 2</p>  <p>Handle</p>	<p>18 x 1</p>  <p>Bolt For Handle M4x25mm</p>	<p>19 x 1</p>  <p>Bolt For Handle M4x32mm</p>	<p>20 x 1</p>  <p>Rebound device</p> <p>20-1</p>
<p>21 x 1</p>  <p>Plastic Clasp</p>	<p>22 x 1</p>  <p>Turntable</p>	<p>23 x 2</p>  <p>Wheel</p>	<p>24 x 1</p>  <p>Control Box</p>
<p>25 x 1</p>  <p>Wrench 4*28*150mm</p>	<p>26 x 1</p>  <p>Wrench 4*80*80mm</p>	<p>27 x 8</p>  <p>Big Head Bolt 1/4"x 12mm</p>	<p>28 x 1</p>  <p>Screwdriver</p>

SPARE LIST

1	x 2	2	x 2	3	x 1	4	x 1
							
Big Cam Lock		Big Cam Bolt		Small Cam Lock		Small Cam Bolt	
5	x 2	6	x 1	7	x 1	8	x 1
							
Bolt 1/4"x12mm		Bolt M6x20mm		Bolt M6x45mm		Screw Ø4*38mm	
9	x 3	10	x 3	13	x 1	15	x 1
							
Wood Dowel Ø8x30mm		Roun Head Screw Ø3.5x12mm		Flat Head Screw Ø3.5x14mm		Flat Head Screw Screw Ø3x12mm	
18	x 1	19	x 1	27	x 1		
							
Bolt For Handle M4x25mm		Bolt For Handle M4x32mm		Big Head Bolt 1/4"x 12mm			

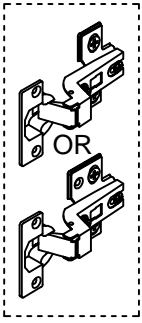
Before your installation, please make sure that you have all the parts listed on the manual. If you find something missing, stop installing and contact your supplier immediately.

NOTE: Please do not completely tighten all the hardware until the entire assembly is completed! Be sure to tighten all the hardware once the assembly completed.

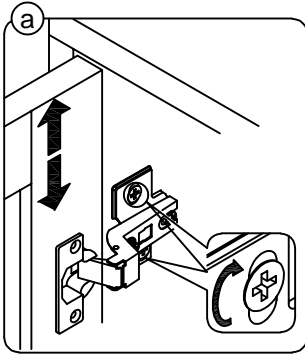
NOTE:Should be assembled on soft surface to keep balance.

IF HAVE THIS ACCESSORY

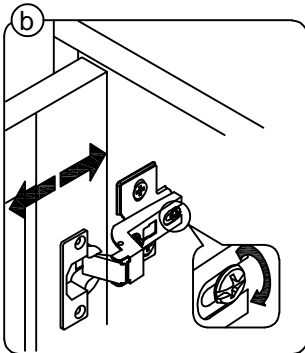
NOTE DIFFERENT MODELS



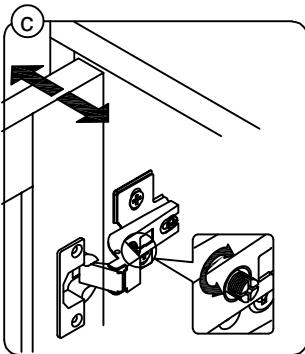
It may be necessary to adjust the hinges so that the doors align. Use the instructions below as a guide.



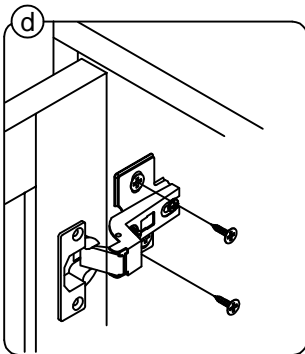
To adjust the door vertically loosen the screw as shown and move up and down as needed.



To adjust the gap from the door to the main frame turn the screw clockwise or anti-clockwise as needed.

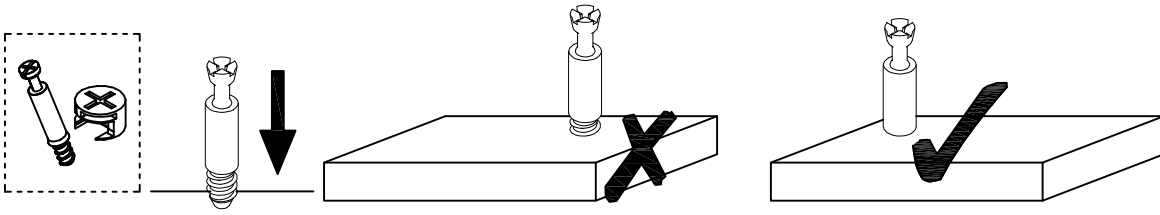


To adjust the door laterally adjust the screw as shown by turning clockwise or anti-clockwise.

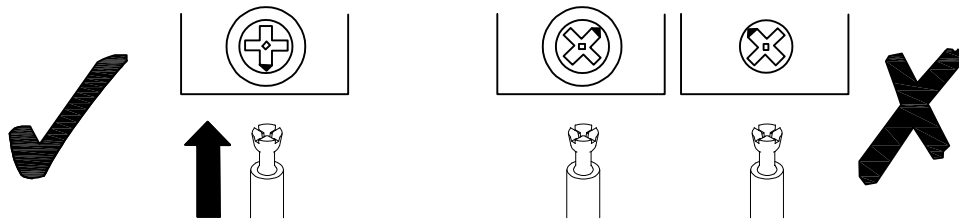


Please fix other screws.

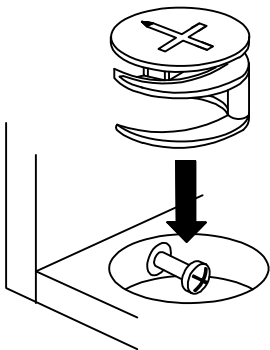
IF HAVE THIS ACCESSORY



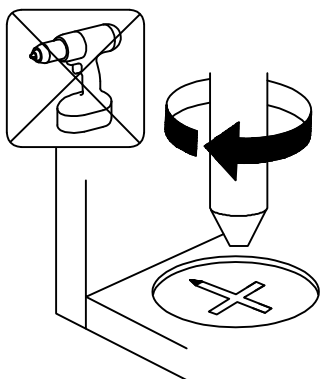
QUICKFIT: Tighten quickfit until shoulder is flush with panel. Do not overtighten or undertighten.



CAM LOCK: When fitting cam lock, ensure starting position is correct before you insert connecting quickfit.





Quickfit head should be in the centre of the cam lock when the two panels are joined.

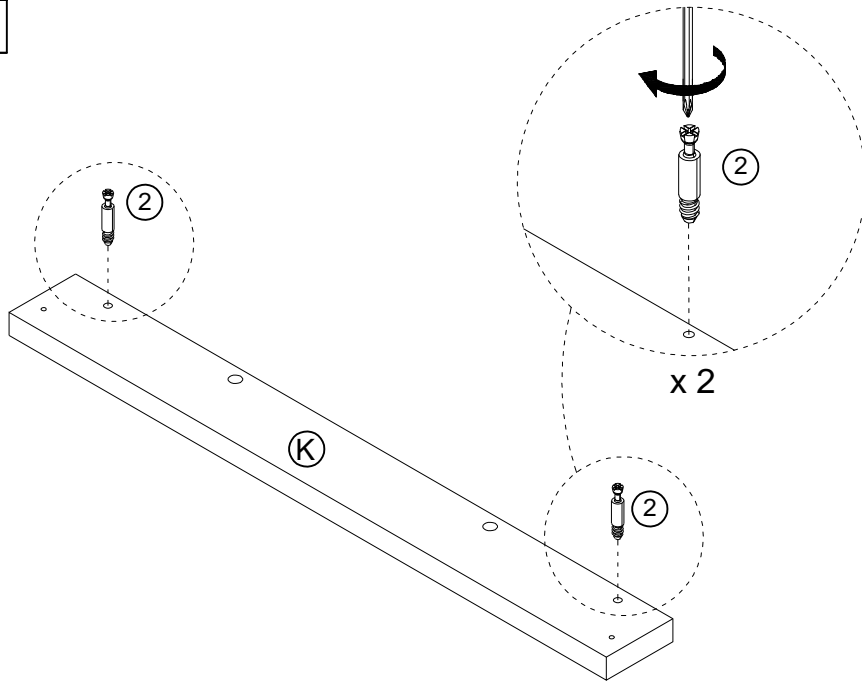


Turn cam lock clockwise to tighten.

ASSEMBLY INSTRUCTION



STEP 1

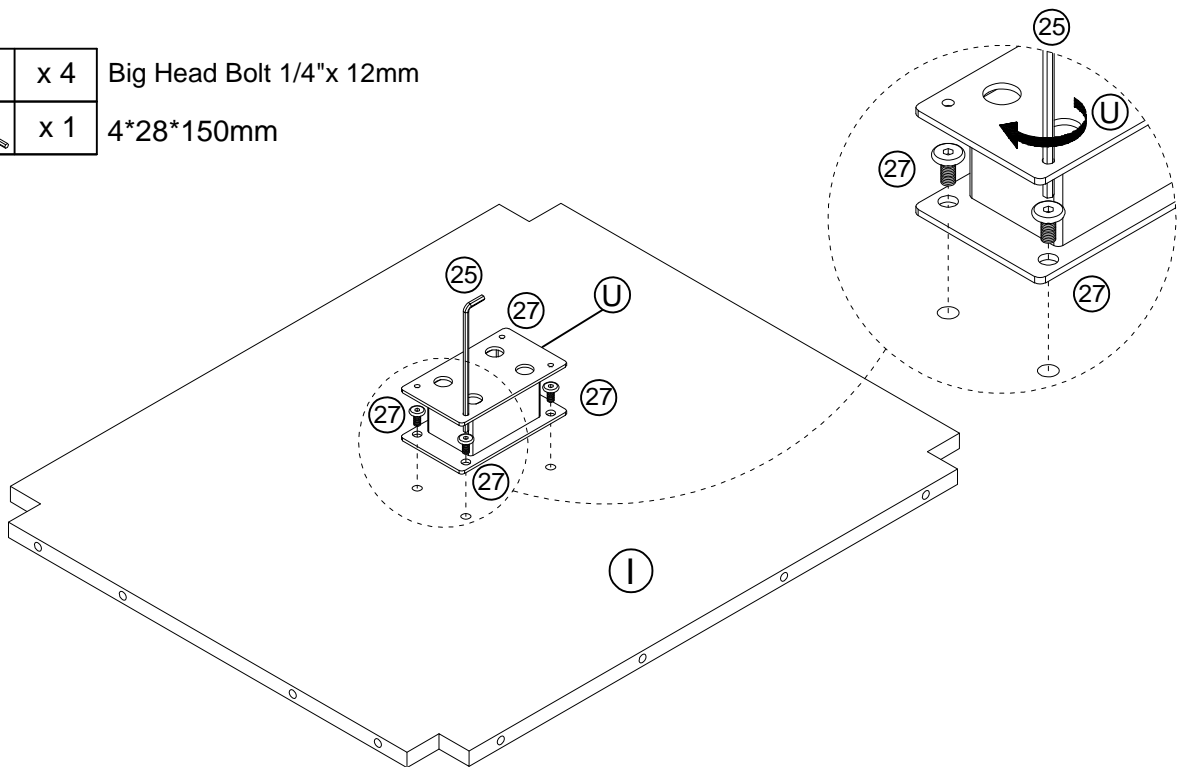
2		x 2
28		x 1



Using a screwdriver (28), insert the cam bolts (2) into the front cross rail (K) of tighten .


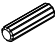
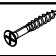
STEP 2

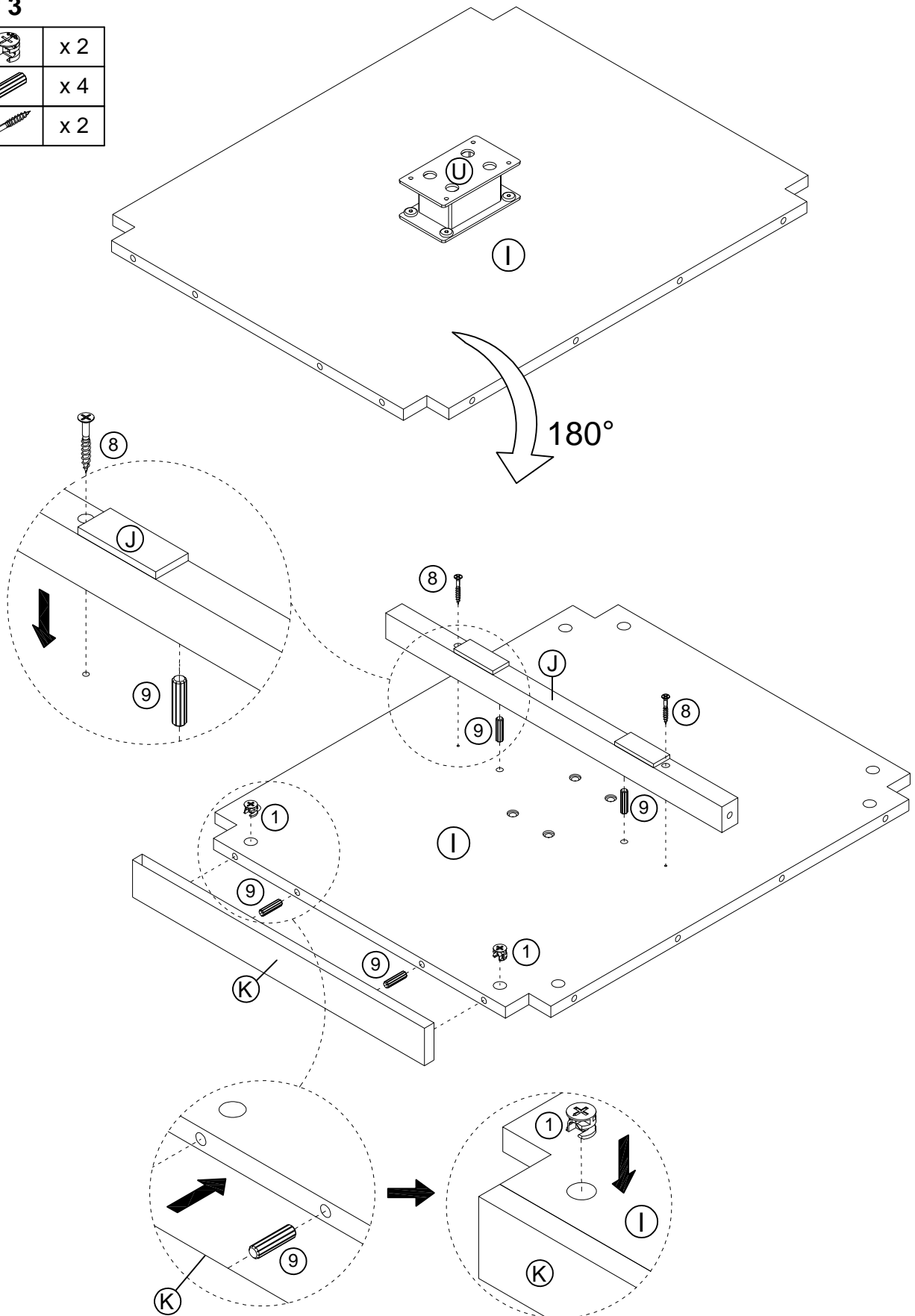
27		x 4	Big Head Bolt 1/4"x 12mm
25		x 1	4*28*150mm



Attach the bottom support iron (U) to the bottom panel (I) using bolts (27), and tighten with the wrench (25).


STEP 3

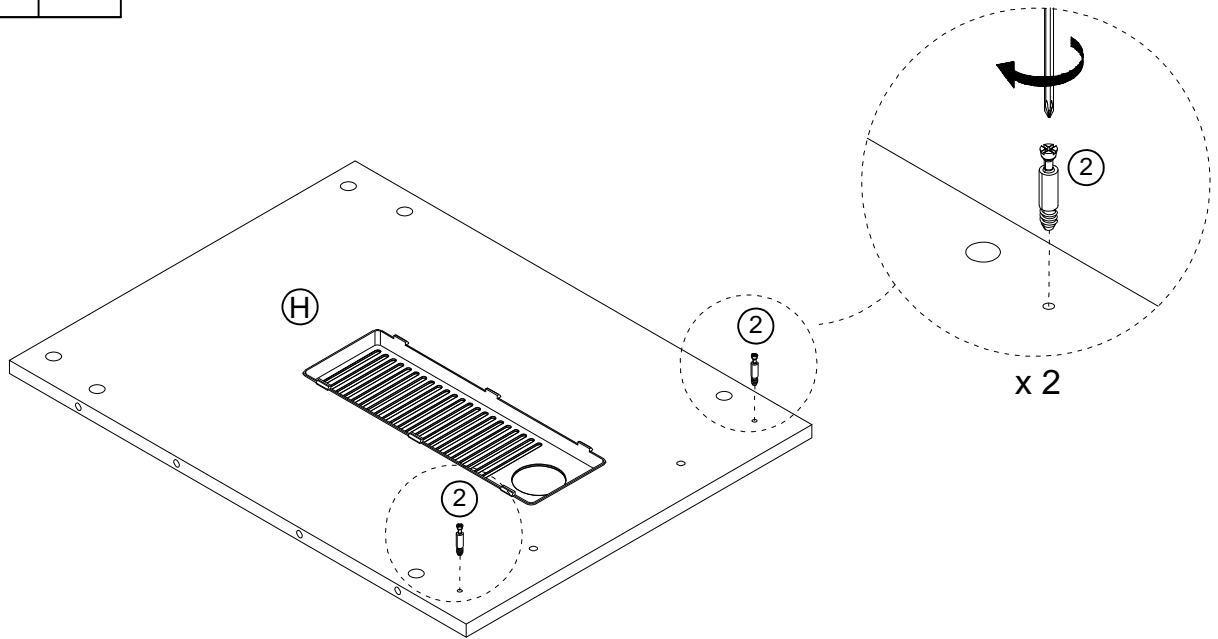
1		x 2
9		x 4
8		x 2



1. Insert the support strip (J) into the wood dowels (9) and tighten the screw (8) with a screwdriver.
2. Insert the wood dowels (9) into front cross rail (K) and connect it to the bottom panel (I), then insert the CAM lock (1) and tighten it with a screwdriver.



STEP 4

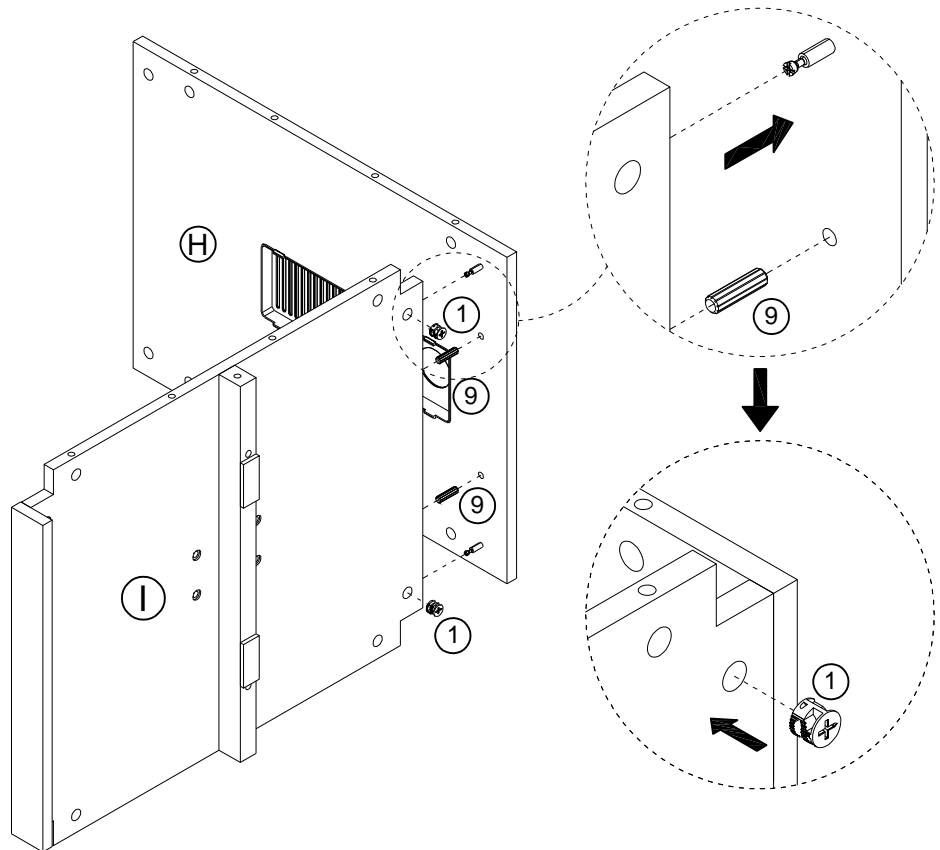
2		x 2
---	---	-----



Use a screwdriver to insert cam bolts(2) into back panel (H).

STEP 5

1		x 2
9		x 2

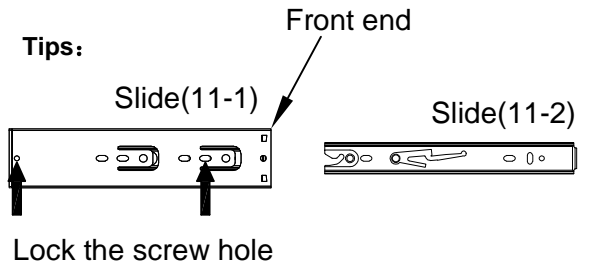
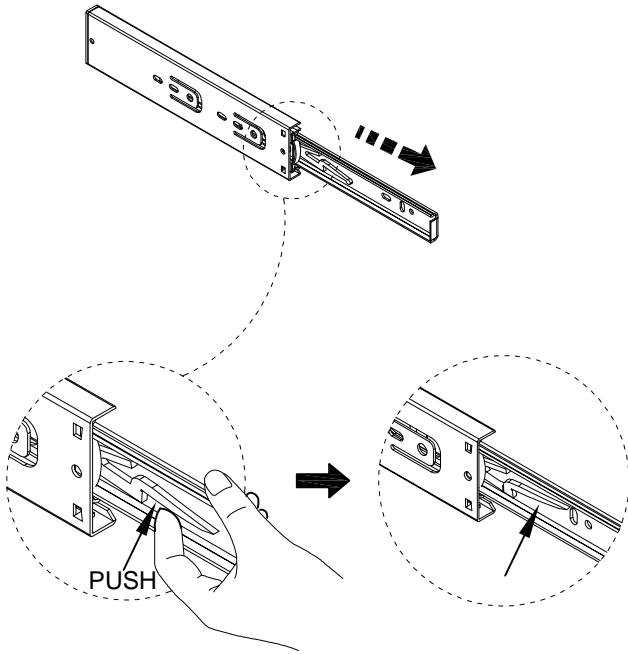


Insert the wood dowels (9) into the holes of the back panel (H) and bottom panel (I) as shown. Then, insert the cam lock (1) and tighten it with a screwdriver.





STEP 6

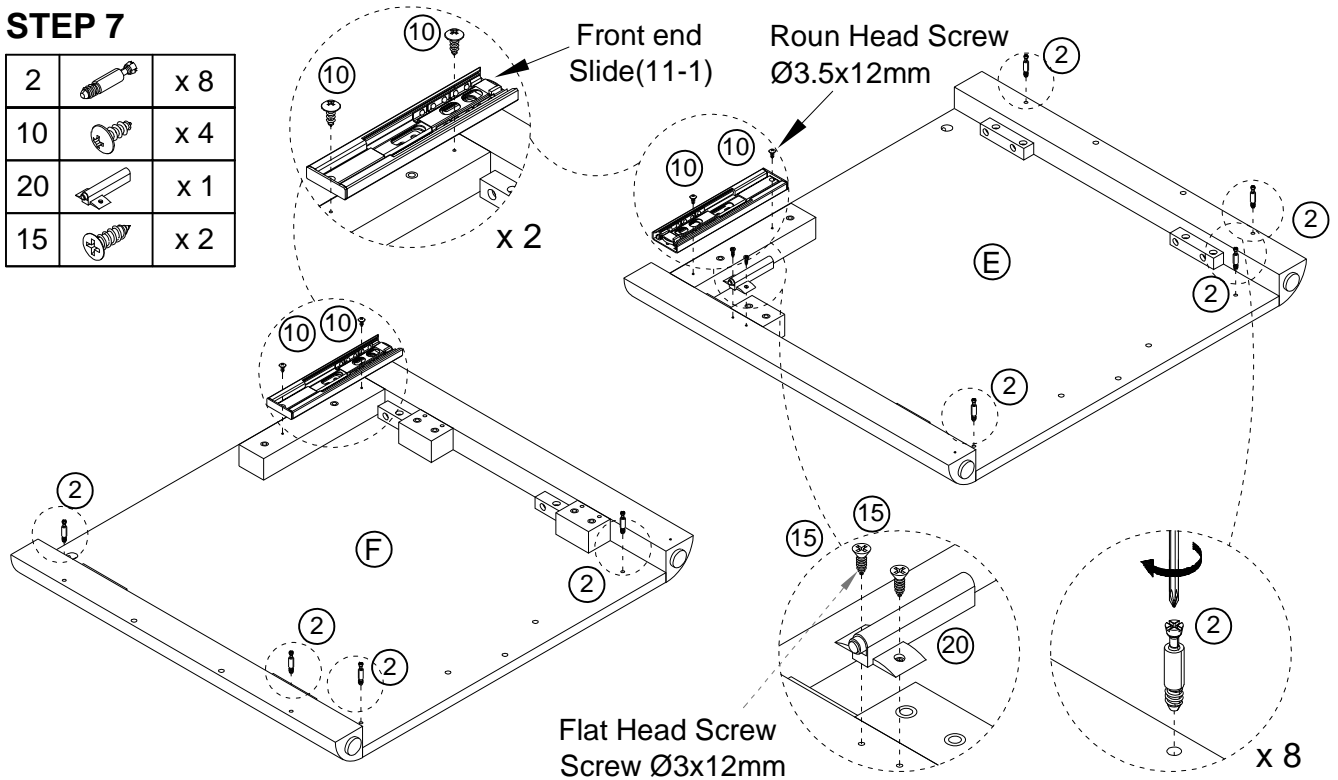
11		x 2
----	---	-----

Note:
Remove the slide rails (11-1) and (11-2) in steps as shown in the lower left picture.





STEP 7

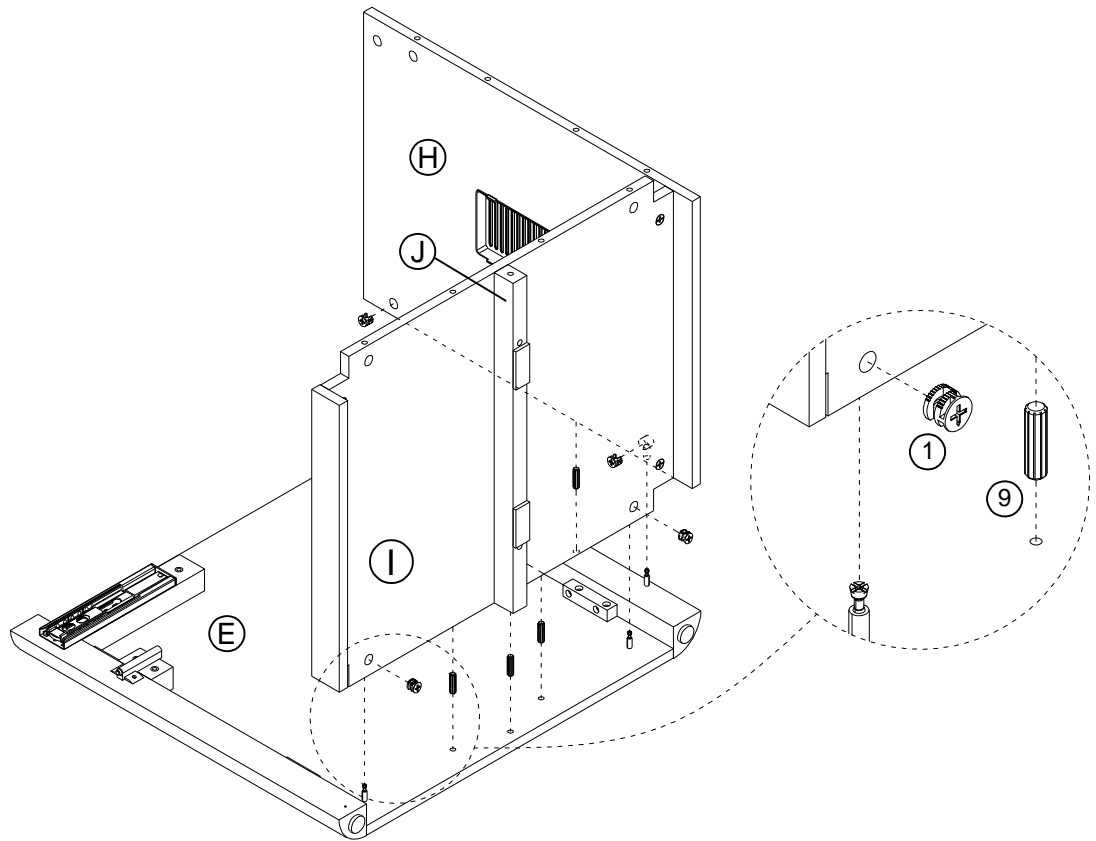
2		x 8
10		x 4
20		x 1
15		x 2



1. Use a screwdriver to insert cam bolts(2) into left side panel (E) and right side panel(F).
2. Install slide rails on left side panel(E) and right side panel(F) using round head screws (10).
3. Use flat head screws (15) to install part (20) onto left side panel (E).



STEP 8

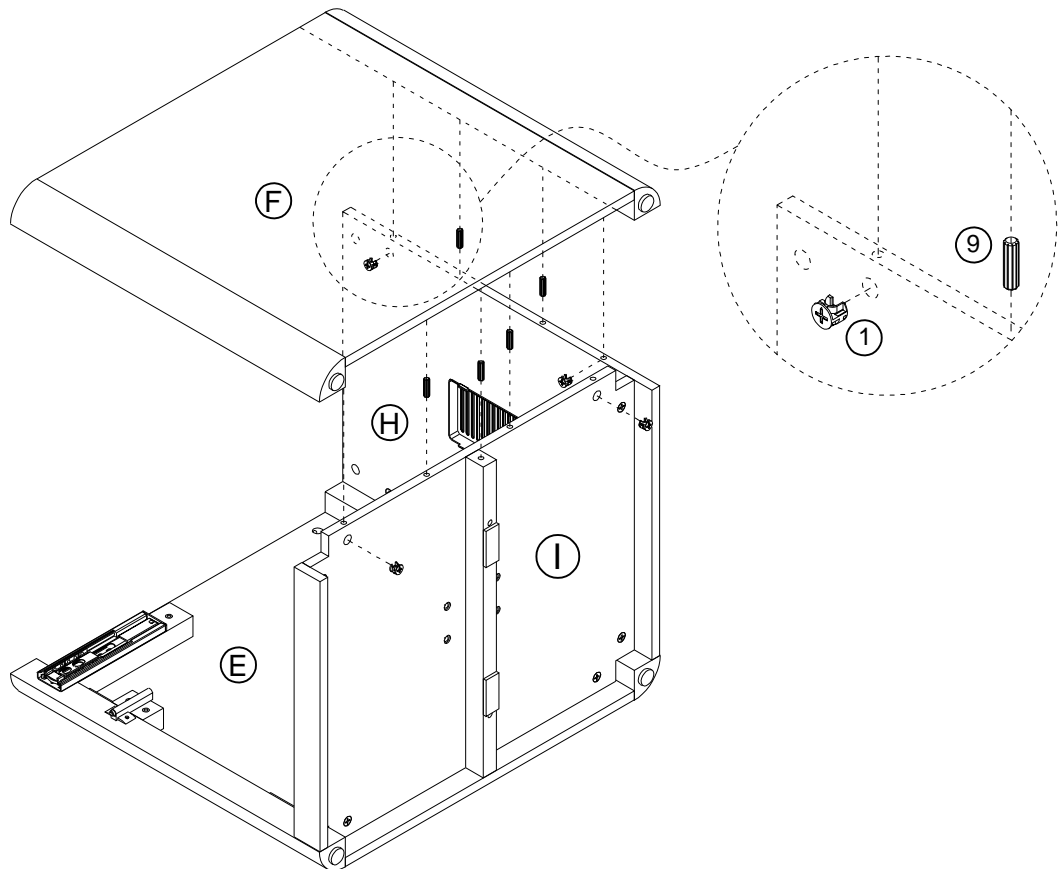
1		x 4
9		x 5



Install back panel (H) & bottom panel (I) to left side panel (E) using cam lock (1), wood dowels (9) as shown in the figure.



STEP 9

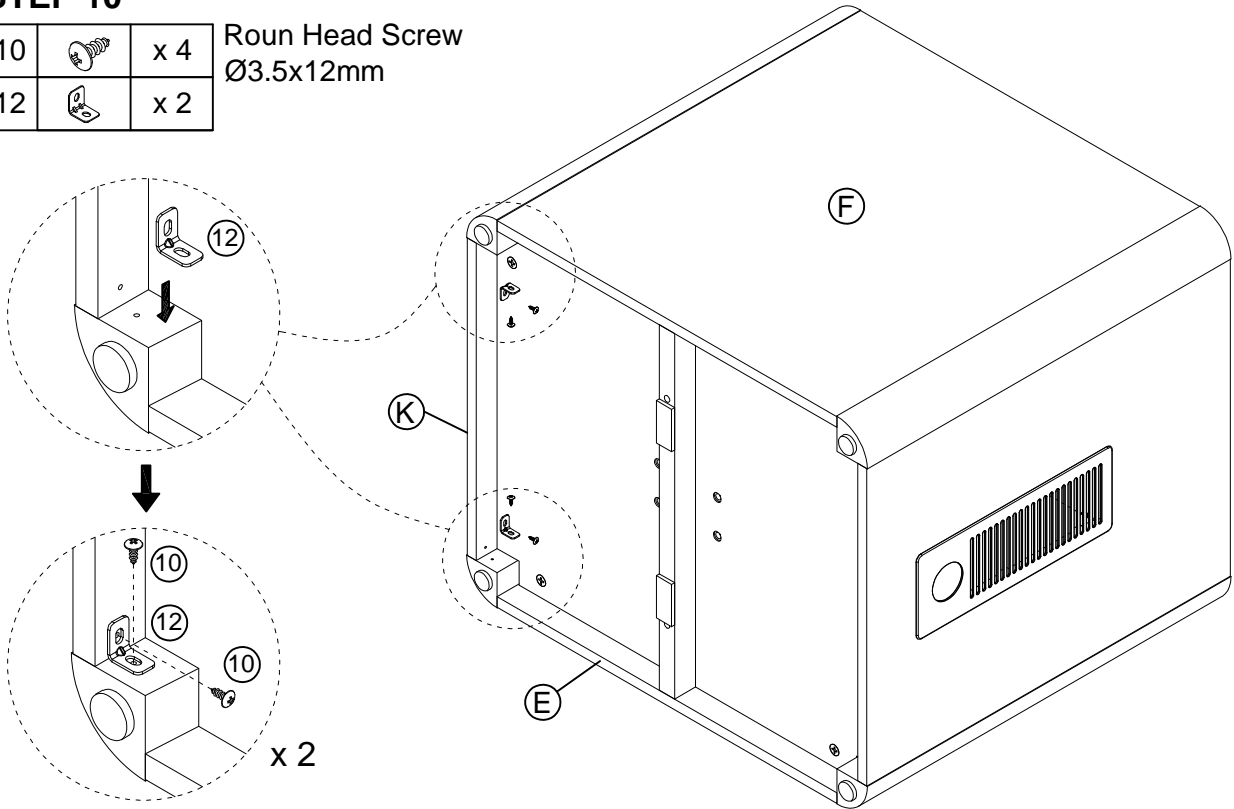
1		x 4
9		x 5



Install back panel (H) & bottom panel (I) & left side panel (E) to right side panel (F) using cam lock (1), wood dowels (9), as shown in the figure.


STEP 10

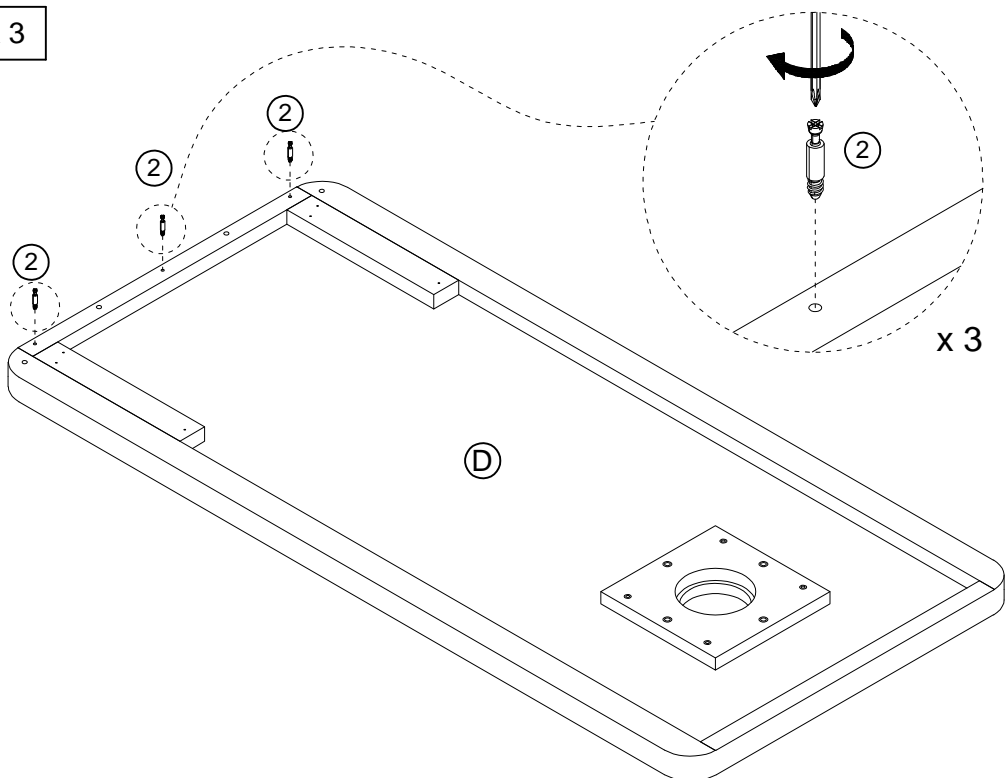
10		x 4	Round Head Screw Ø3.5x12mm
12		x 2	



The connect iron plate (12) connects the front cross rail (K) of the bottom panel to the left side panel (E) and the right side panel (F).



STEP 11

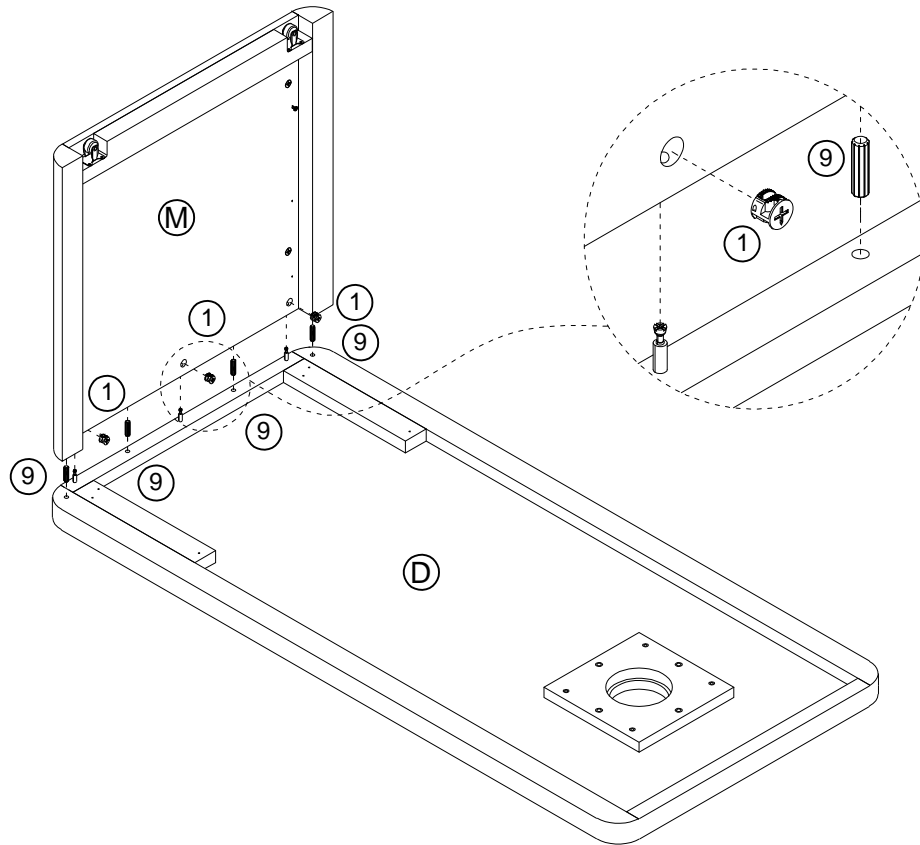
2		x 3
---	---	-----



Use a screwdriver to insert cam bolts(2) into lower top panel (D).


STEP 12

1		x 3
9		x 4

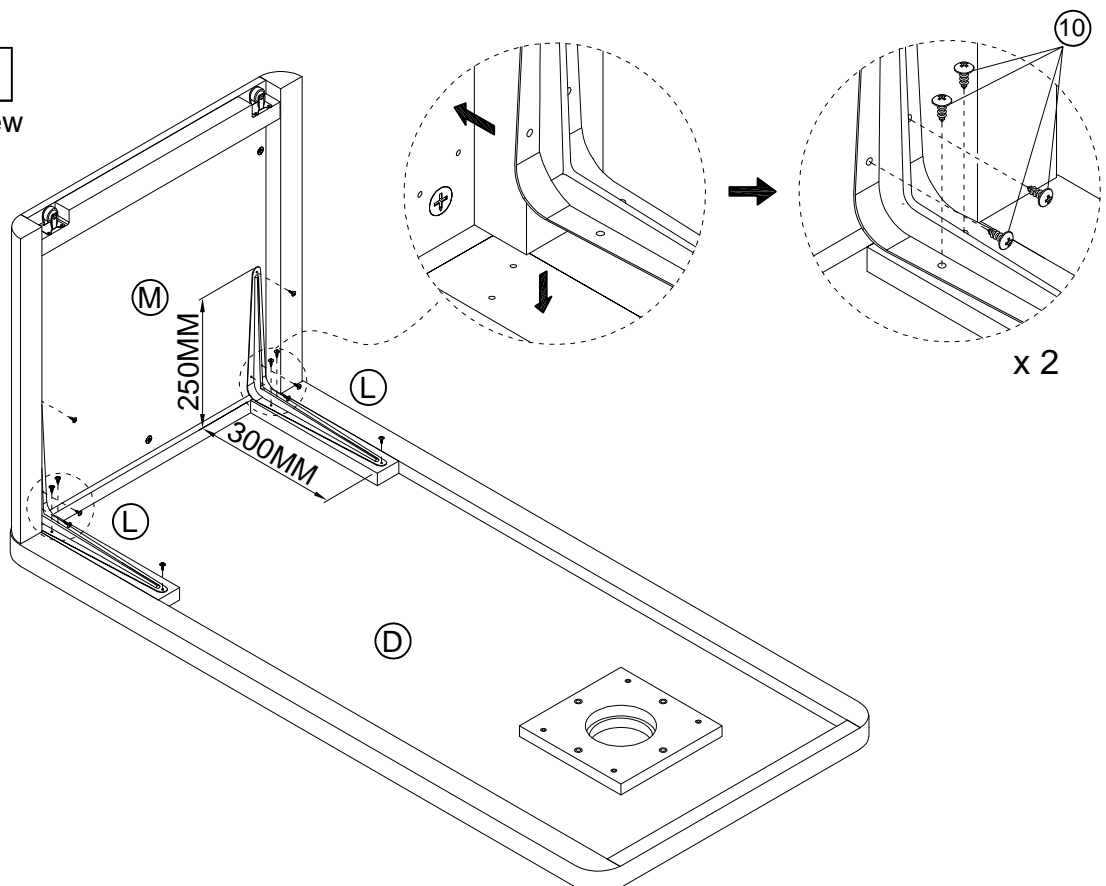


Install side foot panel (M) to lower top panel (D) using cam lock (1) tighten with a screwdriver , As shown.

STEP 13




10		x 12
----	---	------

Round Head Screw
Ø3.5x12mm

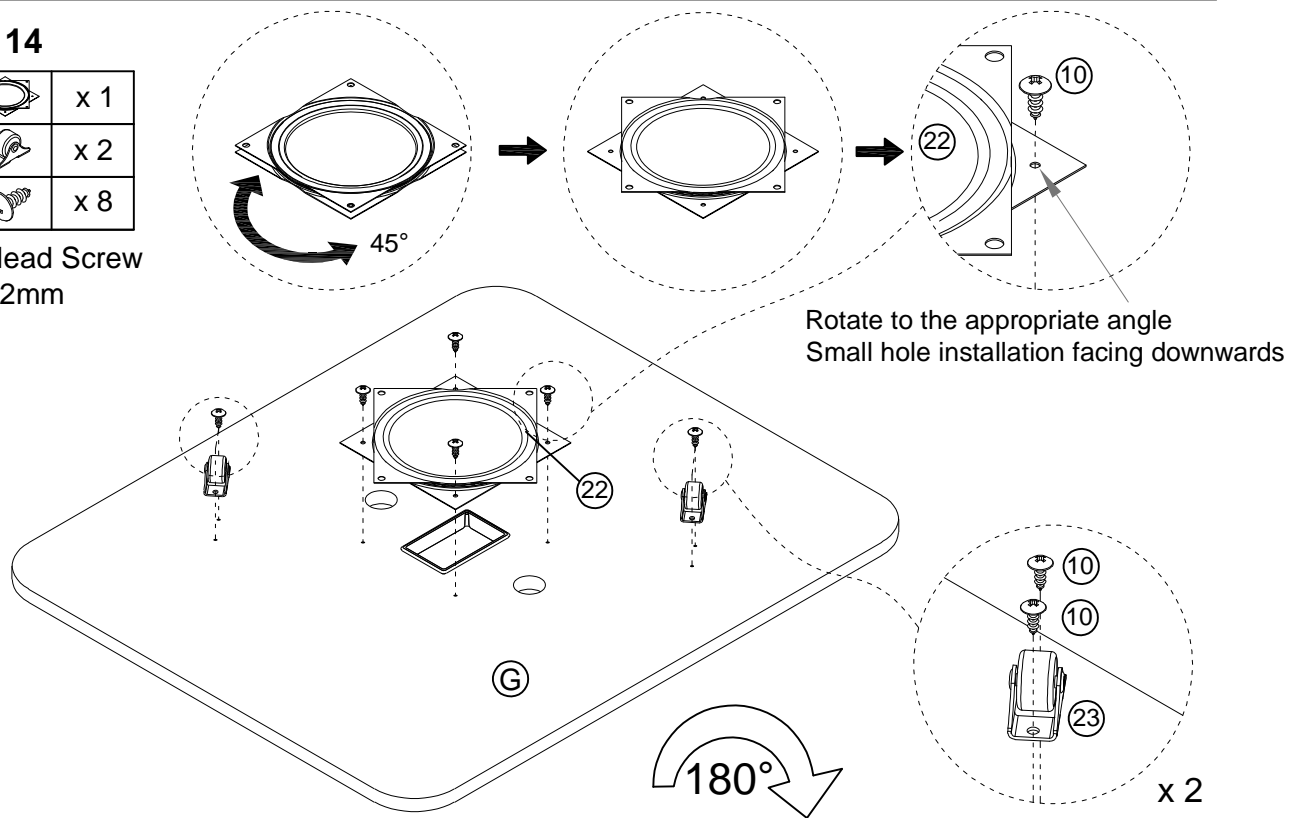


Align support frame (L) to side foot panel (M)&lower top panel (D) using round head screws (10).

STEP 14

22		x 1
23		x 2
10		x 8

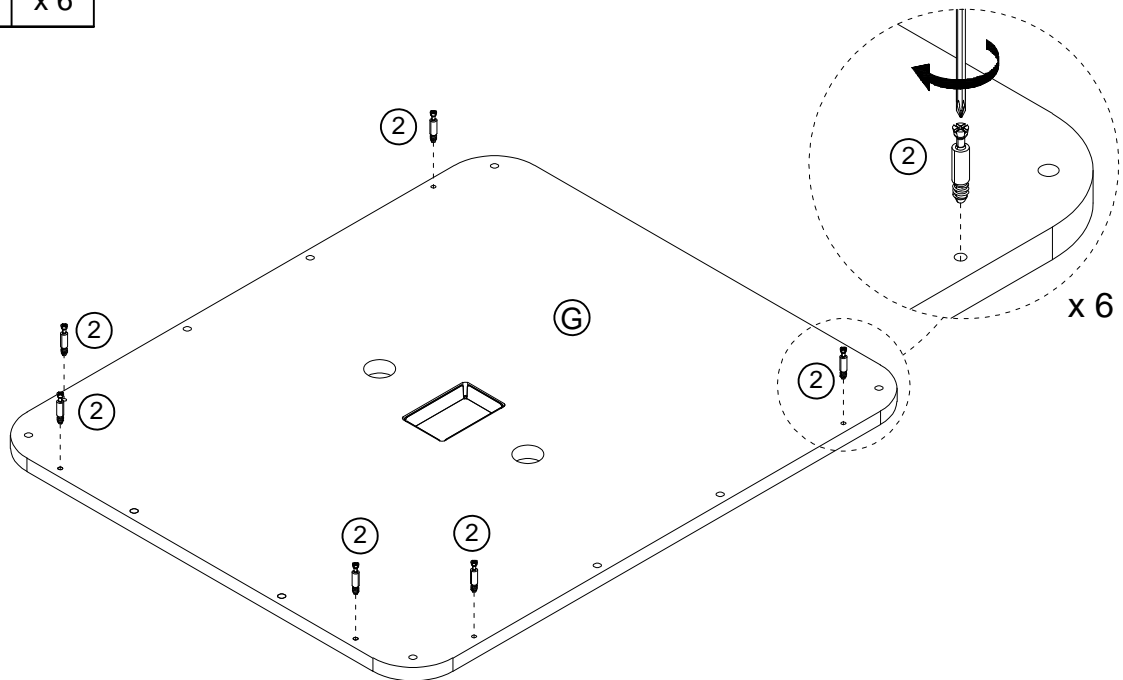
Roun Head Screw
Ø3.5x12mm



1. Rotate the turntable (22) 45° and secure it to the middle panel (G) using screw (10).
2. Attach the wheel (23) to the middle panel (G) using screws (10).
3. Once the turntable and wheels are secured, flip the assembly 180° to proceed to the next step.



STEP 15

2		x 6
---	---	-----

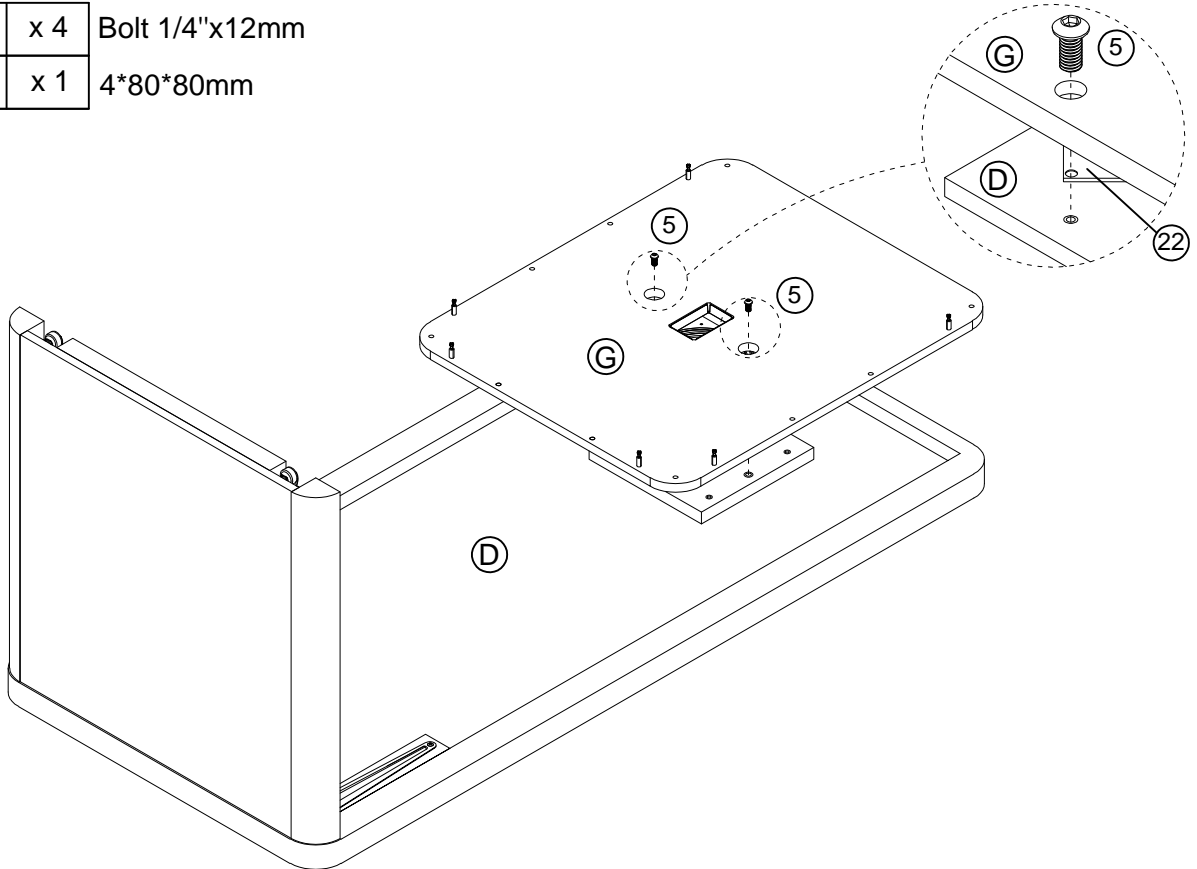


Use a screwdriver to insert cam bolts(2) into middle panel (G).

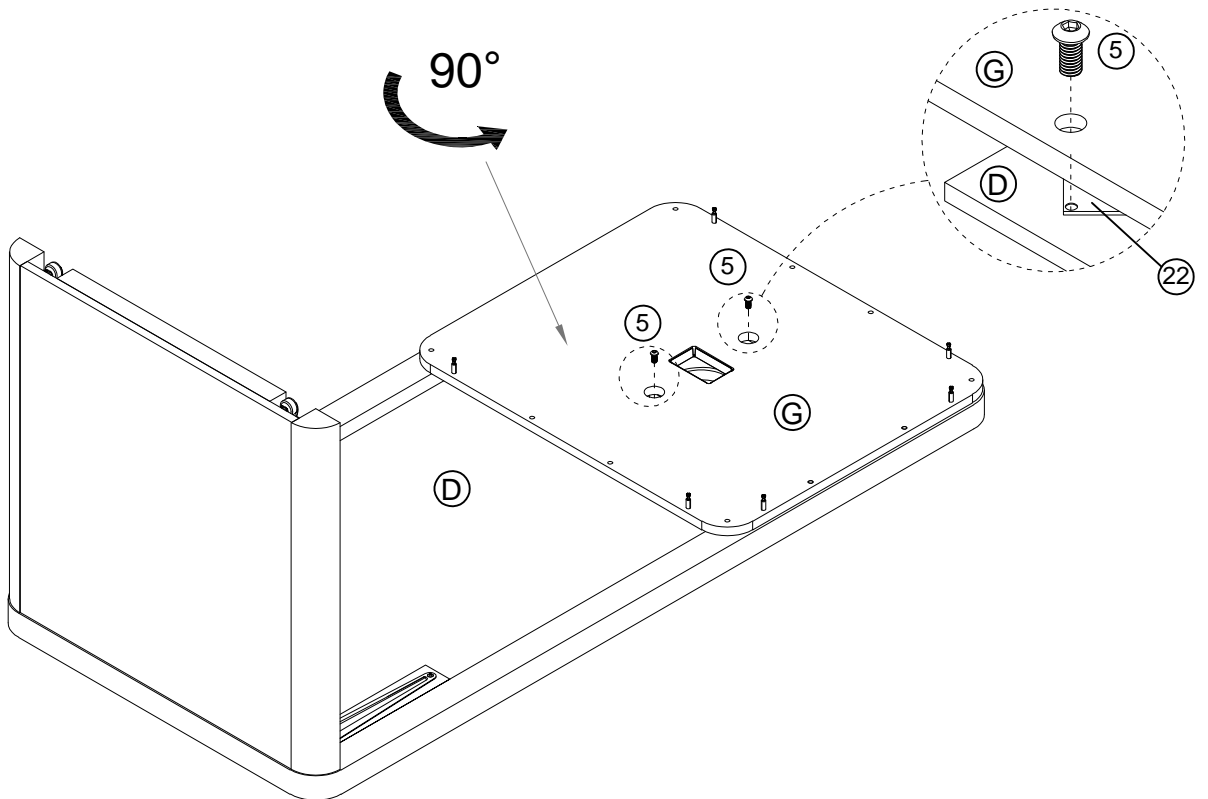
STEP 16

5		x 4	Bolt 1/4"x12mm
26		x 1	4*80*80mm

STEP ①





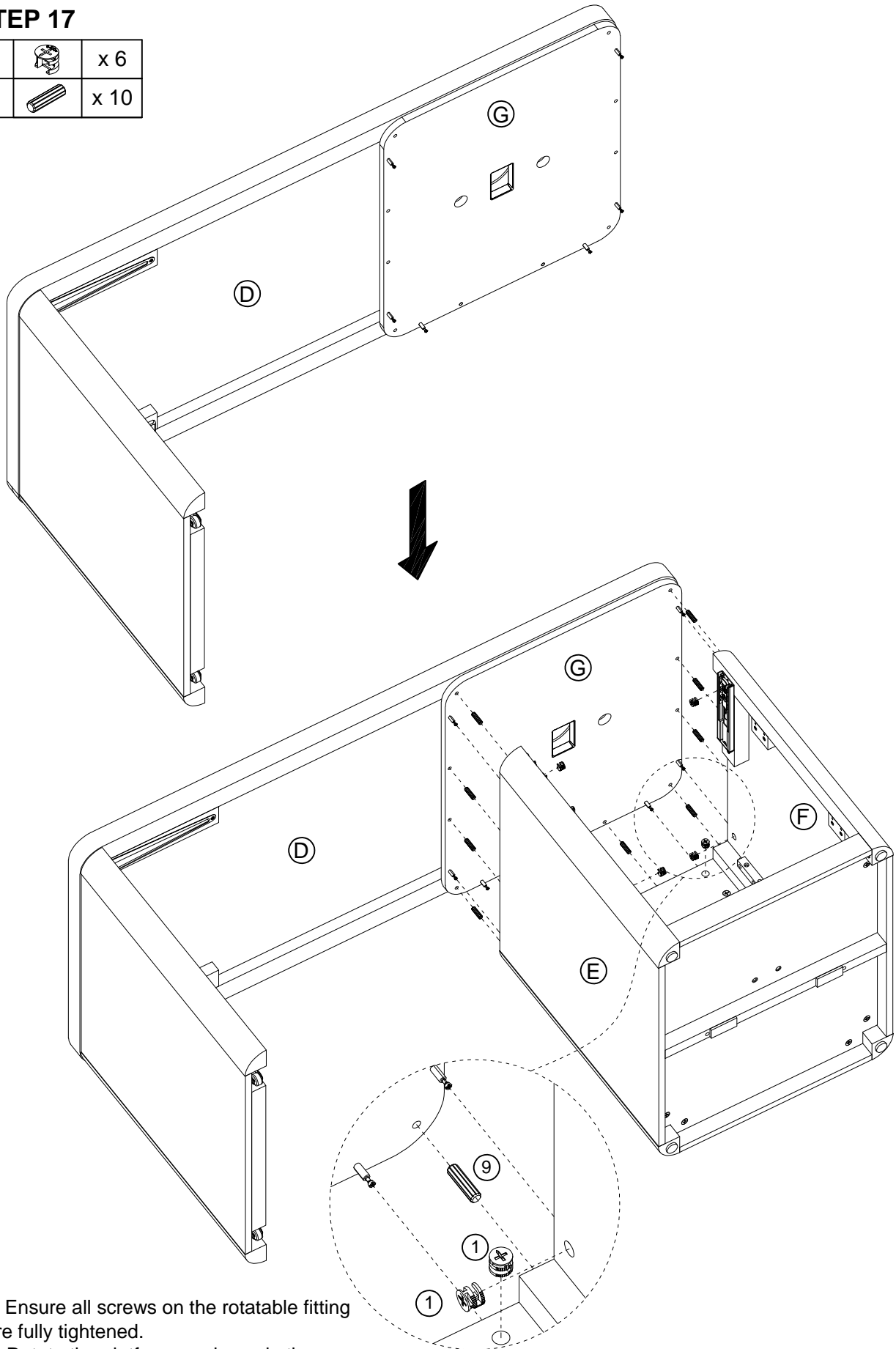
STEP ②



1. Rotate the turntable (22) and lock it onto lower top panel (D) through the circular hole on the middle panel (G) using bolt (5).
2. After securing the screws, rotate the panel approximately 90 degrees. Once the holes are visible, tighten the bolt (5) again to ensure a secure fit.

STEP 17

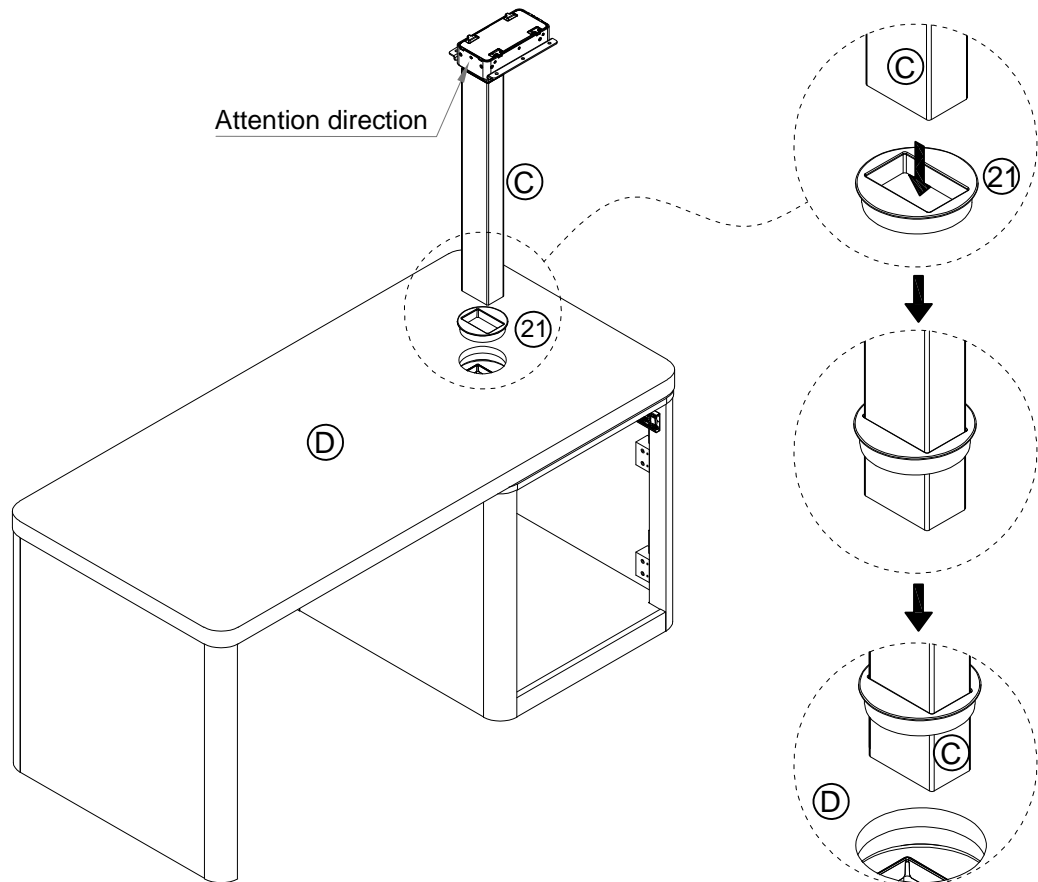
1		x 6
9		x 10



1. Ensure all screws on the rotatable fitting are fully tightened.
2. Rotate the platform as shown in the diagram to facilitate further assembly.



STEP 18

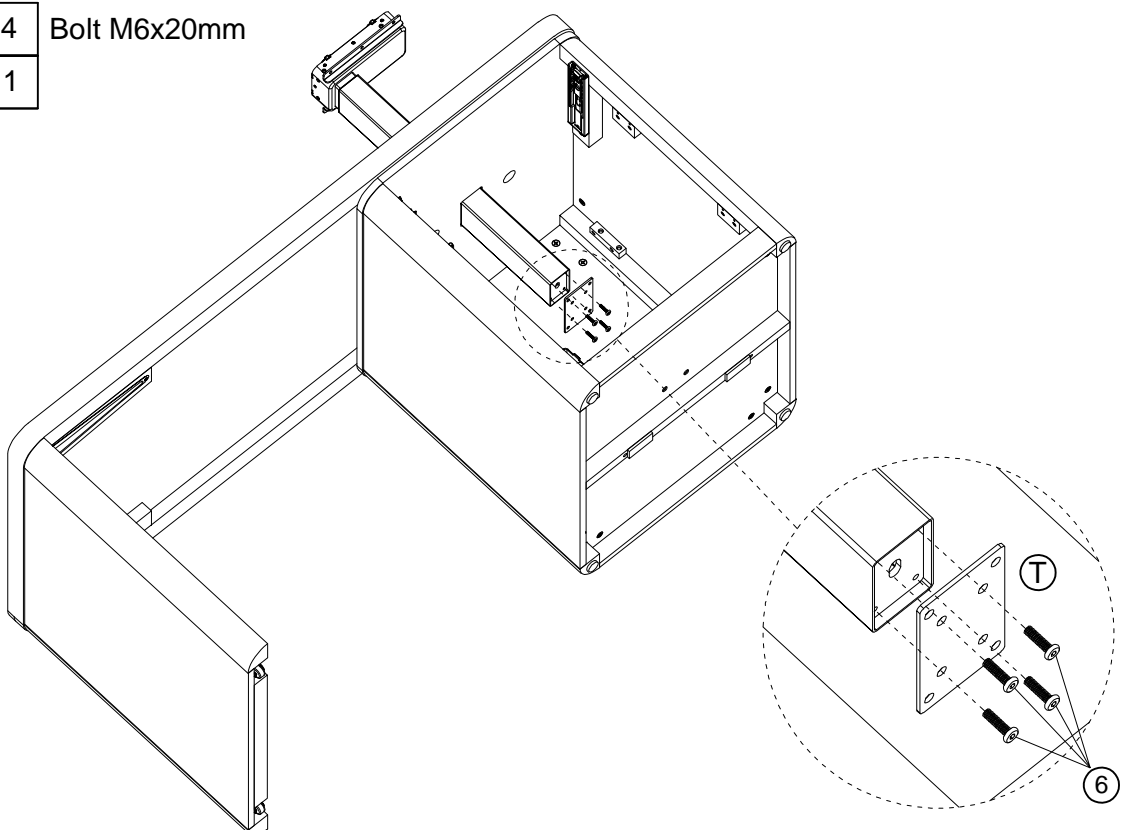
21		x 1
----	---	-----



Firstly, install component (21) into motor column (C) , and then install motor column (C) into lower top panel (D).



STEP 19

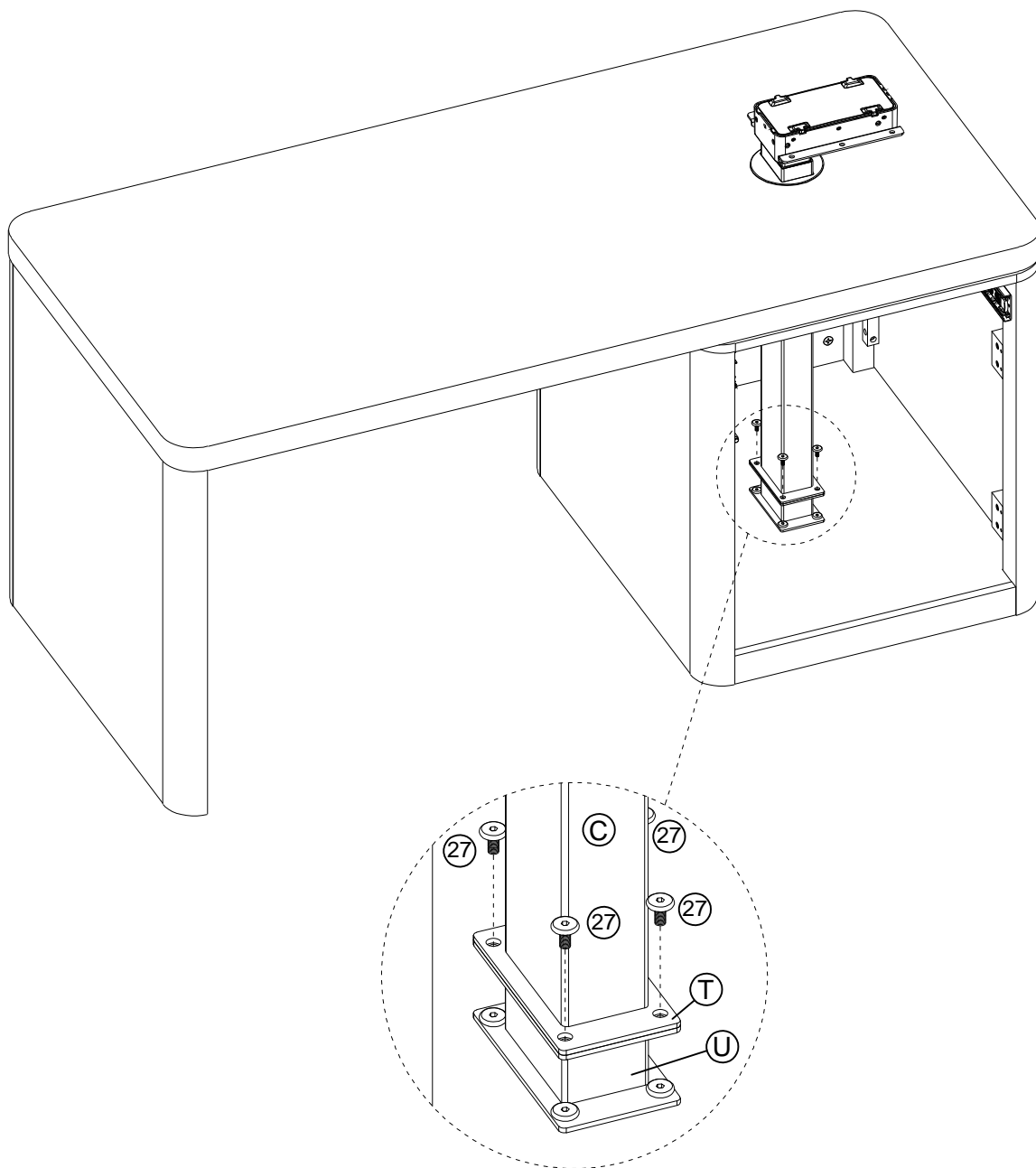
6		x 4	Bolt M6x20mm
25		x 1	



Attach the bottom iron plate (T) to the leg motor column (C) using bolt (6).



STEP 20

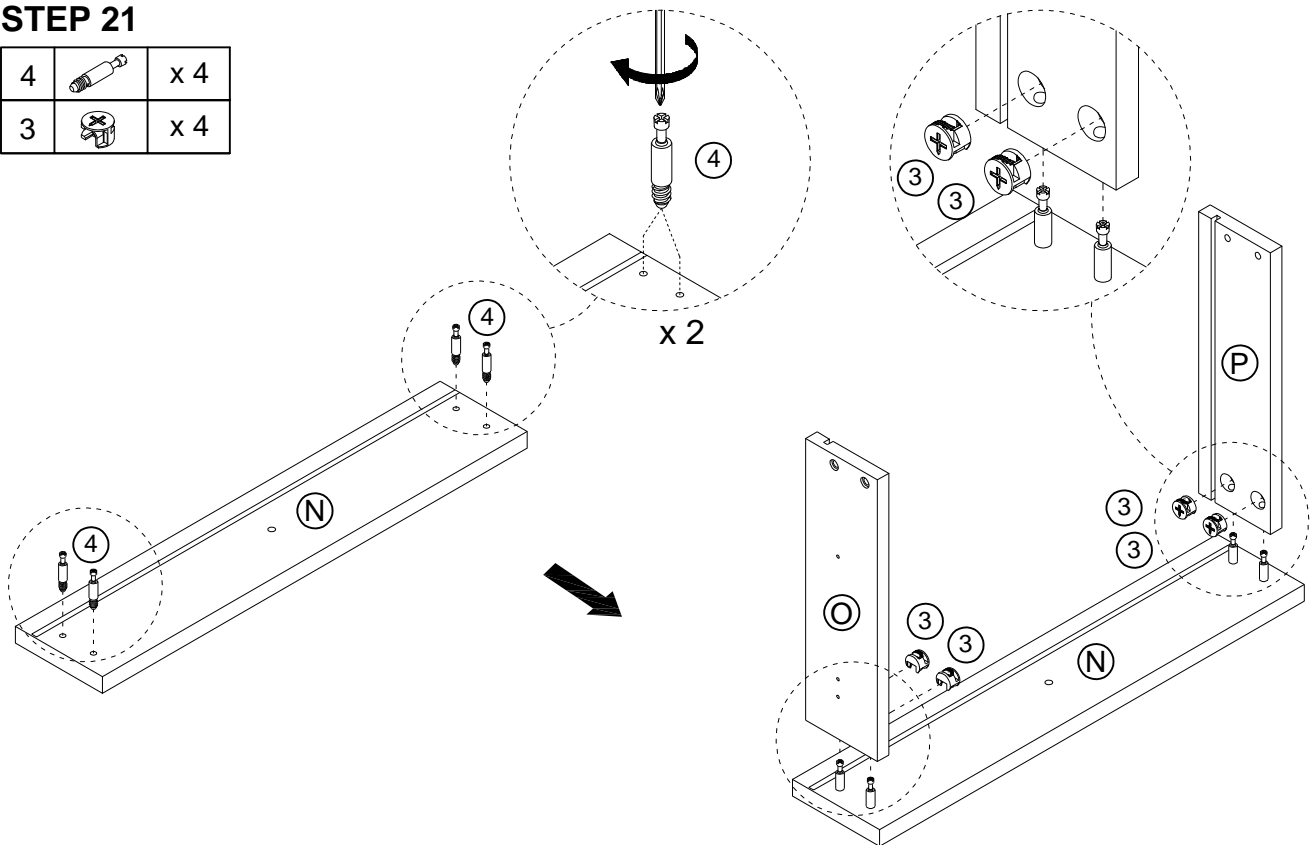
27		x 4	Big Head Bolt 1/4"x 12mm
25		x 1	



Install bottom iron plate (T) to the leg bottom support Iron (U) using bolt (27) , as shown in the figure.

STEP 21

4		x 4
3		x 4

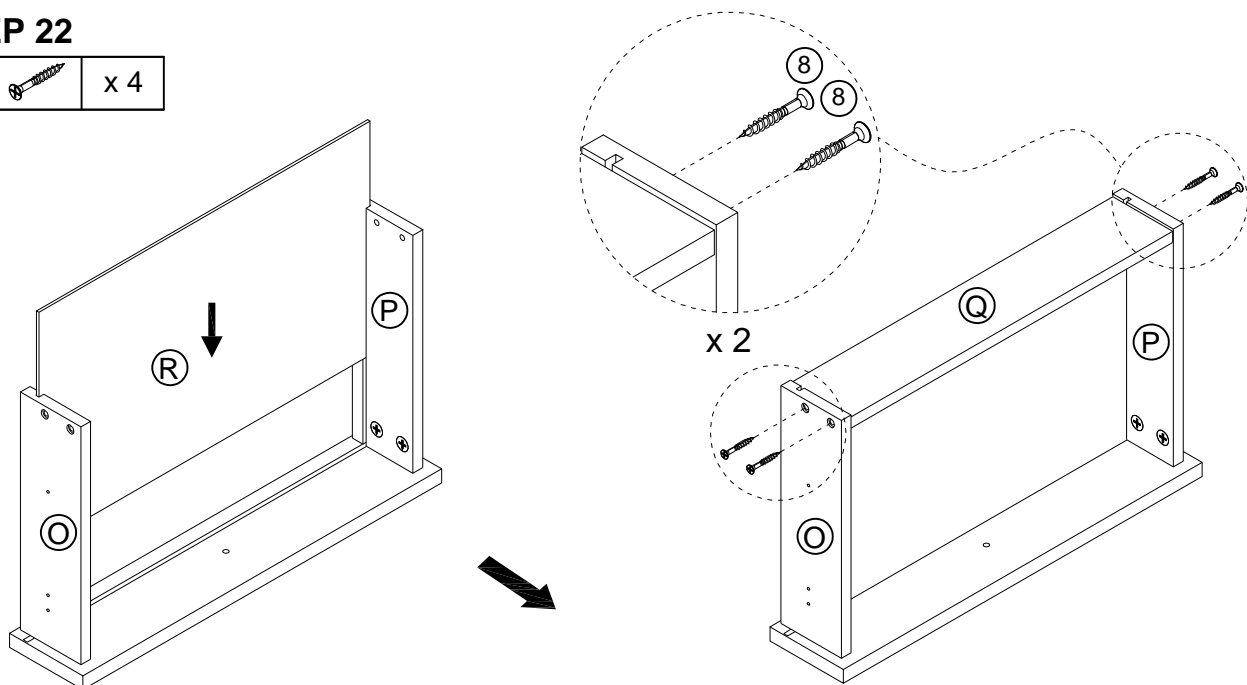


1. Insert cam bolts (4) into drawer front panel (N) tighten with a screwdriver.

2. Install drawer left side panel (O) & drawer right side (P) to drawer front panel (N) using cam lock (3).

STEP 22





8		x 4
---	---	-----



1. Insert drawer bottom panel (R) into the designated slots on drawer left side panel (O) & drawer right side (P)

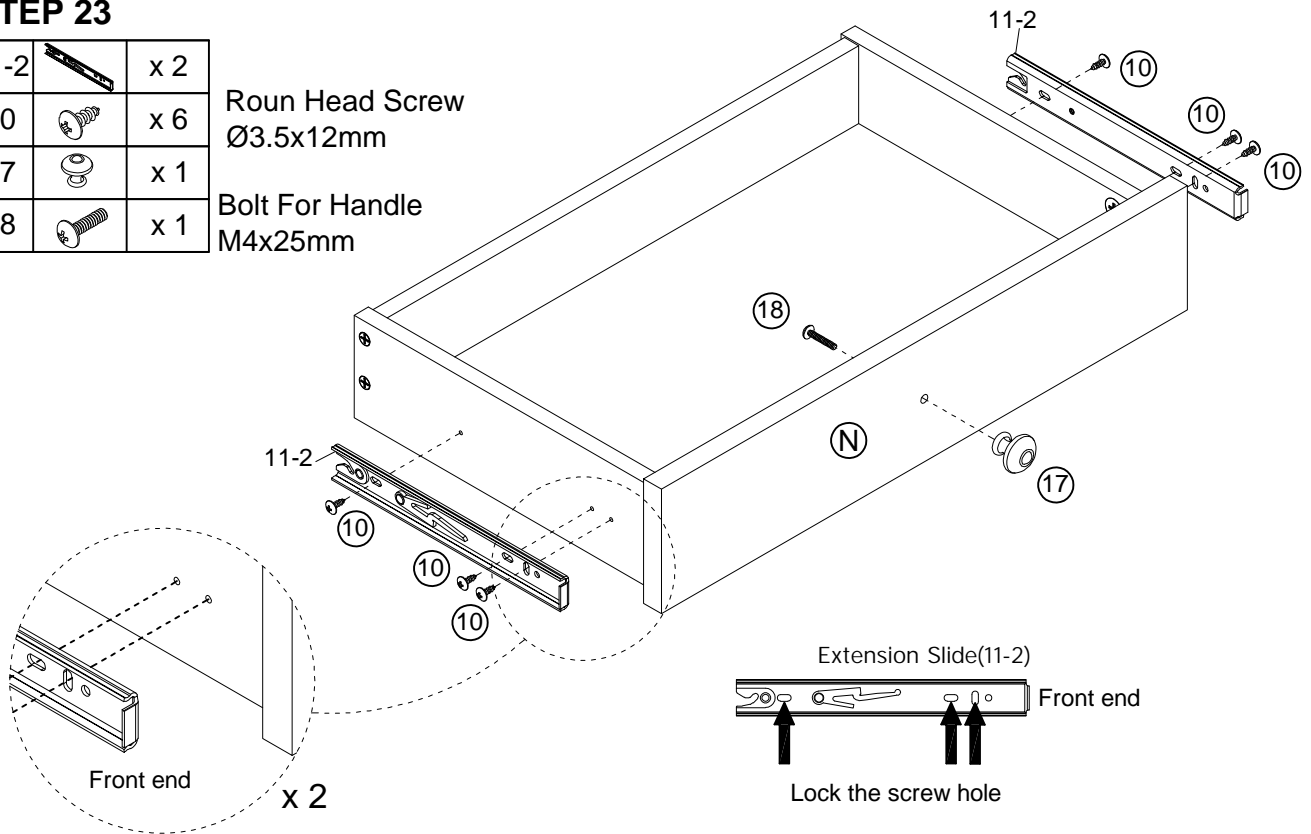
2. Install drawer back panel (Q) with drawer left side panel (O) & drawer right side (P) using screws (8) tighten with a screwdriver.

STEP 23

11-2		x 2
10		x 6
17		x 1
18		x 1




Round Head Screw
Ø3.5x12mm

Bolt For Handle
M4x25mm

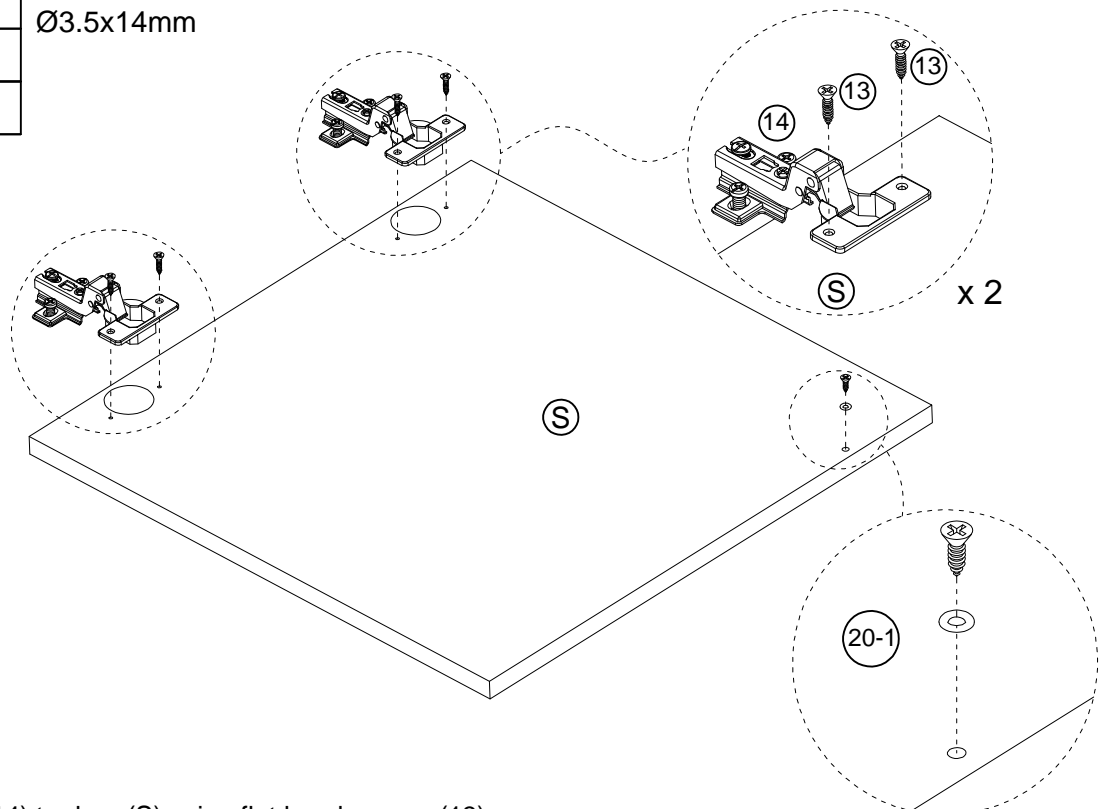


1. Install slide rails (11) on drawer left side panel (O) & drawer right side (P) using round head screws (10).
2. Attach handles (17) to drawer front panel (N) using bolt (18).

STEP 24

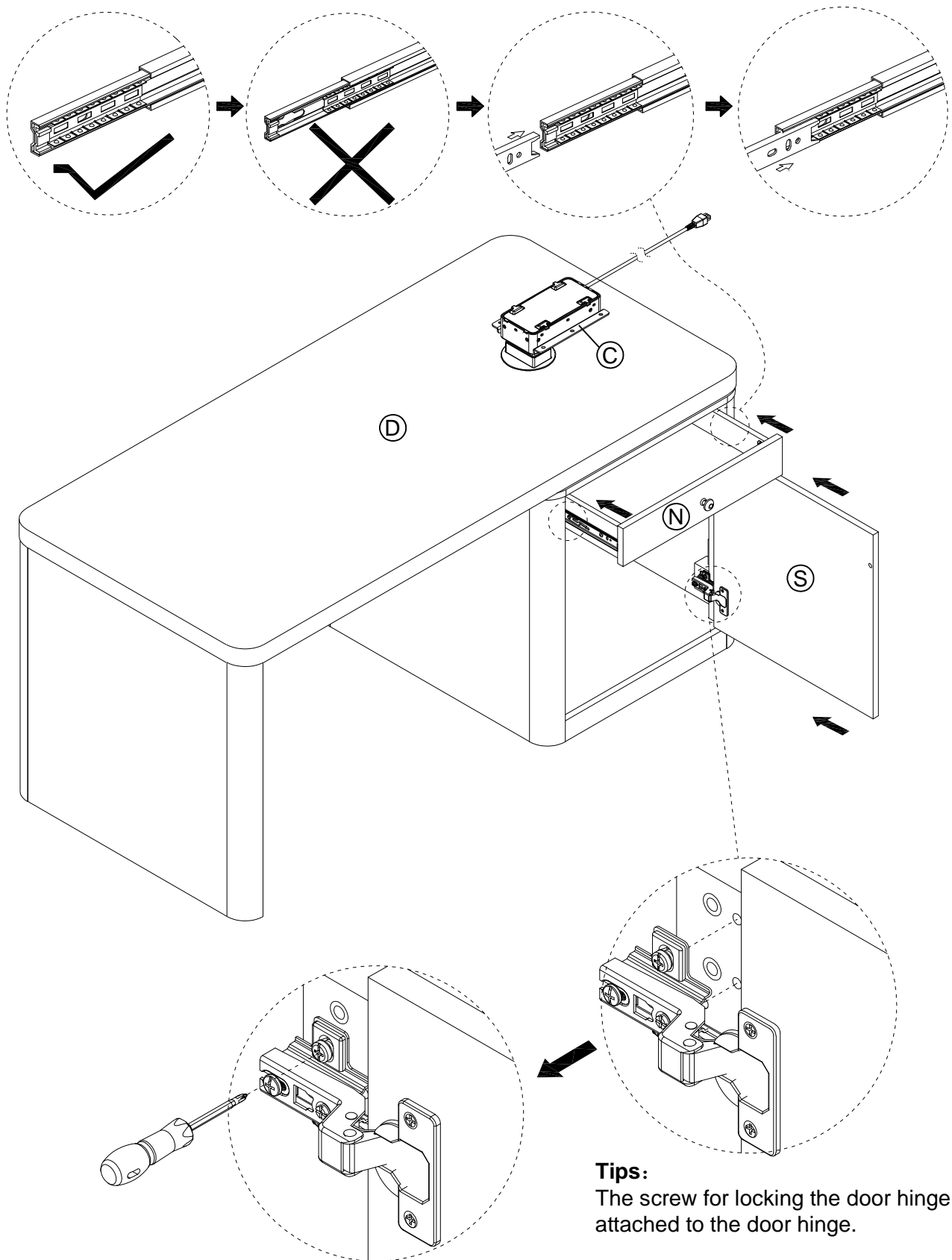
13		x 4
14		x 2
20-1		x 1

Flat Head Screw
Ø3.5x14mm





1. Attach hinges (14) to door (S) using flat head screws (13).
2. Attach part (20-1) to the door (S) as shown.

STEP 25

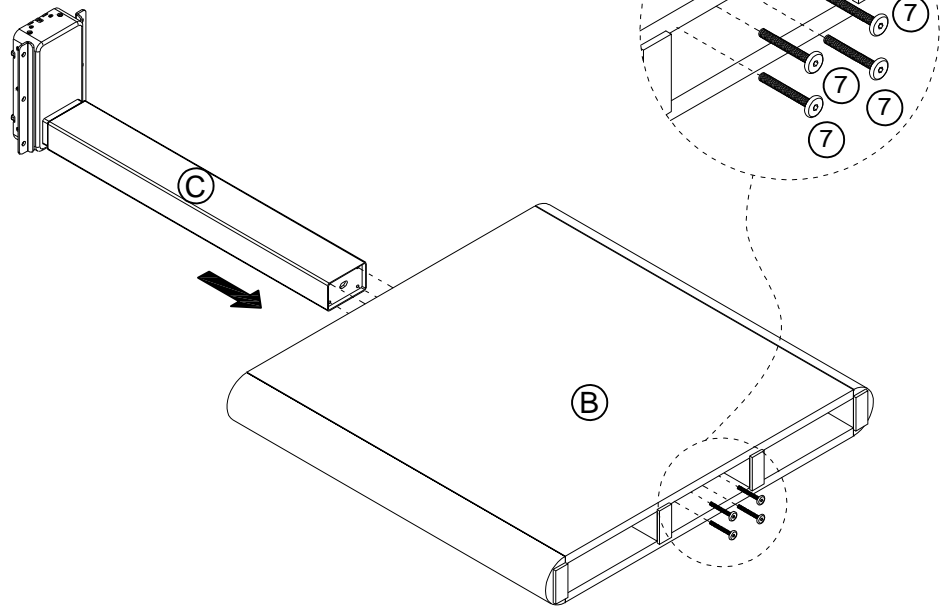


1. Install drawer and door to the desk as the figure. (For hinge adjustable, please refer to page six)
2. Before installing the tabletop, untangle and position the motor cable from the motor column (C).

STEP 26



7		x 4
26		x 1

Bolt M6x45mm

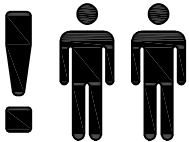


Install motor column (C) into foot box (B) using bolts (7) and tighten with a wrench(26) .

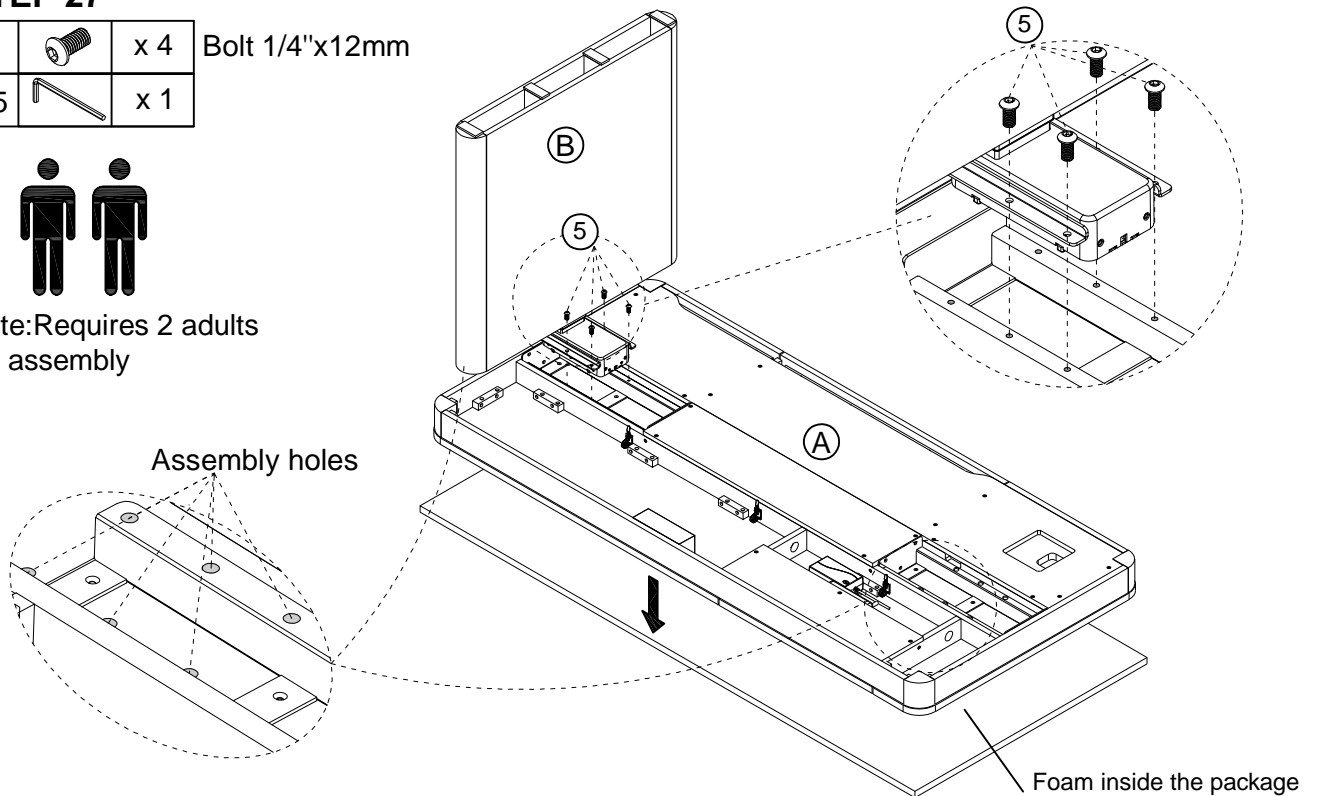
STEP 27

5		x 4
25		x 1

Bolt 1/4"x12mm

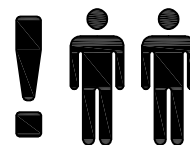


Note: Requires 2 adults for assembly

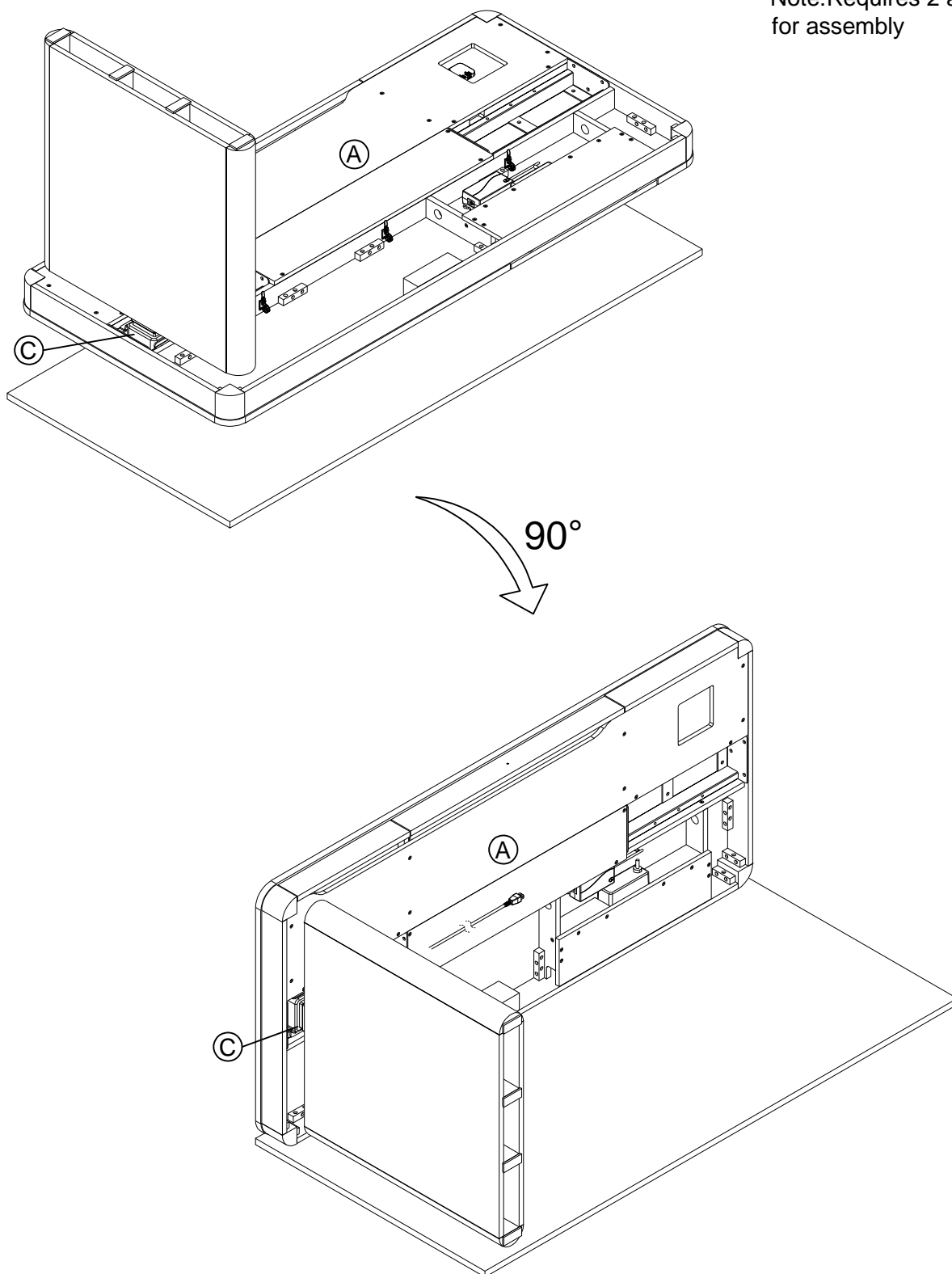


1. Place the foam pad from the packaging under the tabletop to protect it from damage during installation.
2. Connect foot box (B) to top panel (A) using bolts (5) tighten with a wrench.

STEP 28



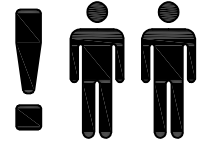
Note: Requires 2 adults for assembly



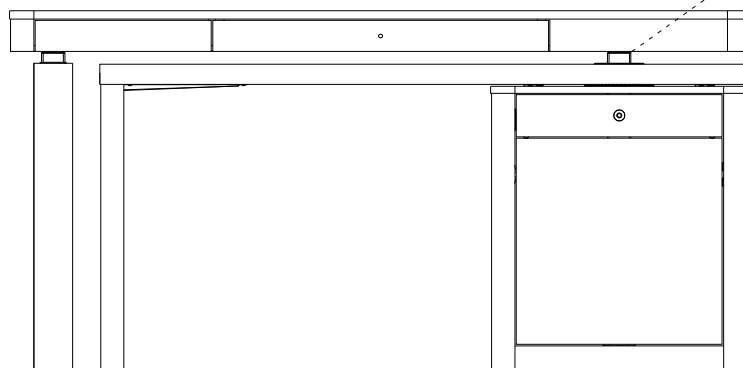
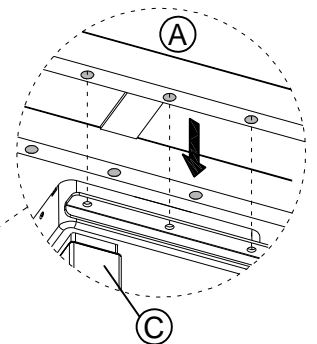
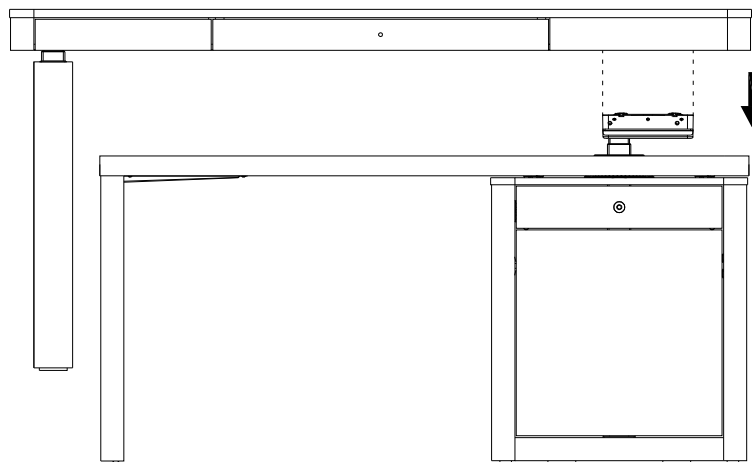
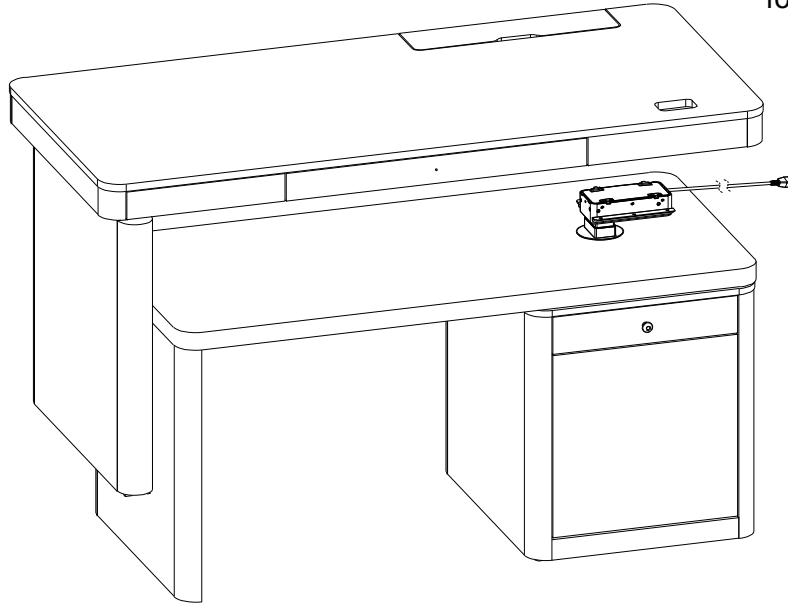
Flip the desktop according to the steps shown in the diagram above.

STEP 29

1. Flip the tabletop and align it with the lifting legs of the auxiliary platform.
2. Slowly lower the tabletop, ensuring no cables are pinched.
3. Adjust the main panel by lifting and moving it left or right to align the screw holes, then secure it.

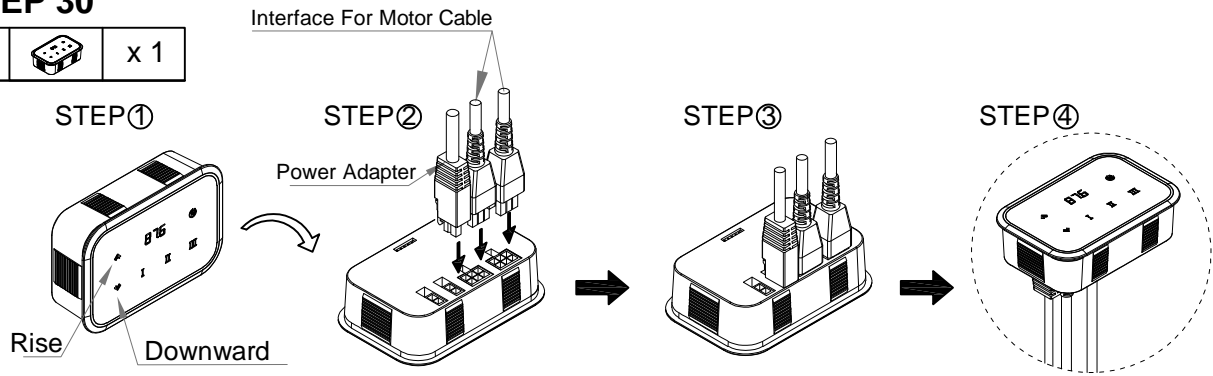


Note: Requires 2 adults for assembly

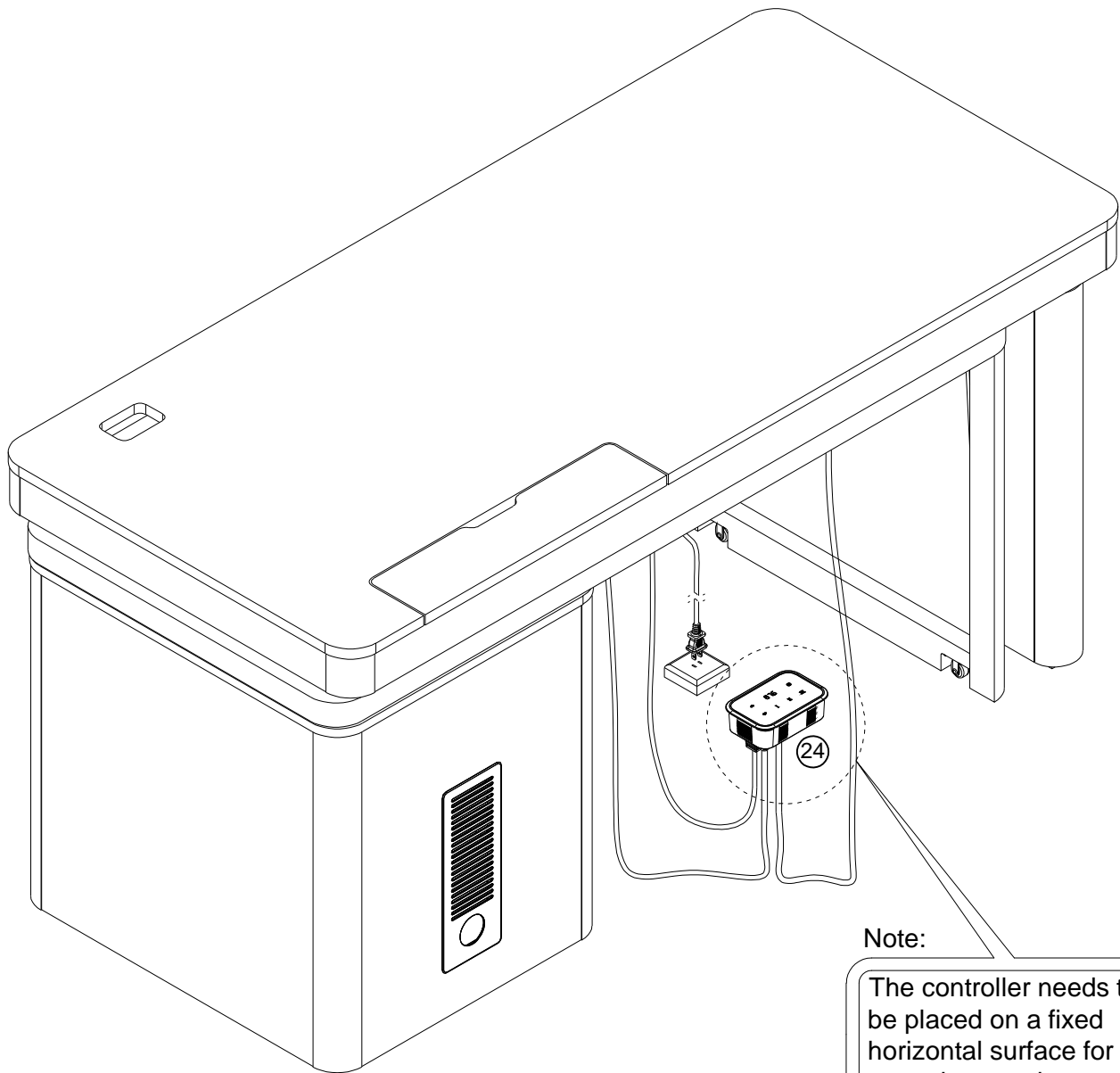


STEP 30



24  x 1

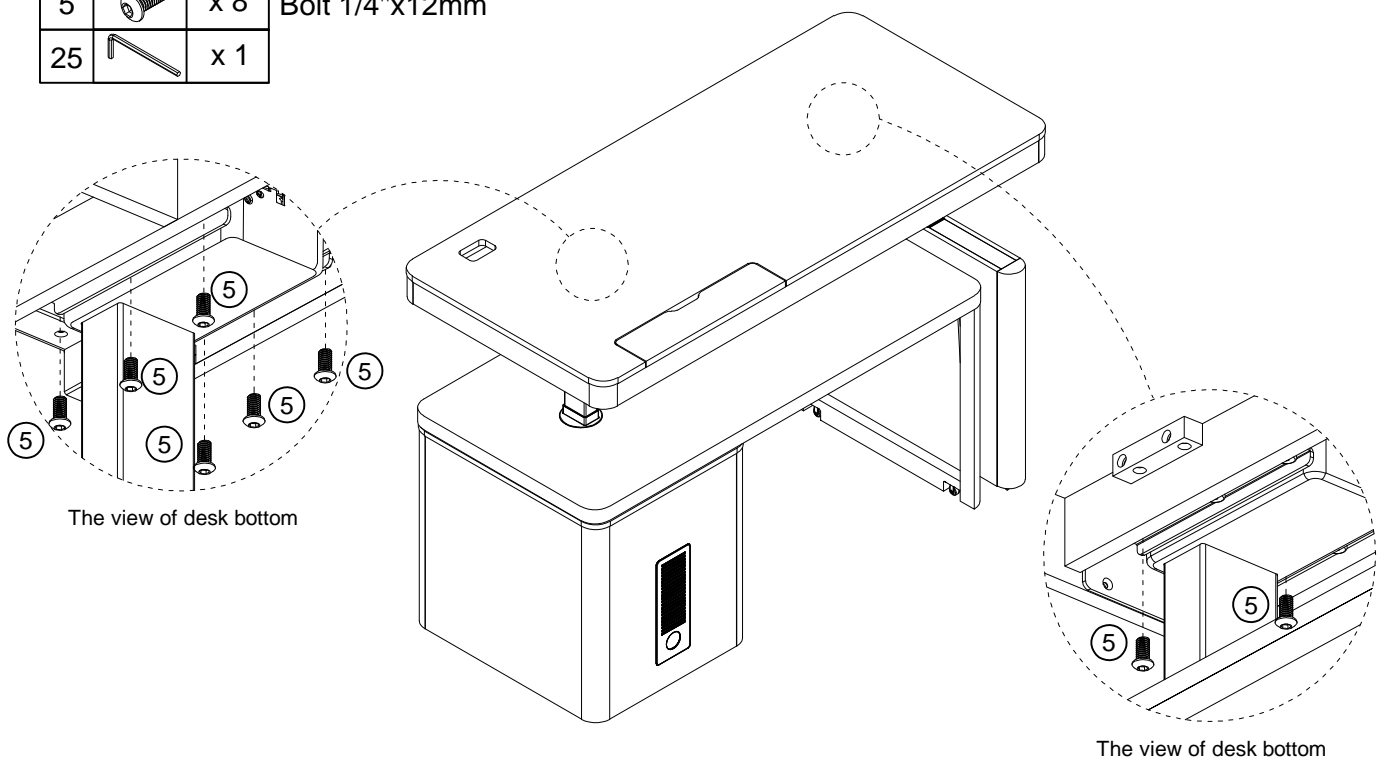


1. Connect the power adapter and motor cable to the control box, then power on the system.
2. Press and hold the "Downward" button for 5 seconds to reset the system.
3. Press the "Rise" button to raise the tabletop to approximately 300mm, setting it at a comfortable height for using the wrench.



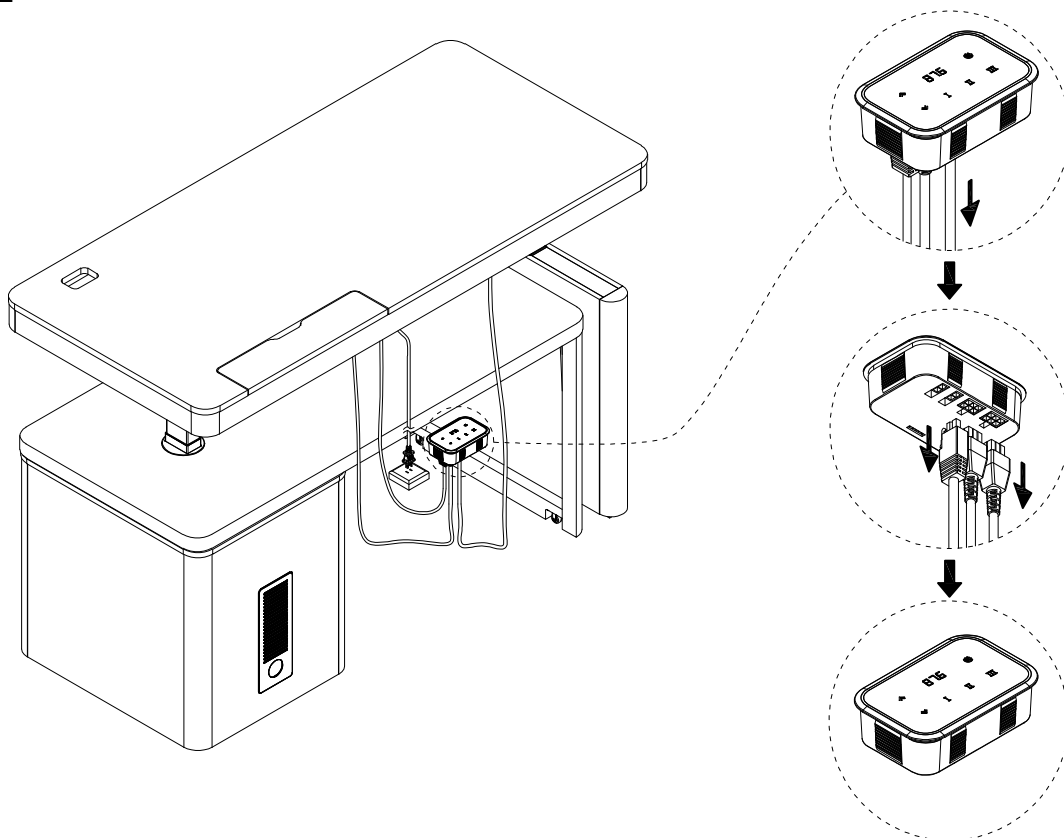
STEP 31

5		x 8	Bolt 1/4"x12mm
25		x 1	



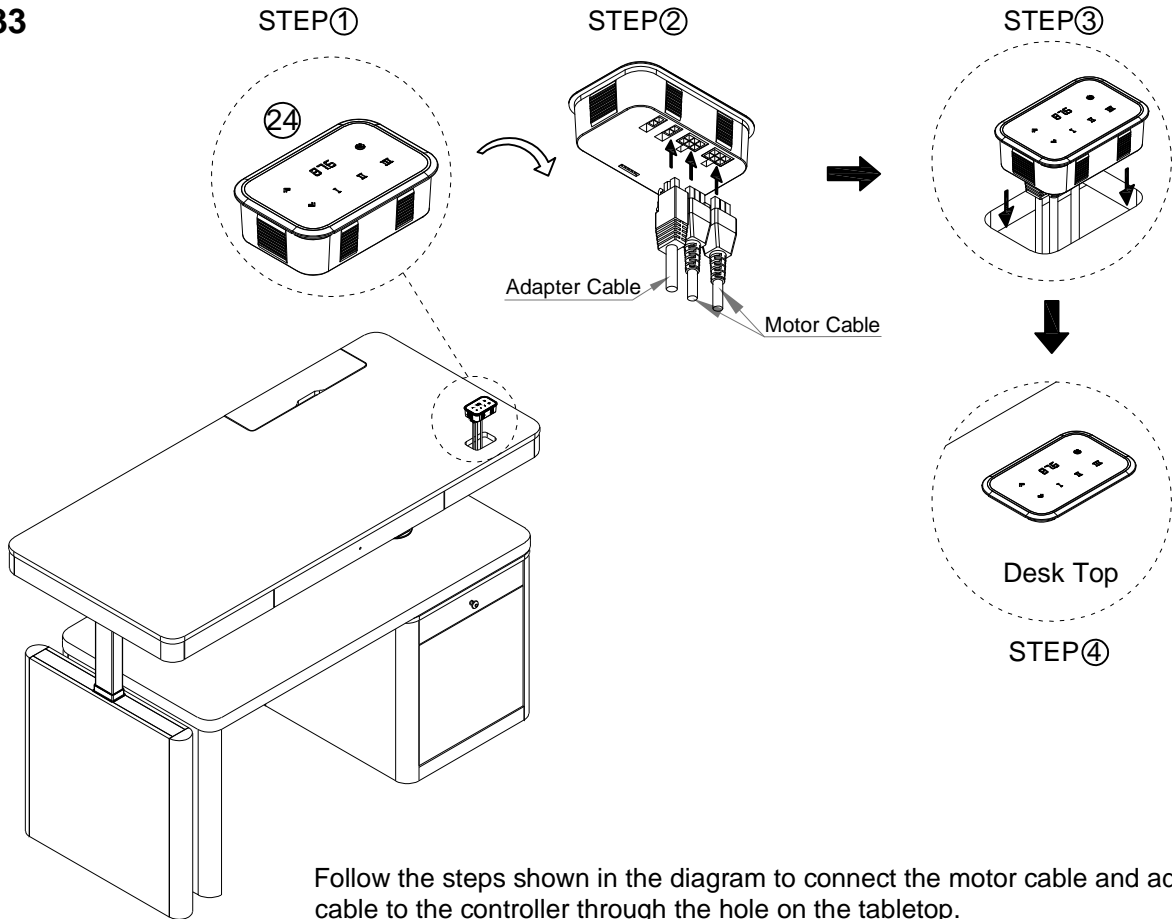
After raising the tabletop, gently move it left and right to align with the hole positions. Then, secure the remaining bolts (5) of the lifting column.

STEP 32

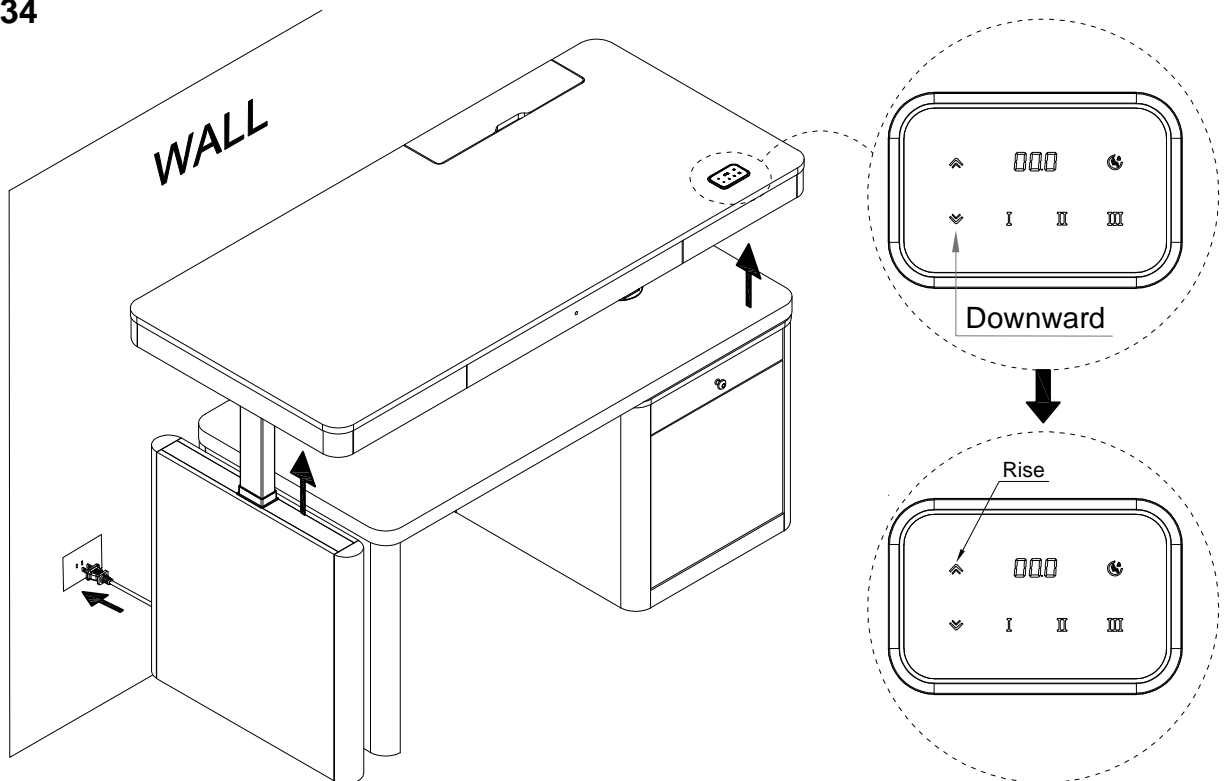


Cut off the power first.
Remove the adapter power cord and motor cable as shown

STEP 33

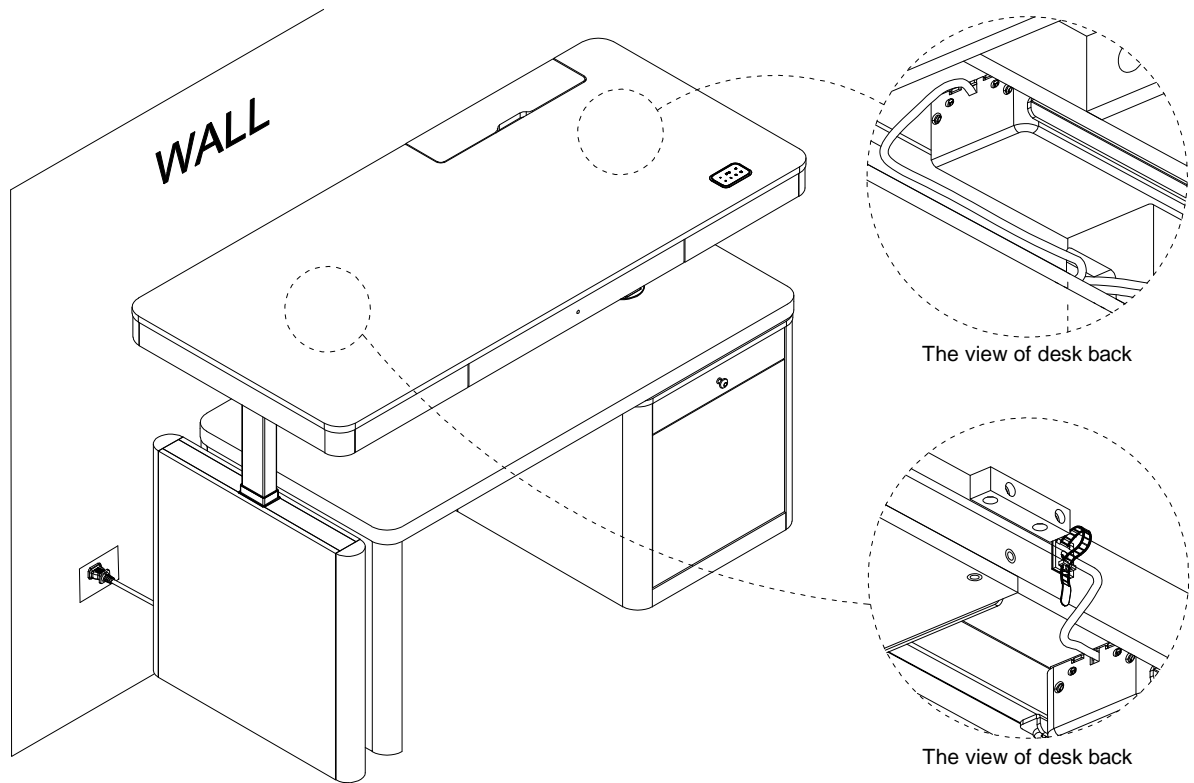


STEP 34



1. Insert the power cable into the adapter and turn on the power supply.
2. Once the power is on, you'll need to restore the settings. For details, refer to the manual on page 33.
3. Press the "rise" button to raise the tabletop.

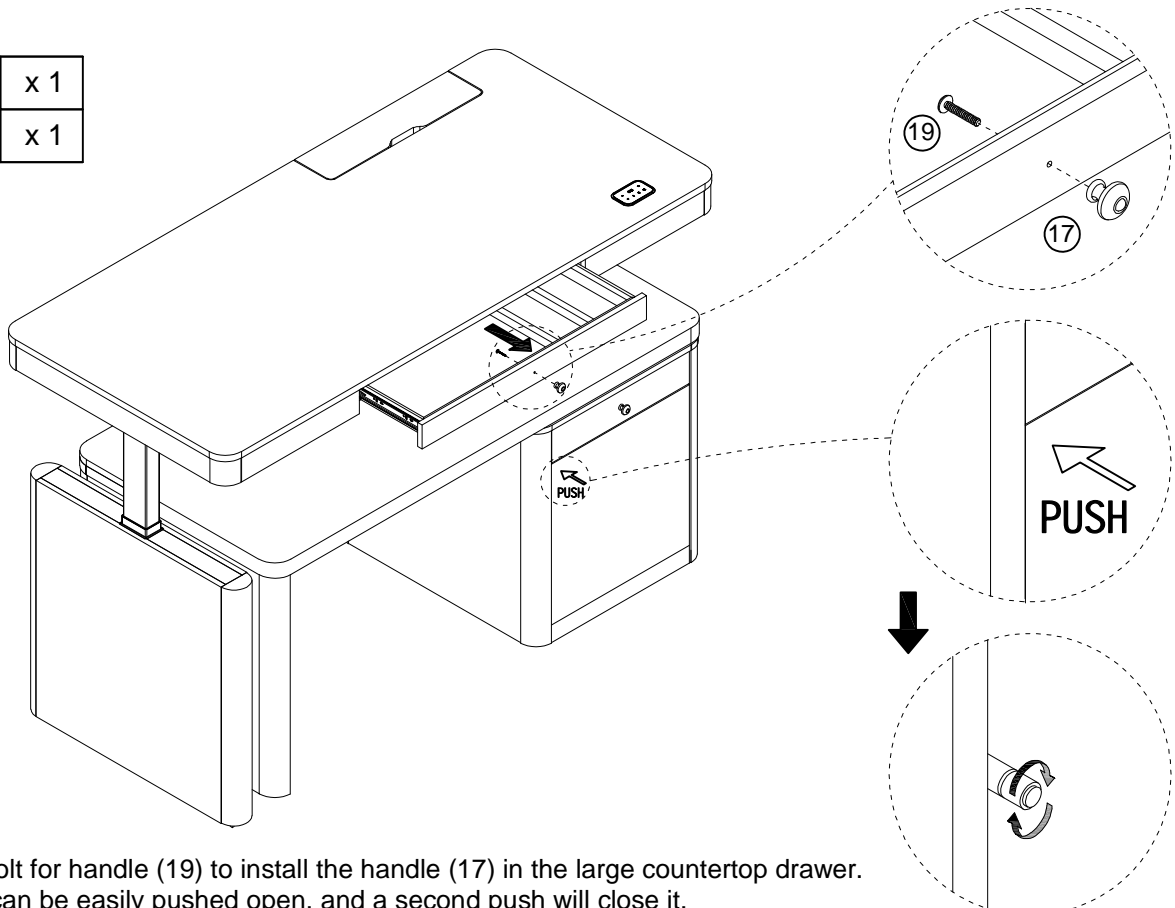
STEP 35



1. For example, in the right view, the cables are neatly stored and tied in the cable buckle.
2. Excess motor cable can be stored inside the panel compartment.

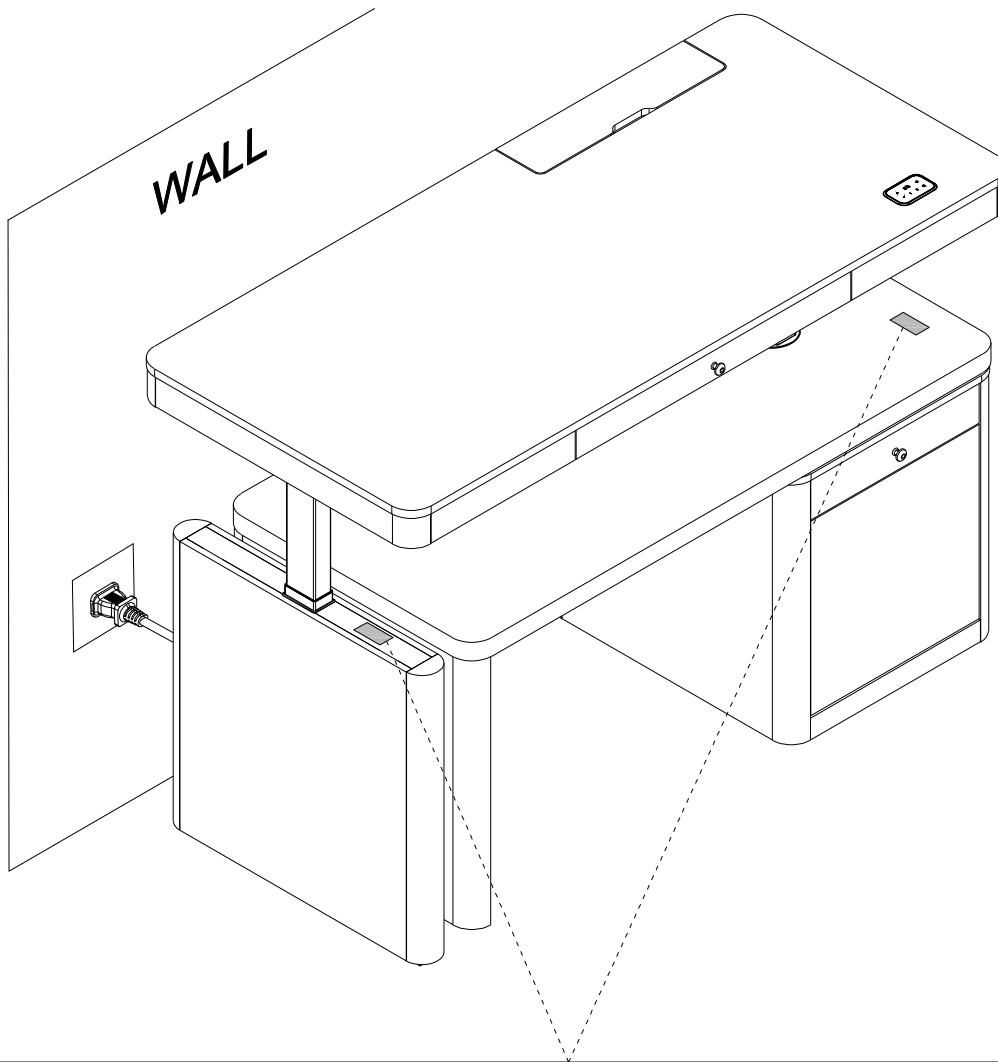
STEP 36

17		x 1
19		x 1



1. Use the bolt for handle (19) to install the handle (17) in the large countertop drawer.
2. The door can be easily pushed open, and a second push will close it.
3. If the door does not open or close properly, you can twist it inward or outward as shown in the figure.

STEP 37



WARNING:

Do not place hands or objects on top to prevent injury or danger !



CAUTION:

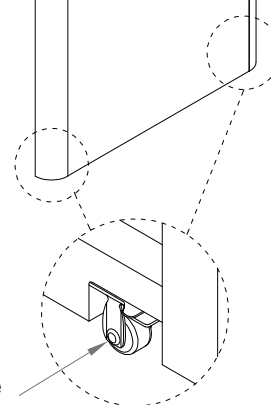
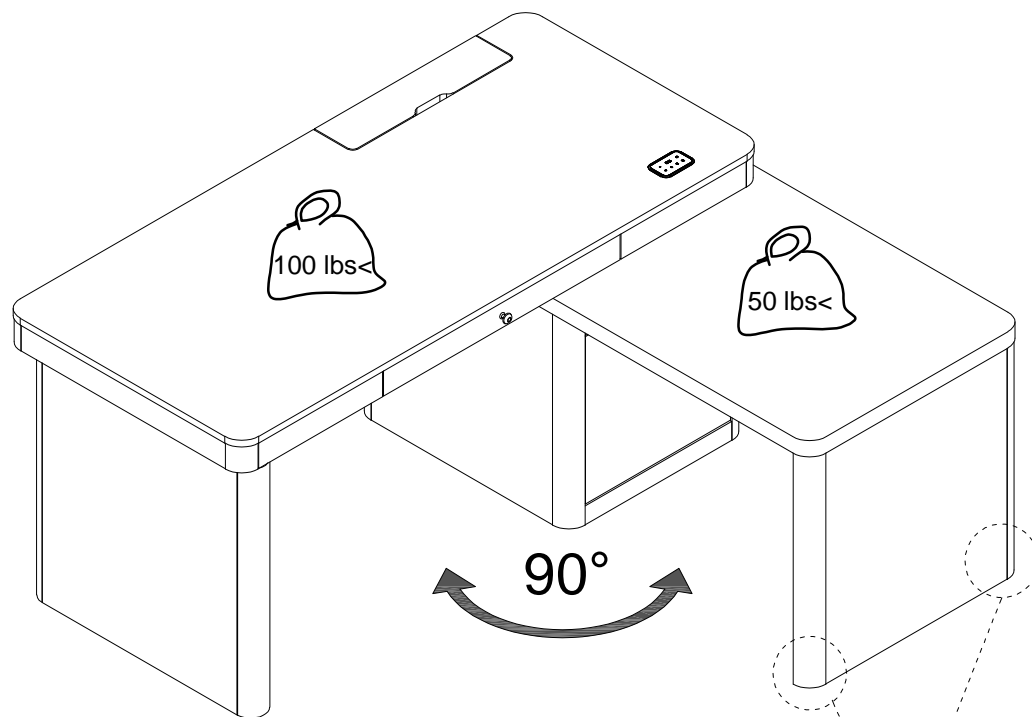
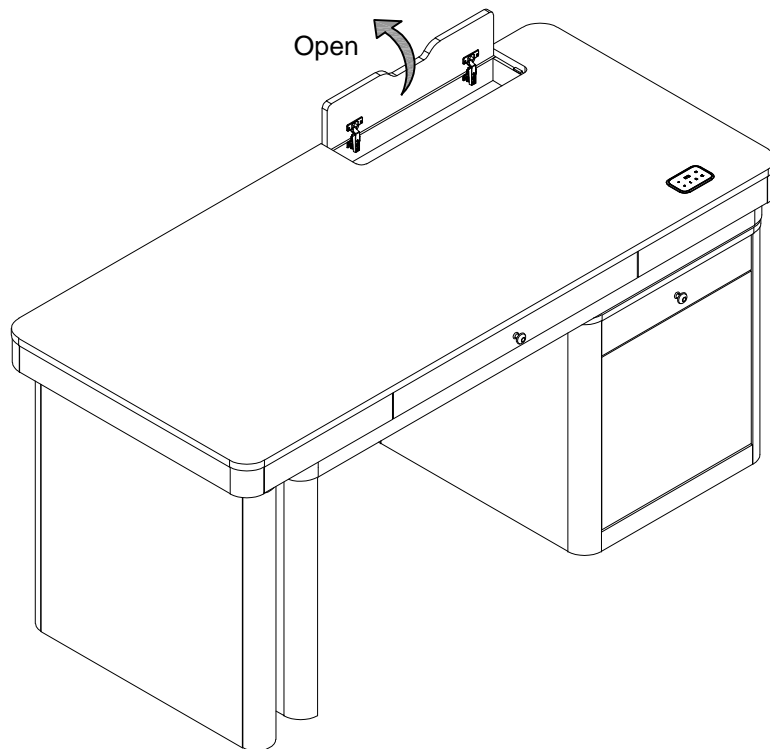
The sound you hear when activating the lifting function is normal and is caused by the high speed of the motor.



WARNING:

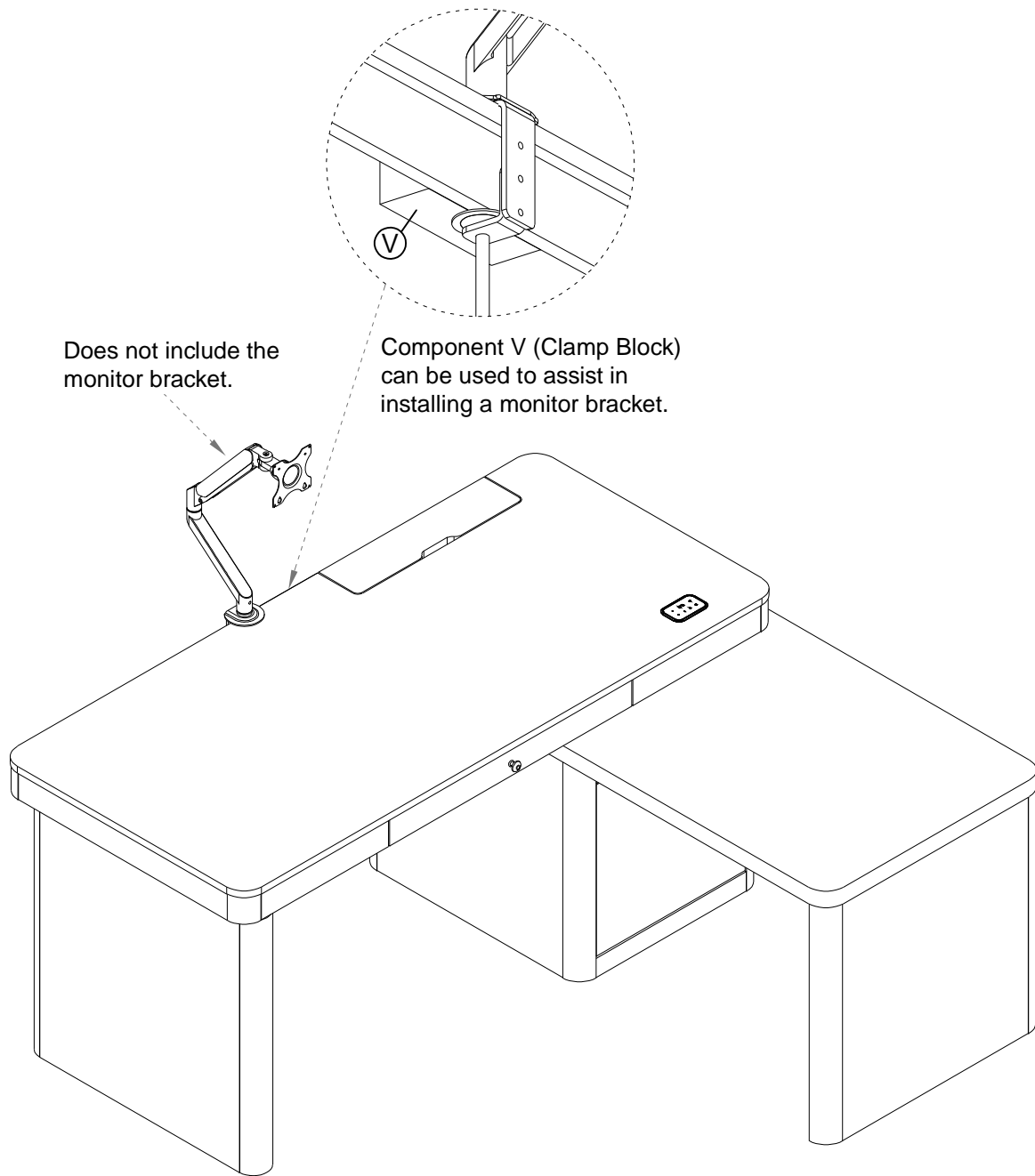
- 1.The load of the lifting table must be less than 100 LBS!
- 2.When raising or lowering the tabletop, ensure that the tabletop remains stationary and does not move!




STEP 38

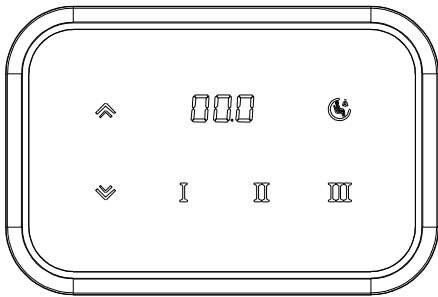


The auxiliary tabletop can rotate 360 degrees, and the wheels on the base include brakes for added stability.

Option




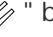

button	I	II	III			
Initial value	31.5 In/800mm	37.5 In/950mm	43.25In/1100mm	Sedentary reminders	rise	drop






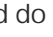


1. First power-on:

According to the controller nameplate will be connected to the power supply, the buzzer will "di, di" two sounds, and then display the current height. If the height displayed by the manual controller does not match the actual height of the lifting leg or the height of the lifting leg has changed after re-disassembly, the reset operation needs to be performed. Otherwise, it can be used directly according to the factory default.

2. Reset operation:

When the system moves to the lowest position, release the button and hold down the "" button for 5 seconds. Then the system enters reset mode and RST is displayed on the display screen. During the reset process, you can release the drop "" key at any time and the table will stop running. Press and hold the "" button again to continue the reset.

The reset makes a sound of "di", the reset operation is finished, and the minimum height of the table is displayed. When the minimum limit is set and the system moves to the limit position, hold down the "" button for 5 seconds and do not release it. Then the system enters reset mode and RST is displayed on the display screen. During the reset process, you can release the drop "" key at any time and the table will stop running. Press the "" button again to continue the reset. After the reset is complete, the system drops and displays the minimum height of the table.

When the manual controller is abnormal, Exx is displayed. Hold down the "" button for 5 seconds and do not release it. Then the system enters reset mode and RST is displayed on the display. During the reset process, you can release the "" key at any time and the table will stop running. Press the "" button again to continue the reset. After the reset is complete, "di" sounds to show the minimum height of the table.

3, upward operation:

Press the "" button of the controller to lift the table up, and release the button to stop;




4. Downward operation:

Press the "" button of the controller to lower the lifting table and stop when you release the button;

5, memory position operation:

When the lifting leg is stopped, long press any key of " I ", " II ", " III " for more than 5 seconds, then the height position of the current lifting leg is saved to the corresponding key. The manual can remember a total of 3 height positions, and it is repeatable and can be saved after power failure. After the memory position is completed, directly press any of the keys in " I ", " II ", " III ", and the table will display the height of the memory bit for 1 second. At the same time, it will automatically run to the recorded position of the corresponding key. In the process of lifting the table back to the memory position, press any key to stop the operation.

6, sedentary reminder operation:

Long press the "  " button of the manual controller for more than 3 seconds, then the display screen flashes and displays the current default display of 60 minutes. At this time, you can press the " Δ " and " ∇ " keys to switch the sitting time (45 minutes, 60 minutes, 90 minutes, 120 minutes). After the setting of the time, directly press the "  " button to randomly start the sedentary reminder. Manual control all key lights begin to flash in the form of color running horse lights, the buzzer emits a "di, di" prompt sound, at this time the user presses any of the keys in " I ", " II ", " III ", the table will rise to the memory bit set by the corresponding " I ", " II ", " III " keys, if the user does not want to stand up and work, you can press the "  " key to turn off the sedentary reminder function.

7. Energy saving mode:


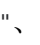
If no operation is performed on the key within 30 seconds, the energy saving mode is entered. The manual display is turned off and the controller enters the low power consumption mode. Press any key to exit the energy saving mode. In energy saving mode, the key motion command does not take effect.


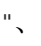
8. Thermal protection:

In order to better protect the motor, the system will run 5 meters in 18 minutes, and the system will enter the thermal protection mode. The thermal protection needs to be detected in the shutdown state, and the display screen will display HOT. At this time, other functions of the manual controller will be turned off and the key cannot be used.

After 18 minutes, the hand controller will automatically exit the thermal protection mode, or exit the thermal protection mode after power failure and restart.

9. child safety lock:

Hold down, press "  "、"  " and press " I " for 5 seconds. If LOC is displayed on the manual controller, the system is locked and cannot be lifted or lifted.

In the locked state, hold down, press "  "、"  " and press " I " for 5 seconds. When the display of the manual controller changes from LOC to a normal digit display, the system is unlocked.

10, menu option operation:

In user mode and in the shutdown state, press the "⏏" key and "⏏" at the same time for 5 seconds to enter the menu page. Press the "⏏" and "⏏" keys to switch

Menu, switching sequence as shown below:

P00 → P01 → P02 → P04 → P05 → P06

On the menu screen: Press "I" to access the Settings page. To modify the parameters under the corresponding menu, press "⏏" and press "⏏".

On the Settings screen, the parameter blinks. Press "I" to confirm the setting.

If no operation is timed out for 5 seconds, the system automatically exits the menu mode and sets and saves the modified parameters.

menu	menu display	set display	default	remark
Display Unit	P00	0/1	0	0:metric unit (cm) 1: English unit (inch)
Minimum height limit	P01	Bottom~ (Top-10)	Top (minimum altitude)	Gradient Spread:Bottom~ (Top-10) cm, step length is 1cm At the same time, the setting value should be at least 10cm smaller than the maximum limit height value
Maximum limit height	P02	(Bottom+10)~ Top	Top (maximum height)	The value ranges from (Bottom+10) to Top cm. step length is 1cm At the same time, the setting value should be at least 10cm larger than the minimum limit height value
Base Height	P03	0~60	0	reserved
Ascent resistance sensitivity	P04	0~10	5	Ascent protection against obstacles: 0: disables. 1 ~ 10: The larger the number, the lower the sensitivity
Descent resistance sensitivity	P05	0~10	5	Drop protection against obstacles: 0: disables. 1 ~ 10: The larger the number, the lower the sensitivity
Buzzer control switch	P06	0/1	1	0:Turn off the buzzer (do not turn off the abnormal alarm tone) 1: Turn on the buzzer

Recycling and Disposal



This product cannot be disposed of as household waste. To prevent damage to the environment, this product should be recycled. Please use the relevant recycling systems available to you or contact the distributor or manufacturer for recycling assistance.

Trouble removal

When there is a fault, “didi” 2 sound to remind the user that the machine is in a fault state and cannot be used. After the fault is completely cleared, “didi” 2 sounds reminds the user to use it often.

Failure code	Instructions	solution
E01	Motor 1 disconnected	After checking that the line is OK, hold down the down button for 5S and then reset or restart with power off
E02	Motor 2 disconnected	After checking that the line is OK, hold down the down button for 5S and then reset or restart with power off
E03	Motor 1 overcurrent	After checking that the line is OK, hold down the down button for 5S and then reset or restart with power off
E04	Motor 2 overcurrent	After checking that the line is OK, hold down the down button for 5S and then reset or restart with power off
E05	Motor 1 Hall wire is not plugged in	After the detection line is OK, recheck the Hall interface
E06	Motor 2 Hall wire is not plugged in	After the detection line is OK, recheck the Hall interface
E07	reserved	
E08	meet resistance	In case of abnormal resistance, check whether there is an obstacle. If the sensitivity is not appropriate, please adjust the sensitivity by referring to the menu section.
E09	The position deviation between the two sides is large	After checking that the line is OK, hold down the down button for 5S and then reset or restart with power off
E10	high voltage	Check whether the power supply is correct. If no problem is found, hold down the down button for 5S seconds and then reset or restart with power off
E11	low voltage	Check whether the power supply is correct. If no problem is found, hold down the down button for 5S seconds and then reset or restart with power off
E12	Motor 1 Hall break	Check whether the power supply is correct. If no problem is found, hold down the down button for 5S seconds and then reset or restart with power off
E13	Motor 2 Hall break	Check whether the power supply is correct. If no problem is found, hold down the down button for 5S seconds and then reset or restart with power off
E14	overload protection	Check whether the power supply is correct. If no problem is found, hold down the down button for 5S seconds and then reset or restart with power off

MAINTAINANCE AND WARNING

- Keep furniture away from heat.
- Do not clean furniture with harsh cleansers or polish. Do not use detergents, Solvents, abrasives, spray packs or leather cleaner. Use non-color mild soap with warm water clean spills(Mix 1:10 soap to water)
- Do not place furniture under direct sunlight, material will possibly fade over time.
- Do not use on site dry Cleaning machine.
- Children should not climb or jump on the furniture.
- Do not write on furniture without a padded barrier to protect the surface.
- Not for commercial use, For residential use only.
- The maximum load is 100 LBS.

WARRANTY

We strive to offer high- quality products, and we also try our best to satisfy each and every customer that orders from us with product or service as needed. We provide 30 days warranty starting from the time you receive the item. Each customer must provide a record of their order such as the order number, or item receipt for any items that are out of the warranty period you may also still receive replacement parts by purchasing them with our company if they are available.

Are you having difficulty with assembly? Missing parts? Please send email with your order No to customerservice@hulalahome.com

For return, please check the return policy with the retailer or market place you bought from. Appreciate your purchasing from us. Pop up your life by our furniture piece!