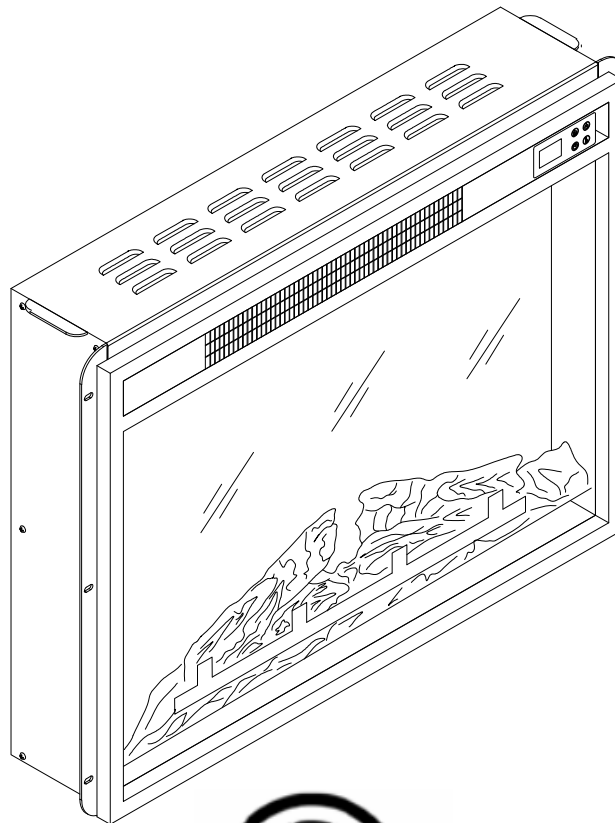


# 23" ELECTRIC FIREPLACE

## HOMEOWNERS OPERATING MANUAL

Item: ZTVJT0284-A/ ZTVJT0285-A

MODEL: ■ RYJ-23A (Mixed color monochrome)



### CONSUMER SAFETY INFORMATION:

Please read this manual before installing and operating this appliance. Failure to follow these instructions may result in electric shock, fire hazard or injury and will void the warranty.

#### **WARNING:** ⚠

If the information in this manual is not followed, electrical shock or fire may result in property damage, personal injury, or loss of life.

This instruction manual contains important safety information. Please read and save it for future reference.

## IMPORTANT INSTRUCTIONS:

When using electrical appliances, basic precautions should always be followed to reduce the risk of fire, electrical shock, and/or injury including the following:

1. Read all instructions before using this heater.
2. This heater is hot when in use. To avoid burns, do not let bare skin touch hot surfaces. If provided, use handles when moving this heater.

**DANGER: High temperature may be generated under certain abnormal conditions. Do not partially or fully cover or obstruct the front of the heater.**

**WARNING: In order to avoid overheating, do not cover the heater. It cannot be used in a closet.**

**3. CAUTION: The appliance should not be used by children or persons with reduced physical, sensory or mental capabilities.**

**4. Children should be advised not to play with the appliance.**

5. Always unplug this appliance when not in use.
6. Do not operate any heater with a damaged cord or plug or after the appliance malfunctions, or if it has been dropped or damaged in any manner.
7. If the supply cord is damaged, it must be replaced by the manufacturer, its service agent or similarly qualified persons in order to avoid a hazard.
8. Any repairs to this fireplace should be carried out by a qualified service person.
9. Under no circumstances should this fireplace be modified. Parts having to be removed for servicing must be replaced prior to operating this fireplace again.
10. Do not use outdoors.
11. This heater is not intended for use in bathrooms, laundry areas and similar indoor locations. Never locate this appliance where it may fall into a bathtub or other water container.
12. Do not run cord under carpeting. Do not cover cord with throw rugs, runners or the like. Arrange cord away from traffic areas and where it will not be tripped over.
13. To disconnect this appliance, turn controls to the off position, then remove plug from outlet.
14. Connect to properly grounded outlet only.
15. This appliance, when installed, must be electrically grounded in accordance with local codes or, in the absence of local codes, with the current CSA C22.1 Canadian Electrical Code or for USA installations, follow local codes and the National Electrical Code, ANSI/NFPA NO.70.
16. There is a protective thermostat limiter inside the heater. When the inner temperature overheat, the thermostat limiter will shut off the power supply to avoid the risk of fire damage to the appliance.
17. The heaters must not be located immediately below a socket-outlet.
18. Do not insert or allow foreign objects to enter any ventilation or exhaust opening as this may cause an electric shock or fire, or damage the appliance.
19. To prevent a possible fire, do not block air intake or exhaust in any manner. Do not use on soft surfaces, like beds, where openings may become blocked.
20. This appliance has hot and arcing or sparking parts inside. Do not use where gasoline, paint, or flammable liquids are used or stored. This fireplace should not be used as a drying rack for clothing. Christmas stockings or decorations should not be hung in area of it.
21. Use this appliance only as described in the manual. Any other use not recommended by the manufacturer may cause fire, electric shock or injury to persons.
22. Always plug heaters directly into a wall outlet/receptacle. Never use with an extension cord or relocatable power tap (outlet/power strip).

## INSTALLATION INSTRUCTIONS:

Position Your Completed Mantel:( See Figure 1)

Place your completed mantel close to its final location.

Ensure you can access the back of the mantel because your electric fireplace appliance will be installed from the back.

Prepare for Installation:

Use a Phillips head screwdriver to remove the screws and the metal mounting center opening.

Unpack the Electric Fireplace Appliance:

Carefully unpack the electric fireplace appliance.

Position the Appliance:

Place the appliance behind the fireplace with the front facing the wood mantel.

With the assistance of an adult assistant, lift the appliance and gently slide it into the opening in the mantel.

Ensure the appliance is centered both left and right in the opening.

Exercise Caution:

Be careful when placing and adjusting the appliance, as the bottom of the appliance could scratch the finish of the base or hearth of your fireplace.

Reattach the mounting brackets with the Phillips head screwdriver and supplied screws. **Do not over-tighten.**

Final Placement:

With the assistance of another person, carefully lift the completed unit and place it with the front facing out in the final location you have chosen for your fireplace.

Make sure to secure the electrical cord before lifting or moving the completed fireplace.

When choosing the final location, ensure that you will have clear access to a grounded electrical outlet.

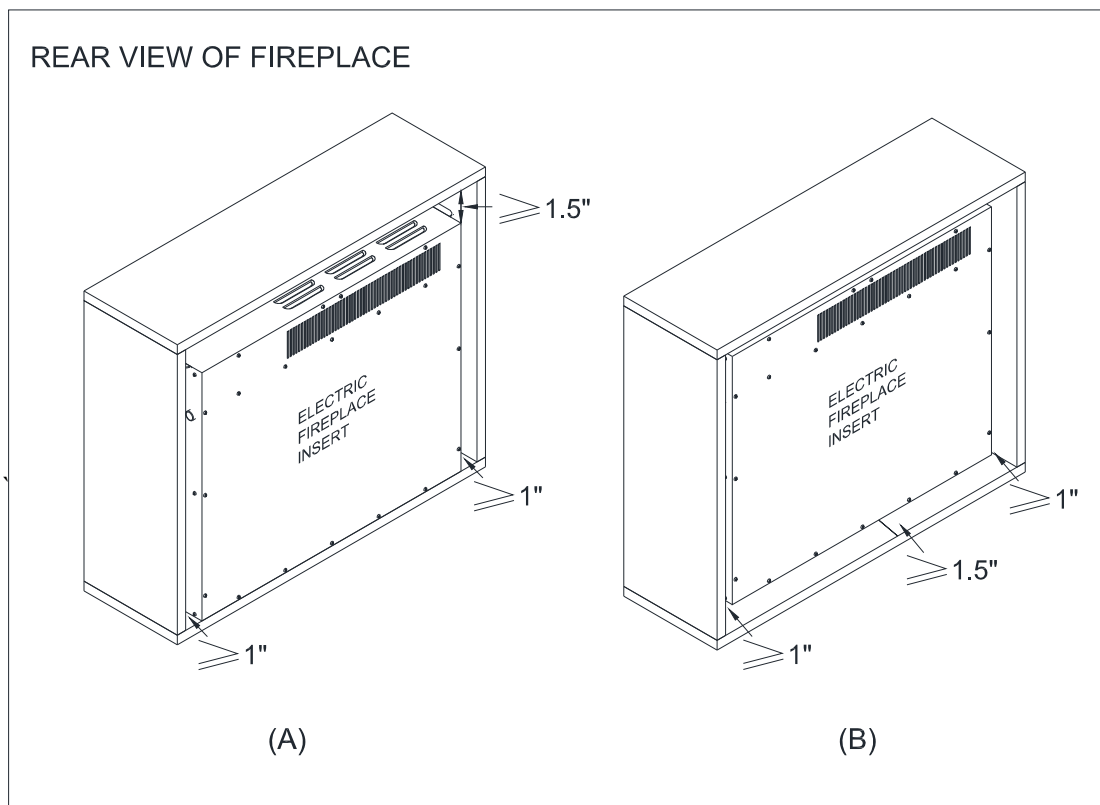


Figure 1

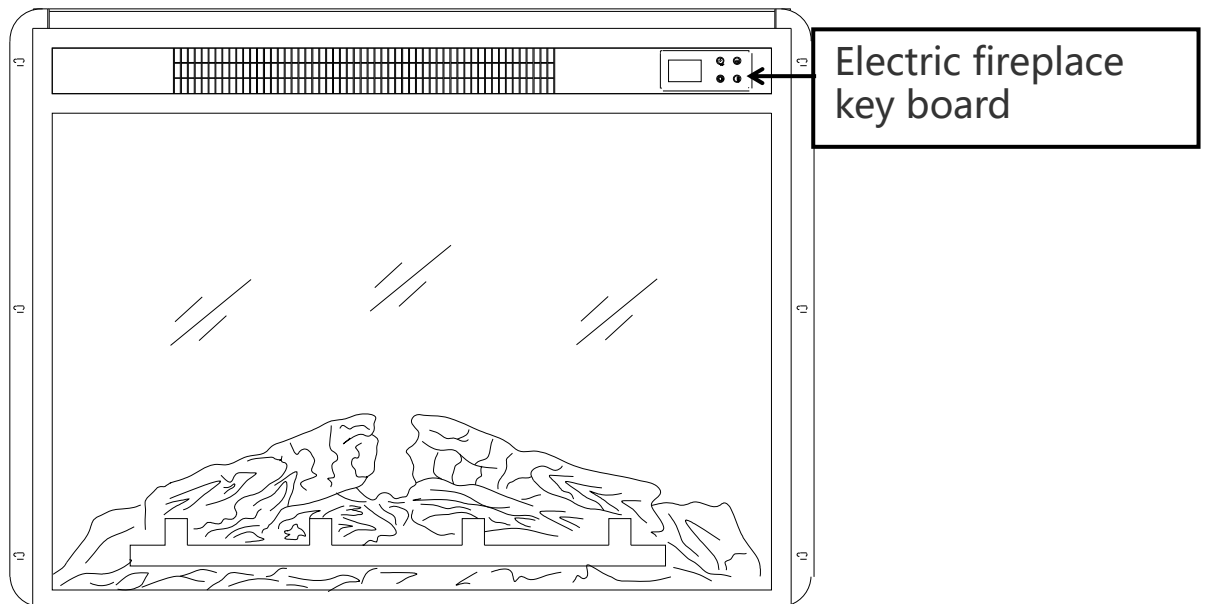
## HERE ARE TWO WAYS TO OPERATE THE ELECTRIC FIREPLACE:

\* **Keyboard operation of electric fireplace.**

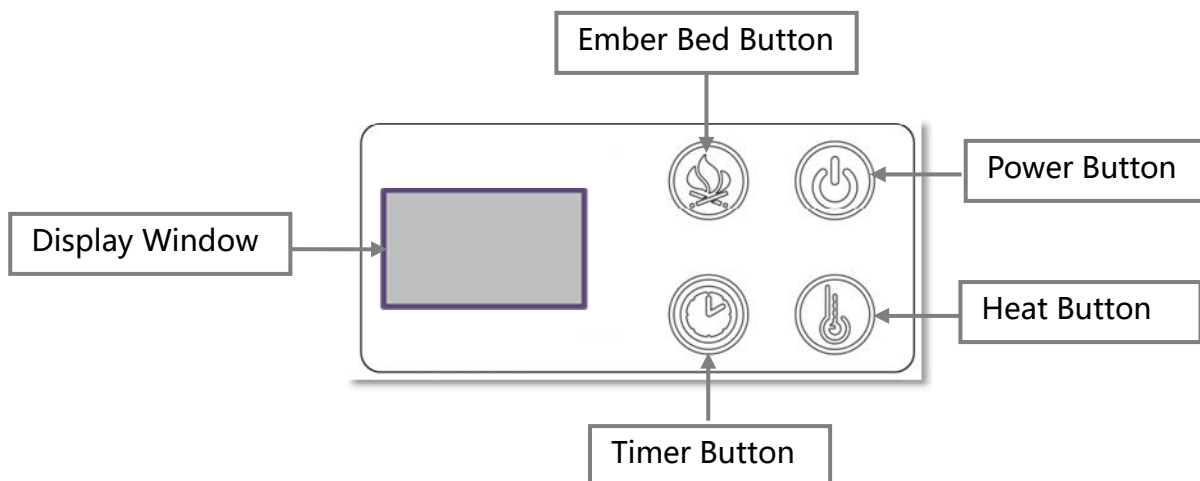
\* **Remote control operation.**






The keypad is on the upper right of the electric fireplace. (See Figure 2)

**Figure 2**

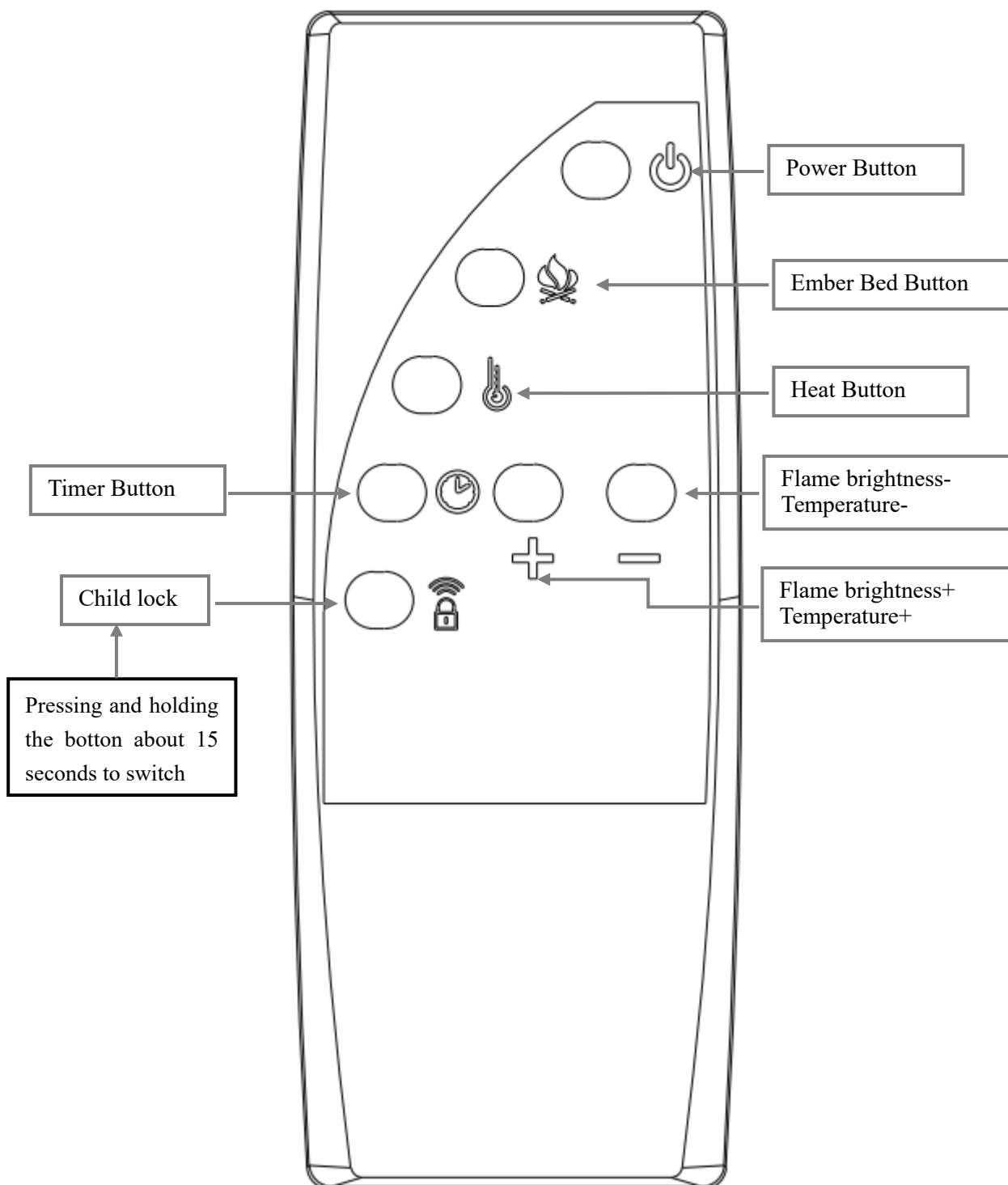


\***Keyboard operation of the electric fireplace.**



| BUTTON   | Operation   | Function  |
|--|---|---|
|  <b>Power</b>            | When the Power is turned on, the display shows the ambient temperature and the flame is turned on.  |   |
|  <b>Flame</b>            | Press the flame key to open the flame mode and display R/H/P.   | When R is displayed, the light is adjusted by the remote control +- symbol; when H is displayed, the flame animation is frozen; when P is displayed, the flame brightness breathing mode is displayed.  |
|  <b>Heater</b>          | Press and hold for 3 seconds to turn the heating on and off; Every time the heating function is turned on, the heating will be forced to heat for 20 seconds (testing and demonstration of heating function). | <ul style="list-style-type: none"> <li>● Press the heating key briefly to set the temperature, and do not operate for 15 seconds to lock the current temperature setting value;</li> <li>● The ambient temperature will be displayed after 15 seconds without any operation and the digital tube information screen will be displayed after 5 seconds (27°C/80 °F by default when heating is turned on);</li> <li>● When NTC senses that the ambient temperature is <math>\geq</math> the set temperature+2, the heater stops working (the fan is turned off with a delay of 3 seconds);</li> <li>● When NTC senses that the ambient temperature is lower than the set temperature, the heater will work again;</li> <li>● When the heating is turned off, the fan is delayed for 3 seconds;</li> <li>● The ambient temperature will be displayed after 15 seconds without any operation, and the digital tube information screen will be displayed after 5 seconds;</li> <li>● The default starting time is Fahrenheit (90°F/85°F/80°F/75°F/70°F/65°F/60°F), and it can be converted into Celsius (32°C/29°C/27°C/24°C/21°C/18°C/16°C) by pressing for 5 seconds.</li> </ul> |
|  <b>Timer</b>         | Long press the timer to turn it on or off the timer function, the default is 0.5H (timer can reach 8H).   | Press timer to select time 0.5H, 1H, 2H, 3H, 4H, 5H, 6H, 7H, 8H;<br>After 15 seconds of no operation, the setting will be automatically locked, the timer will be displayed, and the screen will be off after 5 seconds;<br>When the timer ends, it will automatically shut down  |
|  <b>Display Window</b> | Display the numbers flame, carbon bed, heating and timing   |   |

## Remote control operation:



## Technical Specification

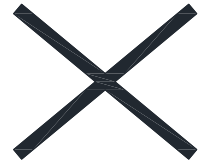
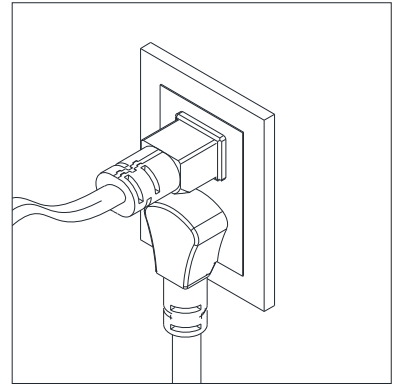
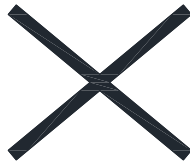
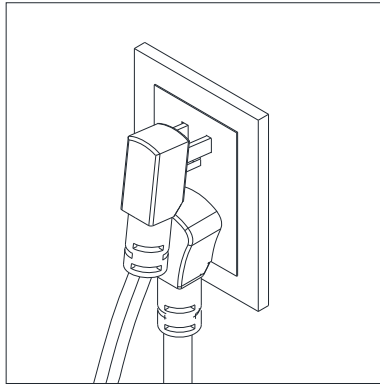
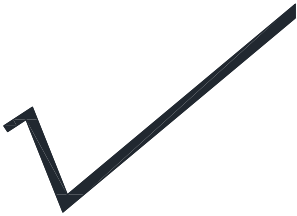
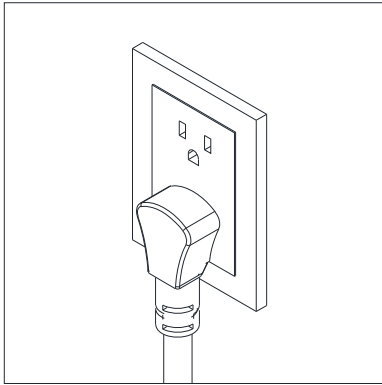
**Product name:** Electric fireplace

**Supply:** 120V AC 60Hz

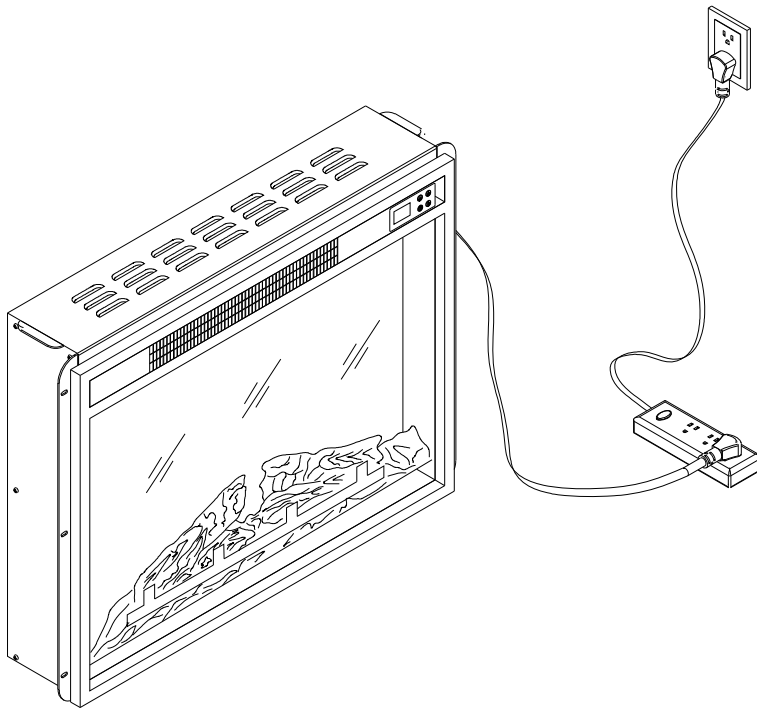
**Rated power:** 1500W



**Do not share a socket with other appliances when using electric fireplace, please use a dedicated socket.**



**Never use with an extension cord or relocatable power tap (outlet / power strip).**



## MAINTENANCE:

Clean the metal trim using a water-dampened soft, clean cloth. DO NOT use brass polish or household cleaners as these products will damage the metal trim.

The motors used on the fan and the flame generator assembly are pre-lubricated for extended bearing life and require no further lubrication. However, periodic cleaning/vacuuming of the fan/heater and air intake/output vents is recommended.

The heater should be cleaned and inspected regularly, depending on conditions, and at least at yearly intervals.

**WARNING:** Any electrical repairs of this unit should be carried out by a licensed electrician in accordance with national and local codes.

**WARNING:** Disconnect power by unplugging the power and allowing the heater to cool before attempting any maintenance or cleaning to reduce the risk of fire, electric shock, or injury.

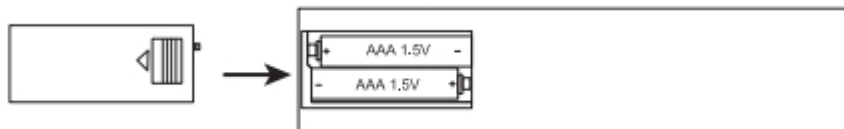
**NOTE:** When the heater is not in use, the heater should be stored in a dry location, away from possible damage. The power cord should be stored properly to avoid contact with hot or sharp objects.

## REMOTE CONTROL:

The battery compartment is located on the back end of the remote control.

1. Press and slide the battery cover open.
2. Insert two 1.5V (AAA) batteries (included) ensuring they are installed correctly with regard to the polarities (+ and -) marked on the inside of the battery compartment.
3. Replace the battery cover.

**NOTE:** The battery should be removed if the product is to be left unused for a long time.



When replacing the batteries, replace both batteries at the same time with new batteries of the correct type.

- Do not mix old and new batteries.
- Do not mix alkaline, standard (Carbon-Zinc), or rechargeable (Nicad, Nimh, etc) batteries.