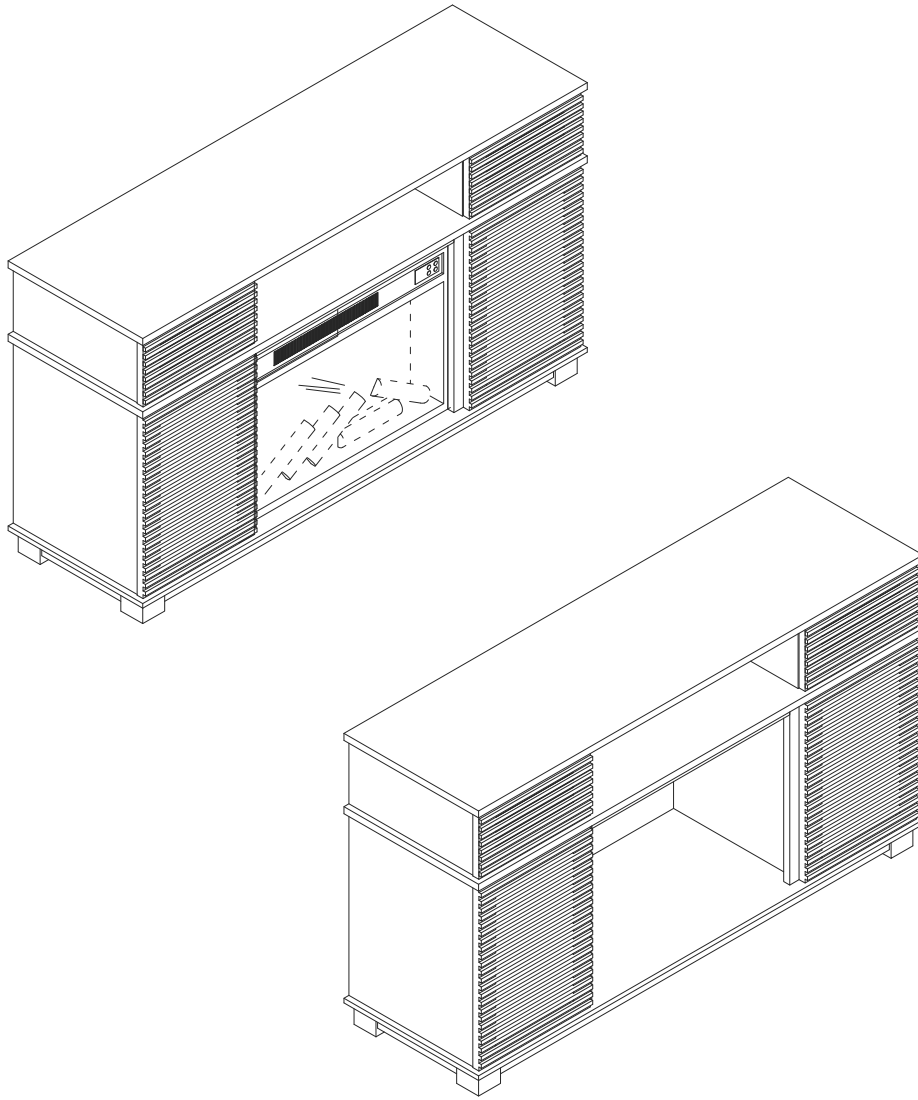


Betsa TV Stand with fireplace

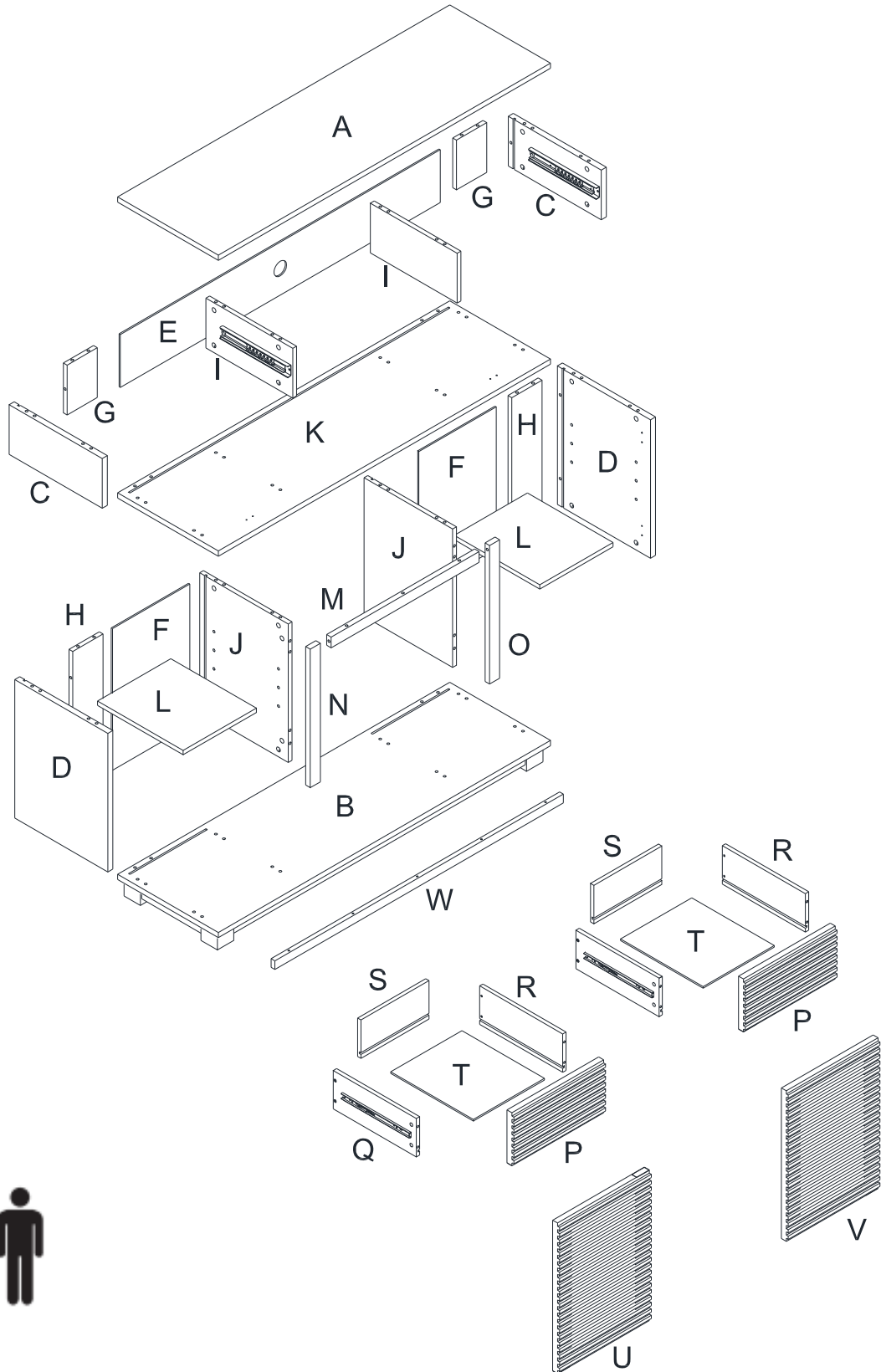


ITEM NO. ZTVJT0285

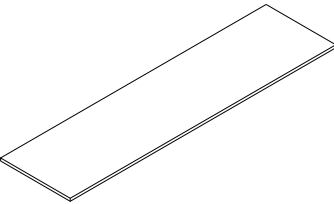
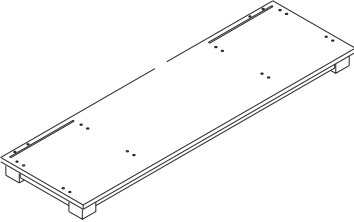
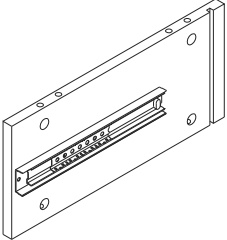
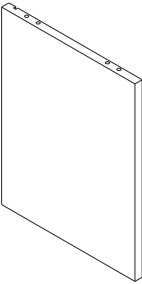
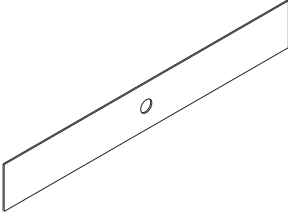
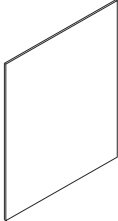
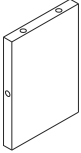

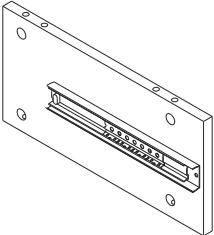
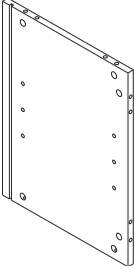
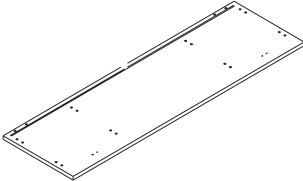
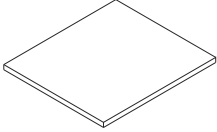
Thank you for purchasing the TV Stand with fireplace.. Please read the instructions and warnings carefully before use, to ensure safe and satisfactory operation of this product. At HULALA home we are committed to making great products possible. From our in-house Design Team, to our Buyers, we work together to bring great designs to life. Our expert Product Technologists work collaboratively with our buyers and suppliers to assure the legality, safety and quality of the product we sell. We are all committed to designing and developing products to the highest industry standards. We hope you are happy with your product and welcome any feedback or comments you may have.

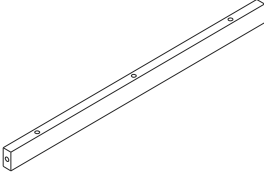


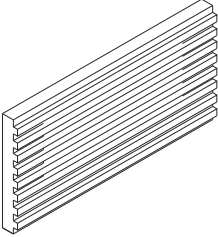
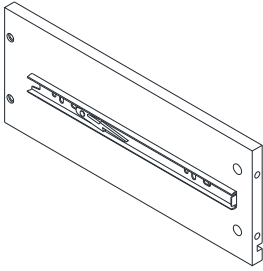
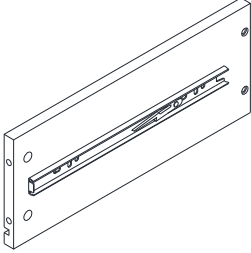
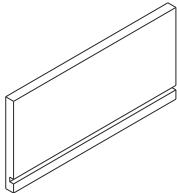
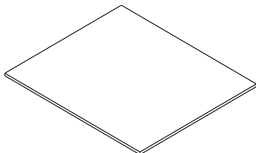
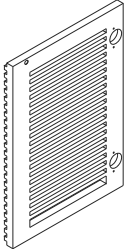
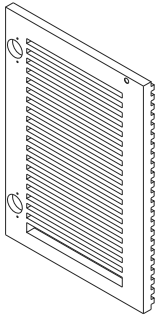
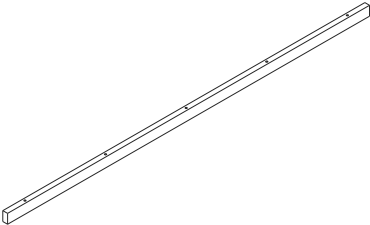
EXPLOSIVE VIEW

ITEM NO. ZTVJT0285

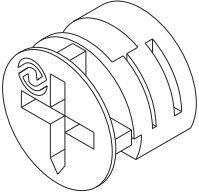
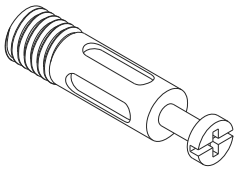
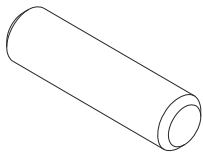
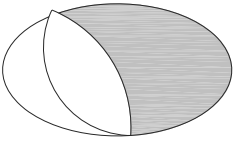
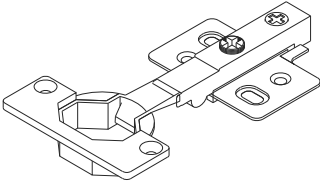
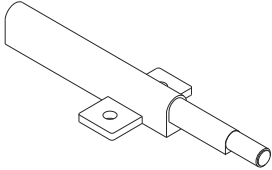
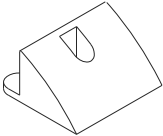
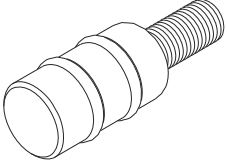
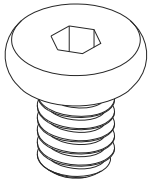
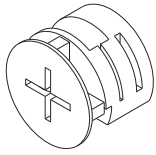
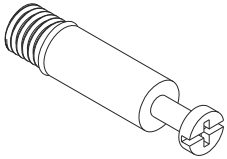
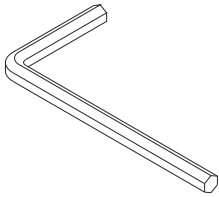
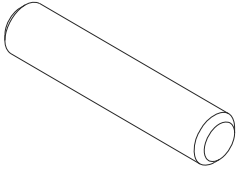
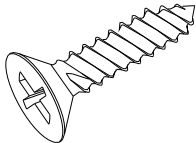
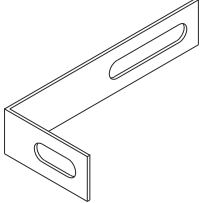


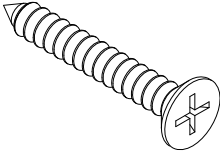
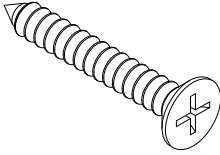
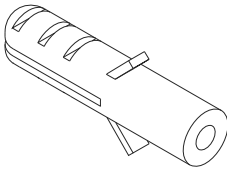
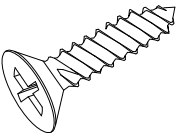
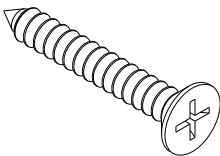
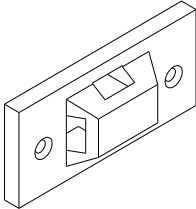
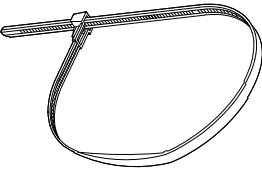
PARTS LIST

<p>A x1</p>  <p>Top Panel</p>	<p>B x1</p>  <p>Bottom Frame</p>	<p>C x2</p>  <p>Upper Side Panel</p>
<p>D x2</p>  <p>Lower Side Panel</p>	<p>E x1</p>  <p>Upper Back Panel</p>	<p>F x2</p>  <p>Lower Back Panel</p>
<p>G x2</p>  <p>Upper Back Vertical Panel</p>	<p>H x2</p>  <p>Lower Back Vertical Panel</p>	<p>I x2</p>  <p>Upper Middle Panel</p>
<p>J x2</p>  <p>Lower Middle Panel</p>	<p>K x1</p>  <p>Middle Panel</p>	<p>L x2</p>  <p>Adjustable Shelf</p>

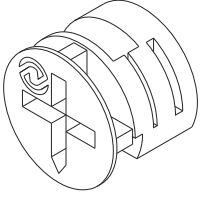
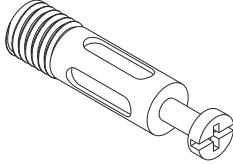
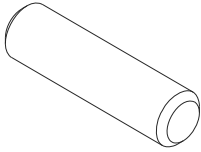
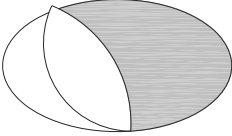
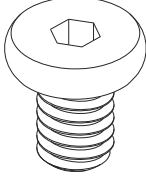
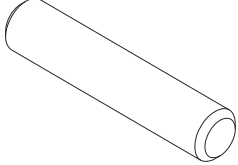
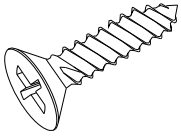
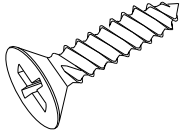
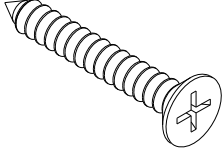
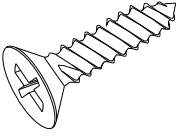
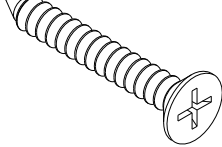
<p>M x1</p>  <p>Rail</p>	<p>N x1</p>  <p>Left Rail</p>	<p>O x1</p>  <p>Right Rail</p>
<p>P x2</p>  <p>Drawer Front</p>	<p>Q x2</p>  <p>Drawer Left Side</p>	<p>R x2</p>  <p>Drawer Right Side</p>
<p>S x2</p>  <p>Drawer Back</p>	<p>T x2</p>  <p>Drawer Bottom</p>	<p>U x1</p>  <p>Left Door</p>
<p>V x1</p>  <p>Right Door</p>	<p>W x1</p>  <p>Metal Tube</p>	<p>x1</p>

HARDWARE LIST

<p>1 x61</p>  <p>Cam Lock $\varnothing 15 \times 12 \text{mm}$</p>	<p>2 x61</p>  <p>Cam Bolt M6*32mm</p>	<p>3 x22</p>  <p>Wood Dowel $\varnothing 8 \times 30 \text{mm}$</p>
<p>4 x61</p>  <p>Cover $\varnothing 20 \text{mm}$</p>	<p>5 x4</p>  <p>Hinge</p>	<p>6 x4</p>  <p>Door Stop</p>
<p>7 x14</p>  <p>Button</p>	<p>8 x8</p>  <p>Shelf Pin</p>	<p>9 x1</p>  <p>Blot M6*10mm</p>
<p>10 x8</p>  <p>Cam Lock $\varnothing 12 \times 10 \text{mm}$</p>	<p>11 x8</p>  <p>Cam Bolt M6*25mm</p>	<p>12 x1</p>  <p>Allen Wrench #4</p>
<p>13 x8</p>  <p>Wood Dowel $\varnothing 8 \times 50 \text{mm}$</p>	<p>14 x32</p>  <p>Screw M3.5*14mm</p>	<p>15 x1</p>  <p>Bracket</p>

<p>16 x8</p>  <p>Screw M3.5*25mm</p>	<p>17 x5</p>  <p>Screw M4*45mm</p>	<p>18 x4</p>  <p>Anchor</p>
<p>19 x18</p>  <p>Screw M3*16 mm</p>	<p>20 x4</p>  <p>Screw M4*35mm</p>	<p>21 x4</p>  <p>Bracket</p>
<p>22 x2</p>  <p>Tie</p>		


SPARE

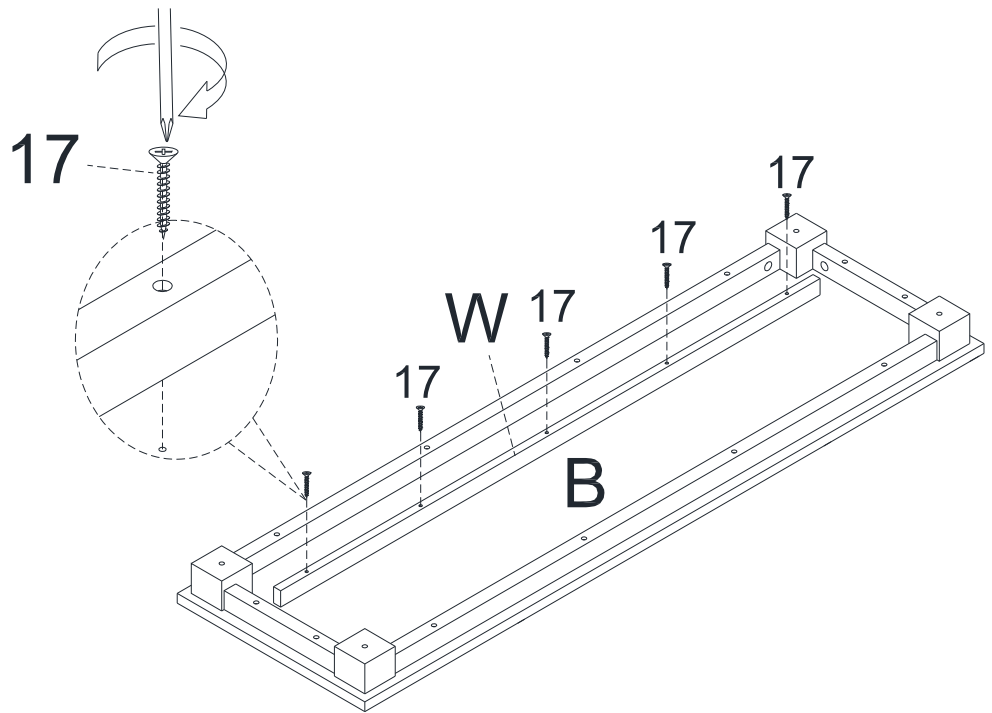
<p>1 x2</p>  <p>Cam Lock $\varnothing 15 \times 12 \text{mm}$</p>	<p>2 x2</p>  <p>Cam Bolt M6*32mm</p>	<p>3 x1</p>  <p>Wood Dowel $\varnothing 8 \times 30 \text{mm}$</p>
<p>4 x1</p>  <p>Cover $\varnothing 20 \text{mm}$</p>	<p>9 x1</p>  <p>Blot M6*10mm</p>	<p>13 x1</p>  <p>Wood Dowel $\varnothing 8 \times 50 \text{mm}$</p>
<p>14 x1</p>  <p>Screw M3.5*14mm</p>	<p>16 x1</p>  <p>Screw M3.5*25mm</p>	<p>17 x1</p>  <p>Screw M4*45mm</p>
<p>19 x1</p>  <p>Screw M3*16mm</p>	<p>20 x1</p>  <p>Screw M4*45mm</p>	

Be sure to check all packing material carefully for small parts, which may have come loose inside the carton during shipment.

ASSEMBLY INSTRUCTION



STEP 1

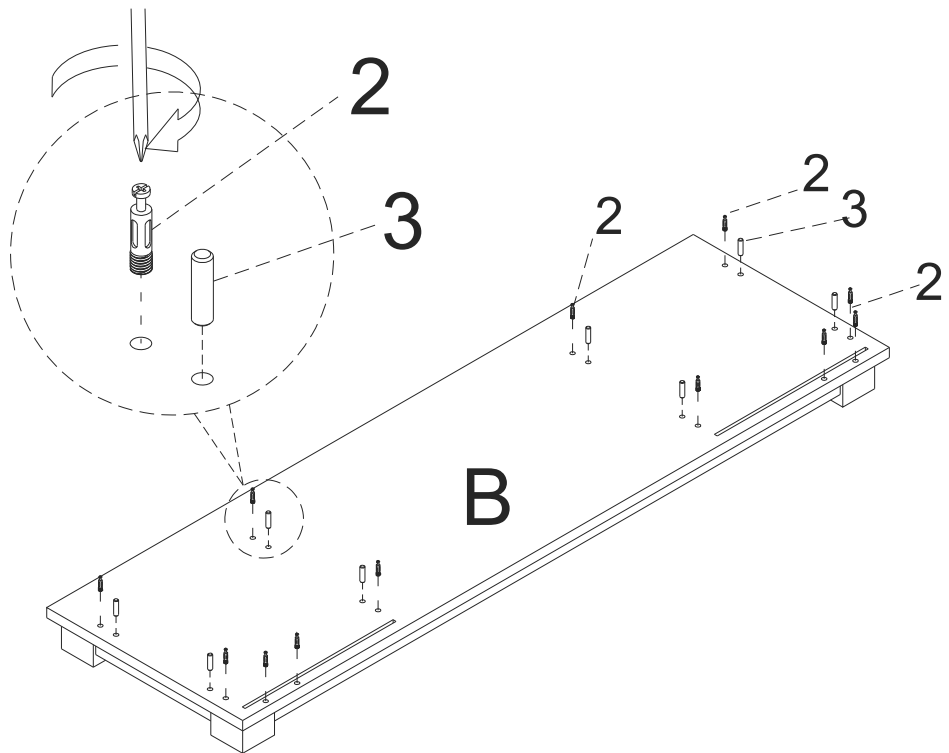
17		X5
----	---	----



Attach Metal Tube(W) to Bottom Frame(B) with Screw(17) ,tight it with screwdriver.


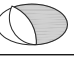
STEP 2

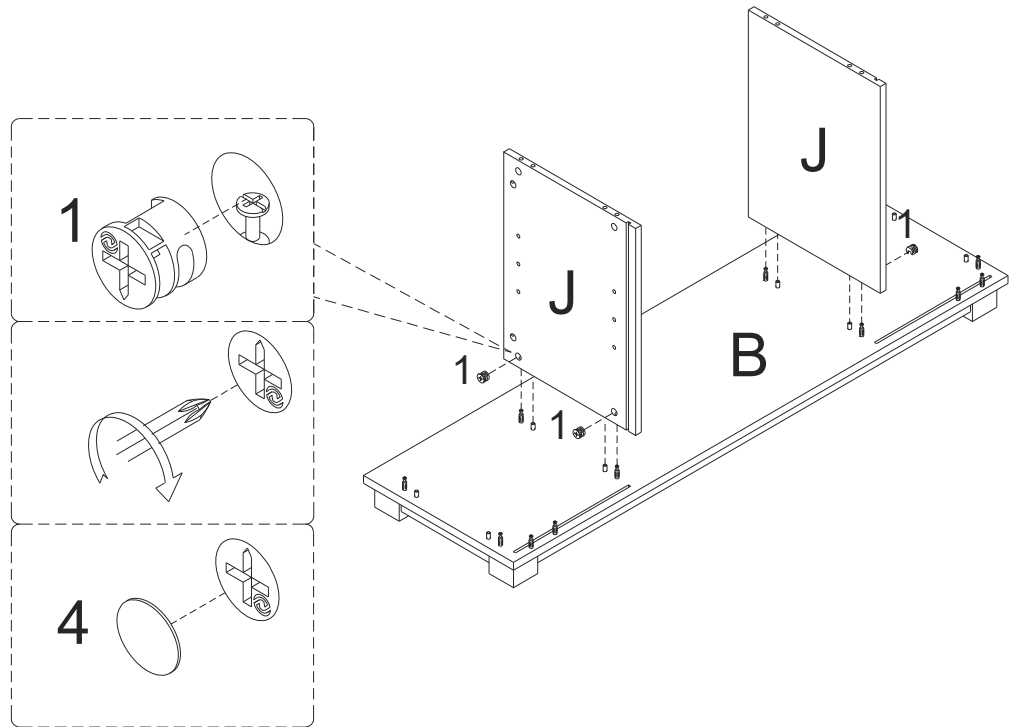
2		X12
3		X8



Attach Cam Bolt(2) and Wood Dowel(3) to Bottom Panel(B) , tight it with screwdriver.


STEP 3

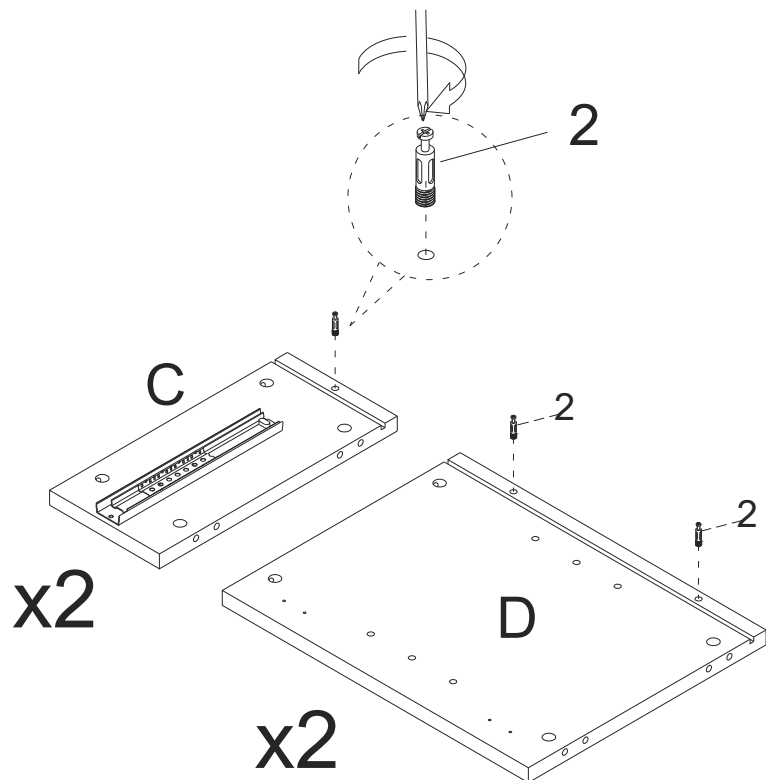
1		X4
4		X4



Attach Lower Middle Panel(J) to Bottom Frame(B) with Cam Lock(1) and Cover(4) ,tight it with screwdriver.


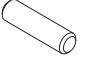
STEP 4

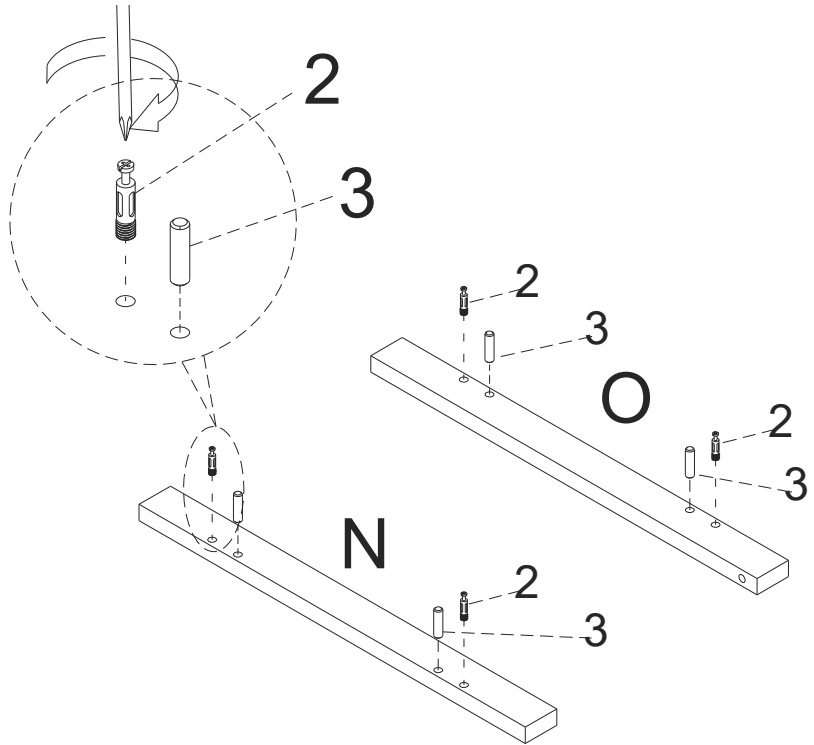
2		X6
---	---	----



Attach Cam Bolt(2) to Side Panel(C/D), tight it with screwdriver.


STEP 5

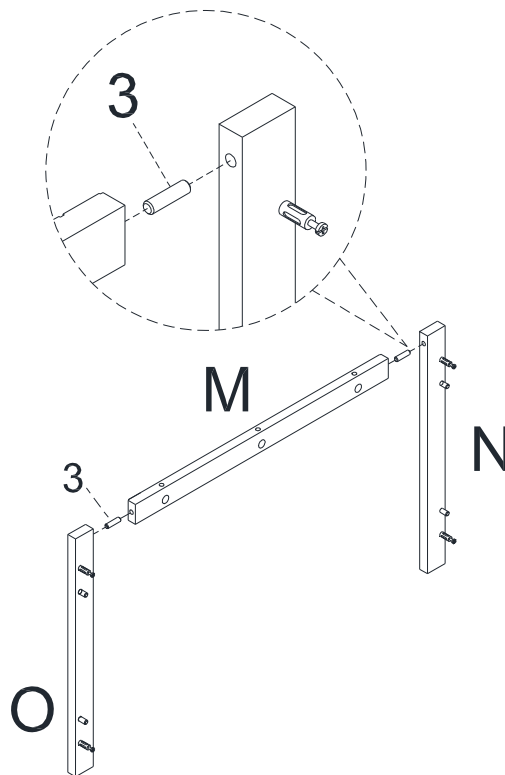
2		X4
3		X4



Attach Cam Bolt(2) and Wood Dowel(3) to Rail(N/O) , tight it with screwdriver.

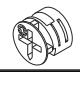

STEP 6

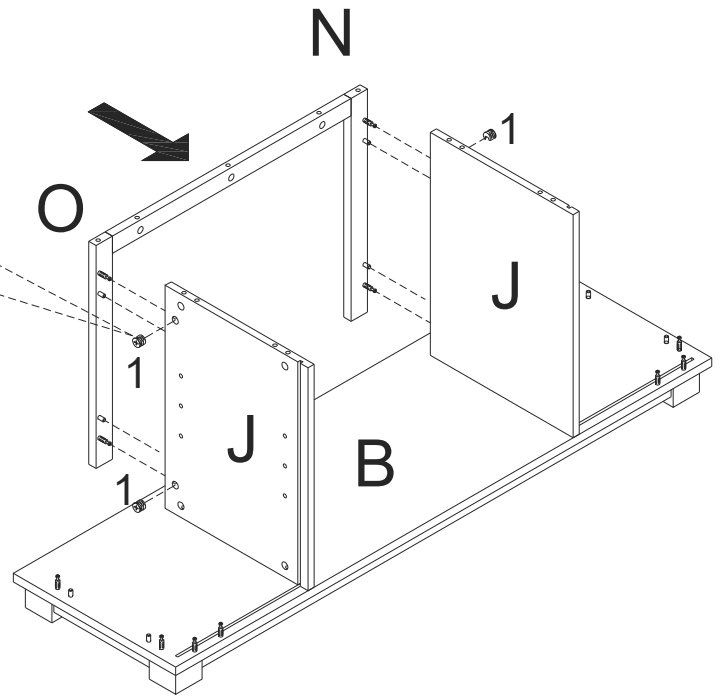
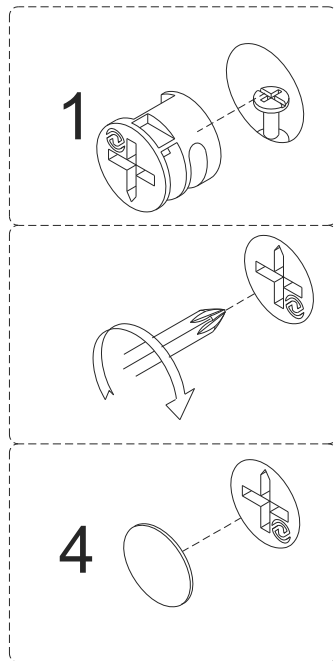
3		X2
---	---	----



Attach Rail(O/N) to Rail(M) with Wood Dowel(3).

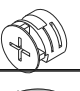

STEP 7

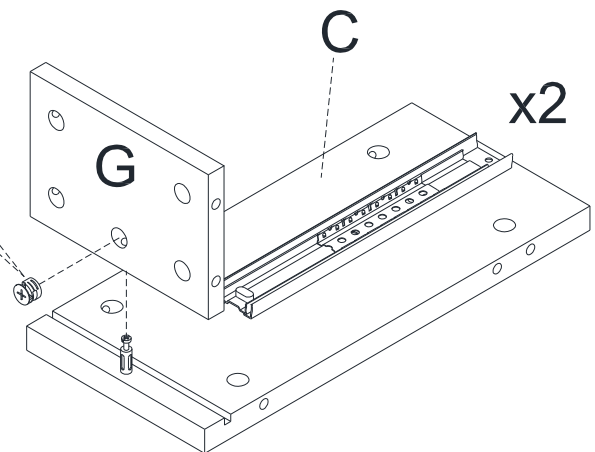
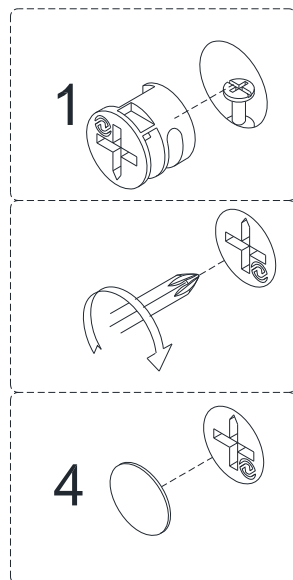
1		X4
4		X4



Attach Rail(O/N) to Lower Middle Panel(J) with Cam Lock(1) and Cover(4) ,tight it with screwdriver.


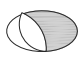
STEP 8

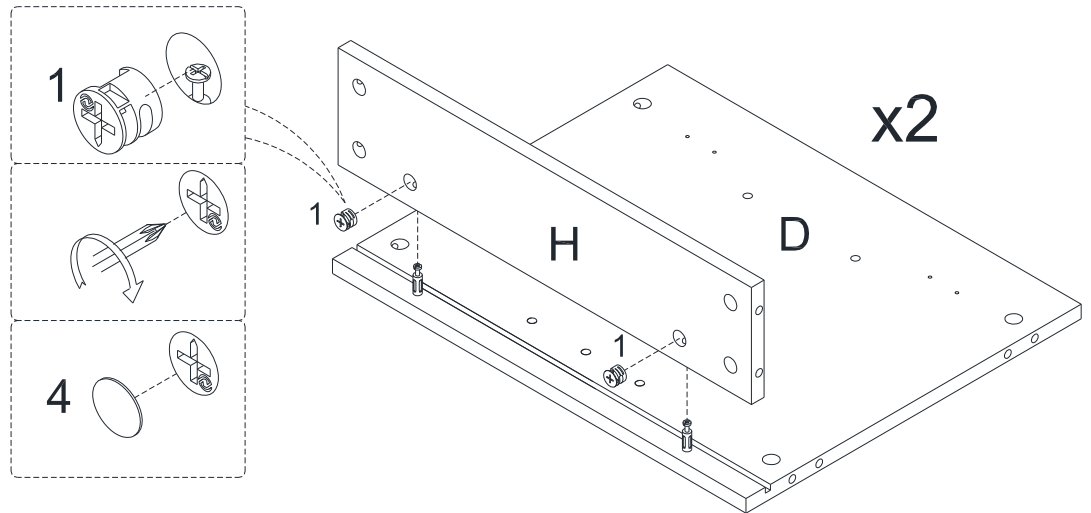
1		X2
4		X2



Attach Upper Back Vertical Panel(G) to Upper Side Panel(C) with Cam Lock(1) and Cover(4) ,tight it with screwdriver.


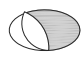
STEP 9

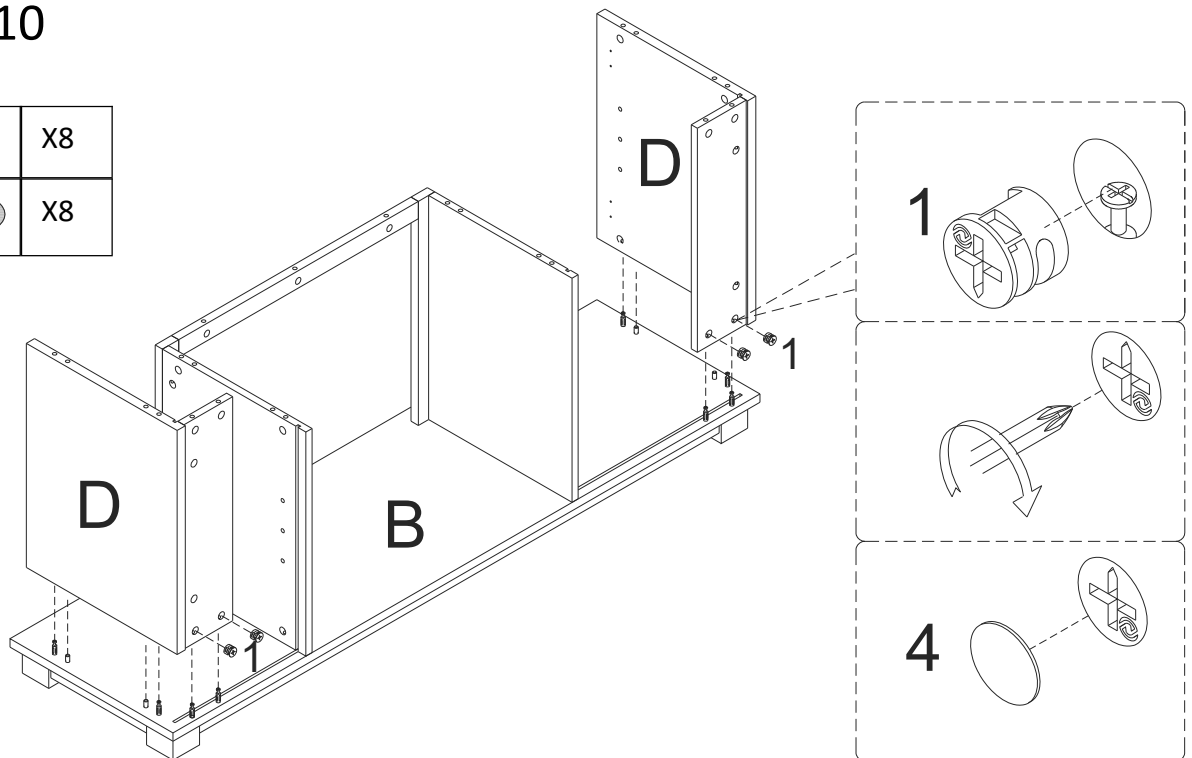
1		X4
4		X4



Attach Lower Back Vertical Panel(H) to Lower Side Panel(D) with Cam Lock(1) and Cover(4) ,tight it with screwdriver.

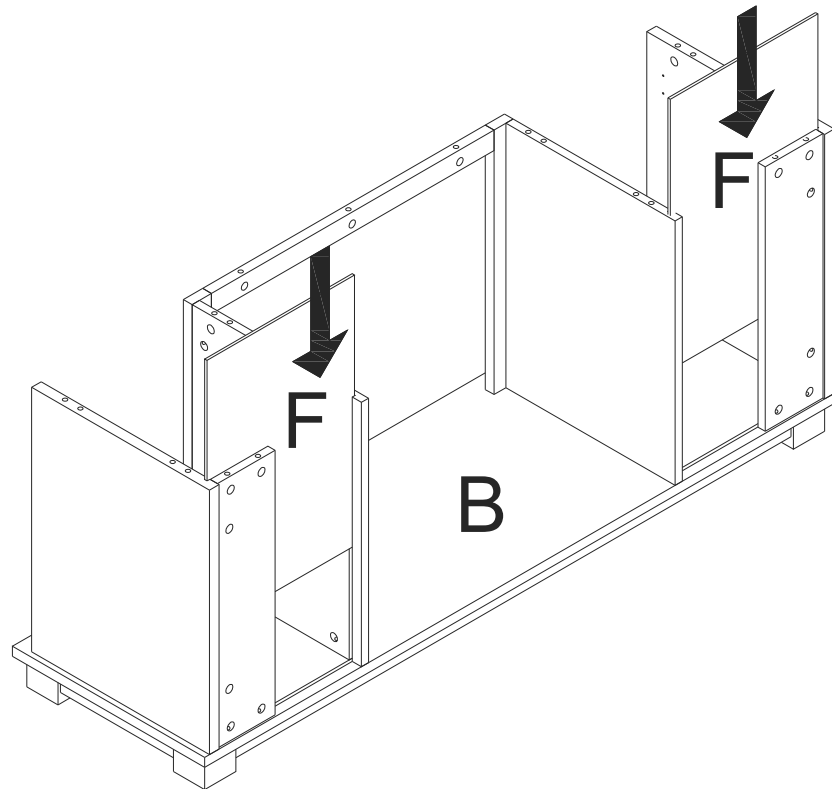
STEP 10

1		X8
4		X8




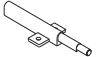
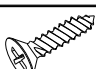
Attach Lower Side Panel(D) to Bottom Frame(B) with Cam Lock(1) and Cover(4) ,tight it with screwdriver.

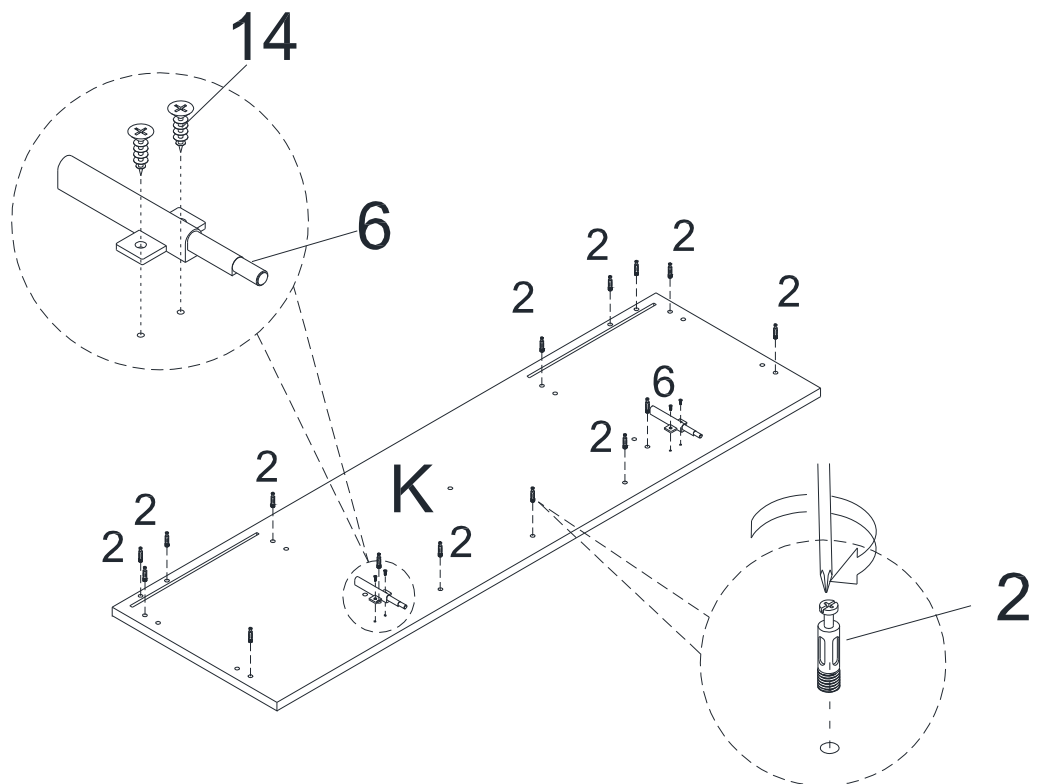
STEP 11



Attach Lower Back Panel (F) to preassemble unit at step 9.

STEP 12

2		X15
6		X2
14		X4

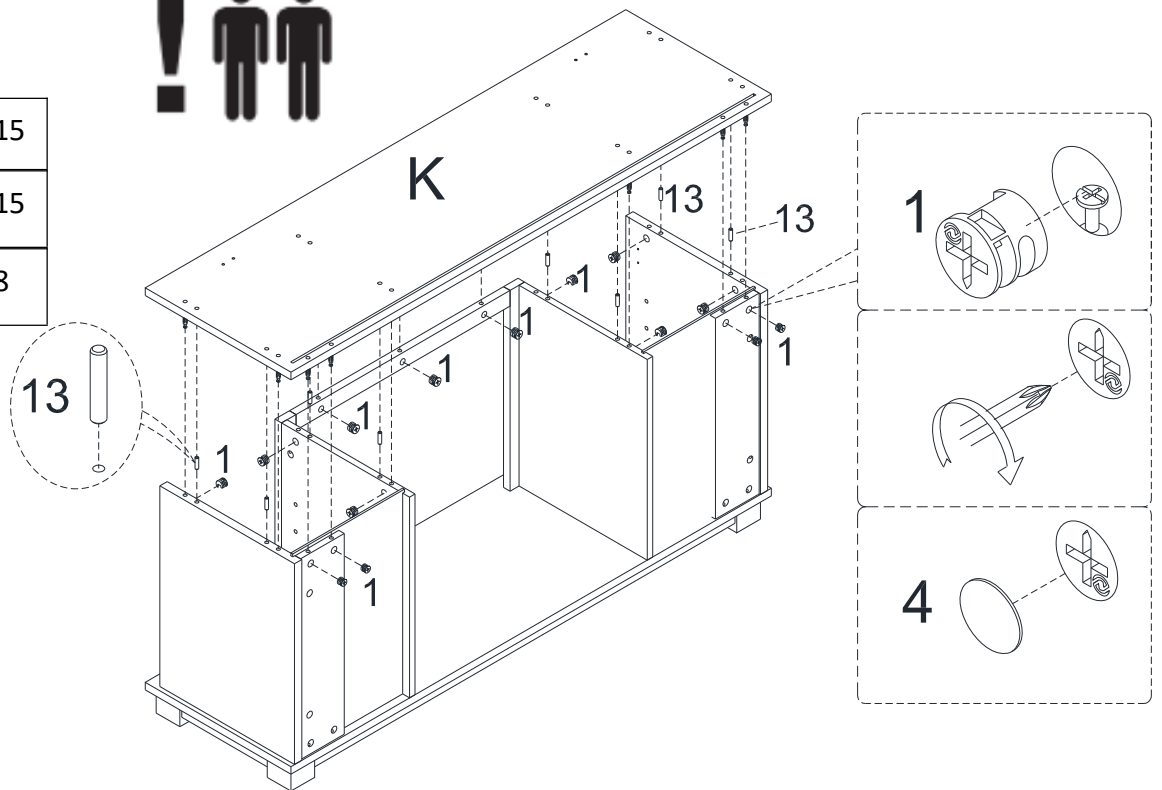


Attach Cam Bolt(2) to Middle Panel(K) , Attach Door Stop(6) to Middle Panel(K) with Screw(14) , tight it with screwdriver.

STEP 13



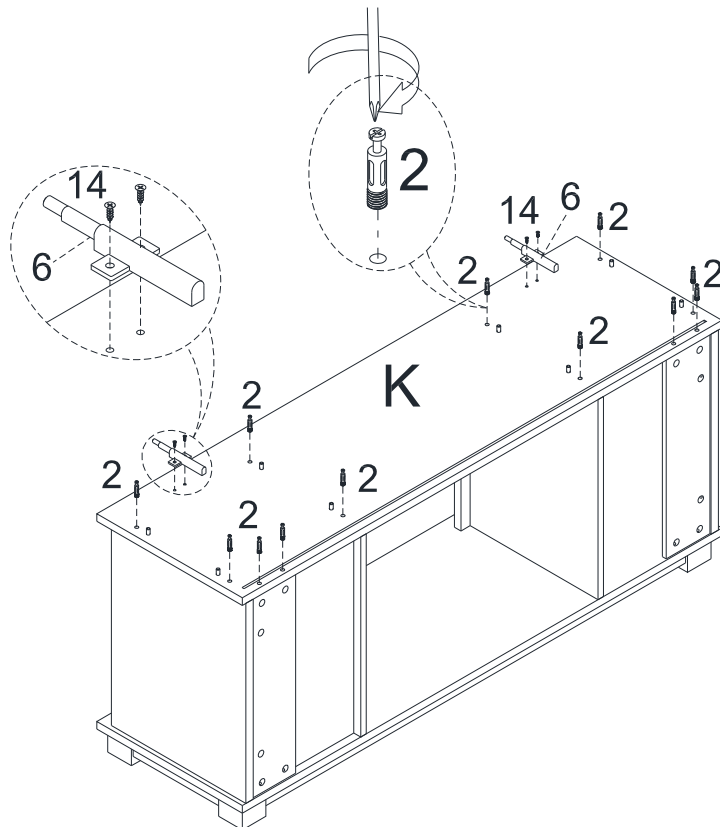
1		X15
4		X15
13		X8



Attach Middle Panel(K) to preassemble unit at step11 with Cam Lock(1) and Cover(4) and Wood Dowel(13) ,tight it with screwdriver.


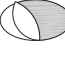
STEP 14

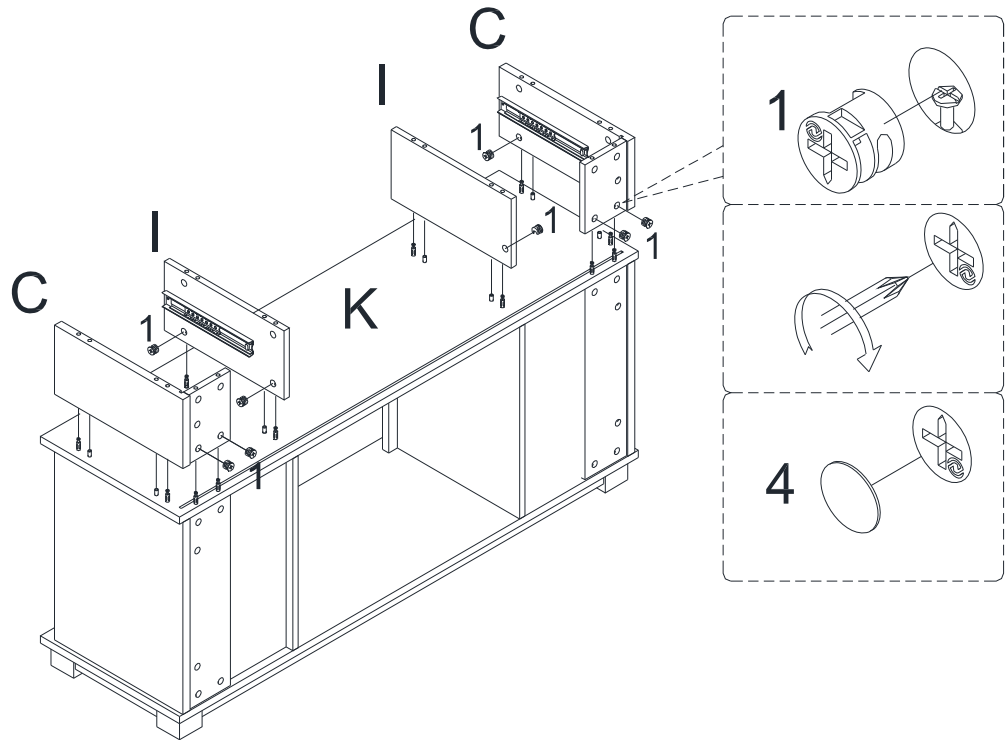
2		X12
6		X2
14		X4



Attach Cam Bolt(2) to Middle Panel(K) , Attach Door Stop(6) to Middle Panel(K) with Screw(14) , tight it with screwdriver.

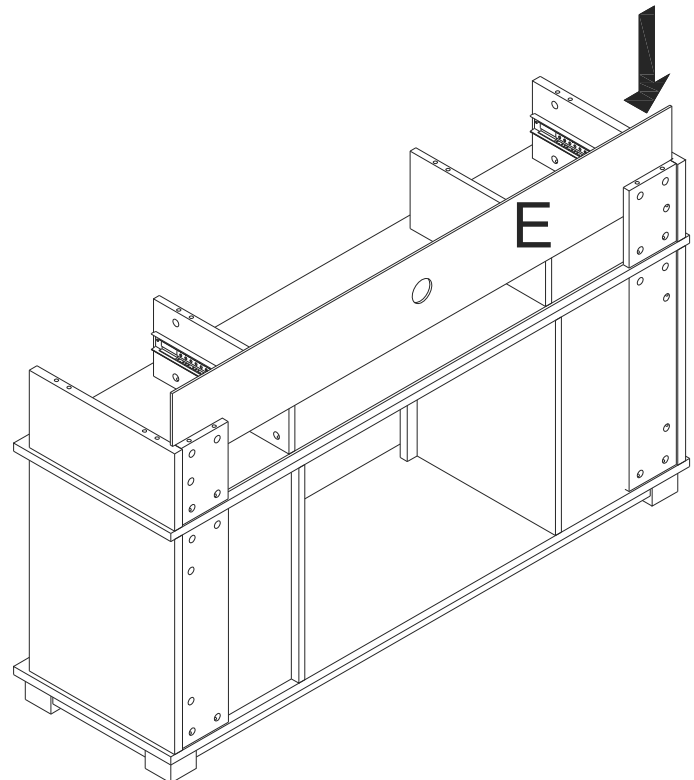
STEP 15

1		X12
4		X12



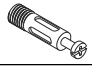
Attach Upper Side Panel(C) and Upper Middle Panel(I) to Middle Panel(K) with Cam Lock(1) and Cover(4) ,tight it with screwdriver.

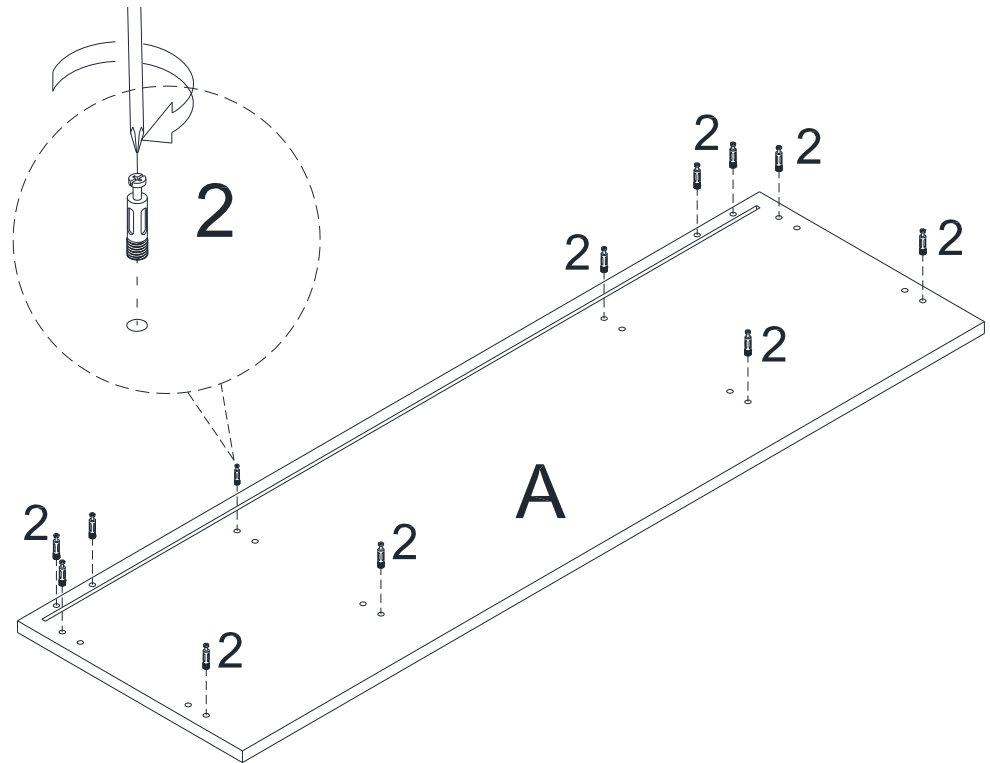
STEP 16



Attach Upper Back Panel(E) to preassemble unit at step 15.

STEP 17

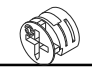
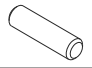
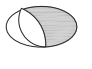
2		X12
---	---	-----

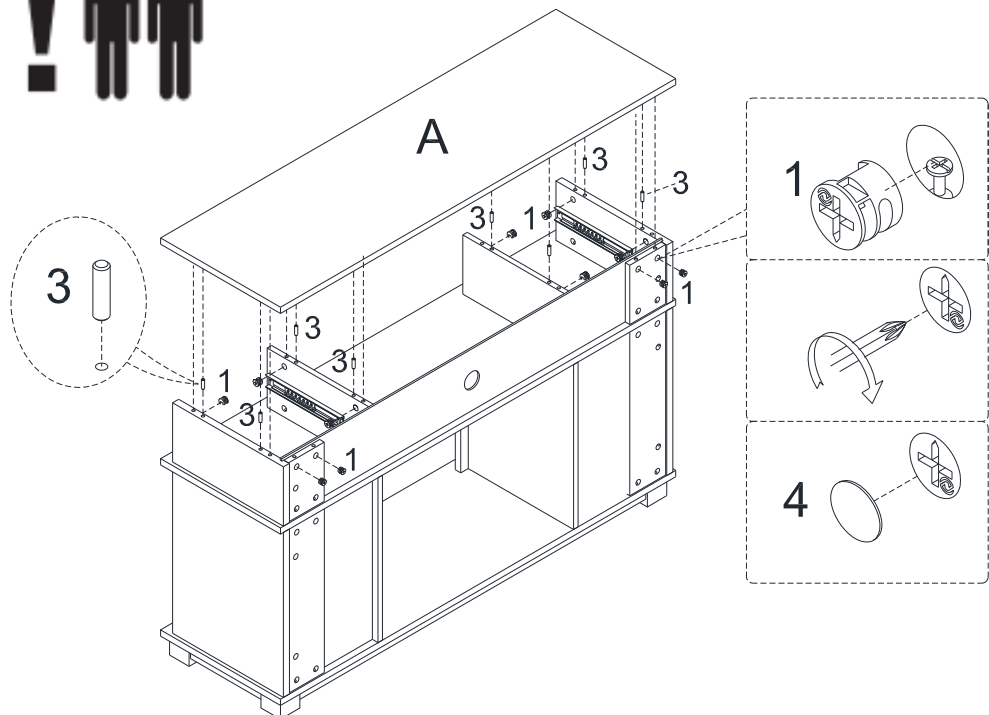


Attach Cam Bolt(2) to Top Panel(A) , tight it with screwdriver.

STEP 18

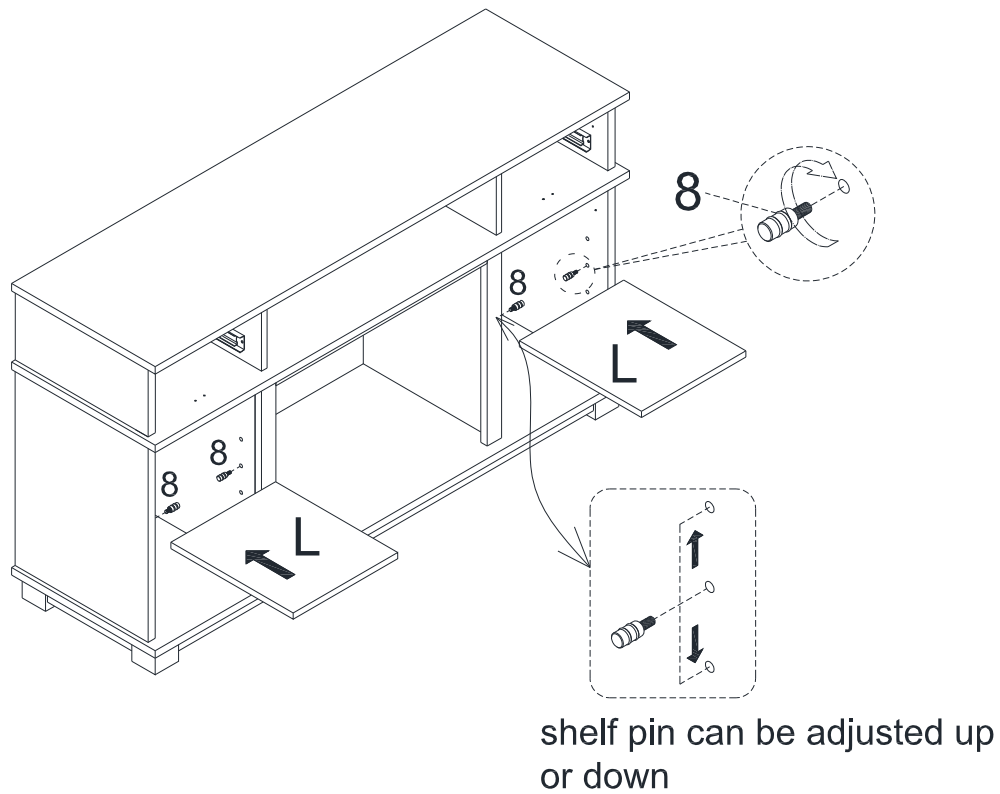
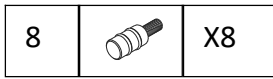


1		X12
3		X8
4		X12



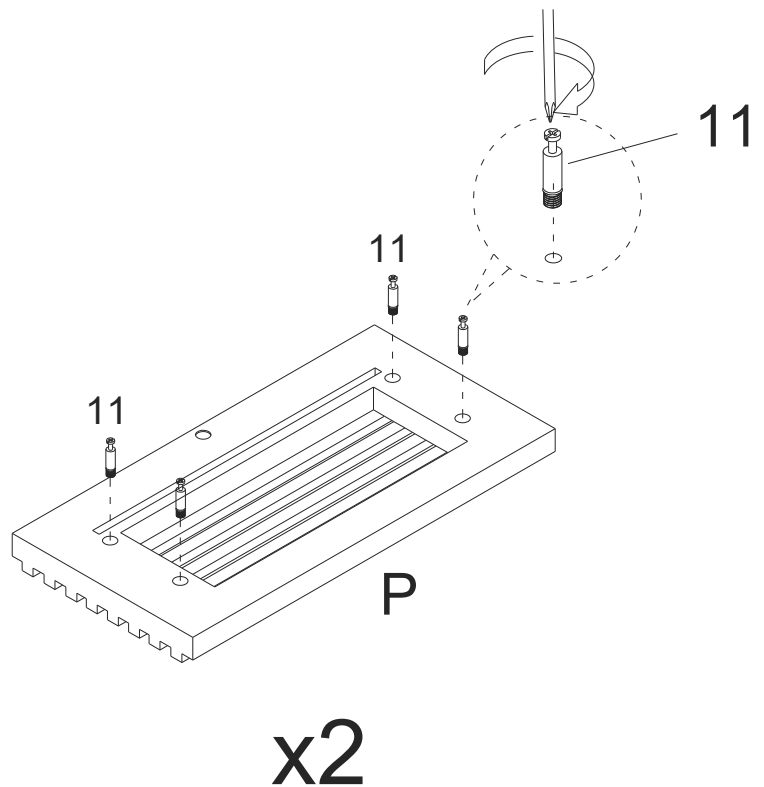
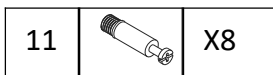
Attach Top Panel(A) to preassemble unit at step16 with Cam Lock(1) and Cover(4) and Wood Dowel(3) ,tight it with screwdriver.

STEP 19




Insert Shelf Pin(8) to preassemble unit at step 18, and attach Adjustable Shelf (L) to it.

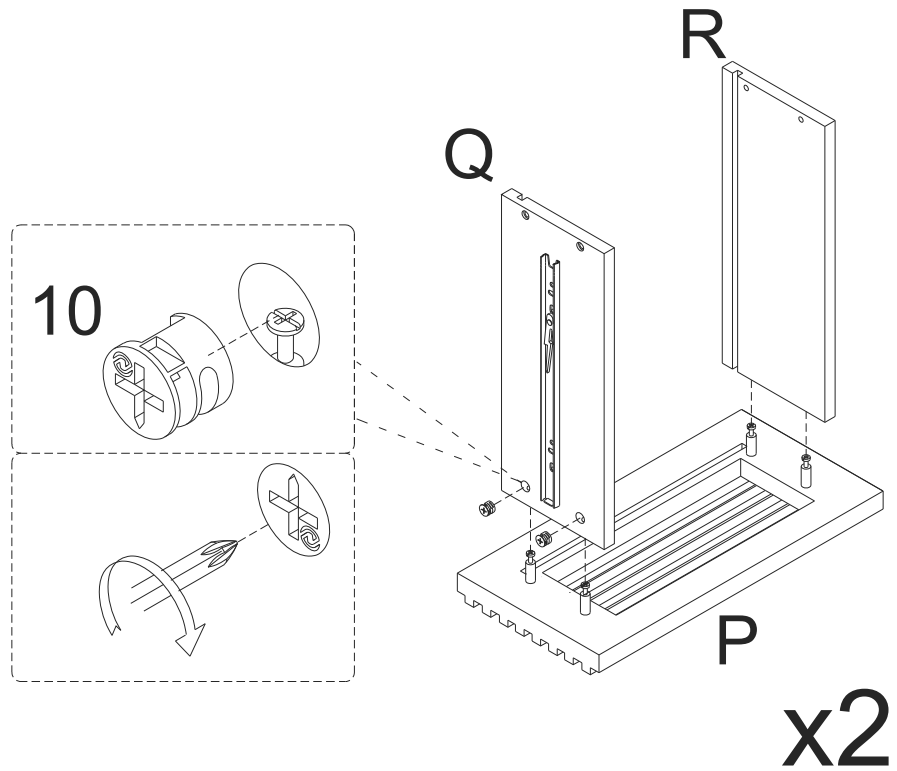
STEP 20



Attach Cam Bolt(11) to Drawer Front(P) , tight it with screwdriver.

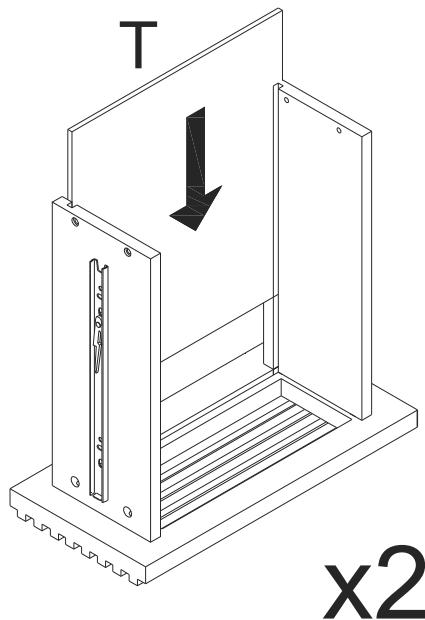
STEP 21

10		X8
----	---	----



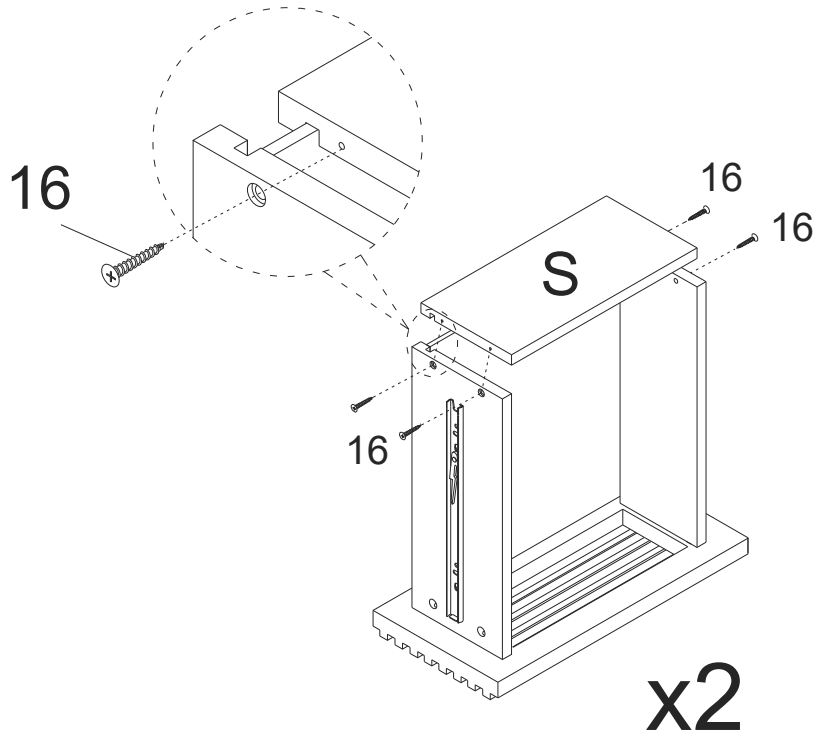
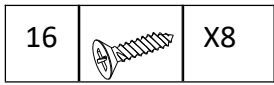
Attach Drawer Side(Q/R) to Drawer Front(P) with Cam Lock(10) ,tight it with screwdriver.

STEP 22



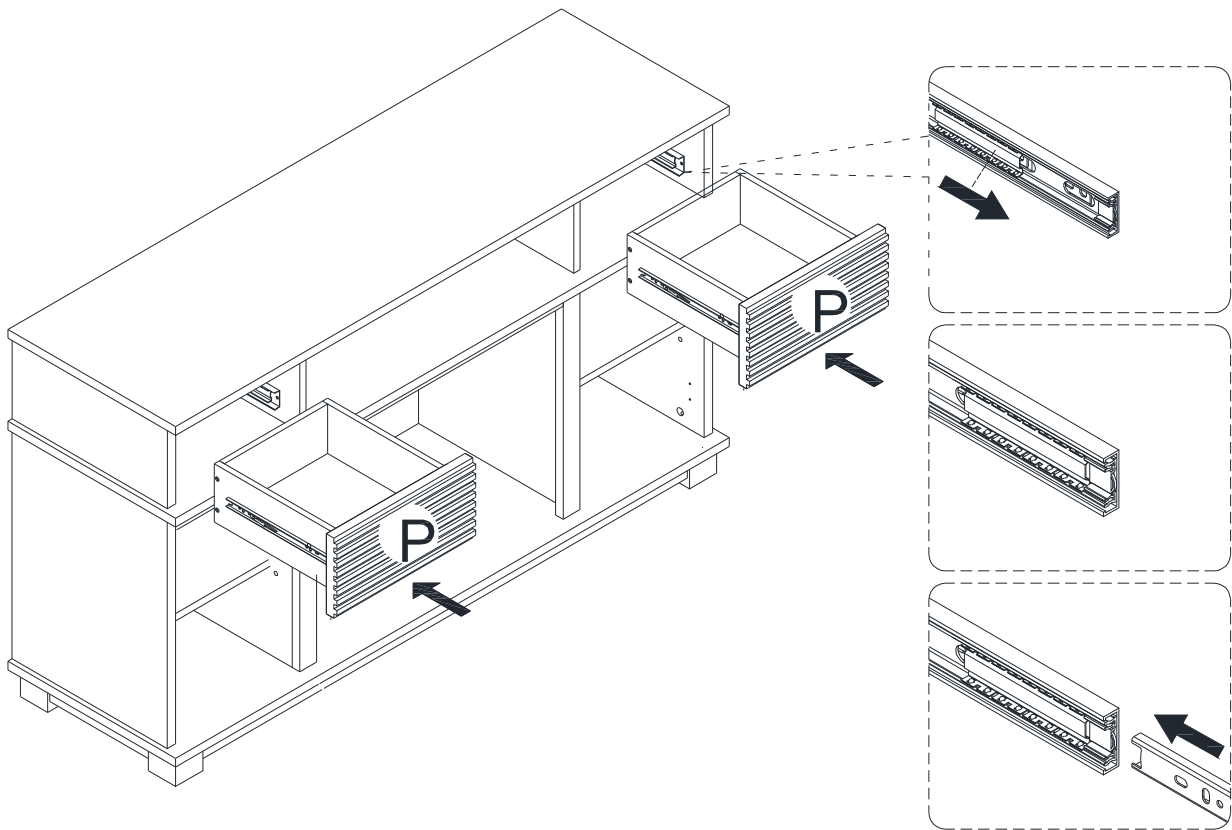
Attach Drawer Bottom (T) to preassemble unit at step 21.

STEP 23



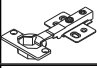

Attach Drawer Back(S) to preassemble unit at step 22 with Screw(16), then tight screw with screwdriver.

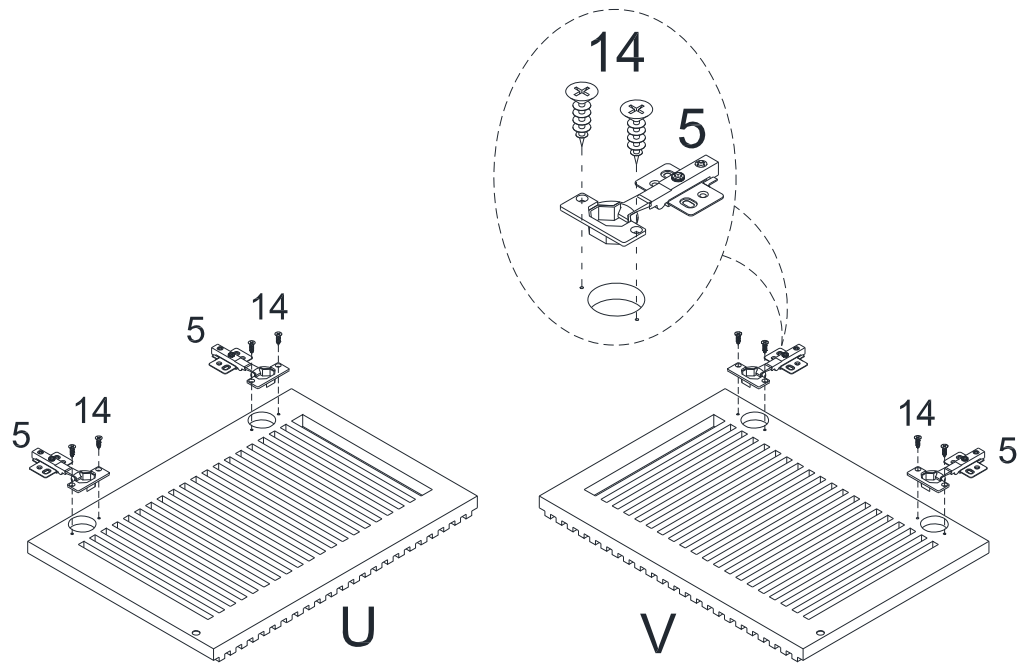
STEP 24



Attach Drawer(P) to the body as shown.


STEP 25

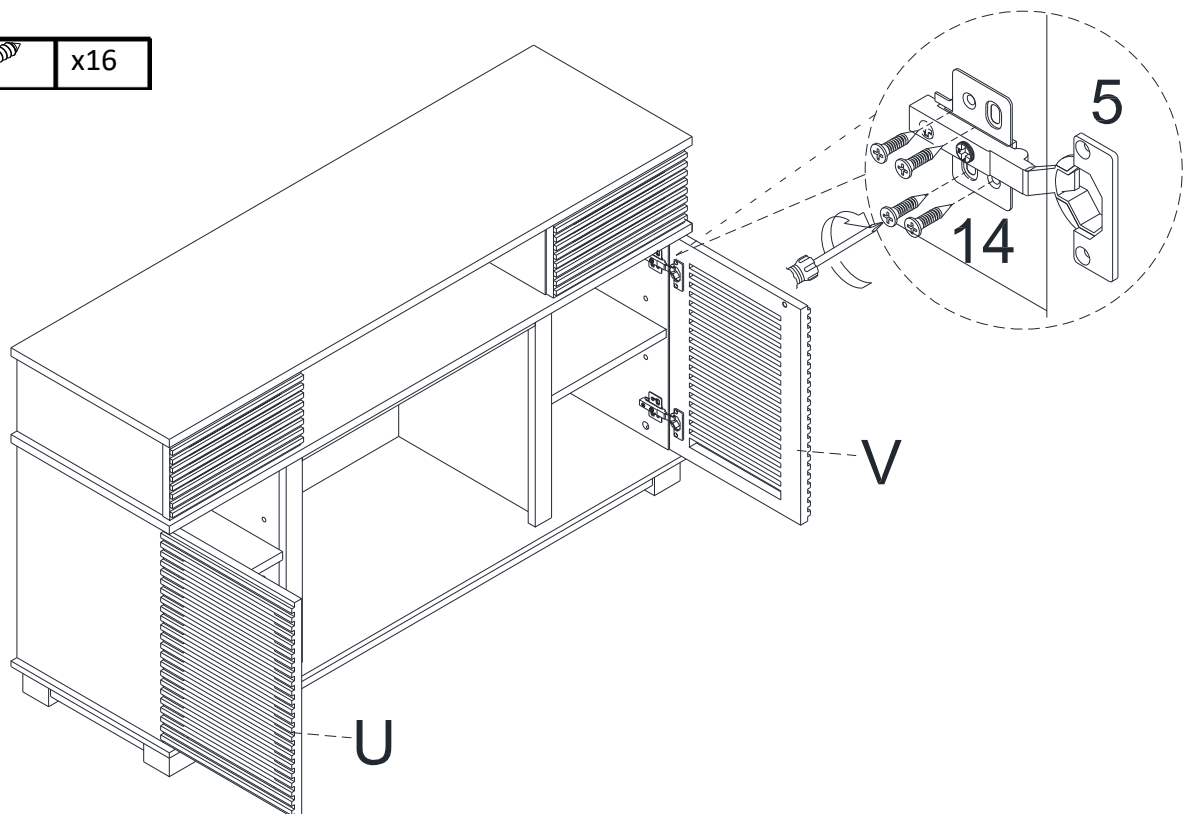
5		X4
14		X8



Attach Hinge(5) to Door(U/V) with Screw(14), then tight screw with screwdriver.

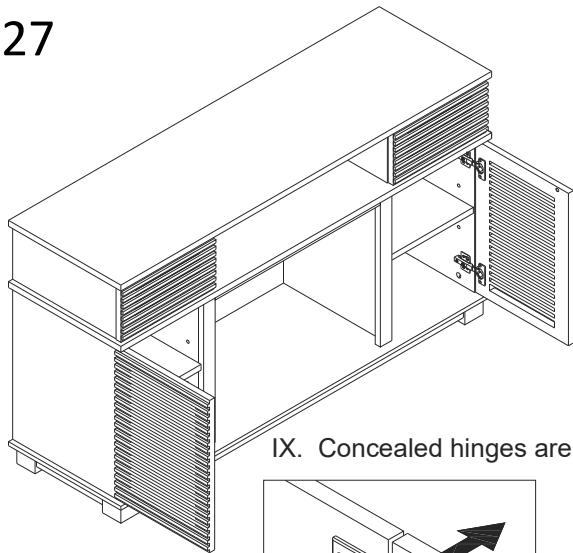
STEP 26

14		x16
----	---	-----

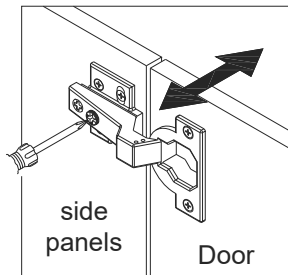


Attach Door(U/V) to the unit preassembly at step 24 with Screw(14), and tight screw with screwdriver.

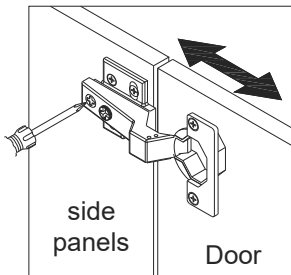
STEP 27



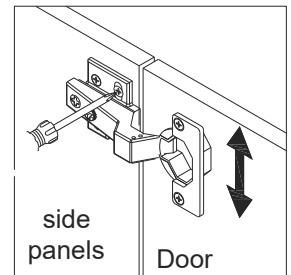
IX. Concealed hinges are three-way adjustable.



Horizontal by
screw adjustment



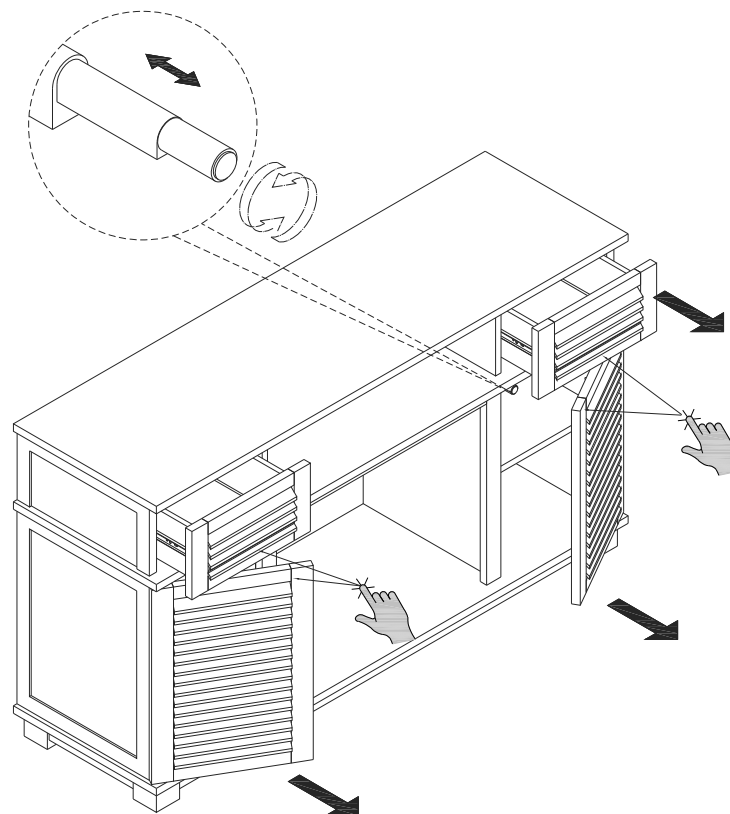
In-and-Out
by loosening the hinge-arm
mounting screw or via cam
adjustment



Vertical
Via slots in the mounting
plate or via cam adjustment


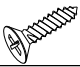
Close the door, if the doors are not at the perfect position , please adjust it as shown.

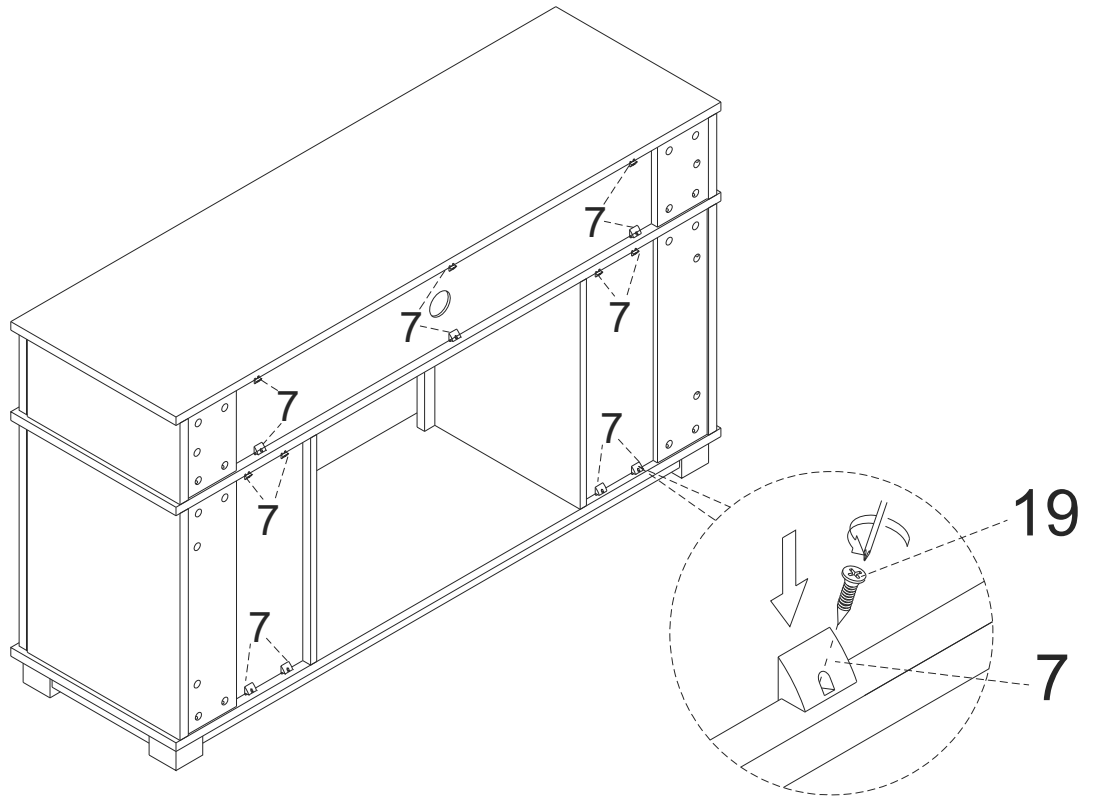
STEP 28



If you can't open the Drawer or Door smoothly, please adjust it as shown.

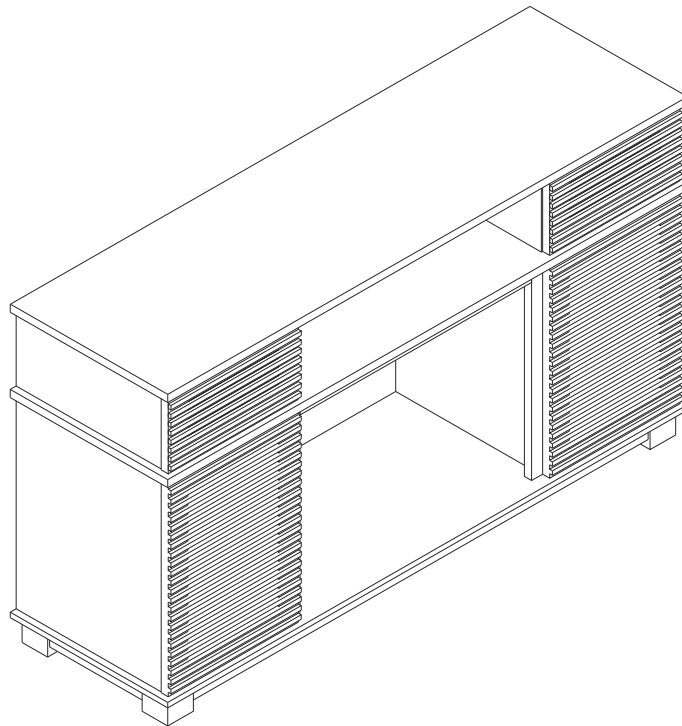
STEP 29

7		X14
19		X14




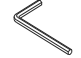

Attach Button(7) to the unit preassembly at step 28 with Screw(19), and tight screw with screwdriver

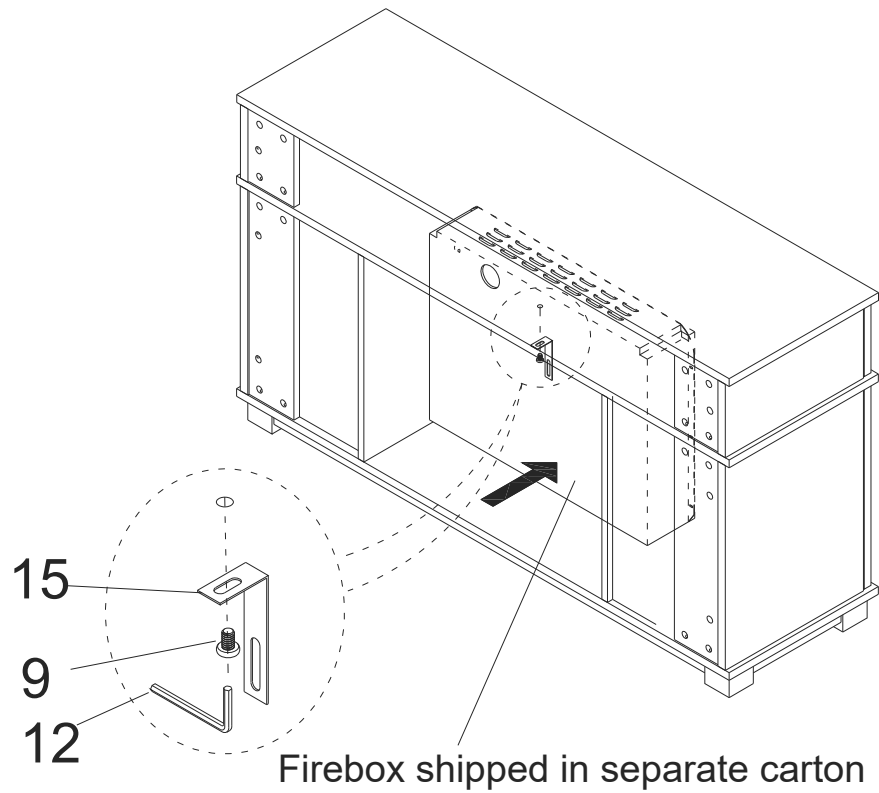
STEP 30



Finish as shown.

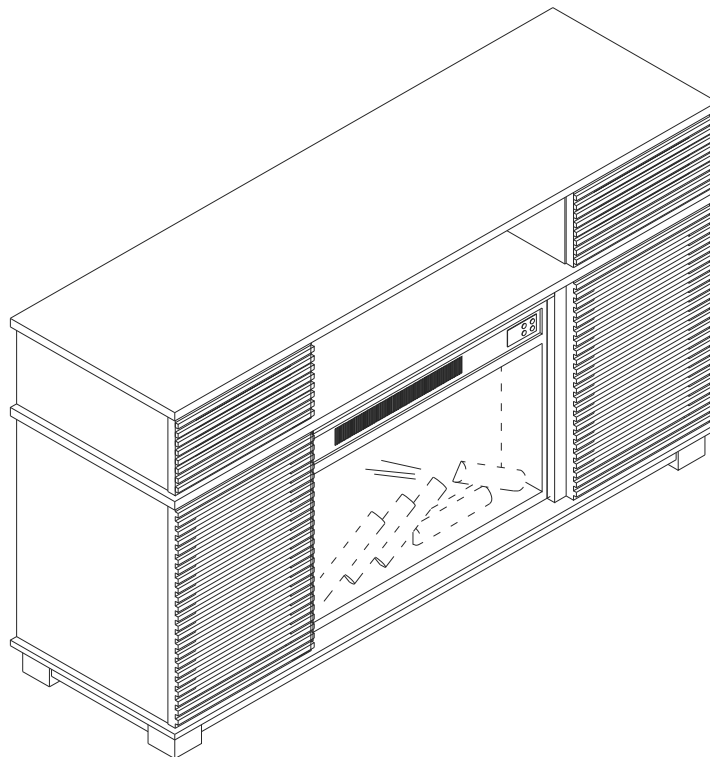
STEP 31

9		X1
12		X1
15		X1




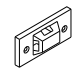
Attach Firebox to the body. with Bracket(15) and bolt(9), tight it with Allen wrench(12).

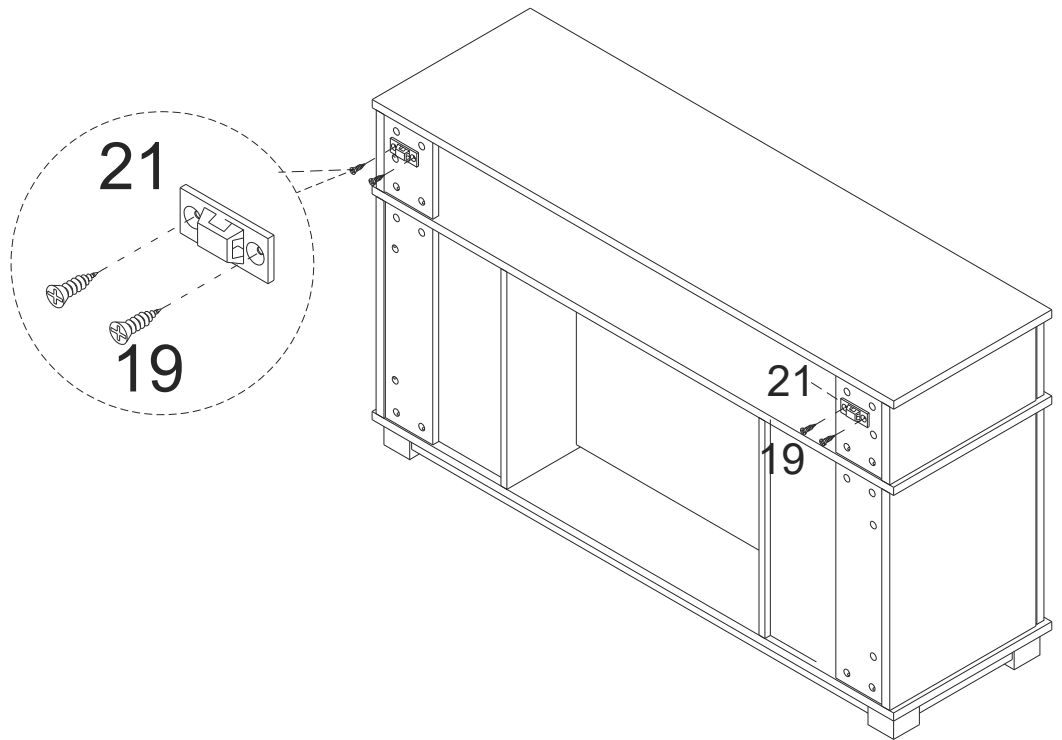
STEP 32



Finish as shown.



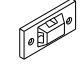
STEP 33

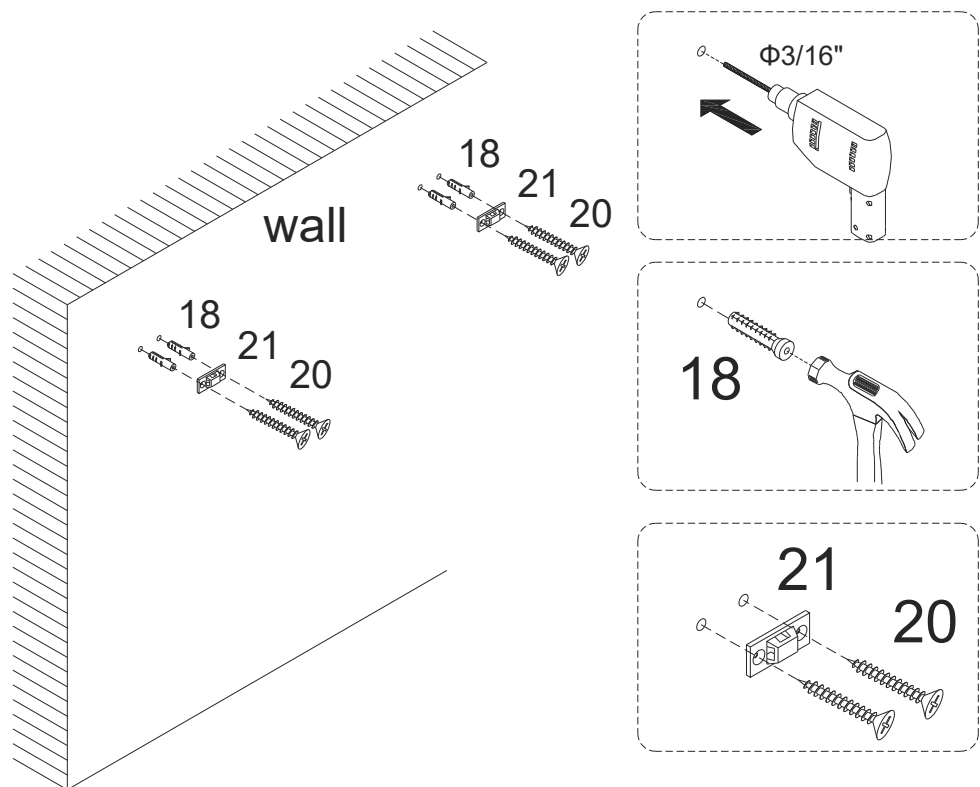
19		X4
21		X2



Attach Bracket(21) to the body with Screw (19), and tight screw with screwdriver

STEP 34

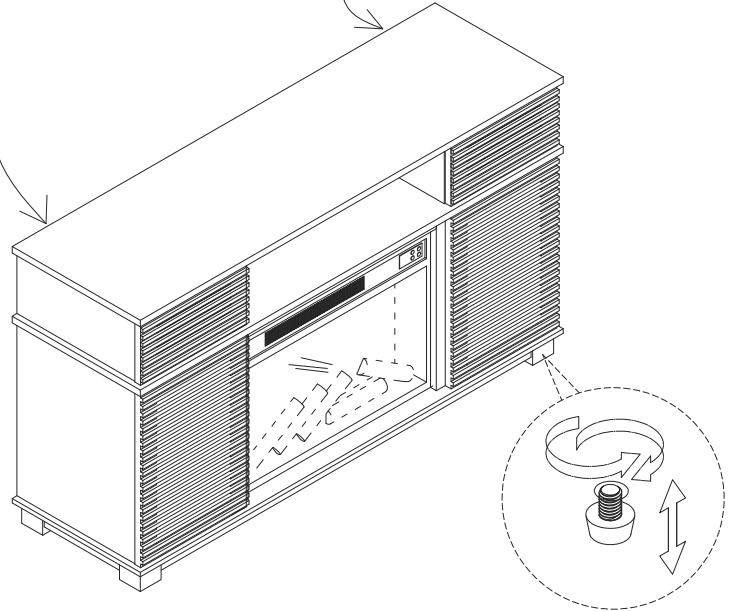
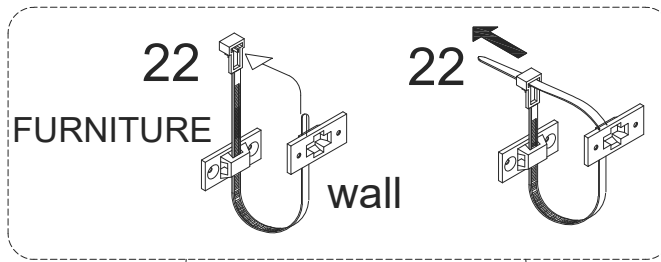
18		X4
20		X4
21		X2



Drill hole on the wall , and insert Anchor(18) , then attach Bracket(21) to it with Screw(20), tight screw with screwdriver.

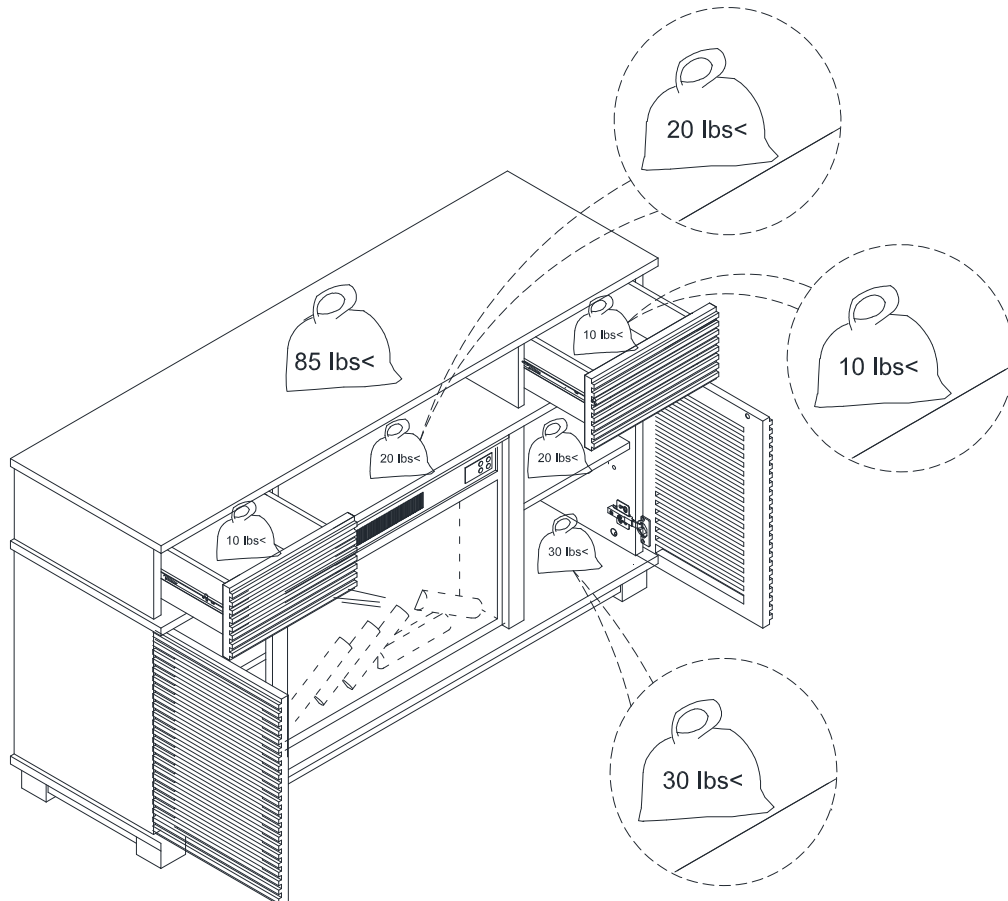
STEP 35

22		X2
----	---	----



Attach the unit to the wall with Tie(22)
Anti-tipping hardware must be used for this
product to avoid tipping and injury. If the unit is
not stable, please adjust the adjustable level.

STEP 36



MAINTENANCE AND WARNING

- Keep furniture away from heat.
- Do not clean furniture with harsh cleansers or polish. Do not use detergents, Solvents, abrasives, spray packs or leather cleaner. Use non-color mild soap with warm water clean spills(Mix 1:10 soap to water)
- Do not place furniture under direct sunlight, material will possibly fade over time.
- Do not use on site dry Cleaning machine.
- Children should not climb or jump on the furniture.
- Do not write on furniture without a padded barrier to protect the surface.
- Not for commercial use, For residential use only.
- The maximum load is 85 LBS.

WARRANTY

We strive to offer high-quality products, and we also try our best to satisfy each and every customer that orders from us with product or service as needed. We provide 30 days warranty starting from the time you receive the item. Each customer must provide a record of their order such as the order number, or item receipt for any items that are out of the warranty period you may also still receive replacement parts by purchasing them with our company if they are available.

Are you having difficulty with assembly? Missing parts? Please send email with your order No to customerservice@hulalahome.com

For return, please check the return policy with the retailer or market place you bought from. Appreciate your purchasing from us. Pop up your life by our furniture piece!