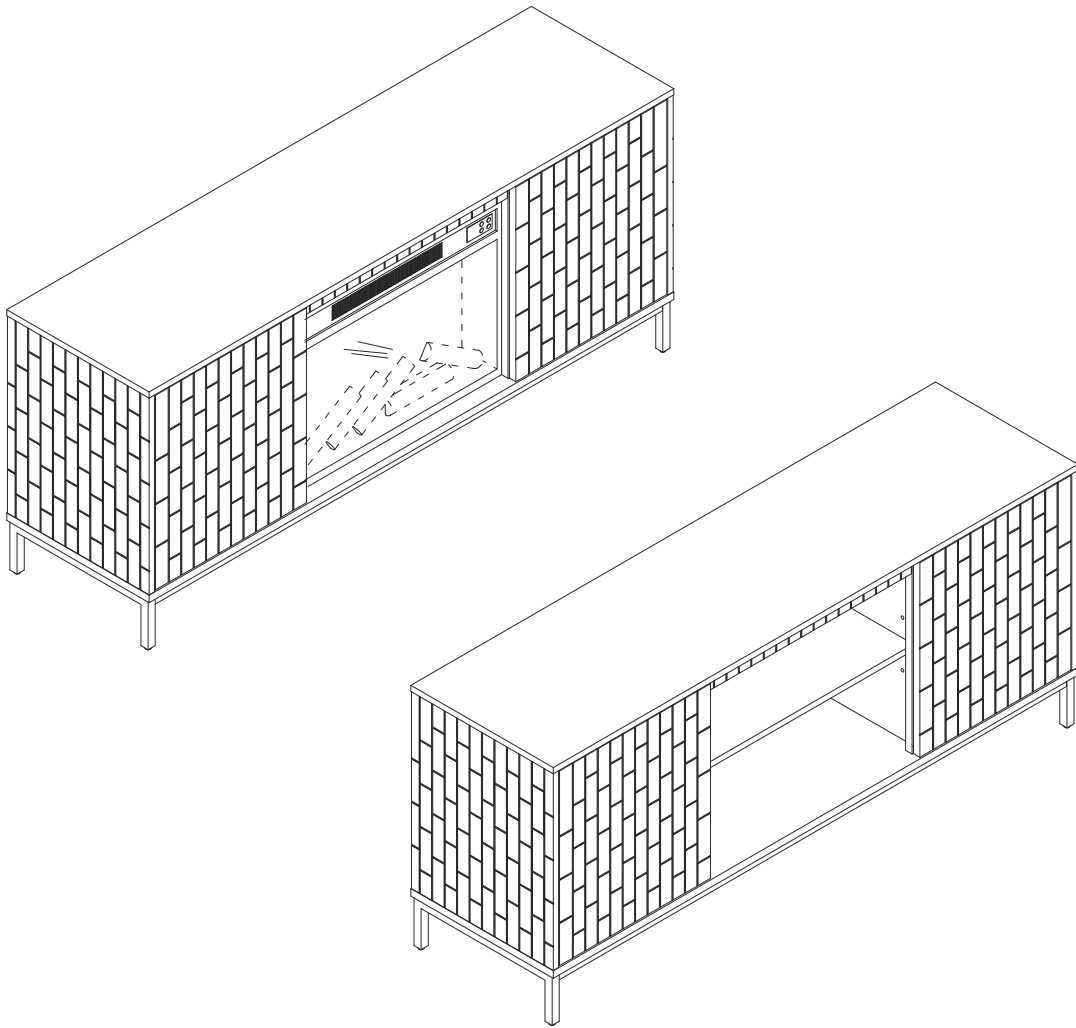


Airam TV Stand with fireplace

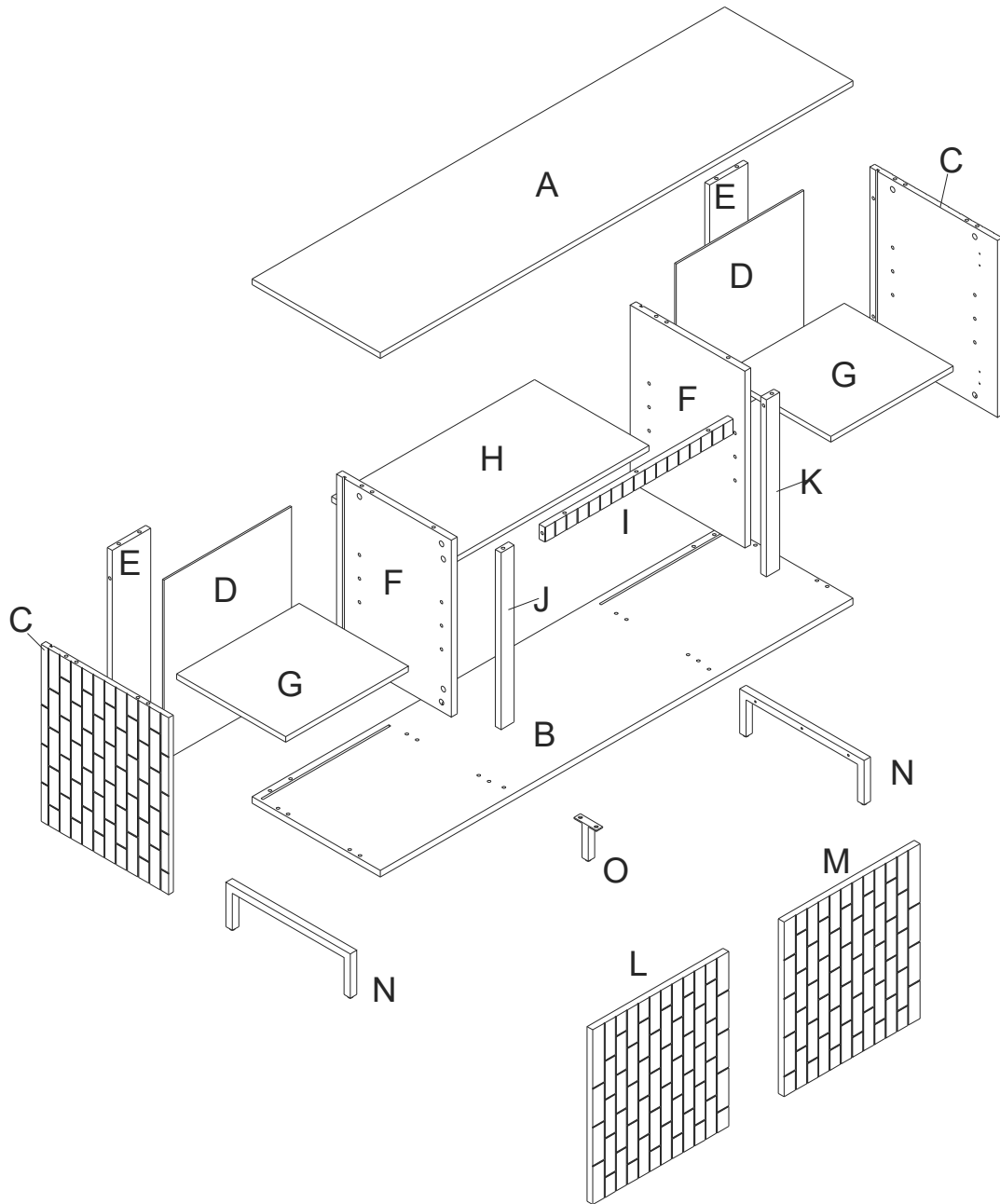


ITEM NO. ZTVJT0286

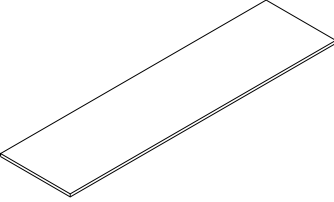
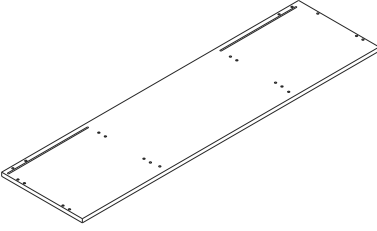
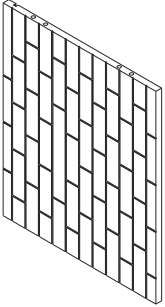
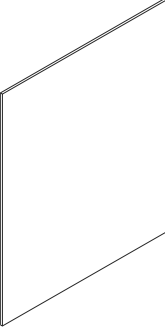

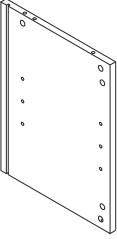
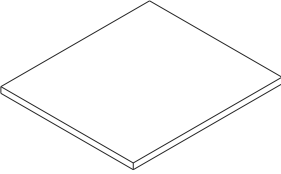
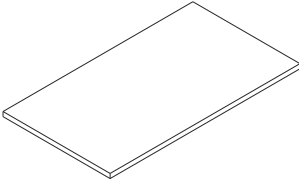
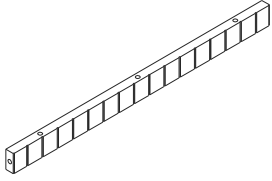


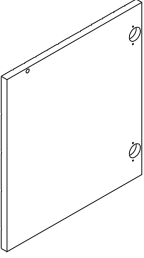
Thank you for purchasing the TV Stand with fireplace.. Please read the instructions and warnings carefully before use, to ensure safe and satisfactory operation of this product. At HULALA home we are committed to making great products possible. From our in-house Design Team, to our Buyers, we work together to bring great designs to life. Our expert Product Technologists work collaboratively with our buyers and suppliers to assure the legality, safety and quality of the product we sell. We are all committed to designing and developing products to the highest industry standards. We hope you are happy with your product and welcome any feedback or comments you may have.

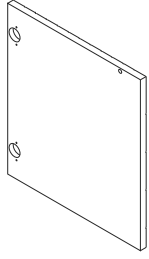
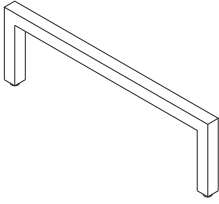
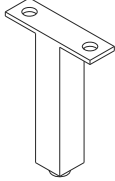
EXPLOSIVE VIEW

ITEM NO. ZTVJT0286

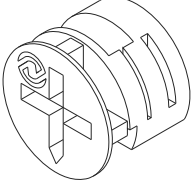
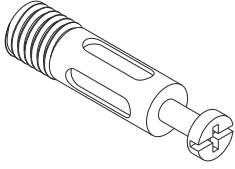
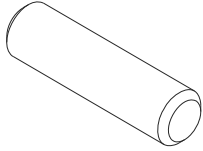
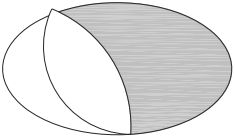
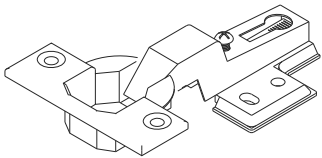
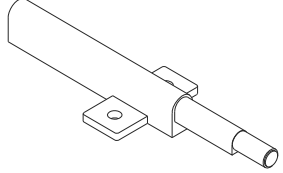
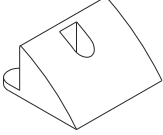
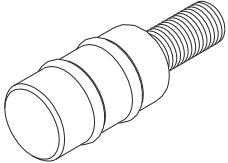
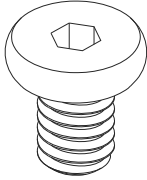


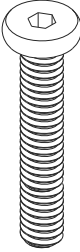
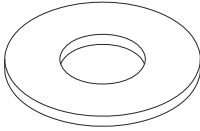
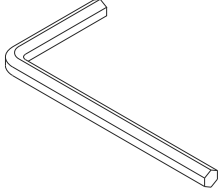
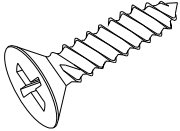
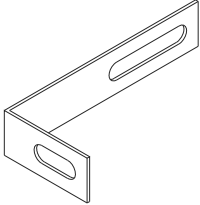
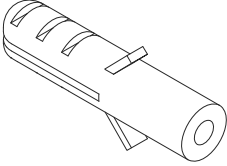
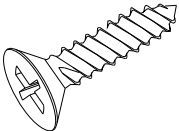
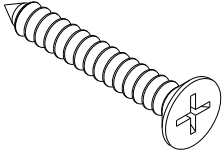
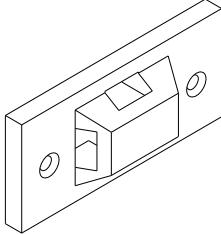
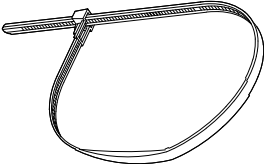
PARTS LIST

<p>A x1</p>  <p>Top Panel</p>	<p>B x1</p>  <p>Bottom Panel</p>	<p>C x2</p>  <p>Side Panel</p>
<p>D x2</p>  <p>Back Panel</p>	<p>E x2</p>  <p>Back Vertical Panel</p>	<p>F x2</p>  <p>Middle Vertical Panel</p>
<p>G x2</p>  <p>Adjustable Side Shelf</p>	<p>H x1</p>  <p>Adjustable Middle Shelf</p>	<p>I x1</p>  <p>Rail</p>
<p>J x1</p>  <p>Left Rail</p>	<p>K x1</p>  <p>Right Rail</p>	<p>L x1</p>  <p>Left Door</p>

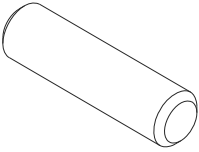
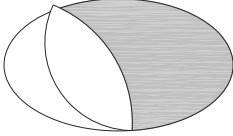
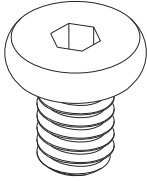
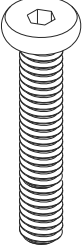
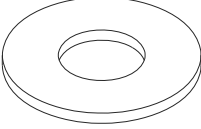
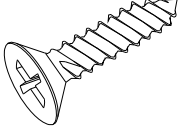
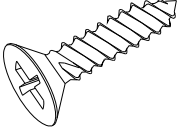
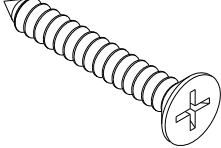
<p>M</p> <p>x1</p>  <p>Right Door</p>	<p>N</p> <p>x2</p>  <p>Leg</p>	<p>O</p> <p>x1</p>  <p>Middle Leg</p>
--	---	--

HARDWARE LIST

<p>1</p> <p>x35</p>  <p>Cam Lock $\varnothing 15 \times 12 \text{mm}$</p>	<p>2</p> <p>x35</p>  <p>Cam Bolt M6*32mm</p>	<p>3</p> <p>x22</p>  <p>Wood Dowel $\varnothing 8 \times 30 \text{mm}$</p>
<p>4</p> <p>x35</p>  <p>Cover $\varnothing 20 \text{mm}$</p>	<p>5</p> <p>x4</p>  <p>Hinge</p>	<p>6</p> <p>x2</p>  <p>Door Stop</p>
<p>7</p> <p>x8</p>  <p>Button</p>	<p>8</p> <p>x12</p>  <p>Shelf Pin</p>	<p>9</p> <p>x3</p>  <p>Blot M6*10mm</p>

<p>10</p>  <p>x6</p> <p>Blot M6*35mm</p>	<p>11</p>  <p>x6</p> <p>Flat Washer M6*ϕ16*1.5mm</p>	<p>12</p>  <p>x1</p> <p>Allen Wrench #4</p>
<p>13</p>  <p>x28</p> <p>Screw M3.5*14mm</p>	<p>14</p>  <p>x1</p> <p>Bracket</p>	<p>15</p>  <p>x4</p> <p>Anchor</p>
<p>16</p>  <p>x12</p> <p>Screw M3*16mm</p>	<p>17</p>  <p>x4</p> <p>Screw M4*35mm</p>	<p>18</p>  <p>x4</p> <p>Bracket</p>
<p>19</p>  <p>x2</p> <p>Tie</p>		





SPARE

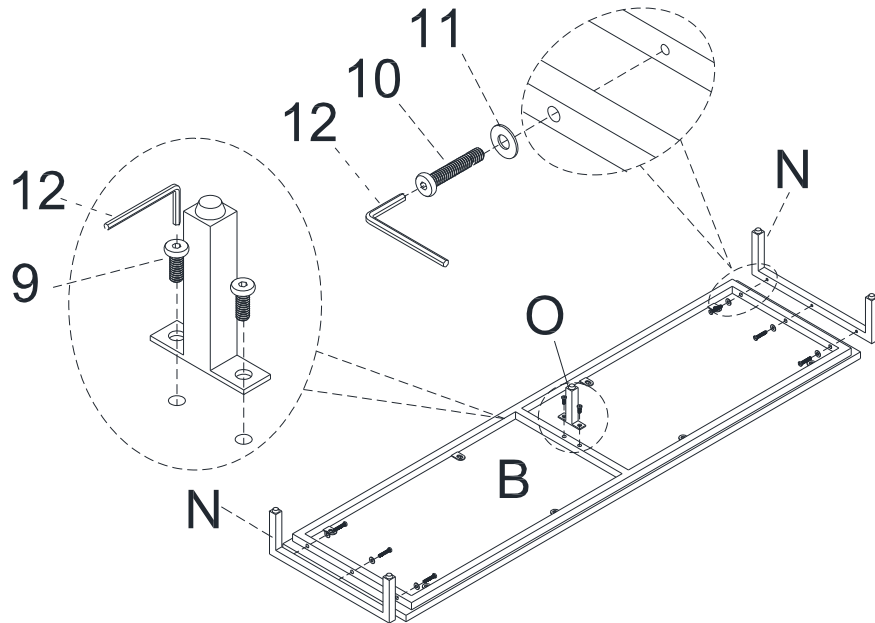
<p>3 x1</p>  <p>Wood Dowel $\varnothing 8 \times 30 \text{mm}$</p>	<p>4 x1</p>  <p>Cover $\varnothing 20 \text{mm}$</p>	<p>9 x1</p>  <p>Blot M6*10mm</p>
<p>10 x1</p>  <p>Blot M6*35mm</p>	<p>11 x1</p>  <p>Flat Washer M6*$\varnothing 16$*1.5mm</p>	<p>13 x1</p>  <p>Screw M3.5*14mm</p>
<p>16 x1</p>  <p>Screw M3*16mm</p>	<p>17 x1</p>  <p>Screw M4*35mm</p>	

Be sure to check all packing material carefully for small parts, which may have come loose inside the carton during shipment.

ASSEMBLY INSTRUCTION



STEP 1

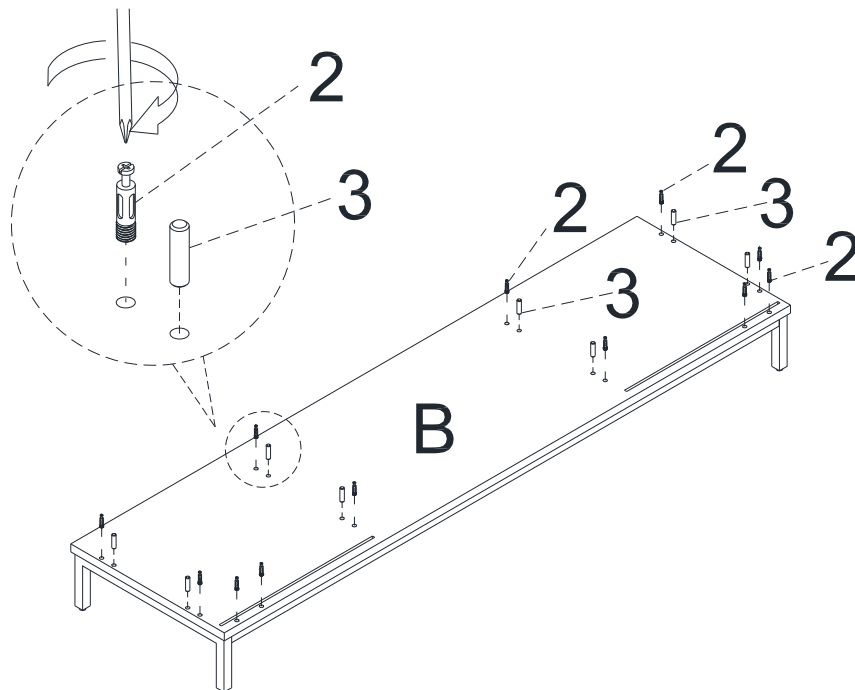
9		X2
10		X6
11		X6
12		X1



Attach Leg(O/N) to frame of Bottom Pane(B) with Bolt(9/10) and Flat Washer(11) as shown, tight it with Allen Wrench(12).

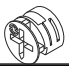
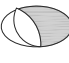
STEP 2

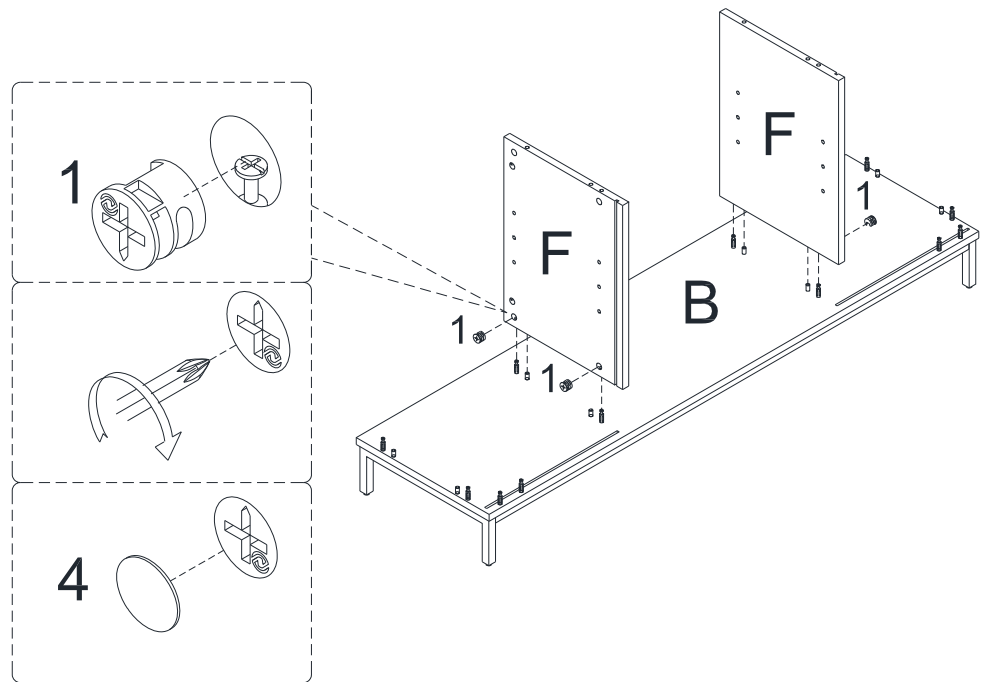
2		X12
3		X8



Attach Cam Bolt(2) and Wood Dowel(3) to Bottom Panel(B) , tight it with screwdriver.


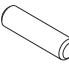
STEP 3

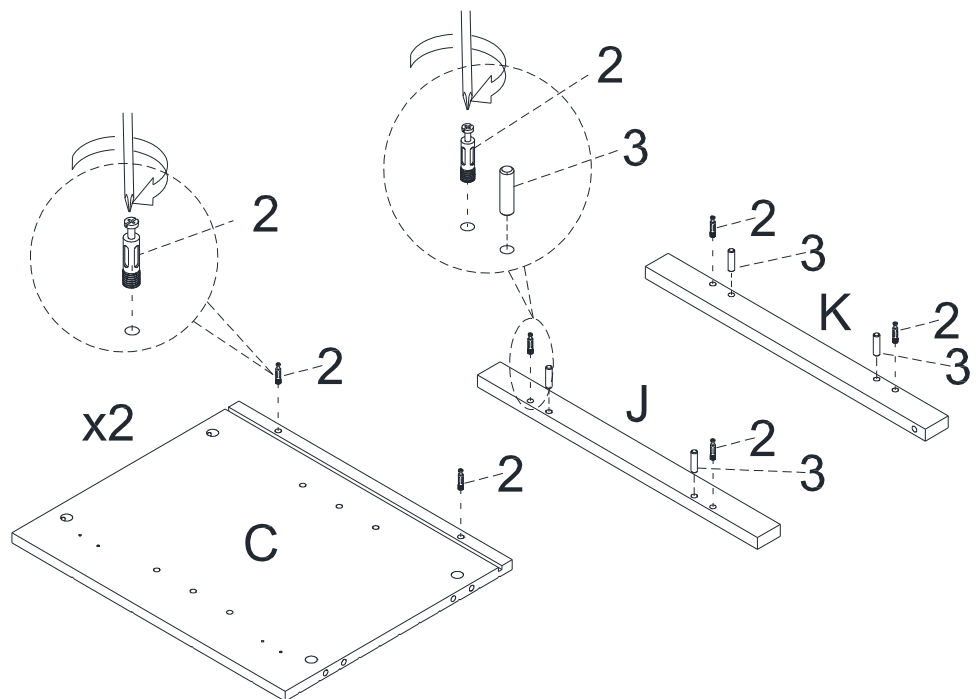
1		X4
4		X4



Attach Middle Vertical Panel(F) to Bottom Panel(B) with Cam Lock (1) and Cover (4) ,tight it with screwdriver.

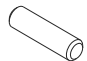
STEP 4

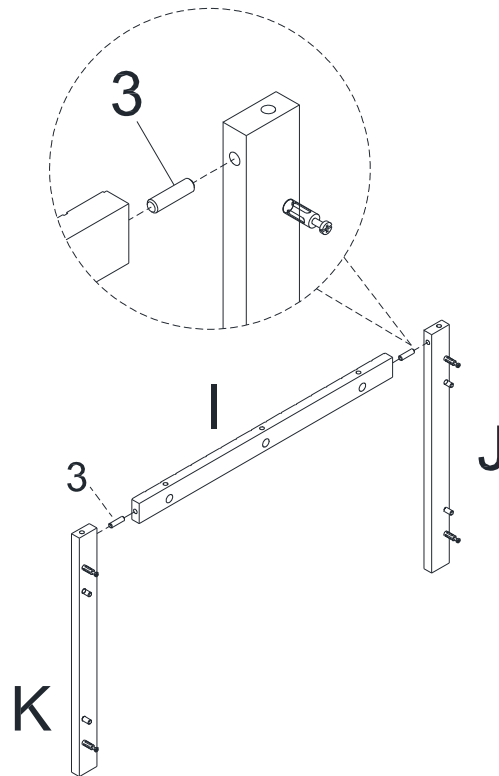
2		X8
3		X4



Attach Cam Bolt(2) to Side Panel(C) ,Attach Cam Bolt(2) and Wood Dowel(3) to Rail(J/K) , tight it with screwdriver.



STEP 5

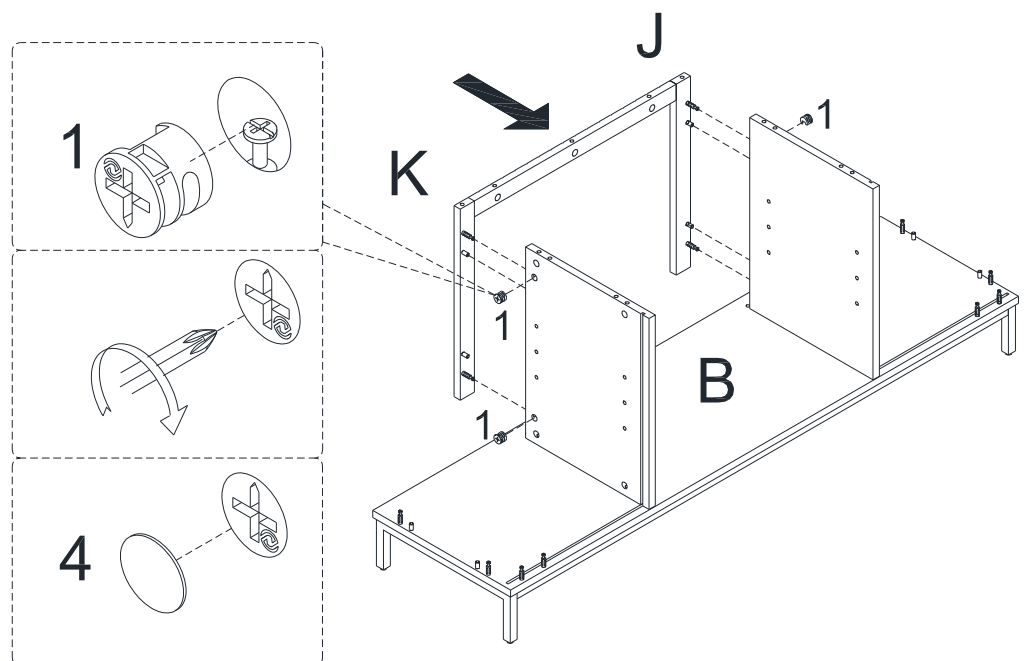
3		X2
---	---	----



Attach Rail(J/K) to Rail(I) with Wood Dowel (3).


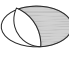
STEP 6

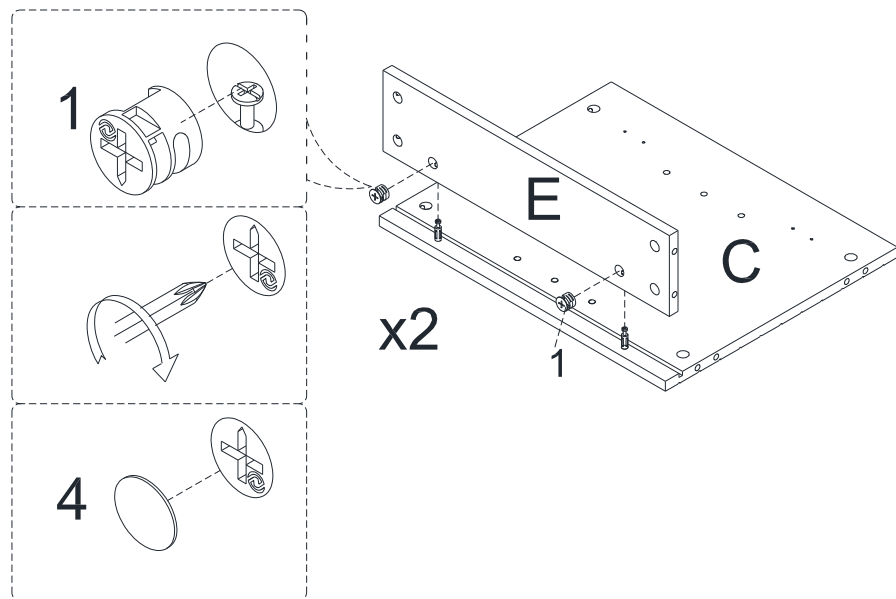
1		X4
4		X4



Attach Rail(J/K) to Bottom Panel(B) with Cam Lock(1) and Cover 4) ,tight it with screwdriver.


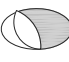
STEP 7

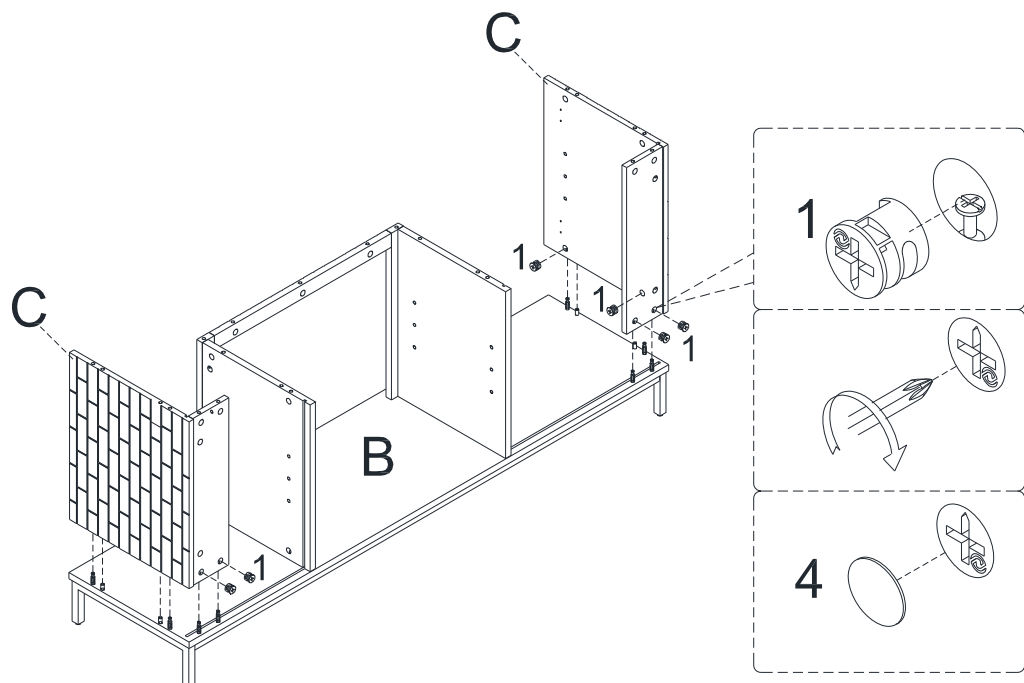
1		X4
4		X4



Attach Back Vertical Panel(E) to Side Panel(C) with Cam Lock(1) and Cover(4) ,tight it with screwdriver.

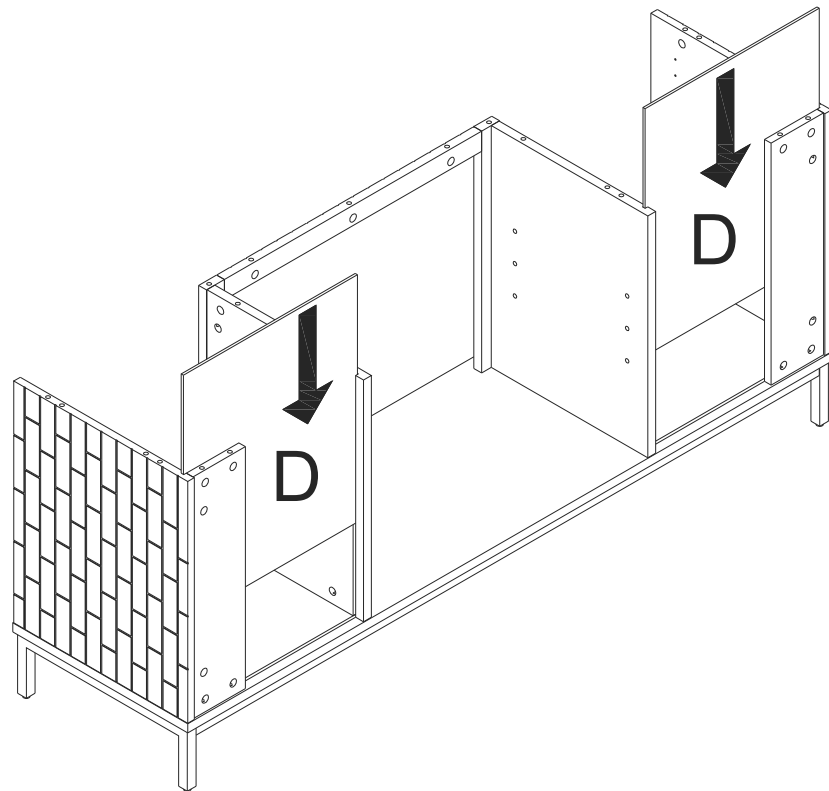
STEP 8

1		X8
4		X8




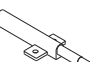

Attach Side Panel(C) to preassemble unit at step 6 with Cam Lock(1) and Cover(4) ,tight it with screwdriver.

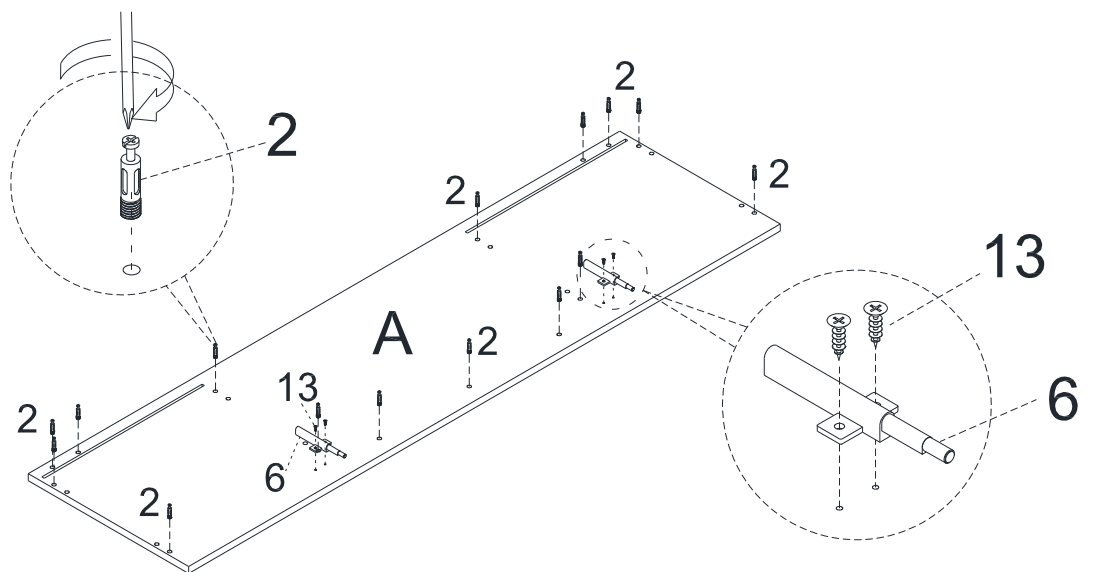
STEP 9



Attach Back Panel(D) to preassemble unit at step 8.

STEP 10

2		X15
6		X2
13		X4

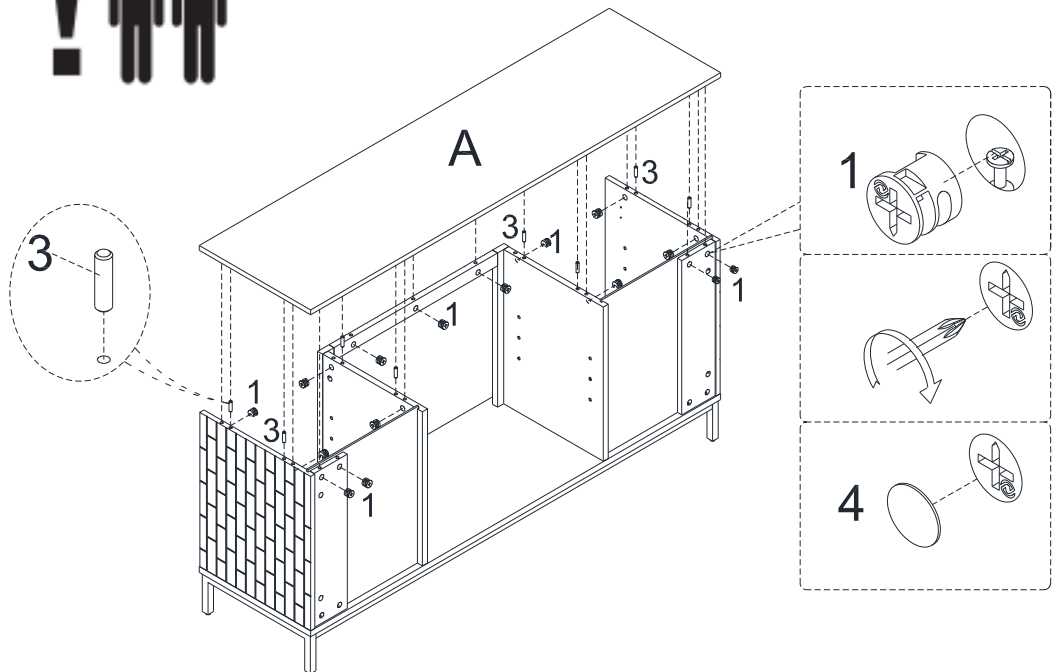


Attach Cam Bolt(2) to Top Panel(A) , Attach Door Stop(6) to Top Panel(A) with Screw(13) , tight it with screwdriver.

STEP 11



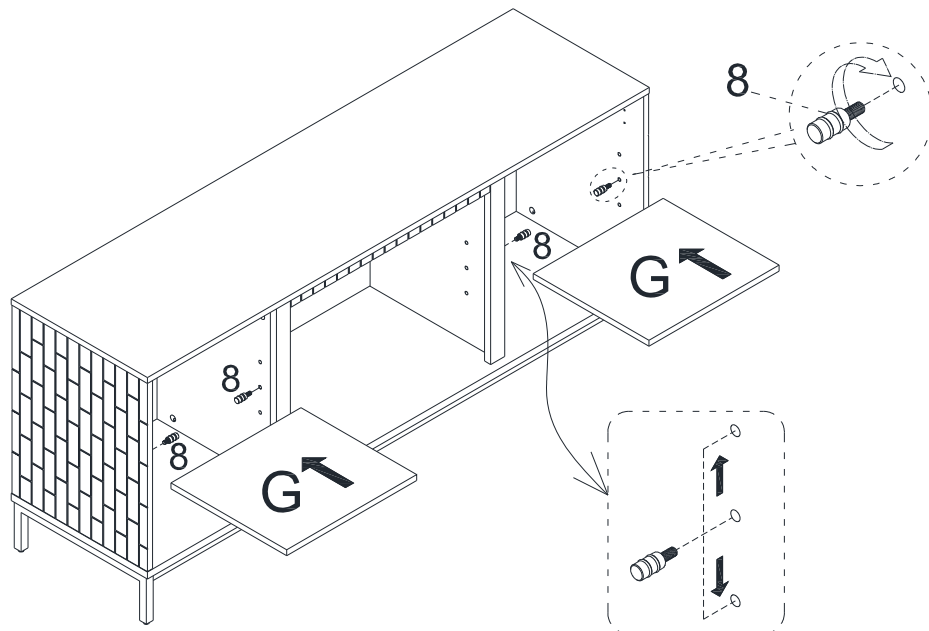
1		X15
3		X8
4		X15



Attach Top Panel(A) to preassemble unit at step 9 with Cam Lock (1) and Cover (4) and Wood Dowel(3) ,tight it with screwdriver.

STEP 12

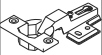
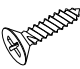
8		X8
---	--	----

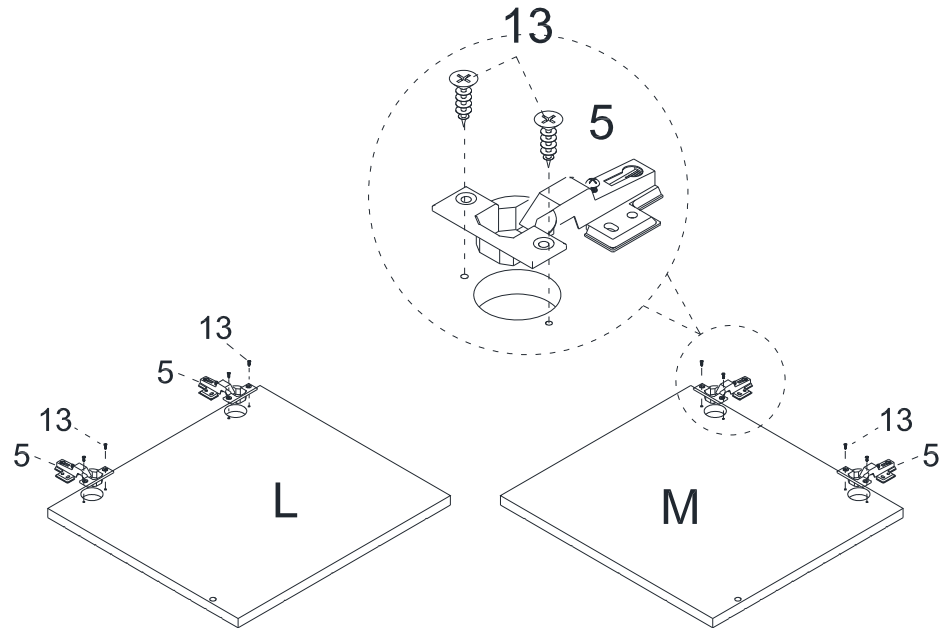


shelf pin can be adjusted up or down

Insert Shelf Pin(8) to preassemble unit at step 11 , And attach Adjustable Shelf (G) to it.


STEP 13

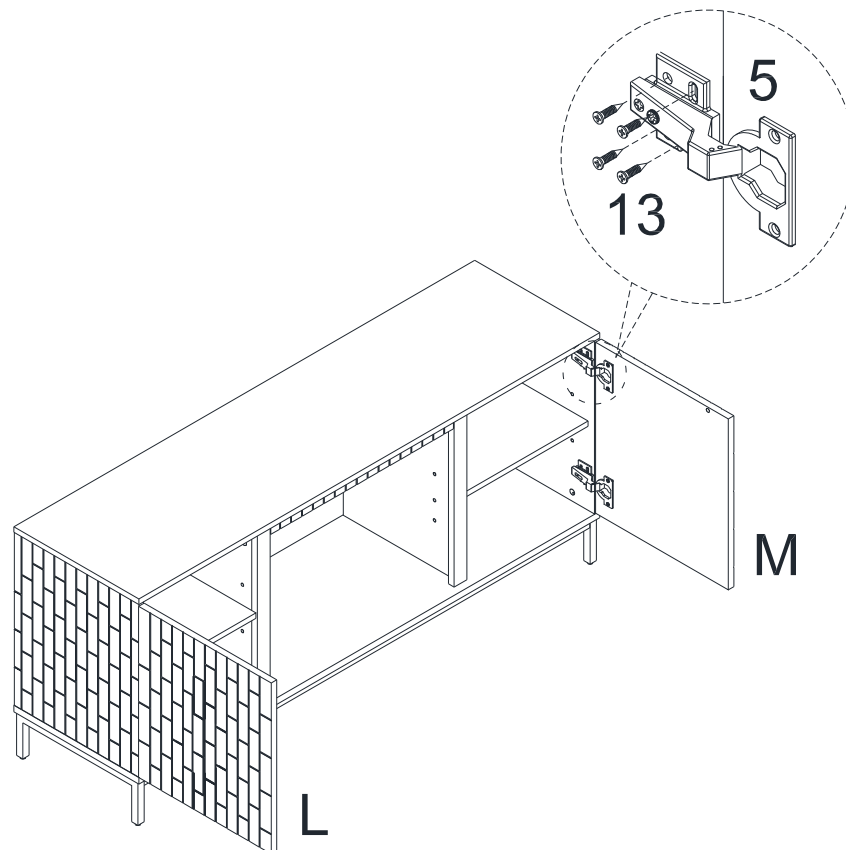
5		X4
13		X8



Attach Hinge(5) to Door(L/M) with Screw(13), then tight screw with screwdriver.

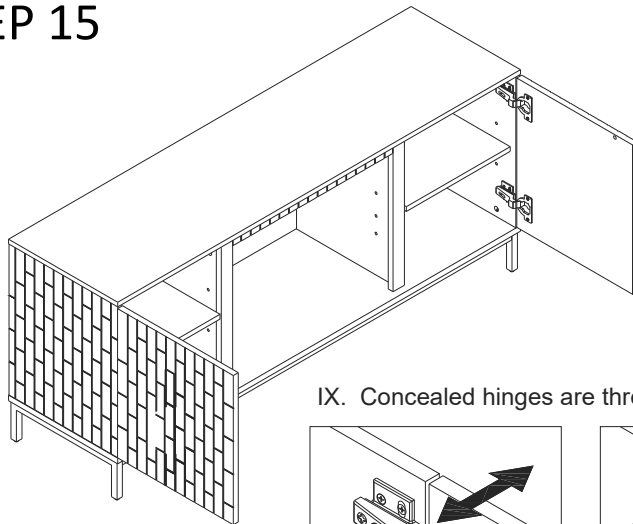
STEP 14

13		x16
----	---	-----

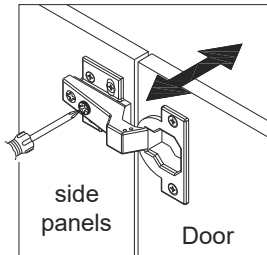


Attach Door(L/M) to the unit preassembly at step 12 with Screw(13), and tight screw with screwdriver

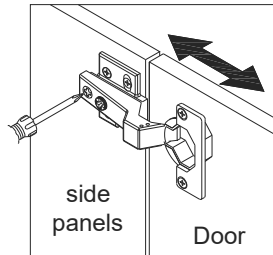
STEP 15



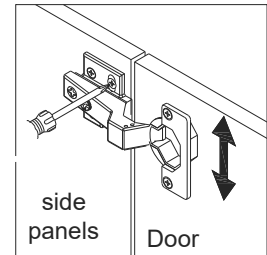
IX. Concealed hinges are three-way adjustable.



side panels
Door
Horizontal by
screw adjustment



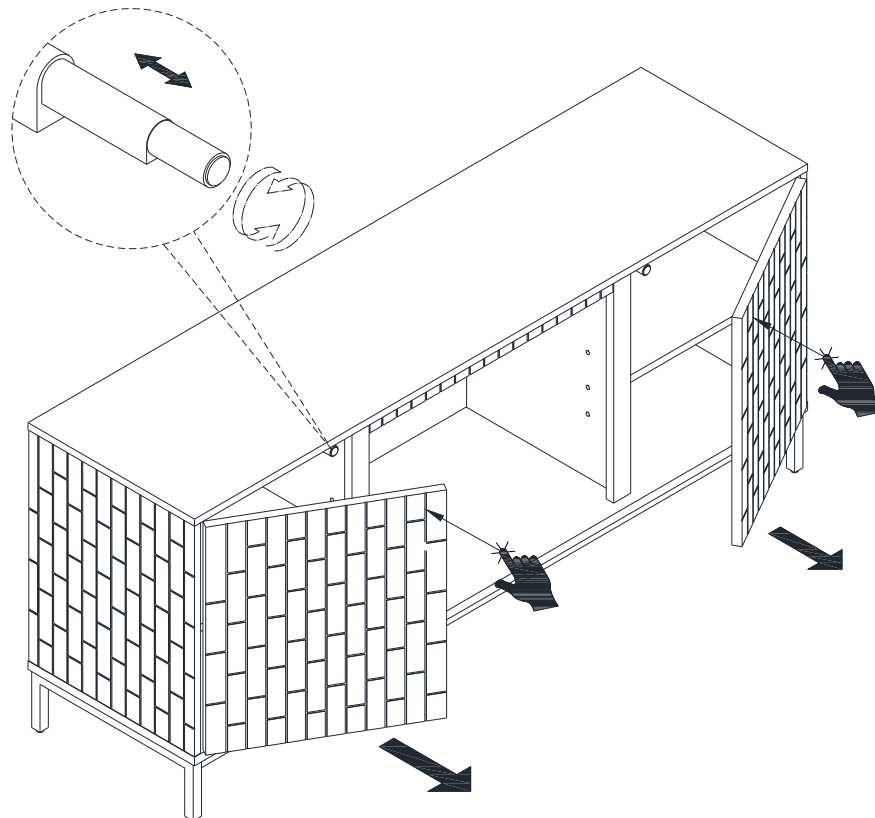
side panels
Door
In-and-Out
by loosening the hinge-arm
mounting screw or via cam
adjustment



side panels
Door
Vertical
Via slots in the mounting
plate or via cam adjustment

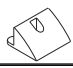

Close the door , if the doors are not at the perfect position , please adjust it as shown.

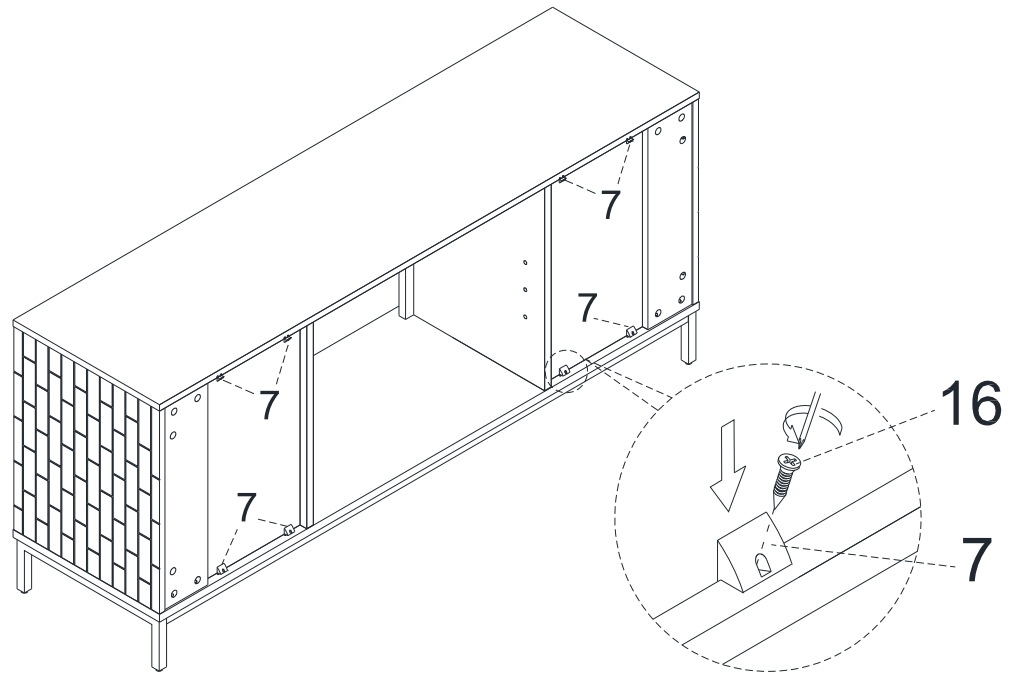
STEP 16



If you can't open the door smoothly, please adjust it as shown.


STEP 17

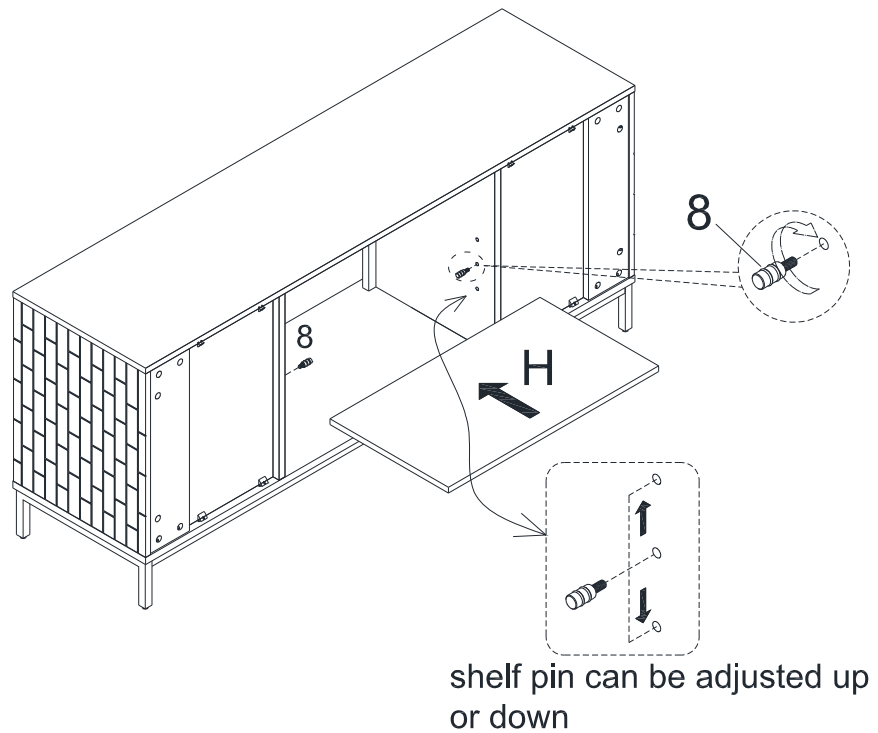
7		X8
16		X8



Attach Button(7) to the unit preassembly at step 16 with Screw(16), and tight screw with screwdriver

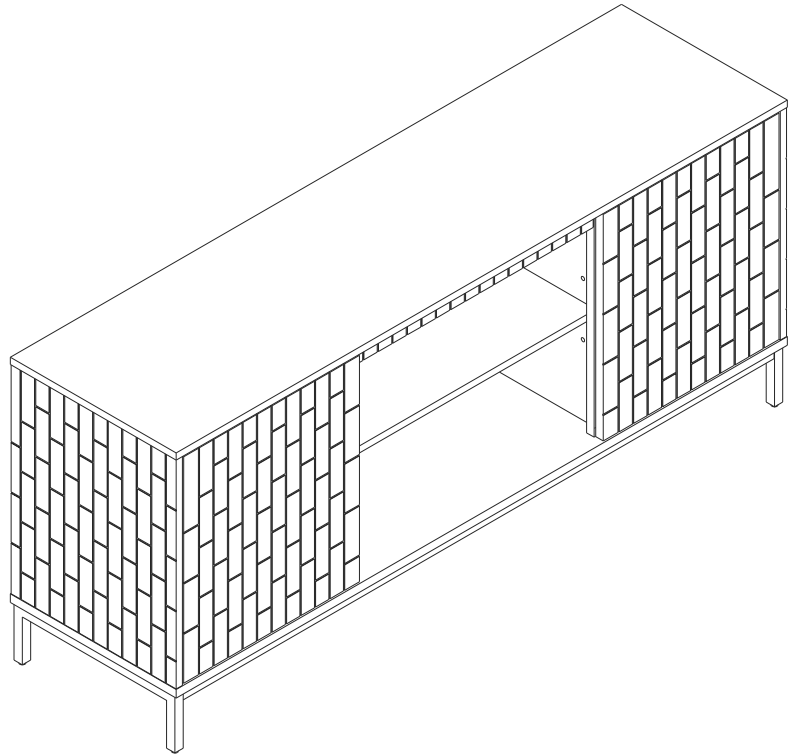
STEP 18

8		X4
---	---	----



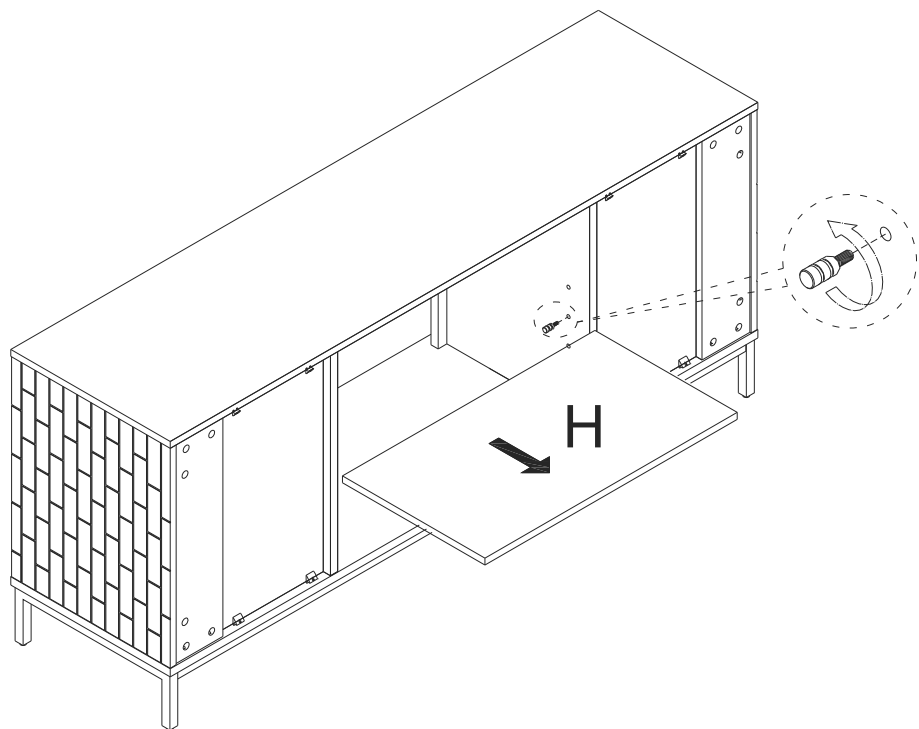
Insert Shelf Pin (8) to preassemble unit at step 17 , and attach Adjustable Shelf (H) to it.

STEP 19






Finish as shown.

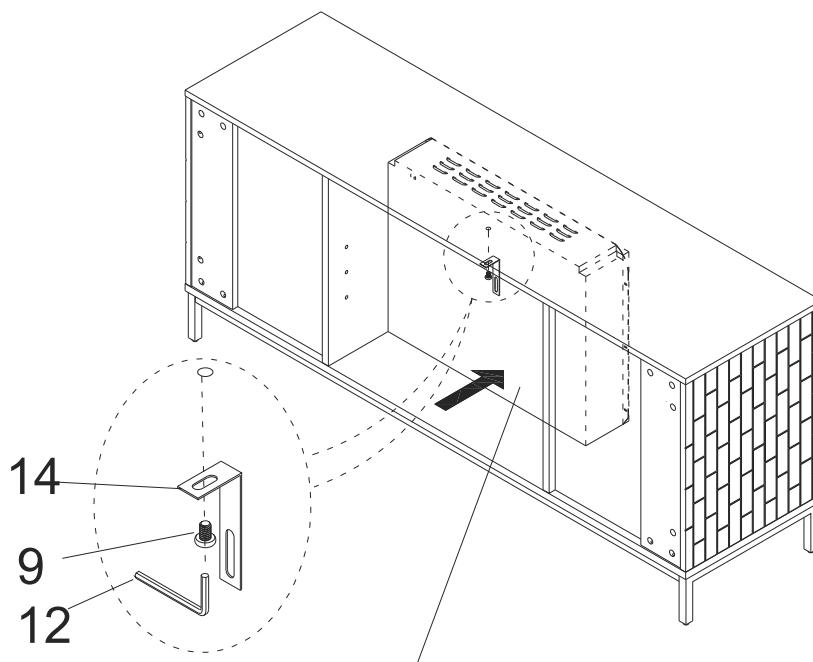
STEP 20



Remove the Middle Shelf panel and Shelf Pin as shown.

STEP 21

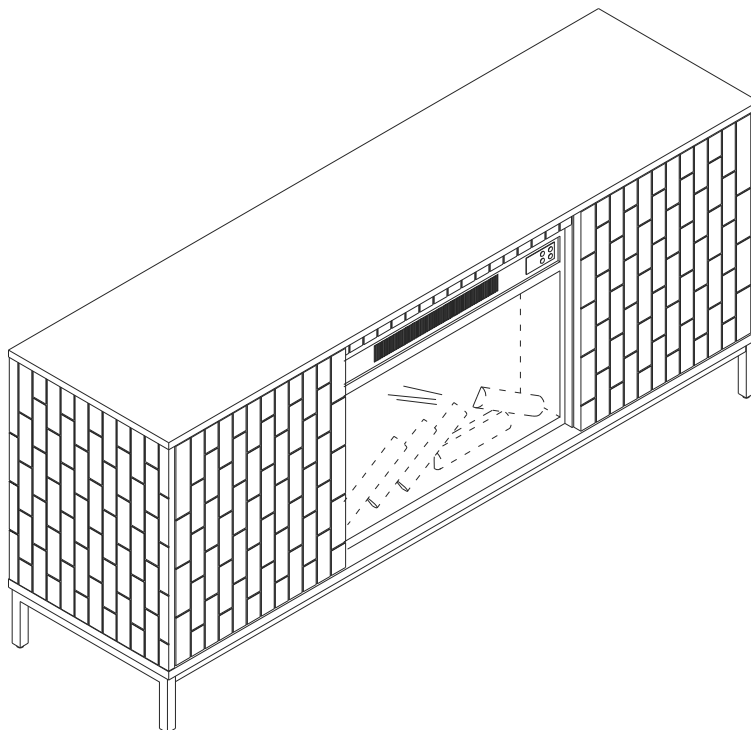
9		X1
12		X1
14		X1



Firebox shipped in separate carton


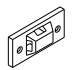
Attach Firebox to the body. with Bracket(14) and Bolt(9), tight it with Allen Wrench(12).

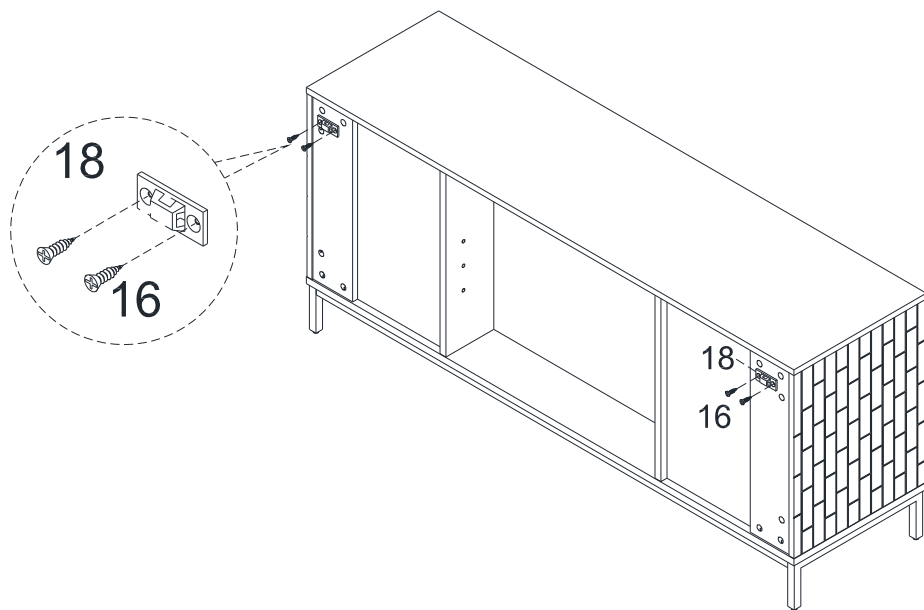
STEP 22



Finish as shown.



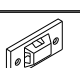
STEP 23

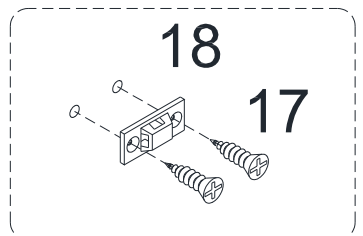
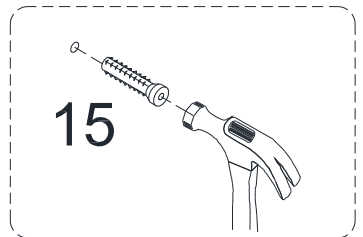
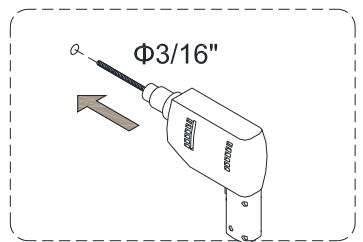
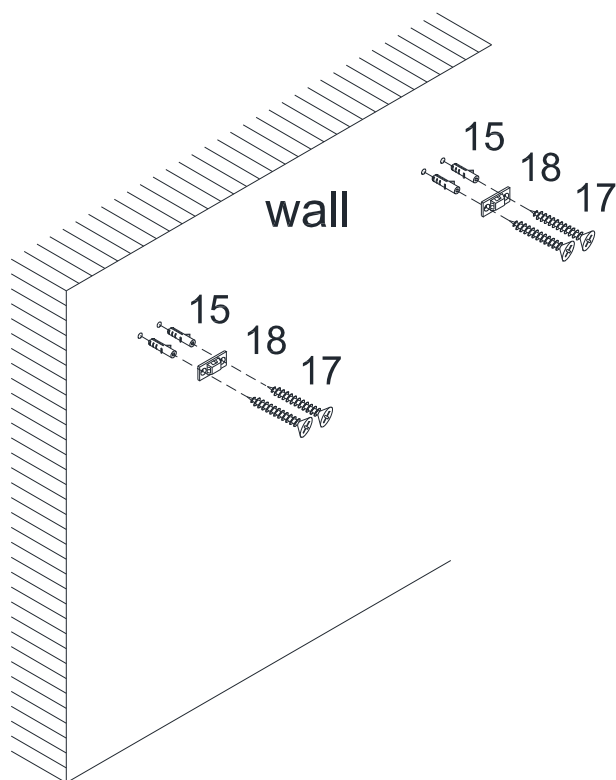
16		X4
18		X2



Attach Bracket(18) to the body. with Screw(16), and tight screw with screwdriver


STEP 24

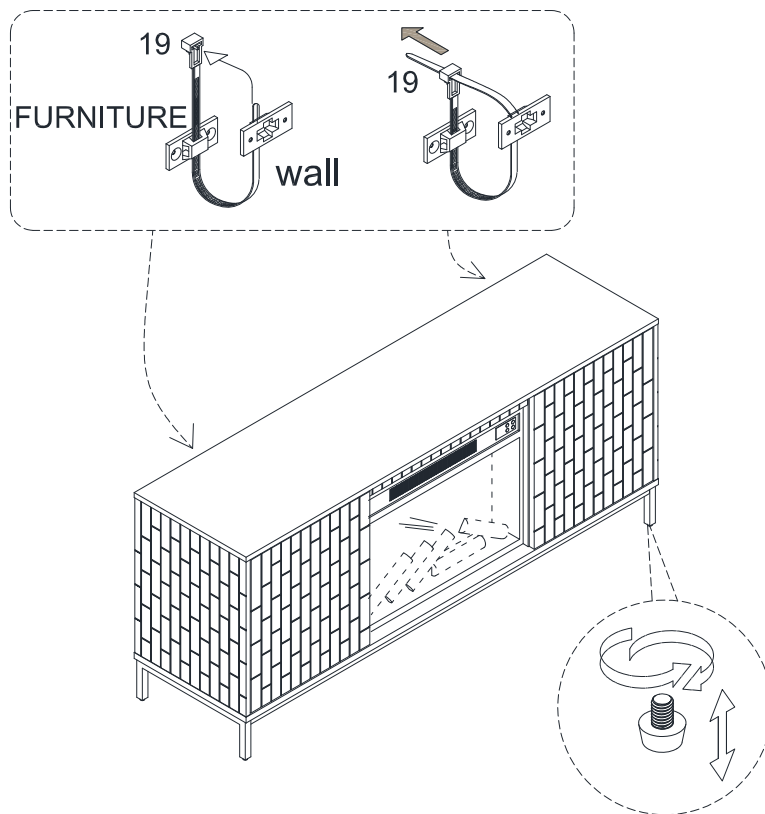
15		X4
17		X4
18		X2



Drill hole on the wall , and insert Anchor(15) , then attach Bracket(18) to it with Screw(17), tight screw with screwdriver.

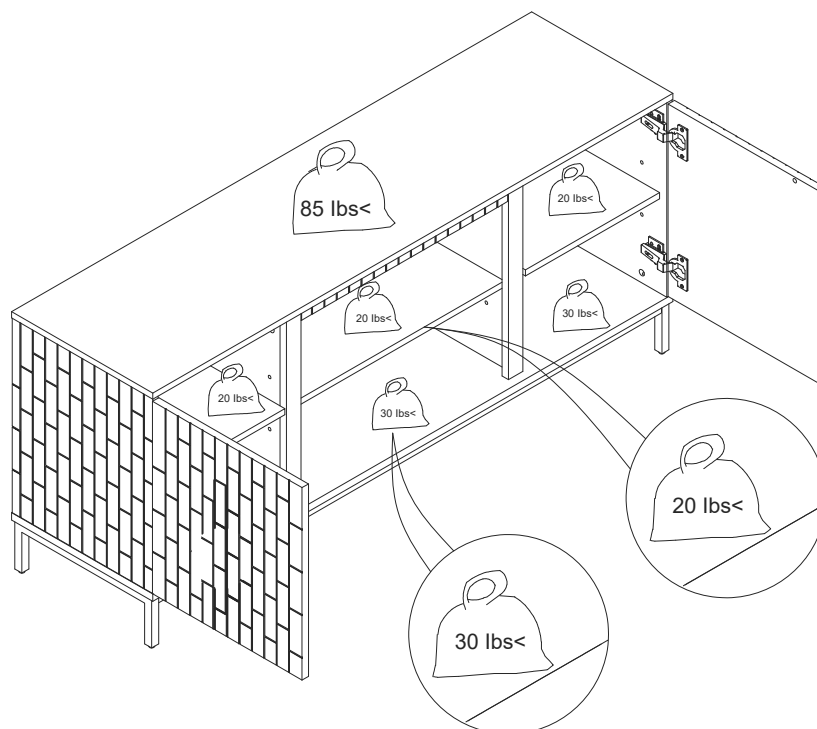
STEP 25

19		X2
----	---	----



Attach the unit to the wall with Tie(19)
Anti-tipping hardware must be used for this
product to avoid tipping and injury.If the unit is
not stable , please adjust the adjustable level.

STEP 26



MAINTENANCE AND WARNING

- Keep furniture away from heat.
- Do not clean furniture with harsh cleansers or polish. Do not use detergents, Solvents, abrasives, spray packs or leather cleaner. Use non-color mild soap with warm water clean spills(Mix 1:10 soap to water)
- Do not place furniture under direct sunlight, material will possibly fade over time.
- Do not use on site dry Cleaning machine.
- Children should not climb or jump on the furniture.
- Do not write on furniture without a padded barrier to protect the surface.
- Not for commercial use, For residential use only.
- The maximum load is 85 LBS.

WARRANTY

We strive to offer high-quality products, and we also try our best to satisfy each and every customer that orders from us with product or service as needed. We provide 30 days warranty starting from the time you receive the item. Each customer must provide a record of their order such as the order number, or item receipt for any items that are out of the warranty period you may also still receive replacement parts by purchasing them with our company if they are available.

Are you having difficulty with assembly? Missing parts? Please send email with your order No to customerservice@hulalahome.com

For return, please check the return policy with the retailer or market place you bought from. Appreciate your purchasing from us. Pop up your life by our furniture piece!